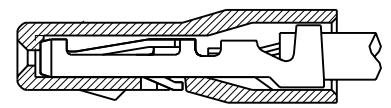
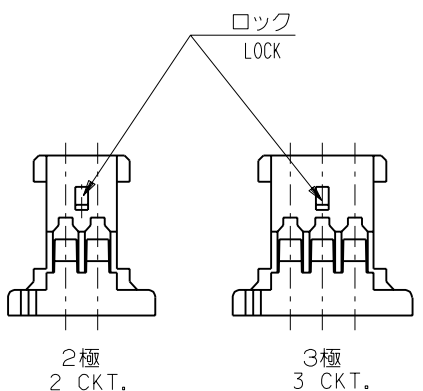
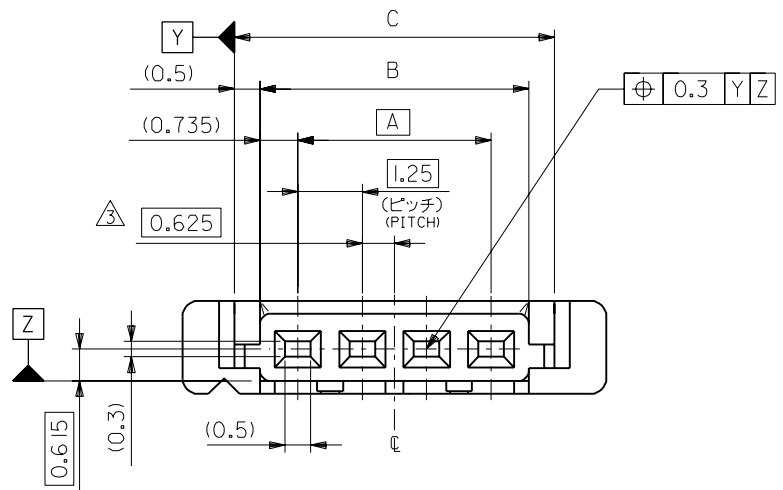


## 阅读申明

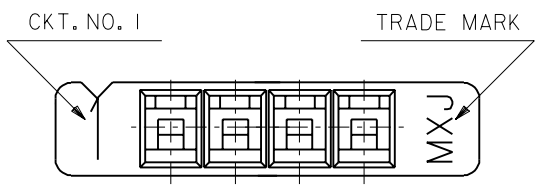
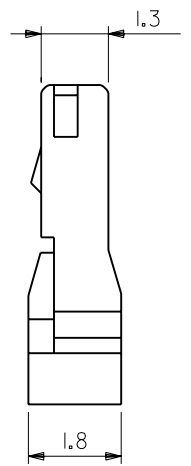
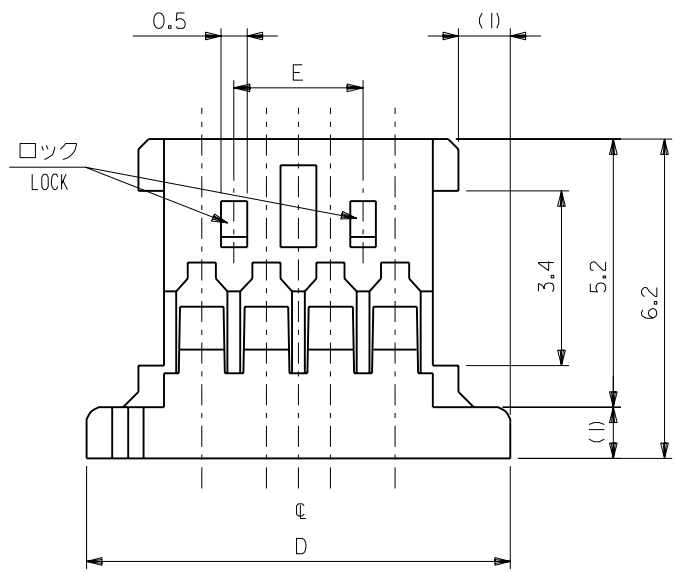
- 1.本站收集的数据手册和产品资料都来自互联网，版权归原作者所有。如读者和版权方有任何异议请及时告之，我们将妥善解决。
- 2.本站提供的中文数据手册是英文数据手册的中文翻译，其目的是协助用户阅读，该译文无法自动跟随原稿更新，同时也可能存在翻译上的不当。建议读者以英文原稿为参考以便获得更精准的信息。
- 3.本站提供的产品资料，来自厂商的技术支持或者使用者的心得体会等，其内容可能存在描述上的差异，建议读者做出适当判断。
- 4.如需与我们联系，请发邮件到marketing@iczoom.com，主题请标有“数据手册”字样。

## Read Statement

1. The datasheets and other product information on the site are all from network reference or other public materials, and the copyright belongs to the original author and original published source. If readers and copyright owners have any objections, please contact us and we will deal with it in a timely manner.
2. The Chinese datasheets provided on the website is a Chinese translation of the English datasheets. Its purpose is for reader's learning exchange only and do not involve commercial purposes. The translation cannot be automatically updated with the original manuscript, and there may also be improper translations. Readers are advised to use the English manuscript as a reference for more accurate information.
3. All product information provided on the website refer to solutions from manufacturers' technical support or users the contents may have differences in description, and readers are advised to take the original article as the standard.
4. If you have any questions, please contact us at marketing@iczoom.com and mark the subject with "Datasheets" .



ターミナル装着状態図  
TERMINAL ASSEMBLY DRAWING



- 注記 NOTES
1. 嵌合相手：53779-\*\*-10, 53780-\*\*-10  
MATES : 53779-\*\*-10, 53780-\*\*-10
  2. 適合ターミナル：50641-8\*\*\*  
APPLICABLE TERMINAL : 50641-8\*\*\*
  3. 偶数極の製品に適用。  
APPLY EVEN CIRCUIT PRODUCTS.

22.50	40.72	38.72	37.72	36.25	51146-3000	30
22.50	38.22	36.22	35.22	33.75	-2800	28
22.50	35.72	33.72	32.72	31.25	-2600	26
22.50	33.22	31.22	30.22	28.75	-2400	24
22.50	30.72	28.72	27.72	26.25	-2200	22
22.50	28.22	26.22	25.22	23.75	-2000	20
20.00	25.72	23.72	22.72	21.25	-1800	18
17.50	23.22	21.22	20.22	18.75	-1600	16
16.25	21.97	19.97	18.97	17.50	-1500	15
15.00	20.72	18.72	17.72	16.25	-1400	14
12.50	18.22	16.22	15.22	13.75	-1200	12
10.00	15.72	13.72	12.72	11.25	-1000	10
8.75	14.47	12.47	11.47	10.00	-0900	9
7.50	13.22	11.22	10.22	8.75	-0800	8
6.25	11.97	9.97	8.97	7.50	-0700	7
5.00	10.72	8.72	7.72	6.25	-0600	6
3.75	9.47	7.47	6.47	5.00	-0500	5
2.50	8.22	6.22	5.22	3.75	-0400	4
	6.97	4.97	3.97	2.50	-0300	3
	5.72	3.72	2.72	1.25	51146-0200	2
E	D	C	B	A	ENG. NO.	CKT.

角度 ANGLE	±3°	C	変更 REVISD (JC70159)	S.M.	Y.M.	96/8/8
30 以上 OVER	+0.3	B	変更 REVISD (JC60810)	S.M.	Y.M.	96/5/8
10 以上 OVER 30 未満 UNDER	+0.25	A	変更 REVISD (JC60541)	S.M.	H.H.	96/2/6
10 未満 UNDER	+0.2	O	新規作成 PROPOSED (JC60428)	Y.M.	H.H.	95/12/25
一般公差 GENERAL TOLERANCES		LTR	変更内容 REVISION RECORD	DR. CHK.	日付 DATE	

材料 MATERIAL	PBTP, UL94V-0
仕上げ FINISH	—
適用電線範囲 WIRE RANGE	—
被覆外径 INS. RANGE	—
DRAWN BY '95/12/25 Y.MIZUNO	CHK'D BY '96/8/20 Y.MIZUNO
APP'D BY '96/8/20 M.FUKUSHIMA	尺度 SCALE 10 : 1

材料 MOLEX-JAPAN CO.,LTD. 日本モレックス株式会社

REVISE ONLY ON CAD SYSTEM

TITLE 名称  
1.25 WIRE TO BOARD  
CONN. HOUSING

DWG. NO. SD-51146-\*\*-00

REV C