

阅读申明

- 1.本站收集的数据手册和产品资料都来自互联网，版权归原作者所有。如读者和版权方有任何异议请及时告之，我们将妥善解决。
- 2.本站提供的中文数据手册是英文数据手册的中文翻译，其目的是协助用户阅读，该译文无法自动跟随原稿更新，同时也可能存在翻译上的不当。建议读者以英文原稿为参考以便获得更精准的信息。
- 3.本站提供的产品资料，来自厂商的技术支持或者使用者的心得体会等，其内容可能存在描述上的差异，建议读者做出适当判断。
- 4.如需与我们联系，请发邮件到marketing@iczoom.com，主题请标有“数据手册”字样。

Read Statement

1. The datasheets and other product information on the site are all from network reference or other public materials, and the copyright belongs to the original author and original published source. If readers and copyright owners have any objections, please contact us and we will deal with it in a timely manner.
2. The Chinese datasheets provided on the website is a Chinese translation of the English datasheets. Its purpose is for reader's learning exchange only and do not involve commercial purposes. The translation cannot be automatically updated with the original manuscript, and there may also be improper translations. Readers are advised to use the English manuscript as a reference for more accurate information.
3. All product information provided on the website refer to solutions from manufacturers' technical support or users the contents may have differences in description, and readers are advised to take the original article as the standard.
4. If you have any questions, please contact us at marketing@iczoom.com and mark the subject with "Datasheets" .

Customer Information Sheet

DRAWING No.: D0XXX-XX

SHEET 2 OF 2

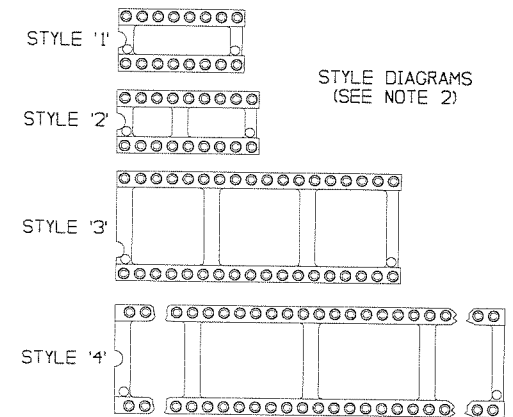
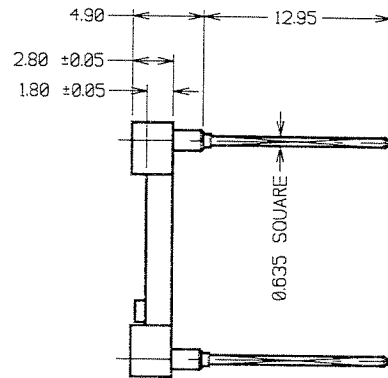
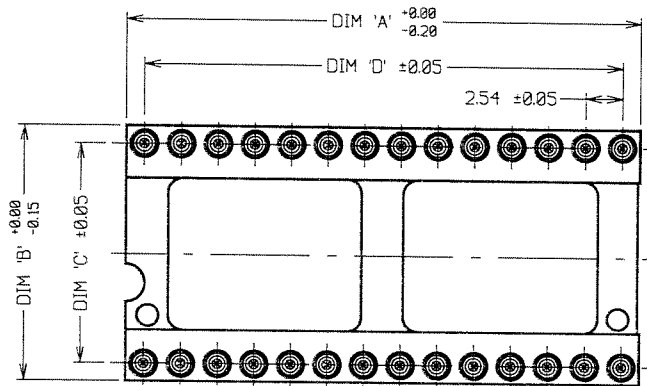
IF IN DOUBT - ASK

(C)

NOT TO SCALE

THIRD ANGLE PROJECTION

ALL DIMENSIONS IN mm



SPECIFICATIONS:

MATERIAL:

MOULDING:

- 01 = GLASS-FILLED PBT, UL94V-0, BLACK
- 42 = GLASS-FILLED PCT, UL94V-0, BLACK
- CONTACT SHELL = BRASS
- CONTACT CLIP = BERYLLIUM COPPER

FINISH:

CONTACT SHELL:

- 01 = 5µ TIN/LEAD OVER NICKEL
- 42 = 5µ 100% TIN OVER NICKEL
- CONTACT CLIP = 0.25µ GOLD OVER NICKEL

ELECTRICAL:

- CURRENT RATING = 1 AMP
- VOLTAGE RATING = 100V AC / 150V DC
- CONTACT RESISTANCE = 10 MILLIOHMS MAX
- INSULATION RESISTANCE = 10,000 MEGOHMS MIN
- DIELECTRIC STRENGTH = 1,000V AC MIN

MECHANICAL:

- DURABILITY = 100 CYCLES
- INSERTION FORCE (0.46mm GAUGE) = 5N MAX
- WITHDRAWAL FORCE (0.46mm GAUGE) = 0.5N MIN

ENVIRONMENTAL:

- TEMPERATURE RANGE = -55°C TO +125°C

FOR COMPLETE SPECIFICATION, SEE COMPONENT SPECIFICATION C004XX (LATEST ISSUE)

NOTES:

1. RECOMMENDED HOLE SIZE = 0.100mm.
2. STYLE REFERS TO NUMBER OF CENTRE BARS ONLY.

PART No.	No. OF WAYS	STYLE (SEE NOTE 2)	DIM 'A'	DIM 'B'	DIM 'C'	DIM 'D'
D0806-XX	6	1	7.60	10.02	7.62	5.08
D0808-XX	8	1	10.10	10.02	7.62	7.62
D0814-XX	14	1	17.70	10.02	7.62	15.24
D0816-XX	16	1	20.30	10.02	7.62	17.78
D0818-XX	18	2	22.80	10.02	7.62	20.32
D0820-XX	20	2	25.30	10.02	7.62	22.86
D0822-XX	22	2	27.80	12.60	10.16	25.40
D0922-XX	22	2	27.80	10.02	7.62	25.40
D0724-XX	24	2	30.40	12.60	10.16	27.94
D0824-XX	24	2	30.40	17.64	15.24	27.94
D0924-XX	24	2	30.40	10.02	7.62	27.94
D0828-XX	28	2	35.50	17.64	15.24	33.02
D0832-XX	32	2	40.60	17.64	15.24	38.10
D0836-XX	36	3	45.70	17.64	15.24	43.18
D0840-XX	40	3	50.80	17.64	15.24	48.26
D0948-XX	48	3	60.90	17.64	15.24	58.42
D0864-XX	64	4	25.40	25.40	22.86	78.74

RA	9	17.01.08	9947
NAME	ISS.	DATE	C/NOTE
APPROVED: <i>[Signature]</i>			
CHECKED: <i>[Signature]</i>			
DRAWN: W. J. BOURNE			
CUSTOMER REF:			
ASSEMBLY DRG:			

ORDER CODE:

D0XXX-XX

PITCH
SEE TABLE

No. OF CONTACTS
SEE TABLE

FINISH:

- 01 - GOLD CLIP, TIN/LEAD SHELL
- 42 - GOLD CLIP, 100% TIN SHELL

HARWIN

HARWIN USA
TEL: 603 893 5376
FAX: 603 893 5396
mis@harwin.com

HARWIN Europe (UK)
TEL: 023 9231 4545
FAX: 023 9231 4590
mis@harwin.co.uk

HARWIN Asia
TEL: +65 6 779 4989
FAX: +65 6 779 3868
mis@harwin.com.sg

THIS DRAWING AND ANY INFORMATION OR DESCRIPTIVE MATTER SET OUT HEREON ARE CONFIDENTIAL AND COPYRIGHT PROPERTY OF THE HARWIN GROUP AND MUST NOT BE DISCLOSED, LOANED, COPIED OR USED FOR MANUFACTURING, TENDERING OR FOR ANY OTHER PURPOSE WITHOUT THEIR WRITTEN PERMISSION.

TOLERANCES
X. = ±1mm
X.X = ±0.25mm
X.XX = ±0.10mm
X.XXX = ±0.01mm
ANGLES = ±5°
UNLESS STATED

MATERIAL:
SEE ABOVE
FINISH: SEE ABOVE
S/AREA: mm²

TITLE:
IC SOCKET WIRE WRAP ASSEMBLY (3-LEVEL)

DRAWING NUMBER:

D0XXX-XX

SHT
2
OF
2