

## 阅读申明

- 1.本站收集的数据手册和产品资料都来自互联网，版权归原作者所有。如读者和版权方有任何异议请及时告之，我们将妥善解决。
- 2.本站提供的中文数据手册是英文数据手册的中文翻译，其目的是协助用户阅读，该译文无法自动跟随原稿更新，同时也可能存在翻译上的不当。建议读者以英文原稿为参考以便获得更精准的信息。
- 3.本站提供的产品资料，来自厂商的技术支持或者使用者的心得体会等，其内容可能存在描述上的差异，建议读者做出适当判断。
- 4.如需与我们联系，请发邮件到marketing@iczoom.com，主题请标有“数据手册”字样。

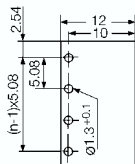
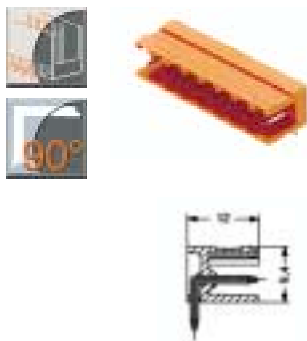
## Read Statement

1. The datasheets and other product information on the site are all from network reference or other public materials, and the copyright belongs to the original author and original published source. If readers and copyright owners have any objections, please contact us and we will deal with it in a timely manner.
2. The Chinese datasheets provided on the website is a Chinese translation of the English datasheets. Its purpose is for reader's learning exchange only and do not involve commercial purposes. The translation cannot be automatically updated with the original manuscript, and there may also be improper translations. Readers are advised to use the English manuscript as a reference for more accurate information.
3. All product information provided on the website refer to solutions from manufacturers' technical support or users the contents may have differences in description, and readers are advised to take the original article as the standard.
4. If you have any questions, please contact us at marketing@iczoom.com and mark the subject with "Datasheets" .

# Unimate Range - SLA/BLA



## Pin headers SLA 5.08/90



Technical data	VDE	UL	CSA
<b>Rated voltage (V)</b>	250*	300	300
<b>Rated current (A)</b>	10	10	10

\*Pollution severity 3 / Overvoltage category III  
Additional technical data see page 227

**Solder pin length** 4.5 mm

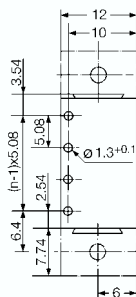
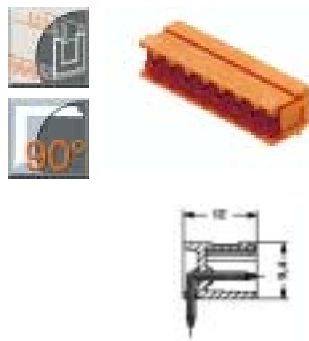
### Color



Poles	Type	Part No.	Qty.
2	SLA 5.08/2/90	1346860000	100
3	SLA 5.08/3/90	1346960000	100
4	SLA 5.08/4/90	1347060000	100
5	SLA 5.08/5/90	1347160000	50
6	SLA 5.08/6/90	1347260000	50
7	SLA 5.08/7/90	1347360000	50
8	SLA 5.08/8/90	1347460000	50
9	SLA 5.08/9/90	1347560000	50
10	SLA 5.08/10/90	1347660000	50
11	SLA 5.08/11/90	1347760000	50
12	SLA 5.08/12/90	1347860000	50
13	SLA 5.08/13/90	1347960000	50
14	SLA 5.08/14/90	1348060000	50
15	SLA 5.08/15/90	1348160000	50
16	SLA 5.08/16/90	1348260000	50
17	SLA 5.08/17/90	1348360000	20
18	SLA 5.08/18/90	1348460000	20
19	SLA 5.08/19/90	1348560000	20
20	SLA 5.08/20/90	1348660000	20
21	SLA 5.08/21/90	1348760000	20
22	SLA 5.08/22/90	1348860000	20
23	SLA 5.08/23/90	1348960000	20
24	SLA 5.08/24/90	1349060000	20

Accessories	Page
Mounting	-
Marking	190
Coding	193
Miscellaneous	199

## Pin headers SLA 5.08/90B



Technical data	VDE	UL	CSA
<b>Rated voltage (V)</b>	250*	300	300
<b>Rated current (A)</b>	10	10	10

\*Pollution severity 3 / Overvoltage category III  
Additional technical data see page 227

**Solder pin length** 4.5 mm

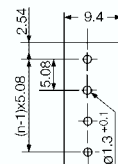
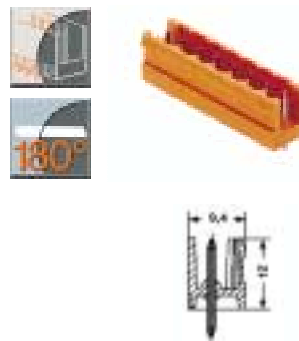
### Color



Poles	Type	Part No.	Qty.
2	SLA 5.08/2/90B	1351460000	100
3	SLA 5.08/3/90B	1351560000	100
4	SLA 5.08/4/90B	1351660000	100
5	SLA 5.08/5/90B	1351760000	50
6	SLA 5.08/6/90B	1351860000	50
7	SLA 5.08/7/90B	1351960000	50
8	SLA 5.08/8/90B	1352060000	50
9	SLA 5.08/9/90B	1352160000	50
10	SLA 5.08/10/90B	1352260000	50
11	SLA 5.08/11/90B	1352360000	50
12	SLA 5.08/12/90B	1352460000	50
13	SLA 5.08/13/90B	1352560000	50
14	SLA 5.08/14/90B	1352660000	50
15	SLA 5.08/15/90B	1352760000	50
16	SLA 5.08/16/90B	1352860000	50
17	SLA 5.08/17/90B	1352960000	20
18	SLA 5.08/18/90B	1353060000	20
19	SLA 5.08/19/90B	1353160000	20
20	SLA 5.08/20/90B	1353260000	20
21	SLA 5.08/21/90B	1353360000	20
22	SLA 5.08/22/90B	1353460000	20
23	SLA 5.08/23/90B	1353560000	20
24	SLA 5.08/24/90B	1353660000	20

Accessories	Page
Mounting	187*
Marking	190
Coding	193
Miscellaneous	199

## Pin headers SLA 5.08/180



Technical data	VDE	UL	CSA
<b>Rated voltage (V)</b>	250*	300	300
<b>Rated current (A)</b>	10	10	10

\*Pollution severity 3 / Overvoltage category III  
Additional technical data see page 227

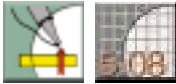
**Solder pin length** 4.5 mm

### Color

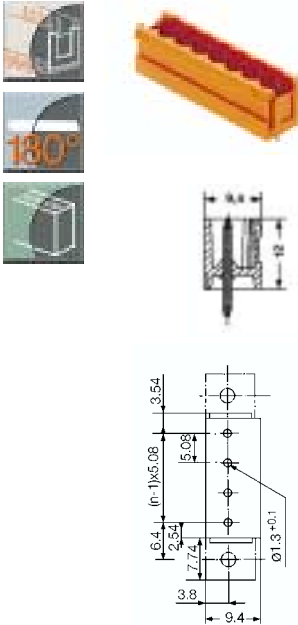


Poles	Type	Part No.	Qty.
2	SLA 5.08/2/180	1349160000	100
3	SLA 5.08/3/180	1349260000	100
4	SLA 5.08/4/180	1349360000	100
5	SLA 5.08/5/180	1349460000	50
6	SLA 5.08/6/180	1349560000	50
7	SLA 5.08/7/180	1349660000	50
8	SLA 5.08/8/180	1349760000	50
9	SLA 5.08/9/180	1349860000	50
10	SLA 5.08/10/180	1349960000	50
11	SLA 5.08/11/180	1350060000	50
12	SLA 5.08/12/180	1350160000	50
13	SLA 5.08/13/180	1350260000	50
14	SLA 5.08/14/180	1350360000	50
15	SLA 5.08/15/180	1350460000	50
16	SLA 5.08/16/180	1350560000	50
17	SLA 5.08/17/180	1350660000	20
18	SLA 5.08/18/180	1350760000	20
19	SLA 5.08/19/180	1350860000	20
20	SLA 5.08/20/180	1350960000	20
21	SLA 5.08/21/180	1351060000	20
22	SLA 5.08/22/180	1351160000	20
23	SLA 5.08/23/180	1351260000	20
24	SLA 5.08/24/180	1351360000	20

Accessories	Page
Mounting	-
Marking	190
Coding	193
Miscellaneous	-



Pin headers SLA 5.08/180B



Technical data	VDE	UL	CSA
Rated voltage (V)	250*	300	300
Rated current (A)	10	10	10

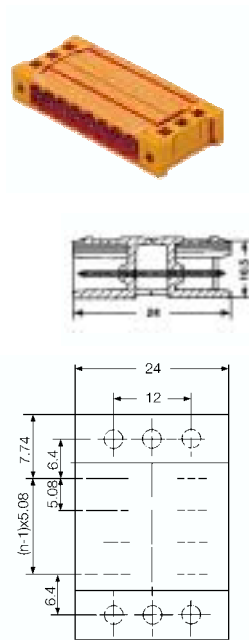
\*Pollution severity 3 / Overvoltage category III  
Additional technical data see page 226

Solder pin length 4.5 mm

Color			
Poles	Type	Part No.	Qty.
2	SLA 5.08/2/180B	1353760000	100
3	SLA 5.08/3/180B	1353860000	100
4	SLA 5.08/4/180B	1353960000	100
5	SLA 5.08/5/180B	1354060000	50
6	SLA 5.08/6/180B	1354160000	50
7	SLA 5.08/7/180B	1354260000	50
8	SLA 5.08/8/180B	1354360000	50
9	SLA 5.08/9/180B	1354460000	50
10	SLA 5.08/10/180B	1354560000	50
11	SLA 5.08/11/180B	1354660000	50
12	SLA 5.08/12/180B	1354760000	50
13	SLA 5.08/13/180B	1354860000	50
14	SLA 5.08/14/180B	1354960000	50
15	SLA 5.08/15/180B	1355060000	50
16	SLA 5.08/16/180B	1355160000	50
17	SLA 5.08/17/180B	1355260000	20
18	SLA 5.08/18/180B	1355360000	20
19	SLA 5.08/19/180B	1355460000	20
20	SLA 5.08/20/180B	1355560000	20
21	SLA 5.08/21/180B	1355660000	20
22	SLA 5.08/22/180B	1355760000	20
23	SLA 5.08/23/180B	1355860000	20
24	SLA 5.08/24/180B	1355960000	20

Accessories	Page
Mounting	187*
Marking	190
Coding	193
Miscellaneous	-

Pin headers SLAKU 5.08



Technical data	VDE	UL	CSA
Rated voltage (V)	250*	300	300
Rated current (A)	10	10	8

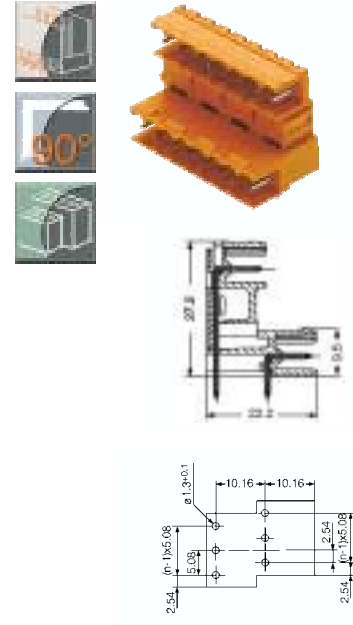
\*Pollution severity 3 / Overvoltage category III

Solder pin length 4.5 mm

Color			
Poles	Type	Part No.	Qty.
2	SLAKU 5.08/2	1359660000	50
3	SLAKU 5.08/3	1359760000	50
4	SLAKU 5.08/4	1342760000	50
5	SLAKU 5.08/5	1359860000	25
6	SLAKU 5.08/6	1359960000	25
7	SLAKU 5.08/7	1360060000	20
8	SLAKU 5.08/8	1342860000	20
9	SLAKU 5.08/9	1360160000	20
10	SLAKU 5.08/10	1360260000	20
11	SLAKU 5.08/11	1360360000	10
12	SLAKU 5.08/12	1360460000	10

Accessories	Page
Mounting	-
Marking	-
Coding	-
Miscellaneous	-

Pin headers SLAD 5.08/90



Technical data	VDE	UL	CSA
Rated voltage (V)	250*	300	300
Rated current (A)	8	10	7

\*Pollution severity 3 / Overvoltage category III  
Additional technical data see page 227

Solder pin length 4.5 mm

Color			
Poles	Type	Part No.	Qty.
4	SLAD 5.08/4/90	1321660000	50
6	SLAD 5.08/6/90	1321760000	50
8	SLAD 5.08/8/90	1385660000	50
10	SLAD 5.08/10/90	1385660000	50
12	SLAD 5.08/12/90	1385760000	50
14	SLAD 5.08/14/90	1385860000	50
16	SLAD 5.08/16/90	1385960000	20
18	SLAD 5.08/18/90	1386060000	20
20	SLAD 5.08/20/90	1386160000	20
22	SLAD 5.08/22/90	1386260000	10
24	SLAD 5.08/24/90	1386360000	10
26	SLAD 5.08/26/90	1386460000	10
28	SLAD 5.08/28/90	1386560000	10
30	SLAD 5.08/30/90	1386660000	10
32	SLAD 5.08/32/90	1386760000	10
34	SLAD 5.08/34/90	1386860000	10
36	SLAD 5.08/36/90	1386960000	10
38	SLAD 5.08/38/90	1387060000	10
40	SLAD 5.08/40/90	1387160000	10
42	SLAD 5.08/42/90	1387260000	10
44	SLAD 5.08/44/90	1387360000	10
46	SLAD 5.08/46/90	1387460000	10
48	SLAD 5.08/48/90	1387570000	10

Accessories	Page
Mounting	188
Marking	190
Coding	192, 193
Miscellaneous	-

\* See Note, page 187