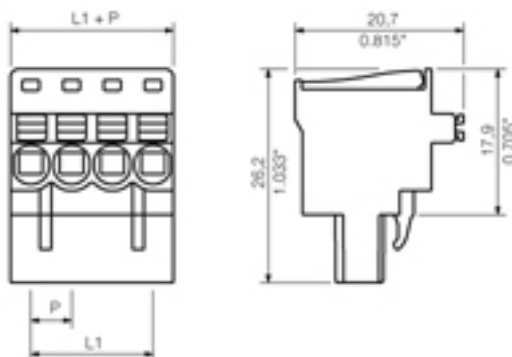


## 阅读申明

- 1.本站收集的数据手册和产品资料都来自互联网，版权归原作者所有。如读者和版权方有任何异议请及时告之，我们将妥善解决。
- 2.本站提供的中文数据手册是英文数据手册的中文翻译，其目的是协助用户阅读，该译文无法自动跟随原稿更新，同时也可能存在翻译上的不当。建议读者以英文原稿为参考以便获得更精准的信息。
- 3.本站提供的产品资料，来自厂商的技术支持或者使用者的心得体会等，其内容可能存在描述上的差异，建议读者做出适当判断。
- 4.如需与我们联系，请发邮件到marketing@iczoom.com，主题请标有“数据手册”字样。

## Read Statement

1. The datasheets and other product information on the site are all from network reference or other public materials, and the copyright belongs to the original author and original published source. If readers and copyright owners have any objections, please contact us and we will deal with it in a timely manner.
2. The Chinese datasheets provided on the website is a Chinese translation of the English datasheets. Its purpose is for reader's learning exchange only and do not involve commercial purposes. The translation cannot be automatically updated with the original manuscript, and there may also be improper translations. Readers are advised to use the English manuscript as a reference for more accurate information.
3. All product information provided on the website refer to solutions from manufacturers' technical support or users the contents may have differences in description, and readers are advised to take the original article as the standard.
4. If you have any questions, please contact us at marketing@iczoom.com and mark the subject with "Datasheets" .



#### General ordering data

|                  |   |
|------------------|---|
| Order No.        | 1980180000  |
| Part designation | BLF 5.00/03/90 SN OR BX   |
| Version          | PCB plug-in connector, PUSH IN, Clamping range, max.: 3.31 mm <sup>2</sup> , Pitch in mm: 5 mm, No. of poles: 3, 90°, Box |
| EAN              | 4032248675265   |
| Qty.             | 120 pc(s).  |
| Packaging        | Box   |

#### System parameters

|   |                        |
|---|------------------------|
| Conductor connection system                 | PUSH IN                |
| Outgoing direction of conductor             | 90°                    |
| Pitch in mm                                 | 5 mm                   |
| Pitch in inch                               | 0.197 inch             |
| No. of poles                                | 3                      |
| No. of rows                                 | 1                      |
| Screwdriver blade                           | 0.6 x 3.5              |
| Screwdriver blade standard                  | DIN 5264               |
| Stripping length                            | 10 mm                  |
| L1 in mm                                    | 10 mm                  |
| L1 in inch                                  | 0.394 inch             |
| Electric shock protection to DIN VDE 0470   | IP 20                  |
| Electric shock protection to DIN VDE 57 106 | Safe from finger touch |

#### Material data

|                          |                     |
|--------------------------|---------------------|
| Insulating material      | PBT                 |
| Colour                   | Orange              |
| colour chart             | Similar to RAL 2000 |
| Flammability class UL 94 | V-0                 |
| Contact material         | CuSn                |
| Contact surface          | tinned              |
| Contact base material    | CuSn                |

#### Connectable conductors

|   |                      |
|---|----------------------|
| Clamping range, min.                              | 0.13 mm <sup>2</sup> |
| Clamping range, max.                              | 3.31 mm <sup>2</sup> |
| Conductor connection cross-section AWG, min.      | AWG 26               |
| Conductor connection cross-section AWG, max.      | AWG 12               |
| Solid, min. H05(07) V-U                           | 0.2 mm <sup>2</sup>  |
| Solid, max. H05(07) V-U                           | 2.5 mm <sup>2</sup>  |
| Stranded, max. H07V-R                             | 2 mm <sup>2</sup>    |
| Stranded, min. H07V-R                             | 0 mm <sup>2</sup>    |
| Flexible, min. H05(07) V-K                        | 0.2 mm <sup>2</sup>  |
| Flexible, max. H05(07) V-K                        | 2.5 mm <sup>2</sup>  |
| w. wire end ferrule, DIN 46228 pt 1, min          | 0.2 mm <sup>2</sup>  |
| with wire end ferrule, DIN 46228 pt 1, max.       | 2.5 mm <sup>2</sup>  |
| w. plastic collar ferrule, DIN 46228 pt 4, min.   | 0.2 mm <sup>2</sup>  |
| with plastic collar ferrule, DIN 46228 pt 4, max. | 2.5 mm <sup>2</sup>  |
| Gauge to EN 60999 a x b; ø                        | 2.4 mm x 1.5 mm      |

#### DIN IEC rating data

|  |                   |
|--|-------------------|
| Rated current, min. No. of poles (Tu=20°C)                                     | 18.5 A            |
| Rated current, max. No. of poles (Tu=20°C)                                     | 6 A               |
| Rated current, no. of poles (Tu=40°C), min.                                    | 12.5 A            |
| Rated current, no. of poles (Tu=40°C), max.                                    | 6 A               |
| Rated voltage for overvoltage class/pollution severity II/2                    | 400 V             |
| Rated voltage for overvoltage class/pollution severity III/2                   | 320 V             |
| Rated voltage at overvoltage category/pollution degree III/3                   | 250 V             |
| Rated impulse withstand voltage for overvoltage class/pollution severity II/2  | 4 kV              |
| Rated impulse withstand voltage for overvoltage class/pollution severity III/2 | 4 kV              |
| Rated impulse withstand voltage for overvoltage class/pollution severity III/3 | 4 kV              |
| Short-time withstand current resistance  | 3 x 1s with 120 A |

#### CSA rating data

|                             |       |
|-----------------------------|-------|
| Rated voltage (Use group B) | 300 V |
| Rated current (use group B) | 10 A  |

#### UL 1059 rating data

|                             |       |
|-----------------------------|-------|
| Rated voltage (use group B) | 300 V |
| Rated current (use group B) | 10 A  |

#### Approvals

|                      |            |
|----------------------|------------|
| Approvals institutes | CSA; CURUS |
|----------------------|------------|

#### Classifications

|            |             |
|------------|-------------|
| eClass 6.0 | 27-26-07-08 |
|------------|-------------|

#### Notes

Notes

Notes

Similar products

| Order No.  | Part designation        | Version  |
|------------|-------------------------|--|
| 1979270000 | BLF 5.00/02/90 SN BK BX | PCB plug-in connector, PUSH IN, Clamping range, max.: 3.31 mm <sup>2</sup> , Pitch in mm: 5 mm, No. of poles: 2, 90°, Box  |
| 1979280000 | BLF 5.00/03/90 SN BK BX | PCB plug-in connector, PUSH IN, Clamping range, max.: 3.31 mm <sup>2</sup> , Pitch in mm: 5 mm, No. of poles: 3, 90°, Box  |
| 1979290000 | BLF 5.00/04/90 SN BK BX | PCB plug-in connector, PUSH IN, Clamping range, max.: 3.31 mm <sup>2</sup> , Pitch in mm: 5 mm, No. of poles: 4, 90°, Box  |
| 1979300000 | BLF 5.00/05/90 SN BK BX | PCB plug-in connector, PUSH IN, Clamping range, max.: 3.31 mm <sup>2</sup> , Pitch in mm: 5 mm, No. of poles: 5, 90°, Box  |
| 1979310000 | BLF 5.00/06/90 SN BK BX | PCB plug-in connector, PUSH IN, Clamping range, max.: 3.31 mm <sup>2</sup> , Pitch in mm: 5 mm, No. of poles: 6, 90°, Box  |
| 1979320000 | BLF 5.00/07/90 SN BK BX | PCB plug-in connector, PUSH IN, Clamping range, max.: 3.31 mm <sup>2</sup> , Pitch in mm: 5 mm, No. of poles: 7, 90°, Box  |
| 1979330000 | BLF 5.00/08/90 SN BK BX | PCB plug-in connector, PUSH IN, Clamping range, max.: 3.31 mm <sup>2</sup> , Pitch in mm: 5 mm, No. of poles: 8, 90°, Box  |
| 1979340000 | BLF 5.00/09/90 SN BK BX | PCB plug-in connector, PUSH IN, Clamping range, max.: 3.31 mm <sup>2</sup> , Pitch in mm: 5 mm, No. of poles: 9, 90°, Box  |
| 1979350000 | BLF 5.00/10/90 SN BK BX | PCB plug-in connector, PUSH IN, Clamping range, max.: 3.31 mm <sup>2</sup> , Pitch in mm: 5 mm, No. of poles: 10, 90°, Box |
| 1979360000 | BLF 5.00/11/90 SN BK BX | PCB plug-in connector, PUSH IN, Clamping range, max.: 3.31 mm <sup>2</sup> , Pitch in mm: 5 mm, No. of poles: 11, 90°, Box |
| 1979370000 | BLF 5.00/12/90 SN BK BX | PCB plug-in connector, PUSH IN, Clamping range, max.: 3.31 mm <sup>2</sup> , Pitch in mm: 5 mm, No. of poles: 12, 90°, Box |
| 1979380000 | BLF 5.00/13/90 SN BK BX | PCB plug-in connector, PUSH IN, Clamping range, max.: 3.31 mm <sup>2</sup> , Pitch in mm: 5 mm, No. of poles: 13, 90°, Box |
| 1979390000 | BLF 5.00/14/90 SN BK BX | PCB plug-in connector, PUSH IN, Clamping range, max.: 3.31 mm <sup>2</sup> , Pitch in mm: 5 mm, No. of poles: 14, 90°, Box |
| 1979400000 | BLF 5.00/15/90 SN BK BX | PCB plug-in connector, PUSH IN, Clamping range, max.: 3.31 mm <sup>2</sup> , Pitch in mm: 5 mm, No. of poles: 15, 90°, Box |
| 1979410000 | BLF 5.00/16/90 SN BK BX | PCB plug-in connector, PUSH IN, Clamping range, max.: 3.31 mm <sup>2</sup> , Pitch in mm: 5 mm, No. of poles: 16, 90°, Box |
| 1979420000 | BLF 5.00/17/90 SN BK BX | PCB plug-in connector, PUSH IN, Clamping range, max.: 3.31 mm <sup>2</sup> , Pitch in mm: 5 mm, No. of poles: 17, 90°, Box |
| 1979430000 | BLF 5.00/18/90 SN BK BX | PCB plug-in connector, PUSH IN, Clamping range, max.: 3.31 mm <sup>2</sup> , Pitch in mm: 5 mm, No. of poles: 18, 90°, Box |
| 1979440000 | BLF 5.00/19/90 SN BK BX | PCB plug-in connector, PUSH IN, Clamping range, max.: 3.31 mm <sup>2</sup> , Pitch in mm: 5 mm, No. of poles: 19, 90°, Box |
| 1979450000 | BLF 5.00/20/90 SN BK BX | PCB plug-in connector, PUSH IN, Clamping range, max.: 3.31 mm <sup>2</sup> , Pitch in mm: 5 mm, No. of poles: 20, 90°, Box |