

## 阅读申明

- 1.本站收集的数据手册和产品资料都来自互联网，版权归原作者所有。如读者和版权方有任何异议请及时告之，我们将妥善解决。
- 2.本站提供的中文数据手册是英文数据手册的中文翻译，其目的是协助用户阅读，该译文无法自动跟随原稿更新，同时也可能存在翻译上的不当。建议读者以英文原稿为参考以便获得更精准的信息。
- 3.本站提供的产品资料，来自厂商的技术支持或者使用者的心得体会等，其内容可能存在描述上的差异，建议读者做出适当判断。
- 4.如需与我们联系，请发邮件到marketing@iczoom.com，主题请标有“数据手册”字样。

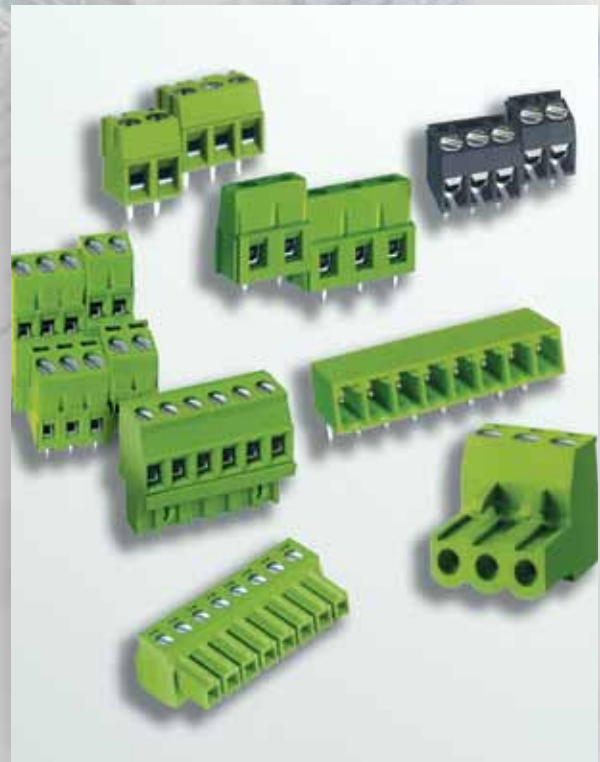
## Read Statement

1. The datasheets and other product information on the site are all from network reference or other public materials, and the copyright belongs to the original author and original published source. If readers and copyright owners have any objections, please contact us and we will deal with it in a timely manner.
2. The Chinese datasheets provided on the website is a Chinese translation of the English datasheets. Its purpose is for reader's learning exchange only and do not involve commercial purposes. The translation cannot be automatically updated with the original manuscript, and there may also be improper translations. Readers are advised to use the English manuscript as a reference for more accurate information.
3. All product information provided on the website refer to solutions from manufacturers' technical support or users the contents may have differences in description, and readers are advised to take the original article as the standard.
4. If you have any questions, please contact us at marketing@iczoom.com and mark the subject with "Datasheets" .



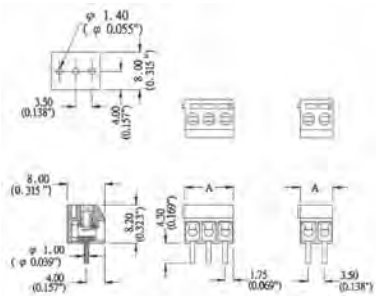
## PRINTED CIRCUIT BOARD TERMINAL BLOCKS & CONNECTORS

AEI OFFERS SINGLE AND DUAL LEVEL TERMINAL BLOCKS FOR PRINTED CIRCUIT BOARDS ON 3.5MM, 5.0MM, .08MM, 7.5MM AND 7.62MM IN MODULAR 2 OR 3 POLE DESIGNS. CONNECTORS ARE OFFERED FROM 3.50MM, 3.81MM, 5.00MM AND 5.08MM VERSIONS IN 90° AND 180° CONFIGURATION UP TO 24 POLES.



# PRINTED CIRCUIT BOARD

## TERMINAL BLOCKS

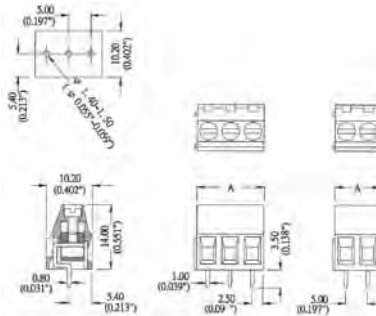


### SINGLE LEVEL • 90° • PITCH: 3.50 MM

#### TECHNICAL

|                               |                          |
|-------------------------------|--------------------------|
| TERMINAL:                     | BRASS, TIN PLATED        |
| WIRE PROTECTOR:               | STAINLESS STRIP STEEL    |
| INSULATING BODY:              | POLYESTER                |
| SCREW:                        | M2.0, STEEL, CHROMATIZED |
| COLOR:                        | BLACK                    |
| OPERATION TEMPERATURE:        | -33°C TO +105°C          |
| SHORT-TIME TEMPERATURE:       | UP TO 200°C (+392°F)     |
| CURRENT RATING:               | 6 AMP AC300V             |
| INSULATION WITHSTANDING VOLT: | AC1500V MIN              |
| INSULATION RESISTANCE:        | >5000Ω AT DC500V         |
| PCB HOLE DIAMETER:            | φ 1.4 MM                 |
| WIRE STRIP LENGTH:            | 4MM - 5MM                |
| WIRE RANGE:                   | 16 - 26 AWG              |
| SCREWS TORQUE:                | 2.5 LB-INCH              |

| ITEM No.           | POLES | A (MM) | A (INCH) |
|--------------------|-------|--------|----------|
| <b>T-212-350M2</b> | 2     | 7.00   | 0.276    |
| <b>T-212-350M3</b> | 3     | 10.50  | 0.413    |

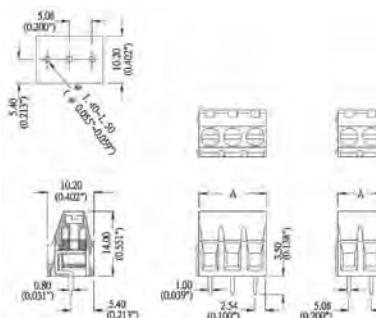


### SINGLE LEVEL • 90° • PITCH: 5.00 MM

#### TECHNICAL

|                               |                         |
|-------------------------------|-------------------------|
| CAGE CLAMP:                   | BRASS, NI PLATED        |
| TERMINAL:                     | BRASS, TIN PLATED, 0.8T |
| INSULATING BODY:              | POLYAMIDE66 (UL94V-0)   |
| SCREW:                        | M2.6, STEEL, NI PLATED  |
| COLOR:                        | GREEN                   |
| OPERATION TEMPERATURE:        | -55°C TO +105°C         |
| SHORT-TIME TEMPERATURE:       | UP TO 250°C (+482°F)    |
| CURRENT RATING:               | 16 AMP AC300V           |
| INSULATION WITHSTANDING VOLT: | AC2000V MIN             |
| INSULATION RESISTANCE:        | >5000Ω AT DC500V        |
| PCB HOLE DIAMETER:            | φ 1.4 MM - φ 1.5 MM     |
| WIRE STRIP LENGTH:            | 4MM - 5MM               |
| WIRE RANGE:                   | 14 - 24 AWG             |
| SCREWS TORQUE:                | 5.0 LB-INCH             |

| ITEM No.           | POLES | A (MM) | A (INCH) |
|--------------------|-------|--------|----------|
| <b>T-312-500M2</b> | 2     | 10.00  | 0.394    |
| <b>T-312-500M3</b> | 3     | 15.00  | 0.591    |



### SINGLE LEVEL • 90° • PITCH: 5.08 MM

#### TECHNICAL

|                               |                         |
|-------------------------------|-------------------------|
| TERMINAL:                     | BRASS, NI PLATED        |
| WIRE PROTECTOR:               | BRASS, TIN PLATED, 0.8T |
| INSULATING BODY:              | POLYAMIDE66 (UL94V-0)   |
| SCREW:                        | M2.6, STEEL, NI PLATED  |
| COLOR:                        | GREEN                   |
| OPERATION TEMPERATURE:        | -55°C TO +105°C         |
| SHORT-TIME TEMPERATURE:       | UP TO 250°C (+482°F)    |
| CURRENT RATING:               | 16 AMP AC300V           |
| INSULATION WITHSTANDING VOLT: | AC2000V MIN             |
| INSULATION RESISTANCE:        | >5000Ω AT DC500V        |
| PCB HOLE DIAMETER:            | φ 1.4 MM - φ 1.5 MM     |
| WIRE STRIP LENGTH:            | 4MM - 5MM               |
| WIRE RANGE:                   | 14 - 24 AWG             |
| SCREWS TORQUE:                | 5.0 LB-INCH             |

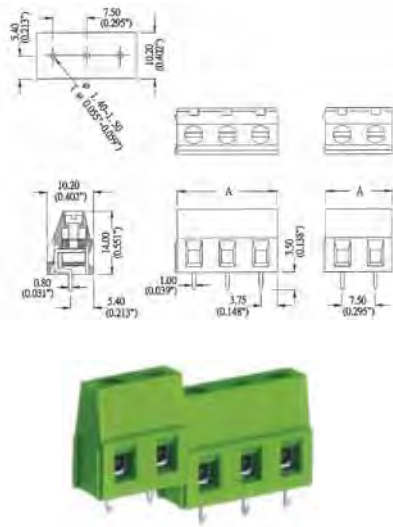
| ITEM No.           | POLES | A (MM) | A (INCH) |
|--------------------|-------|--------|----------|
| <b>T-312-508M2</b> | 2     | 10.16  | 0.400    |
| <b>T-312-508M3</b> | 3     | 15.24  | 0.600    |



## PRINTED CIRCUIT BOARD

### TERMINAL BLOCKS

#### SINGLE LEVEL • 90° • PITCH: 7.50 MM

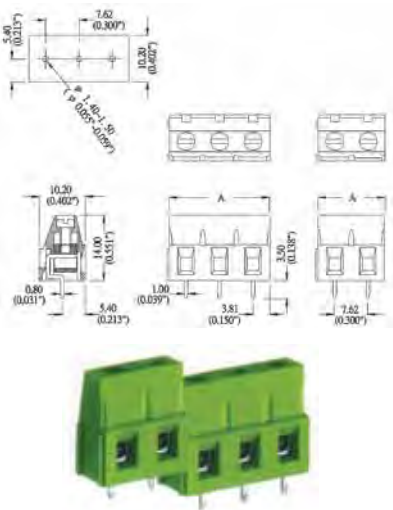


#### TECHNICAL

|                               |                         |
|-------------------------------|-------------------------|
| CAGE CLAMP:                   | BRASS, NI PLATED        |
| TERMINAL:                     | BRASS, TIN PLATED, 0.8T |
| INSULATING BODY:              | POLYAMIDE66 (UL94V-0)   |
| SCREW:                        | M2.6, STEEL, NI PLATED  |
| COLOR:                        | GREEN                   |
| OPERATION TEMPERATURE:        | -55°C TO +105°C         |
| SHORT-TIME TEMPERATURE:       | UP TO 250°C (+482°F)    |
| CURRENT RATING:               | 16 AMP AC300V           |
| INSULATION WITHSTANDING VOLT: | AC2000V MIN             |
| INSULATION RESISTANCE:        | >5000Ω AT DC500V        |
| PCB HOLE DIAMETER:            | φ 1.4 MM - φ 1.5 MM     |
| WIRE STRIP LENGTH:            | 4MM - 5MM               |
| WIRE RANGE:                   | 14 - 24 AWG             |
| SCREWS TORQUE:                | 5.0 LB-INCH             |

| ITEM NO.    | POLES | A (MM) | A (INCH) |
|-------------|-------|--------|----------|
| T-312-750M2 | 2     | 15.00  | 0.591    |
| T-312-750M3 | 3     | 22.50  | 0.886    |

#### SINGLE LEVEL • 90° • PITCH: 7.62 MM

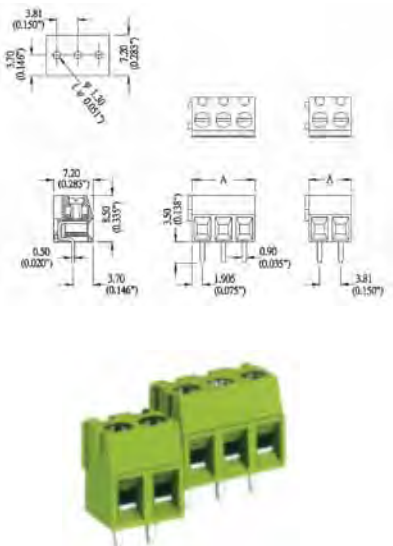


#### TECHNICAL

|                               |                         |
|-------------------------------|-------------------------|
| CAGE CLAMP:                   | BRASS, NI PLATED        |
| TERMINAL:                     | BRASS, TIN PLATED, 0.8T |
| INSULATING BODY:              | POLYAMIDE66 (UL94V-0)   |
| SCREW:                        | M2.6, STEEL, NI PLATED  |
| COLOR:                        | GREEN                   |
| OPERATION TEMPERATURE:        | -55°C TO +105°C         |
| SHORT-TIME TEMPERATURE:       | UP TO 250°C (+482°F)    |
| CURRENT RATING:               | 16 AMP AC300V           |
| INSULATION WITHSTANDING VOLT: | AC2000V MIN             |
| INSULATION RESISTANCE:        | >5000Ω AT DC500V        |
| PCB HOLE DIAMETER:            | φ 1.4 MM - φ 1.5 MM     |
| WIRE STRIP LENGTH:            | 4MM - 5MM               |
| WIRE RANGE:                   | 14 - 24 AWG             |
| SCREWS TORQUE:                | 5.0 LB-INCH             |

| ITEM NO.    | POLES | A (MM) | A (INCH) |
|-------------|-------|--------|----------|
| T-312-762M2 | 2     | 15.24  | 0.600    |
| T-312-762M3 | 3     | 22.86  | 0.900    |

#### SINGLE LEVEL • 90° • PITCH: 3.81 MM



#### TECHNICAL

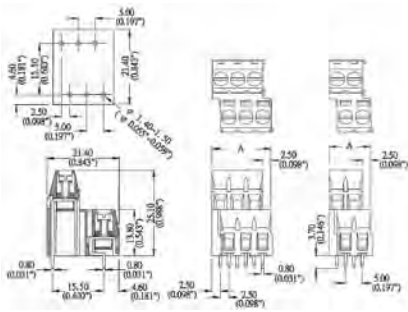
|                               |                         |
|-------------------------------|-------------------------|
| CAGE CLAMP:                   | BRASS, NI PLATED        |
| TERMINAL:                     | BRASS, TIN PLATED, 0.5T |
| INSULATING BODY:              | POLYAMIDE66 (UL94V-0)   |
| SCREW:                        | M2.0, STEEL, NI PLATED  |
| COLOR:                        | GREEN                   |
| OPERATION TEMPERATURE:        | -55°C TO +105°C         |
| SHORT-TIME TEMPERATURE:       | UP TO 200°C (+392°F)    |
| CURRENT RATING:               | 8 AMP AC300V            |
| INSULATION WITHSTANDING VOLT: | AC2000V MIN             |
| INSULATION RESISTANCE:        | >5000Ω AT DC500V        |
| PCB HOLE DIAMETER:            | φ 1.3                   |
| WIRE STRIP LENGTH:            | 4MM - 5MM               |
| WIRE RANGE:                   | 16 - 26 AWG             |
| SCREWS TORQUE:                | 2.5 LB-INCH             |

| ITEM NO.    | POLES | A (MM) | A (INCH) |
|-------------|-------|--------|----------|
| T-332-381M2 | 2     | 7.62   | 0.300    |
| T-332-381M3 | 3     | 11.43  | 0.450    |

# PRINTED CIRCUIT BOARD

## TERMINAL BLOCKS

### DOUBLE LEVEL • 90° • PITCH: 5.00 MM

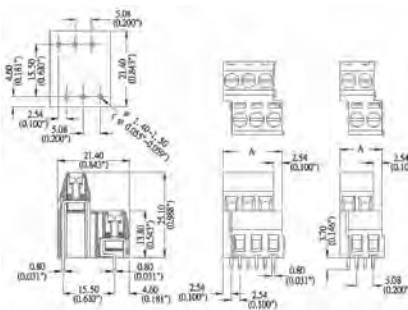


#### TECHNICAL

|                               |                         |
|-------------------------------|-------------------------|
| CAGE CLAMP:                   | BRASS, NI PLATED        |
| TERMINAL:                     | BRASS, TIN PLATED, 0.8T |
| INSULATING BODY:              | POLYAMIDE66 (UL94V-0)   |
| SCREW:                        | M2.6, STEEL, NI PLATED  |
| COLOR:                        | GREEN                   |
| OPERATION TEMPERATURE:        | -55°C TO +105°C         |
| SHORT-TIME TEMPERATURE:       | UP TO 250°C (+482°F)    |
| CURRENT RATING:               | 16 AMP AC300V           |
| INSULATION WITHSTANDING VOLT: | AC2000V MIN             |
| INSULATION RESISTANCE:        | >5000Ω AT DC500V        |
| PCB HOLE DIAMETER:            | φ 1.4 MM - φ 1.5 MM     |
| WIRE STRIP LENGTH:            | 4MM - 5MM               |
| WIRE RANGE:                   | 14 - 24 AWG             |
| SCREWS TORQUE:                | 4.5 LB-INCH             |

| ITEM NO.    | POLES | A (MM) | A (INCH) |
|-------------|-------|--------|----------|
| T-362-500M2 | 2     | 12.50  | 0.492    |
| T-362-500M3 | 3     | 17.50  | 0.689    |

### DOUBLE LEVEL • 90° • PITCH: 5.08 MM



#### TECHNICAL

|                               |                         |
|-------------------------------|-------------------------|
| CAGE CLAMP:                   | BRASS, NI PLATED        |
| TERMINAL:                     | BRASS, TIN PLATED, 0.8T |
| INSULATING BODY:              | POLYAMIDE66 (UL94V-0)   |
| SCREW:                        | M2.6, STEEL, NI PLATED  |
| COLOR:                        | GREEN                   |
| OPERATION TEMPERATURE:        | -55°C TO +105°C         |
| SHORT-TIME TEMPERATURE:       | UP TO 250°C (+482°F)    |
| CURRENT RATING:               | 16 AMP AC300V           |
| INSULATION WITHSTANDING VOLT: | AC2000V MIN             |
| INSULATION RESISTANCE:        | >5000Ω AT DC500V        |
| PCB HOLE DIAMETER:            | φ 1.4 MM - φ 1.5 MM     |
| WIRE STRIP LENGTH:            | 4MM - 5MM               |
| WIRE RANGE:                   | 14 - 24 AWG             |
| SCREWS TORQUE:                | 4.5 LB-INCH             |

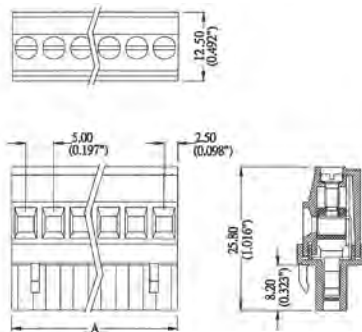
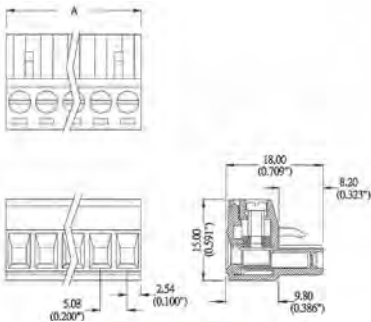
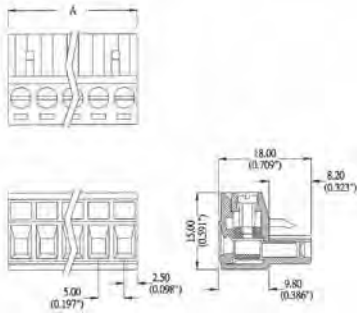
| ITEM NO.    | POLES | A (MM) | A (INCH) |
|-------------|-------|--------|----------|
| T-362-508M2 | 2     | 12.70  | 0.500    |
| T-362-508M3 | 3     | 17.78  | 0.700    |



## PRINTED CIRCUIT BOARD

### PLUGS

#### PLUGS • 180°



#### TECHNICAL

|                               |                                   |
|-------------------------------|-----------------------------------|
| CAGE CLAMP:                   | BRASS, NI PLATED                  |
| CONTACT:                      | PHOSPHOR BRONZE, TIN PLATED, 0.4T |
| INSULATING BODY:              | POLYAMIDE66 (UL94V-0)             |
| SCREW:                        | M3.0, STEEL, ZINC PLATED          |
| COLOR:                        | GREEN                             |
| OPERATION TEMPERATURE:        | -55°C TO +105°C                   |
| SHORT-TIME TEMPERATURE:       | UP TO 250°C (+482°F)              |
| CURRENT RATING:               | 16 AMP AC300V                     |
| INSULATION WITHSTANDING VOLT: | AC2000V MIN                       |
| INSULATION RESISTANCE:        | >5000Ω AT DC500V                  |
| WIRE STRIP LENGTH:            | 4 MM - 5 MM                       |
| WIRE RANGE:                   | 14 - 24 AWG                       |
| SCREWS TORQUE:                | 4.5 LB-INCH                       |

#### PITCH: 5.00 MM

| ITEM No.    | POLES | A (MM) | A (INCH) | ITEM No.    | POLES | A (MM) | A (INCH) |
|-------------|-------|--------|----------|-------------|-------|--------|----------|
| P-100-50002 | 2     | 10.00  | 0.394    | P-100-50009 | 9     | 45.00  | 1.772    |
| P-100-50003 | 3     | 15.00  | 0.591    | P-100-50010 | 10    | 50.00  | 1.969    |
| P-100-50004 | 4     | 20.00  | 0.787    | P-100-50011 | 11    | 55.00  | 2.165    |
| P-100-50005 | 5     | 25.00  | 0.984    | P-100-50012 | 12    | 60.00  | 2.362    |
| P-100-50006 | 6     | 30.00  | 1.181    |             |       |        |          |
| P-100-50007 | 7     | 35.00  | 1.378    | P-100-50024 | 24    | 120.00 | 4.724    |
| P-100-50008 | 8     | 40.00  | 1.575    |             |       |        |          |

#### PITCH: 5.08 MM

| ITEM No.    | POLES | A (MM) | A (INCH) | ITEM No.    | POLES | A (MM) | A (INCH) |
|-------------|-------|--------|----------|-------------|-------|--------|----------|
| P-100-50802 | 2     | 10.16  | 0.400    | P-100-50809 | 9     | 45.72  | 1.800    |
| P-100-50803 | 3     | 15.24  | 0.600    | P-100-50810 | 10    | 50.80  | 2.000    |
| P-100-50804 | 4     | 20.32  | 0.800    | P-100-50811 | 11    | 55.88  | 2.200    |
| P-100-50805 | 5     | 25.40  | 1.000    | P-100-50812 | 12    | 60.96  | 2.400    |
| P-100-50806 | 6     | 30.48  | 1.200    |             |       |        |          |
| P-100-50807 | 7     | 35.56  | 1.400    | P-100-50824 | 24    | 121.92 | 4.800    |
| P-100-50808 | 8     | 40.64  | 1.600    |             |       |        |          |

#### PLUGS • 90° • PITCH: 5.00 MM

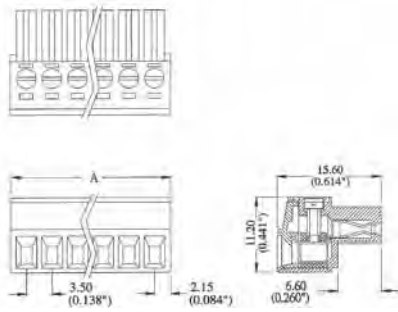
#### TECHNICAL

|                               |                                   |
|-------------------------------|-----------------------------------|
| CAGE CLAMP:                   | BRASS, NI PLATED                  |
| CONTACT:                      | PHOSPHOR BRONZE, TIN PLATED, 0.4T |
| INSULATING BODY:              | POLYAMIDE66 (UL94V-0)             |
| SCREW:                        | M2.6, STEEL, ZINC PLATED          |
| COLOR:                        | GREEN                             |
| OPERATION TEMPERATURE:        | -55°C TO +105°C                   |
| SHORT-TIME TEMPERATURE:       | UP TO 250°C (+482°F)              |
| CURRENT RATING:               | 16 AMP AC300V                     |
| INSULATION WITHSTANDING VOLT: | AC2000V MIN                       |
| INSULATION RESISTANCE:        | >5000Ω AT DC500V                  |
| WIRE STRIP LENGTH:            | 7 MM                              |
| WIRE RANGE:                   | 14 - 24 AWG                       |
| SCREWS TORQUE:                | 4.5 LB-INCH                       |

| ITEM No.    | POLES | A (MM) | A (INCH) | ITEM No.    | POLES | A (MM) | A (INCH) |
|-------------|-------|--------|----------|-------------|-------|--------|----------|
| P-200-50002 | 2     | 10.00  | 0.394    | P-200-50009 | 9     | 45.00  | 1.772    |
| P-200-50003 | 3     | 15.00  | 0.591    | P-200-50010 | 10    | 50.00  | 1.969    |
| P-200-50004 | 4     | 20.00  | 0.787    | P-200-50011 | 11    | 55.00  | 2.165    |
| P-200-50005 | 5     | 25.00  | 0.984    | P-200-50012 | 12    | 60.00  | 2.362    |
| P-200-50006 | 6     | 30.00  | 1.181    |             |       |        |          |
| P-200-50007 | 7     | 35.00  | 1.378    | P-200-50024 | 24    | 120.00 | 4.724    |
| P-200-50008 | 8     | 40.00  | 1.575    |             |       |        |          |

# PRINTED CIRCUIT BOARD

## PLUGS



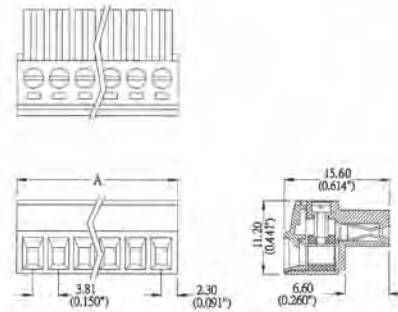
### PLUGS • 180° • PITCH: 3.50 MM

#### TECHNICAL

|                               |                                   |
|-------------------------------|-----------------------------------|
| CAGE CLAMP:                   | BRASS, NI PLATED                  |
| CONTACT:                      | PHOSPHOR BRONZE, TIN PLATED, 0.3T |
| INSULATING BODY:              | POLYAMIDE66 (UL94V-O)             |
| SCREW:                        | M2.0, STEEL, ZINC                 |
| COLOR:                        | GREEN                             |
| OPERATION TEMPERATURE:        | -55°C TO +105°C                   |
| SHORT-TIME TEMPERATURE:       | UP TO 250°C (+482°F)              |
| CURRENT RATING:               | 10 AMP AC300V                     |
| INSULATION WITHSTANDING VOLT: | AC2000V MIN                       |
| INSULATION RESISTANCE:        | >5000Ω AT DC500V                  |
| WIRE STRIP LENGTH:            | 6.5 MM                            |
| WIRE RANGE:                   | 16 - 26 AWG                       |
| SCREWS TORQUE:                | 2.5 LB-INCH                       |

| ITEM No.    | POLES | A (MM) | A (INCH) | ITEM No.    | POLES | A (MM) | A (INCH) |
|-------------|-------|--------|----------|-------------|-------|--------|----------|
| P-420-35002 | 2     | 7.80   | 0.307    | P-420-35009 | 9     | 32.30  | 1.272    |
| P-420-35003 | 3     | 11.30  | 0.445    | P-420-35010 | 10    | 35.80  | 1.409    |
| P-420-35004 | 4     | 14.80  | 0.583    | P-420-35011 | 11    | 39.30  | 1.547    |
| P-420-35005 | 5     | 18.30  | 0.720    | P-420-35012 | 12    | 42.80  | 1.685    |
| P-420-35006 | 6     | 21.80  | 0.858    | P-420-35013 | 13    | 46.30  | 1.823    |
| P-420-35007 | 7     | 25.30  | 0.996    | P-420-35014 | 14    | 49.80  | 1.961    |
| P-420-35008 | 8     | 28.80  | 1.134    |             |       |        |          |

### PLUGS • 180° • PITCH: 3.81 MM



#### TECHNICAL

|                               |                                   |
|-------------------------------|-----------------------------------|
| CAGE CLAMP:                   | BRASS, NI PLATED                  |
| CONTACT:                      | PHOSPHOR BRONZE, TIN PLATED, 0.3T |
| INSULATING BODY:              | POLYAMIDE66 (UL94V-O)             |
| SCREW:                        | M2.0, STEEL, ZINC                 |
| COLOR:                        | GREEN                             |
| OPERATION TEMPERATURE:        | -55°C TO +105°C                   |
| SHORT-TIME TEMPERATURE:       | UP TO 250°C (+482°F)              |
| CURRENT RATING:               | 10 AMP AC300V                     |
| INSULATION WITHSTANDING VOLT: | AC2000V MIN                       |
| INSULATION RESISTANCE:        | >5000Ω AT DC500V                  |
| WIRE STRIP LENGTH:            | 6.5 MM                            |
| WIRE RANGE:                   | 16 - 26 AWG                       |
| SCREWS TORQUE:                | 2.5 LB-INCH                       |

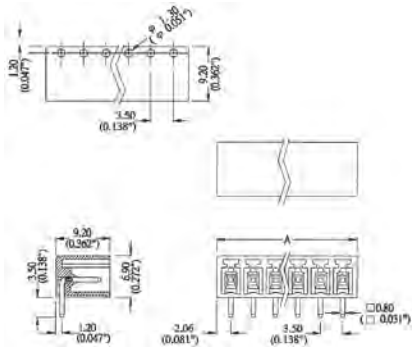
| ITEM No.    | POLES | A (MM) | A (INCH) | ITEM No.    | POLES | A (MM) | A (INCH) |
|-------------|-------|--------|----------|-------------|-------|--------|----------|
| P-420-38102 | 2     | 8.41   | 0.331    | P-420-38109 | 9     | 35.08  | 1.381    |
| P-420-38103 | 3     | 12.22  | 0.481    | P-420-38110 | 10    | 38.89  | 1.531    |
| P-420-38104 | 4     | 16.03  | 0.631    | P-420-38111 | 11    | 42.70  | 1.681    |
| P-420-38105 | 5     | 19.84  | 0.781    | P-420-38112 | 12    | 46.51  | 1.831    |
| P-420-38106 | 6     | 23.65  | 0.931    |             |       |        |          |
| P-420-38107 | 7     | 27.46  | 1.081    | P-420-38116 | 16    | 61.75  | 2.431    |
| P-420-38108 | 8     | 31.27  | 1.231    |             |       |        |          |



## PRINTED CIRCUIT BOARD

### HEADERS

HEADERS • CLOSED 90° • PITCH: 3.50 MM

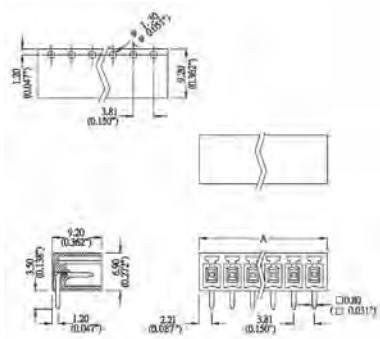


#### TECHNICAL

|                               |                           |
|-------------------------------|---------------------------|
| SOLDER PIN:                   | 0.8 MM, BRASS, TIN PLATED |
| INSULATING BODY:              | POLYAMIDE66 (UL94V-0)     |
| COLOR:                        | GREEN                     |
| OPERATION TEMPERATURE:        | -55°C TO +105°C           |
| SHORT-TIME TEMPERATURE:       | UP TO 250°C (+482°F)      |
| CURRENT RATING:               | 12 AMP AC300V             |
| INSULATION WITHSTANDING VOLT: | AC2000V MIN               |
| INSULATION RESISTANCE:        | >5000Ω AT DC500V          |
| PDB HOLE DIAMETER:            | φ 1.3 MM                  |

| ITEM No.           | POLES | A (MM) | A (INCH) | ITEM No.           | POLES | A (MM) | A (INCH) |
|--------------------|-------|--------|----------|--------------------|-------|--------|----------|
| <b>H-030-35002</b> | 2     | 7.60   | 0.299    | <b>H-030-35009</b> | 9     | 32.10  | 1.264    |
| <b>H-030-35003</b> | 3     | 11.10  | 0.437    | <b>H-030-35010</b> | 10    | 35.60  | 1.402    |
| <b>H-030-35004</b> | 4     | 14.60  | 0.575    | <b>H-030-35011</b> | 11    | 39.10  | 1.539    |
| <b>H-030-35005</b> | 5     | 18.10  | 0.713    | <b>H-030-35012</b> | 12    | 42.60  | 1.677    |
| <b>H-030-35006</b> | 6     | 21.60  | 0.850    | <b>H-030-35013</b> | 13    | 46.10  | 1.815    |
| <b>H-030-35007</b> | 7     | 25.10  | 0.988    | <b>H-030-35014</b> | 14    | 49.60  | 1.953    |
| <b>H-030-35008</b> | 8     | 28.60  | 1.126    |                    |       |        |          |

HEADERS • CLOSED 90° • PITCH: 3.81 MM



#### TECHNICAL

|                               |                           |
|-------------------------------|---------------------------|
| SOLDER PIN:                   | 0.8 MM, BRASS, TIN PLATED |
| INSULATING BODY:              | POLYAMIDE66 (UL94V-0)     |
| COLOR:                        | GREEN                     |
| OPERATION TEMPERATURE:        | -55°C TO +105°C           |
| SHORT-TIME TEMPERATURE:       | UP TO 250°C (+482°F)      |
| CURRENT RATING:               | 12 AMP AC300V             |
| INSULATION WITHSTANDING VOLT: | AC2000V MIN               |
| INSULATION RESISTANCE:        | >5000Ω AT DC500V          |
| PDB HOLE DIAMETER:            | φ 1.3 MM                  |

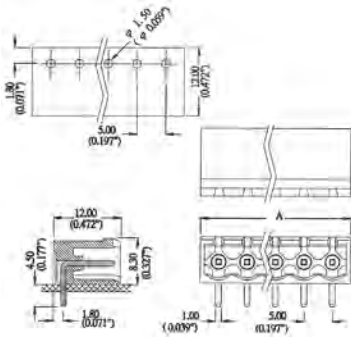
| ITEM No.           | POLES | A (MM) | A (INCH) | ITEM No.           | POLES | A (MM) | A (INCH) |
|--------------------|-------|--------|----------|--------------------|-------|--------|----------|
| <b>H-030-38102</b> | 2     | 8.23   | 0.324    | <b>H-030-38109</b> | 9     | 34.90  | 1.374    |
| <b>H-030-38103</b> | 3     | 12.04  | 0.474    | <b>H-030-38110</b> | 10    | 38.71  | 1.524    |
| <b>H-030-38104</b> | 4     | 15.85  | 0.624    | <b>H-030-38111</b> | 11    | 42.52  | 1.674    |
| <b>H-030-38105</b> | 5     | 19.66  | 0.774    | <b>H-030-38112</b> | 12    | 46.33  | 1.824    |
| <b>H-030-38106</b> | 6     | 23.47  | 0.924    |                    |       |        |          |
| <b>H-030-38107</b> | 7     | 27.28  | 1.074    | <b>H-030-38116</b> | 16    | 61.57  | 2.424    |
| <b>H-030-38108</b> | 8     | 31.09  | 1.224    |                    |       |        |          |



# PRINTED CIRCUIT BOARD

## HEADERS

HEADERS • CLOSED 90° • PITCH: 5.00 MM

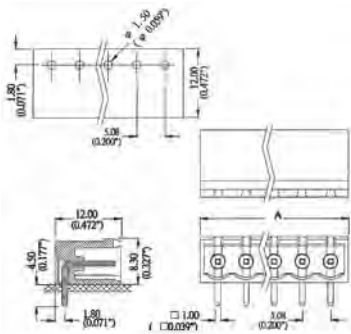


### TECHNICAL

|                               |                           |
|-------------------------------|---------------------------|
| SOLDER PIN:                   | 1.0 MM, BRASS, TIN PLATED |
| INSULATING BODY:              | POLYAMIDE66 (UL94V-0)     |
| COLOR:                        | GREEN                     |
| OPERATION TEMPERATURE:        | -55°C TO +105°C           |
| SHORT-TIME TEMPERATURE:       | UP TO 250°C (+482°F)      |
| CURRENT RATING:               | 12 AMP AC300V             |
| INSULATION WITHSTANDING VOLT: | AC2000V MIN               |
| INSULATION RESISTANCE:        | >5000Ω AT DC500V          |
| PDB HOLE DIAMETER:            | ψ 1.5 MM                  |

| ITEM No.           | POLES | A (MM) | A (INCH) | ITEM No.           | POLES | A (MM) | A (INCH) |
|--------------------|-------|--------|----------|--------------------|-------|--------|----------|
| <b>H-030-50002</b> | 2     | 11.60  | 0.457    | <b>H-030-50009</b> | 9     | 46.60  | 1.835    |
| <b>H-030-50003</b> | 3     | 16.60  | 0.654    | <b>H-030-50010</b> | 10    | 51.60  | 2.031    |
| <b>H-030-50004</b> | 4     | 21.60  | 0.850    | <b>H-030-50011</b> | 11    | 56.60  | 2.228    |
| <b>H-030-50005</b> | 5     | 26.60  | 1.047    | <b>H-030-50012</b> | 12    | 61.60  | 2.425    |
| <b>H-030-50006</b> | 6     | 31.60  | 1.244    |                    |       |        |          |
| <b>H-030-50007</b> | 7     | 36.60  | 1.441    | <b>H-030-50016</b> | 16    | 121.60 | 4.787    |
| <b>H-030-50008</b> | 8     | 41.60  | 1.638    |                    |       |        |          |

HEADERS • CLOSED 90° • PITCH: 5.08 MM



### TECHNICAL

|                               |                           |
|-------------------------------|---------------------------|
| SOLDER PIN:                   | 1.0 MM, BRASS, TIN PLATED |
| INSULATING BODY:              | POLYAMIDE66 (UL94V-0)     |
| COLOR:                        | GREEN                     |
| OPERATION TEMPERATURE:        | -55°C TO +105°C           |
| SHORT-TIME TEMPERATURE:       | UP TO 250°C (+482°F)      |
| CURRENT RATING:               | 12 AMP AC300V             |
| INSULATION WITHSTANDING VOLT: | AC2000V MIN               |
| INSULATION RESISTANCE:        | >5000Ω AT DC500V          |
| PDB HOLE DIAMETER:            | ψ 1.5 MM                  |

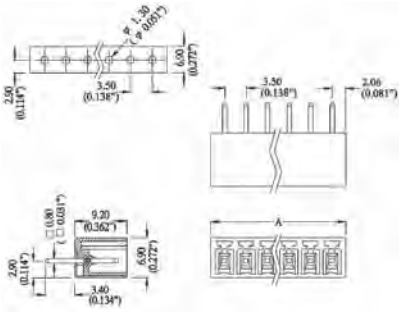
| ITEM No.           | POLES | A (MM) | A (INCH) | ITEM No.           | POLES | A (MM) | A (INCH) |
|--------------------|-------|--------|----------|--------------------|-------|--------|----------|
| <b>H-030-50802</b> | 2     | 11.76  | 0.463    | <b>H-030-50809</b> | 9     | 47.32  | 1.863    |
| <b>H-030-50803</b> | 3     | 16.84  | 0.663    | <b>H-030-50810</b> | 10    | 52.40  | 2.063    |
| <b>H-030-50804</b> | 4     | 21.92  | 0.863    | <b>H-030-50811</b> | 11    | 57.48  | 2.263    |
| <b>H-030-50805</b> | 5     | 27.00  | 1.063    | <b>H-030-50812</b> | 12    | 62.56  | 2.463    |
| <b>H-030-50806</b> | 6     | 32.08  | 1.263    |                    |       |        |          |
| <b>H-030-50807</b> | 7     | 37.16  | 1.463    | <b>H-030-50816</b> | 16    | 123.52 | 4.863    |
| <b>H-030-50808</b> | 8     | 42.24  | 1.663    |                    |       |        |          |



## PRINTED CIRCUIT BOARD

### HEADERS

#### HEADERS • CLOSED 180° • PITCH: 3.50 MM

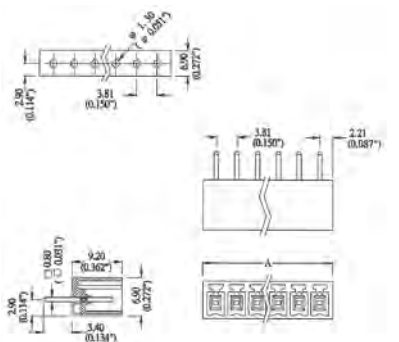


#### TECHNICAL

|                               |                           |
|-------------------------------|---------------------------|
| SOLDER PIN:                   | 0.8 MM, BRASS, TIN PLATED |
| INSULATING BODY:              | POLYAMIDE66 (UL94V-O)     |
| COLOR:                        | GREEN                     |
| OPERATION TEMPERATURE:        | -55°C TO +105°C           |
| SHORT-TIME TEMPERATURE:       | UP TO 250°C (+482°F)      |
| CURRENT RATING:               | 12 AMP AC300V             |
| INSULATION WITHSTANDING VOLT: | AC2000V MIN               |
| INSULATION RESISTANCE:        | >5000Ω AT DC500V          |
| PDB HOLE DIAMETER:            | φ 1.3 MM                  |

| ITEM No.           | POLES | A (MM) | A (INCH) | ITEM No.           | POLES | A (MM) | A (INCH) |
|--------------------|-------|--------|----------|--------------------|-------|--------|----------|
| <b>H-040-35002</b> | 2     | 7.60   | 0.299    | <b>H-040-35009</b> | 9     | 32.10  | 1.264    |
| <b>H-040-35003</b> | 3     | 11.10  | 0.437    | <b>H-040-35010</b> | 10    | 35.60  | 1.402    |
| <b>H-040-35004</b> | 4     | 14.60  | 0.575    | <b>H-040-35011</b> | 11    | 39.10  | 1.539    |
| <b>H-040-35005</b> | 5     | 18.10  | 0.713    | <b>H-040-35012</b> | 12    | 42.60  | 1.677    |
| <b>H-040-35006</b> | 6     | 21.60  | 0.850    | <b>H-040-35013</b> | 13    | 46.10  | 1.815    |
| <b>H-040-35007</b> | 7     | 25.10  | 0.988    | <b>H-040-35014</b> | 14    | 49.60  | 1.953    |
| <b>H-040-35008</b> | 8     | 28.60  | 1.126    |                    |       |        |          |

#### HEADERS • CLOSED 180° • PITCH: 3.81 MM



#### TECHNICAL

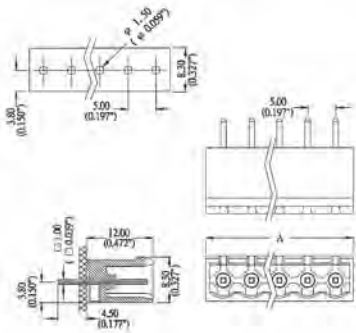
|                               |                           |
|-------------------------------|---------------------------|
| SOLDER PIN:                   | 0.8 MM, BRASS, TIN PLATED |
| INSULATING BODY:              | POLYAMIDE66 (UL94V-O)     |
| COLOR:                        | GREEN                     |
| OPERATION TEMPERATURE:        | -55°C TO +105°C           |
| SHORT-TIME TEMPERATURE:       | UP TO 250°C (+482°F)      |
| CURRENT RATING:               | 12 AMP AC300V             |
| INSULATION WITHSTANDING VOLT: | AC2000V MIN               |
| INSULATION RESISTANCE:        | >5000Ω AT DC500V          |
| PDB HOLE DIAMETER:            | φ 1.3 MM                  |

| ITEM No.           | POLES | A (MM) | A (INCH) | ITEM No.           | POLES | A (MM) | A (INCH) |
|--------------------|-------|--------|----------|--------------------|-------|--------|----------|
| <b>H-040-38102</b> | 2     | 8.23   | 0.324    | <b>H-040-38109</b> | 9     | 34.90  | 1.374    |
| <b>H-040-38103</b> | 3     | 12.04  | 0.474    | <b>H-040-38110</b> | 10    | 38.71  | 1.524    |
| <b>H-040-38104</b> | 4     | 15.85  | 0.624    | <b>H-040-38111</b> | 11    | 42.52  | 1.674    |
| <b>H-040-38105</b> | 5     | 19.66  | 0.774    | <b>H-040-38112</b> | 12    | 46.33  | 1.824    |
| <b>H-040-38106</b> | 6     | 23.47  | 0.924    |                    |       |        |          |
| <b>H-040-38107</b> | 7     | 27.28  | 1.074    | <b>H-040-38116</b> | 16    | 61.57  | 2.424    |
| <b>H-040-38108</b> | 8     | 31.09  | 1.224    |                    |       |        |          |

# PRINTED CIRCUIT BOARD

## HEADERS

### HEADERS • CLOSED 180° • PITCH: 5.00 MM

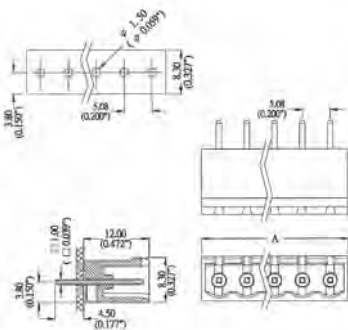


#### TECHNICAL

|                               |                           |
|-------------------------------|---------------------------|
| SOLDER PIN:                   | 1.0 MM, BRASS, TIN PLATED |
| INSULATING BODY:              | POLYAMIDE66 (UL94V-O)     |
| COLOR:                        | GREEN                     |
| OPERATION TEMPERATURE:        | -55°C TO +105°C           |
| SHORT-TIME TEMPERATURE:       | UP TO 250°C (+482°F)      |
| CURRENT RATING:               | 12 AMP AC300V             |
| INSULATION WITHSTANDING VOLT: | AC2000V MIN               |
| INSULATION RESISTANCE:        | >5000Ω AT DC500V          |
| PDB HOLE DIAMETER:            | φ 1.5 MM                  |

| ITEM NO.    | POLES | A (MM) | A (INCH) | ITEM NO.    | POLES | A (MM) | A (INCH) |
|-------------|-------|--------|----------|-------------|-------|--------|----------|
| H-040-50002 | 2     | 11.60  | 0.457    | H-040-50009 | 9     | 46.60  | 1.835    |
| H-040-50003 | 3     | 16.60  | 0.654    | H-040-50010 | 10    | 51.60  | 2.031    |
| H-040-50004 | 4     | 21.60  | 0.850    | H-040-50011 | 11    | 56.60  | 2.228    |
| H-040-50005 | 5     | 26.60  | 1.047    | H-040-50012 | 12    | 61.60  | 2.425    |
| H-040-50006 | 6     | 31.60  | 1.244    |             |       |        |          |
| H-040-50007 | 7     | 36.60  | 1.441    | H-040-50016 | 16    | 121.60 | 4.787    |
| H-040-50008 | 8     | 41.60  | 1.638    |             |       |        |          |

### HEADERS • CLOSED 180° • PITCH: 5.08 MM



#### TECHNICAL

|                               |                           |
|-------------------------------|---------------------------|
| SOLDER PIN:                   | 1.0 MM, BRASS, TIN PLATED |
| INSULATING BODY:              | POLYAMIDE66 (UL94V-O)     |
| COLOR:                        | GREEN                     |
| OPERATION TEMPERATURE:        | -55°C TO +105°C           |
| SHORT-TIME TEMPERATURE:       | UP TO 250°C (+482°F)      |
| CURRENT RATING:               | 12 AMP AC300V             |
| INSULATION WITHSTANDING VOLT: | AC2000V MIN               |
| INSULATION RESISTANCE:        | >5000Ω AT DC500V          |
| PDB HOLE DIAMETER:            | φ 1.5 MM                  |

| ITEM NO.    | POLES | A (MM) | A (INCH) | ITEM NO.    | POLES | A (MM) | A (INCH) |
|-------------|-------|--------|----------|-------------|-------|--------|----------|
| H-040-50802 | 2     | 11.76  | 0.463    | H-040-50809 | 9     | 47.32  | 1.863    |
| H-040-50803 | 3     | 16.84  | 0.663    | H-040-50810 | 10    | 52.40  | 2.063    |
| H-040-50804 | 4     | 21.92  | 0.863    | H-040-50811 | 11    | 57.48  | 2.263    |
| H-040-50805 | 5     | 27.00  | 1.063    | H-040-50812 | 12    | 62.56  | 2.463    |
| H-040-50806 | 6     | 32.08  | 1.263    |             |       |        |          |
| H-040-50807 | 7     | 37.16  | 1.463    | H-040-50816 | 16    | 123.52 | 4.863    |
| H-040-50808 | 8     | 42.24  | 1.663    |             |       |        |          |



## SCREWDRIVERS

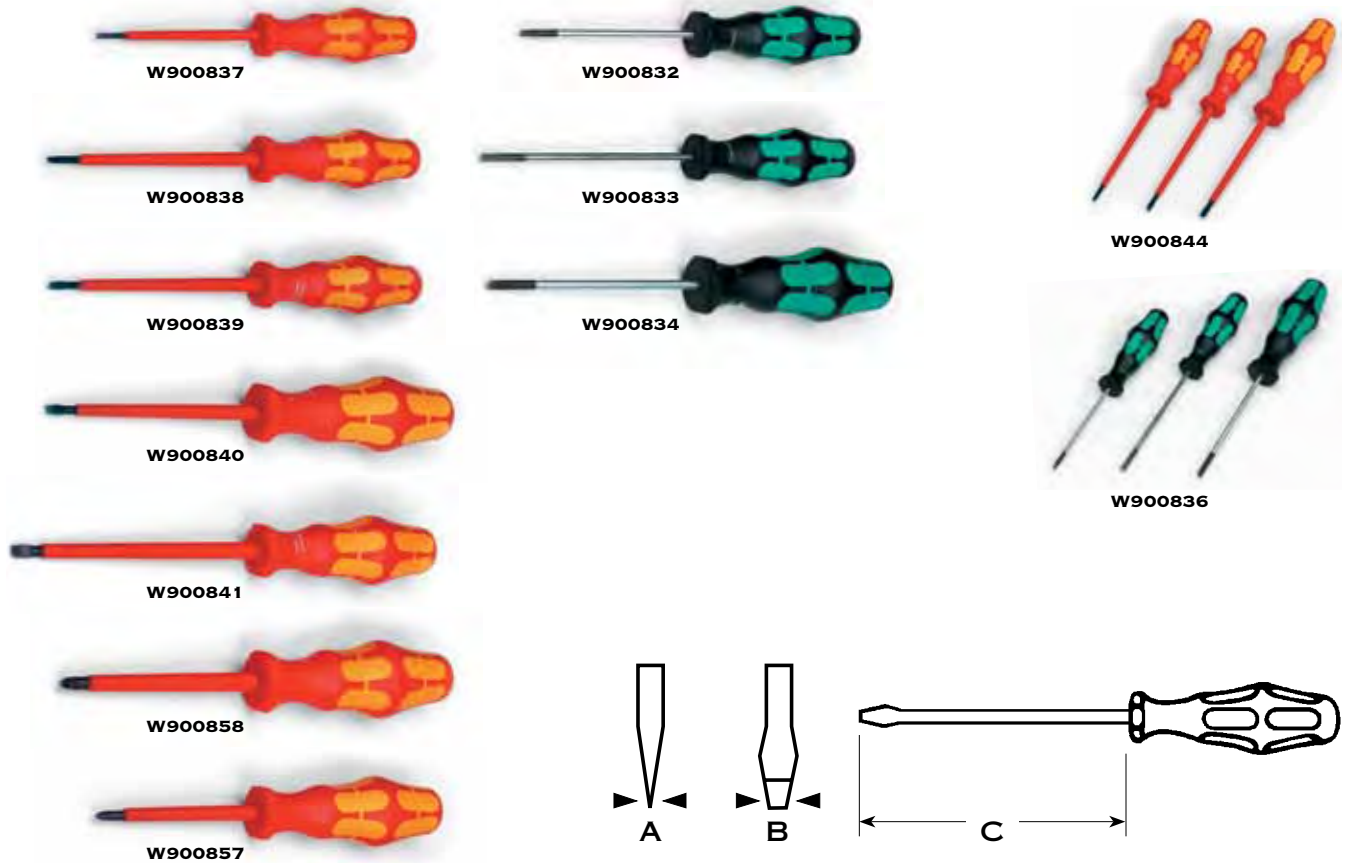
THE ERGONOMIC DESIGN OF OUR SCREWDRIVER HANDLES EFFICIENTLY HELP TO PROVIDE THE PROPER TIGHTENING TORQUE FOR YOUR TERMINAL BLOCK APPLICATION. INSULATION IS RATED AT 10,000V FOR YOUR SAFETY. THE TIPS OF OUR SCREWDRIVERS ARE MADE OF HARDENED STEEL FOR A LONGER TOOL LIFE.



# SCREWDRIVERS FOR TERMINAL BLOCKS

## FEATURES

- ERGONOMIC HANDLE PROVIDES PROPER TIGHTENING TORQUE
- IMPACT RESISTANT MATERIAL USED TO PROVIDE LONG LASTING USE
- INSULATION SLEEVE PROVIDES ISOLATION UP TO 10,000 V
- APPROVALS: DIN - VDE 0680/2, ISO, IEC 900, EN 60900



| DESCRIPTION                            | PART NO.   | A (MM) | B (MM) | C (MM) |
|--|--|--------|--------|--------|
| INSULATED SCREWDRIVERS                 | W900837  | 0.4    | 2.5    | 80     |
|  | W900838  | 0.5    | 3.0    | 100    |
|  | W900839  | 0.6    | 3.5    | 100    |
|  | W900840  | 0.8    | 4.0    | 100    |
|  | W900841  | 1.0    | 5.5    | 125    |
| KIT FOR INSULATED SCREWDRIVERS (3)     | W900844<br>(INCLUDES ONE OF EACH: W900838, W900839, W900840) |        |        |        |
| NON-INSULATED SCREWDRIVERS             | W900832  | 0.5    | 3.0    | 80     |
|  | W900833  | 0.6    | 3.5    | 100    |
|  | W900834  | 0.8    | 4.0    | 100    |
| KIT FOR NON-INSULATED SCREWDRIVERS (3) | W900836<br>(INCLUDES ONE OF EACH: W900832, W900833, W900834) |        |        |        |
| INSULATED PHILLIPS SCREWDRIVER         | W900858 (100 MM)   |        |        |        |
| NON-INSULATED PHILLIPS SCREWDRIVER     | W900857 (80 MM)  |        |        |        |