

## 阅读申明

- 1.本站收集的数据手册和产品资料都来自互联网，版权归原作者所有。如读者和版权方有任何异议请及时告之，我们将妥善解决。
- 2.本站提供的中文数据手册是英文数据手册的中文翻译，其目的是协助用户阅读，该译文无法自动跟随原稿更新，同时也可能存在翻译上的不当。建议读者以英文原稿为参考以便获得更精准的信息。
- 3.本站提供的产品资料，来自厂商的技术支持或者使用者的心得体会等，其内容可能存在描述上的差异，建议读者做出适当判断。
- 4.如需与我们联系，请发邮件到marketing@iczoom.com，主题请标有“数据手册”字样。

## Read Statement

1. The datasheets and other product information on the site are all from network reference or other public materials, and the copyright belongs to the original author and original published source. If readers and copyright owners have any objections, please contact us and we will deal with it in a timely manner.
2. The Chinese datasheets provided on the website is a Chinese translation of the English datasheets. Its purpose is for reader's learning exchange only and do not involve commercial purposes. The translation cannot be automatically updated with the original manuscript, and there may also be improper translations. Readers are advised to use the English manuscript as a reference for more accurate information.
3. All product information provided on the website refer to solutions from manufacturers' technical support or users the contents may have differences in description, and readers are advised to take the original article as the standard.
4. If you have any questions, please contact us at marketing@iczoom.com and mark the subject with "Datasheets" .

## UKK 3-MSTBVH-5,08

Order No.: 2770846

The illustration shows a combination as a 55-pos. version

<http://eshop.phoenixcontact.de/phoenix/treeViewClick.do?UID=2770846>

Feed-through modular terminal block, Nominal current: 12 A, Nominal voltage: 250 V, Cross section: 0.2 mm<sup>2</sup> - 4 mm<sup>2</sup>, AWG: 24 - 12, Mounting type: NS 35/7,5, NS 35/15, NS 32, Pitch: 5.08 mm, Width: 5.08, Color: gray

### Commercial data

|                          |                    |
|--------------------------|--------------------|
| EAN                      | 4017918068073      |
| Pack                     | 50 pcs.            |
| Customs tariff           | 85369010           |
| Weight/Piece             | 0.009514 KG        |
| Catalog page information | Page 325 (CL-2005) |

### Product notes

WEEE/RoHS-compliant since:  
01/01/2003



<http://www.download.phoenixcontact.com>  
Please note that the data given here has been taken from the online catalog. For comprehensive information and data, please refer to the user documentation. The General Terms and Conditions of Use apply to Internet downloads.

### Technical data

#### General

|                       |      |
|-----------------------|------|
| Number of levels      | 2    |
| Number of connections | 4    |
| Color                 | gray |

|                                    |    |
|------------------------------------|----|
| Insulating material                | PA |
| Inflammability class acc. to UL 94 | V2 |

**Technical data**

|                                |   |
|--------------------------------|---|
| Maximum load current           | 12 A (with 4 mm <sup>2</sup> conductor cross section) |
| Rated surge voltage            | 4 kV  |
| Pollution degree               | 3   |
| Surge voltage category         | III   |
| Insulating material group      | I   |
| Nominal current I <sub>N</sub> | 12 A  |
| Nominal voltage U <sub>N</sub> | 250 V   |

**Connection data**

|   |                                   |
|---|-----------------------------------|
| Connection labeling   | 1st and 2nd level connection left |
| Conductor cross section solid min.  | 0.2 mm <sup>2</sup>               |
| Conductor cross section solid max.  | 4 mm <sup>2</sup>                 |
| Conductor cross section stranded min.   | 0.2 mm <sup>2</sup>               |
| Conductor cross section stranded max.   | 2.5 mm <sup>2</sup>               |
| Conductor cross section AWG/kcmil min.  | 24                                |
| Conductor cross section AWG/kcmil max   | 12                                |
| Conductor cross section stranded, with ferrule without plastic sleeve min.              | 0.25 mm <sup>2</sup>              |
| Conductor cross section stranded, with ferrule without plastic sleeve max.              | 2.5 mm <sup>2</sup>               |
| Conductor cross section stranded, with ferrule with plastic sleeve min.                 | 0.25 mm <sup>2</sup>              |
| Conductor cross section stranded, with ferrule with plastic sleeve max.                 | 1.5 mm <sup>2</sup>               |
| 2 conductors with same cross section, solid min.  | 0.2 mm <sup>2</sup>               |
| 2 conductors with same cross section, solid max.  | 1.5 mm <sup>2</sup>               |
| 2 conductors with same cross section, stranded min.                                     | 0.2 mm <sup>2</sup>               |
| 2 conductors with same cross section, stranded max.                                     | 1 mm <sup>2</sup>                 |
| 2 conductors with same cross section, stranded, ferrules without plastic sleeve, min.   | 0.25 mm <sup>2</sup>              |
| 2 conductors with same cross section, stranded, ferrules without plastic sleeve, max.   | 0.5 mm <sup>2</sup>               |
| 2 conductors with same cross section, stranded, TWIN ferrules with plastic sleeve, min. | 0.5 mm <sup>2</sup>               |

|   |                               |
|---|-------------------------------|
| 2 conductors with same cross section, stranded, TWIN ferrules with plastic sleeve, max. | 1 mm <sup>2</sup>             |
| Type of connection  | Special and hybrid connection |
| Stripping length  | 8 mm                          |
| Internal cylindrical gage   | A3                            |
| Screw thread  | M3                            |
| Tightening torque, min  | 0.5 Nm                        |
| Tightening torque max   | 0.6 Nm                        |

### Certificates / Approvals



Certification CB, CSA, GOST, UL, VDE-PZI

#### CSA

|                       |       |
|-----------------------|-------|
| Nominal voltage $U_N$ | 300 V |
| Nominal current $I_N$ | 20 A  |
| AWG/kcmil             | 28-12 |

#### UL

|                       |       |
|-----------------------|-------|
| Nominal voltage $U_N$ | 300 V |
| Nominal current $I_N$ | 10 A  |
| AWG/kcmil             | 30-12 |

### Accessories

| Item            | Designation            | Description  |
|-----------------|------------------------|--|
| <b>Assembly</b> |                        |  |
| 3022218         | CLIPFIX 35             | Snap-on end bracket, for 35 mm NS 35/7.5 or NS 35/15 DIN rail, can be fitted with Zack strip ZB 8 and ZB 8/27, terminal strip marker KLM 2 and KLM, width: 9.5 mm, color: gray |
| 2770875         | D-UKK 3-MSTBVH-5,08    | End cover, Length: 56.7 mm, Width: 2.5 mm, Height: 52.3 mm, Color: gray  |
| 2770862         | D-UKK 3-MSTBVH-5,08 L  | End cover, Length: 56.7 mm, Width: 2.5 mm, Height: 52.3 mm, Color: gray  |
| 1201413         | E/UK 1                 | End brackets, for supporting the ends of double-level and three-level terminal blocks, width: 10 mm, color: gray   |
| 1201028         | NS 32 AL UNPERF 2000MM | G rail 32 mm (NS 32)   |

|         |                               |  |
|---------|-------------------------------|--|
| 1201280 | NS 32 CU/120QMM UNPERF 2000MM | G-profile DIN rail, deep-drawn, material: Copper, unperforated, height 15 mm, width 32 mm, length 2 m                        |
| 1201358 | NS 32 CU/35QMM UNPERF 2000MM  | G-profile DIN rail, material: Copper, unperforated, height 15 mm, width 32 mm, length 2 m                                    |
| 1201002 | NS 32 PERF 2000MM             | G-profile DIN rail, material: Steel, perforated, height 15 mm, width 32 mm, length 2 m                                       |
| 1201015 | NS 32 UNPERF 2000MM           | G-profile DIN rail, material: Steel, unperforated, height 15 mm, width 32 mm, length 2 m                                     |
| 0801762 | NS 35/ 7,5 CU UNPERF 2000MM   | DIN rail, material: Copper, unperforated, height 7.5 mm, width 35 mm, length: 2 m  |
| 0801733 | NS 35/ 7,5 PERF 2000MM        | DIN rail, material: Steel, galvanized and passivated with a thick layer, perforated, height 7.5 mm, width 35 mm, length: 2 m |
| 0801681 | NS 35/ 7,5 UNPERF 2000MM      | DIN rail, material: Steel, unperforated, height 7.5 mm, width 35 mm, length: 2 m   |
| 1201756 | NS 35/15 AL UNPERF 2000MM     | DIN rail, deep-drawn, high profile, unperforated, 1.5 mm thick, material: Aluminum, height 15 mm, width 35 mm, length 2 m    |
| 1201895 | NS 35/15 CU UNPERF 2000MM     | DIN rail, material: Copper, unperforated, 1.5 mm thick, height 15 mm, width 35 mm, length: 2 m                               |
| 1201730 | NS 35/15 PERF 2000MM          | DIN rail, material: Steel, perforated, height 15 mm, width 35 mm, length: 2 m  |
| 1201714 | NS 35/15 UNPERF 2000MM        | DIN rail, material: Steel, unperforated, height 15 mm, width 35 mm, length: 2 m  |
| 1201798 | NS 35/15-2,3 UNPERF 2000MM    | DIN rail, material: Steel, unperforated, 2.3 mm thick, height 15 mm, width 35 mm, length: 2 m                                |

**Bridges**

|         |          |   |
|---------|----------|---|
| 2303145 | EBL 2- 5 | Cross connector/bridge, Number of positions: 2, Color: gray |
| 2303158 | EBL 3- 5 | Cross connector/bridge, Number of positions: 3, Color: gray |

**Marking**

|         |                    |  |
|---------|--------------------|--|
| 1007219 | SBS 5:UNBEDRUCKT   | Marker cards for modular terminal blocks, color: white   |
| 0809793 | ZB 5,08:UNBEDRUCKT | Zack strip, unprinted: 10-section, for individual labeling with M-PEN, ZB-T or CMS system, sufficient for 100 terminal blocks per pack |

**Tools**

|         |             |  |
|---------|-------------|--|
| 1205053 | SZS 0,6X3,5 | Screwdriver, bladed, matches all screw terminal blocks up to 4.0 mm <sup>2</sup> connection cross section, blade: 0.6 x 3.5 mm, without VDE approval |
|---------|-------------|--|

### Additional products

| Item           | Designation        | Description   |
|----------------|--------------------|---|
| <b>General</b> |                    |   |
| 1873058        | FKC 2,5/ 2-ST-5,08 | Plug component, Nominal current: 12 A, Nom. voltage: 250 V, Pitch: 5.08 mm, Number of positions: 2, Connection type: Spring-cage conn., Color: green  |
| 1873061        | FKC 2,5/ 3-ST-5,08 | Plug component, Nominal current: 12 A, Nom. voltage: 250 V, Pitch: 5.08 mm, Number of positions: 3, Connection type: Spring-cage conn., Color: green  |
| 1873074        | FKC 2,5/ 4-ST-5,08 | Plug component, Nominal current: 12 A, Nom. voltage: 250 V, Pitch: 5.08 mm, Number of positions: 4, Connection type: Spring-cage conn., Color: green  |
| 1873087        | FKC 2,5/ 5-ST-5,08 | Plug component, Nominal current: 12 A, Nom. voltage: 250 V, Pitch: 5.08 mm, Number of positions: 5, Connection type: Spring-cage conn., Color: green  |
| 1873090        | FKC 2,5/ 6-ST-5,08 | Plug component, Nominal current: 12 A, Nom. voltage: 250 V, Pitch: 5.08 mm, Number of positions: 6, Connection type: Spring-cage conn., Color: green  |
| 1873100        | FKC 2,5/ 7-ST-5,08 | Plug component, Nominal current: 12 A, Nom. voltage: 250 V, Pitch: 5.08 mm, Number of positions: 7, Connection type: Spring-cage conn., Color: green  |
| 1873113        | FKC 2,5/ 8-ST-5,08 | Plug component, Nominal current: 12 A, Nom. voltage: 250 V, Pitch: 5.08 mm, Number of positions: 8, Connection type: Spring-cage conn., Color: green  |
| 1873126        | FKC 2,5/ 9-ST-5,08 | Plug component, Nominal current: 12 A, Nom. voltage: 250 V, Pitch: 5.08 mm, Number of positions: 9, Connection type: Spring-cage conn., Color: green  |
| 1873139        | FKC 2,5/10-ST-5,08 | Plug component, Nominal current: 12 A, Nom. voltage: 250 V, Pitch: 5.08 mm, Number of positions: 10, Connection type: Spring-cage conn., Color: green |
| 1873142        | FKC 2,5/11-ST-5,08 | Plug component, Nominal current: 12 A, Nom. voltage: 250 V, Pitch: 5.08 mm, Number of positions: 11, Connection type: Spring-cage conn., Color: green |
| 1873155        | FKC 2,5/12-ST-5,08 | Plug component, Nominal current: 12 A, Nom. voltage: 250 V, Pitch: 5.08 mm, Number of positions: 12, Connection type: Spring-cage conn., Color: green |
| 1873168        | FKC 2,5/13-ST-5,08 | Plug component, Nominal current: 12 A, Nom. voltage: 250 V, Pitch: 5.08 mm, Number of positions: 13, Connection type: Spring-cage conn., Color: green |
| 1873171        | FKC 2,5/14-ST-5,08 | Plug component, Nominal current: 12 A, Nom. voltage: 250 V, Pitch: 5.08 mm, Number of positions: 14, Connection type: Spring-cage conn., Color: green |
| 1873184        | FKC 2,5/15-ST-5,08 | Plug component, Nominal current: 12 A, Nom. voltage: 250 V, Pitch: 5.08 mm, Number of positions: 15, Connection type: Spring-cage conn., Color: green |

|         |                           |   |
|---------|---------------------------|---|
| 1873197 | FKC 2,5/16-ST-5,08        | Plug component, Nominal current: 12 A, Nom. voltage: 250 V, Pitch: 5.08 mm, Number of positions: 16, Connection type: Spring-cage conn., Color: green |
| 1777280 | FRONT-MSTB 2,5/ 2-ST-5,08 | Plug component, Nominal current: 12 A, Nom. voltage: 250 V, Pitch: 5.08 mm, Number of positions: 2, Connection type: Screw connection, Color: green   |
| 1777293 | FRONT-MSTB 2,5/ 3-ST-5,08 | Plug component, Nominal current: 12 A, Nom. voltage: 250 V, Pitch: 5.08 mm, Number of positions: 3, Connection type: Screw connection, Color: green   |
| 1777303 | FRONT-MSTB 2,5/ 4-ST-5,08 | Plug component, Nominal current: 12 A, Nom. voltage: 250 V, Pitch: 5.08 mm, Number of positions: 4, Connection type: Screw connection, Color: green   |
| 1777316 | FRONT-MSTB 2,5/ 5-ST-5,08 | Plug component, Nominal current: 12 A, Nom. voltage: 250 V, Pitch: 5.08 mm, Number of positions: 5, Connection type: Screw connection, Color: green   |
| 1777329 | FRONT-MSTB 2,5/ 6-ST-5,08 | Plug component, Nominal current: 12 A, Nom. voltage: 250 V, Pitch: 5.08 mm, Number of positions: 6, Connection type: Screw connection, Color: green   |
| 1777332 | FRONT-MSTB 2,5/ 7-ST-5,08 | Plug component, Nominal current: 12 A, Nom. voltage: 250 V, Pitch: 5.08 mm, Number of positions: 7, Connection type: Screw connection, Color: green   |
| 1777345 | FRONT-MSTB 2,5/ 8-ST-5,08 | Plug component, Nominal current: 12 A, Nom. voltage: 250 V, Pitch: 5.08 mm, Number of positions: 8, Connection type: Screw connection, Color: green   |
| 1777358 | FRONT-MSTB 2,5/ 9-ST-5,08 | Plug component, Nominal current: 12 A, Nom. voltage: 250 V, Pitch: 5.08 mm, Number of positions: 9, Connection type: Screw connection, Color: green   |
| 1777361 | FRONT-MSTB 2,5/10-ST-5,08 | Plug component, Nominal current: 12 A, Nom. voltage: 250 V, Pitch: 5.08 mm, Number of positions: 10, Connection type: Screw connection, Color: green  |
| 1777374 | FRONT-MSTB 2,5/11-ST-5,08 | Plug component, Nominal current: 12 A, Nom. voltage: 250 V, Pitch: 5.08 mm, Number of positions: 11, Connection type: Screw connection, Color: green  |
| 1777387 | FRONT-MSTB 2,5/12-ST-5,08 | Plug component, Nominal current: 12 A, Nom. voltage: 250 V, Pitch: 5.08 mm, Number of positions: 12, Connection type: Screw connection, Color: green  |
| 1777390 | FRONT-MSTB 2,5/13-ST-5,08 | Plug component, Nominal current: 12 A, Nom. voltage: 250 V, Pitch: 5.08 mm, Number of positions: 13, Connection type: Screw connection, Color: green  |
| 1777400 | FRONT-MSTB 2,5/14-ST-5,08 | Plug component, Nominal current: 12 A, Nom. voltage: 250 V, Pitch: 5.08 mm, Number of positions: 14, Connection type: Screw connection, Color: green  |
| 1777413 | FRONT-MSTB 2,5/15-ST-5,08 | Plug component, Nominal current: 12 A, Nom. voltage: 250 V, Pitch: 5.08 mm, Number of positions: 15, Connection type: Screw connection, Color: green  |
| 1777426 | FRONT-MSTB 2,5/16-ST-5,08 | Plug component, Nominal current: 12 A, Nom. voltage: 250 V, Pitch: 5.08 mm, Number of positions: 16, Connection type: Screw connection, Color: green  |

|         |                           |  |
|---------|---------------------------|--|
| 1777439 | FRONT-MSTB 2,5/17-ST-5,08 | Plug component, Nominal current: 12 A, Nom. voltage: 250 V, Pitch: 5.08 mm, Number of positions: 17, Connection type: Screw connection, Color: green |
| 1777442 | FRONT-MSTB 2,5/18-ST-5,08 | Plug component, Nominal current: 12 A, Nom. voltage: 250 V, Pitch: 5.08 mm, Number of positions: 18, Connection type: Screw connection, Color: green |
| 1777455 | FRONT-MSTB 2,5/19-ST-5,08 | Plug component, Nominal current: 12 A, Nom. voltage: 250 V, Pitch: 5.08 mm, Number of positions: 19, Connection type: Screw connection, Color: green |
| 1777468 | FRONT-MSTB 2,5/20-ST-5,08 | Plug component, Nominal current: 12 A, Nom. voltage: 250 V, Pitch: 5.08 mm, Number of positions: 20, Connection type: Screw connection, Color: green |
| 1777471 | FRONT-MSTB 2,5/21-ST-5,08 | Plug component, Nominal current: 12 A, Nom. voltage: 250 V, Pitch: 5.08 mm, Number of positions: 21, Connection type: Screw connection, Color: green |
| 1777484 | FRONT-MSTB 2,5/22-ST-5,08 | Plug component, Nominal current: 12 A, Nom. voltage: 250 V, Pitch: 5.08 mm, Number of positions: 22, Connection type: Screw connection, Color: green |
| 1777497 | FRONT-MSTB 2,5/23-ST-5,08 | Plug component, Nominal current: 12 A, Nom. voltage: 250 V, Pitch: 5.08 mm, Number of positions: 23, Connection type: Screw connection, Color: green |
| 1777507 | FRONT-MSTB 2,5/24-ST-5,08 | Plug component, Nominal current: 12 A, Nom. voltage: 250 V, Pitch: 5.08 mm, Number of positions: 24, Connection type: Screw connection, Color: green |
| 1757019 | MSTB 2,5/ 2-ST-5,08       | Plug component, Nominal current: 12 A, Nom. voltage: 250 V, Pitch: 5.08 mm, Number of positions: 2, Connection type: Screw connection, Color: green  |
| 1757022 | MSTB 2,5/ 3-ST-5,08       | Plug component, Nominal current: 12 A, Nom. voltage: 250 V, Pitch: 5.08 mm, Number of positions: 3, Connection type: Screw connection, Color: green  |
| 1776168 | MSTB 2,5/ 3-STZ-5,08      | Plug component, Nominal current: 12 A, Nom. voltage: 250 V, Pitch: 5.08 mm, Number of positions: 3, Connection type: Screw connection, Color: green  |
| 1757035 | MSTB 2,5/ 4-ST-5,08       | Plug component, Nominal current: 12 A, Nom. voltage: 250 V, Pitch: 5.08 mm, Number of positions: 4, Connection type: Screw connection, Color: green  |
| 1776155 | MSTB 2,5/ 4-STZ-5,08      | Plug component, Nominal current: 12 A, Nom. voltage: 250 V, Pitch: 5.08 mm, Number of positions: 4, Connection type: Screw connection, Color: green  |
| 1757048 | MSTB 2,5/ 5-ST-5,08       | Plug component, Nominal current: 12 A, Nom. voltage: 250 V, Pitch: 5.08 mm, Number of positions: 5, Connection type: Screw connection, Color: green  |
| 1776142 | MSTB 2,5/ 5-STZ-5,08      | Plug component, Nominal current: 12 A, Nom. voltage: 250 V, Pitch: 5.08 mm, Number of positions: 5, Connection type: Screw connection, Color: green  |
| 1757051 | MSTB 2,5/ 6-ST-5,08       | Plug component, Nominal current: 12 A, Nom. voltage: 250 V, Pitch: 5.08 mm, Number of positions: 6, Connection type: Screw connection, Color: green  |



|         |                      |  |
|---------|----------------------|--|
| 1776126 | MSTB 2,5/ 6-STZ-5,08 | Plug component, Nominal current: 12 A, Nom. voltage: 250 V, Pitch: 5.08 mm, Number of positions: 6, Connection type: Screw connection, Color: green  |
| 1757064 | MSTB 2,5/ 7-ST-5,08  | Plug component, Nominal current: 12 A, Nom. voltage: 250 V, Pitch: 5.08 mm, Number of positions: 7, Connection type: Screw connection, Color: green  |
| 1776113 | MSTB 2,5/ 7-STZ-5,08 | Plug component, Nominal current: 12 A, Nom. voltage: 250 V, Pitch: 5.08 mm, Number of positions: 7, Connection type: Screw connection, Color: green  |
| 1757077 | MSTB 2,5/ 8-ST-5,08  | Plug component, Nominal current: 12 A, Nom. voltage: 250 V, Pitch: 5.08 mm, Number of positions: 8, Connection type: Screw connection, Color: green  |
| 1764235 | MSTB 2,5/ 8-STZ-5,08 | Plug component, Nominal current: 12 A, Nom. voltage: 250 V, Pitch: 5.08 mm, Number of positions: 8, Connection type: Screw connection, Color: green  |
| 1757080 | MSTB 2,5/ 9-ST-5,08  | Plug component, Nominal current: 12 A, Nom. voltage: 250 V, Pitch: 5.08 mm, Number of positions: 9, Connection type: Screw connection, Color: green  |
| 1764316 | MSTB 2,5/ 9-STZ-5,08 | Plug component, Nominal current: 12 A, Nom. voltage: 250 V, Pitch: 5.08 mm, Number of positions: 9, Connection type: Screw connection, Color: green  |
| 1757093 | MSTB 2,5/10-ST-5,08  | Plug component, Nominal current: 12 A, Nom. voltage: 250 V, Pitch: 5.08 mm, Number of positions: 10, Connection type: Screw connection, Color: green |
| 1764303 | MSTB 2,5/10-STZ-5,08 | Plug component, Nominal current: 12 A, Nom. voltage: 250 V, Pitch: 5.08 mm, Number of positions: 10, Connection type: Screw connection, Color: green |
| 1757103 | MSTB 2,5/11-ST-5,08  | Plug component, Nominal current: 12 A, Nom. voltage: 250 V, Pitch: 5.08 mm, Number of positions: 11, Connection type: Screw connection, Color: green |
| 1764293 | MSTB 2,5/11-STZ-5,08 | Plug component, Nominal current: 12 A, Nom. voltage: 250 V, Pitch: 5.08 mm, Number of positions: 11, Connection type: Screw connection, Color: green |
| 1757116 | MSTB 2,5/12-ST-5,08  | Plug component, Nominal current: 12 A, Nom. voltage: 250 V, Pitch: 5.08 mm, Number of positions: 12, Connection type: Screw connection, Color: green |
| 1764280 | MSTB 2,5/12-STZ-5,08 | Plug component, Nominal current: 12 A, Nom. voltage: 250 V, Pitch: 5.08 mm, Number of positions: 12, Connection type: Screw connection, Color: green |
| 1757129 | MSTB 2,5/13-ST-5,08  | Plug component, Nominal current: 12 A, Nom. voltage: 250 V, Pitch: 5.08 mm, Number of positions: 13, Connection type: Screw connection, Color: green |
| 1764277 | MSTB 2,5/13-STZ-5,08 | Plug component, Nominal current: 12 A, Nom. voltage: 250 V, Pitch: 5.08 mm, Number of positions: 13, Connection type: Screw connection, Color: green |
| 1757132 | MSTB 2,5/14-ST-5,08  | Plug component, Nominal current: 12 A, Nom. voltage: 250 V, Pitch: 5.08 mm, Number of positions: 14, Connection type: Screw connection, Color: green |

|         |                       |  |
|---------|-----------------------|--|
| 1764264 | MSTB 2,5/14-STZ-5,08  | Plug component, Nominal current: 12 A, Nom. voltage: 250 V, Pitch: 5.08 mm, Number of positions: 14, Connection type: Screw connection, Color: green |
| 1757145 | MSTB 2,5/15-ST-5,08   | Plug component, Nominal current: 12 A, Nom. voltage: 250 V, Pitch: 5.08 mm, Number of positions: 15, Connection type: Screw connection, Color: green |
| 1764251 | MSTB 2,5/15-STZ-5,08  | Plug component, Nominal current: 12 A, Nom. voltage: 250 V, Pitch: 5.08 mm, Number of positions: 15, Connection type: Screw connection, Color: green |
| 1757158 | MSTB 2,5/16-ST-5,08   | Plug component, Nominal current: 12 A, Nom. voltage: 250 V, Pitch: 5.08 mm, Number of positions: 16, Connection type: Screw connection, Color: green |
| 1764248 | MSTB 2,5/16-STZ-5,08  | Plug component, Nominal current: 12 A, Nom. voltage: 250 V, Pitch: 5.08 mm, Number of positions: 16, Connection type: Screw connection, Color: green |
| 1757161 | MSTB 2,5/17-ST-5,08   | Plug component, Nominal current: 12 A, Nom. voltage: 250 V, Pitch: 5.08 mm, Number of positions: 17, Connection type: Screw connection, Color: green |
| 1757174 | MSTB 2,5/18-ST-5,08   | Plug component, Nominal current: 12 A, Nom. voltage: 250 V, Pitch: 5.08 mm, Number of positions: 18, Connection type: Screw connection, Color: green |
| 1757187 | MSTB 2,5/19-ST-5,08   | Plug component, Nominal current: 12 A, Nom. voltage: 250 V, Pitch: 5.08 mm, Number of positions: 19, Connection type: Screw connection, Color: green |
| 1757190 | MSTB 2,5/20-ST-5,08   | Plug component, Nominal current: 12 A, Nom. voltage: 250 V, Pitch: 5.08 mm, Number of positions: 20, Connection type: Screw connection, Color: green |
| 1757200 | MSTB 2,5/21-ST-5,08   | Plug component, Nominal current: 12 A, Nom. voltage: 250 V, Pitch: 5.08 mm, Number of positions: 21, Connection type: Screw connection, Color: green |
| 1757213 | MSTB 2,5/22-ST-5,08   | Plug component, Nominal current: 12 A, Nom. voltage: 250 V, Pitch: 5.08 mm, Number of positions: 22, Connection type: Screw connection, Color: green |
| 1757226 | MSTB 2,5/23-ST-5,08   | Plug component, Nominal current: 12 A, Nom. voltage: 250 V, Pitch: 5.08 mm, Number of positions: 23, Connection type: Screw connection, Color: green |
| 1757239 | MSTB 2,5/24-ST-5,08   | Plug component, Nominal current: 12 A, Nom. voltage: 250 V, Pitch: 5.08 mm, Number of positions: 24, Connection type: Screw connection, Color: green |
| 1808816 | MSTBC 2,5/ 2-ST-5,08  | Plug component, Nominal current: 12 A, Nom. voltage: 320 V, Pitch: 5.08 mm, Number of positions: 2, Connection type: Crimp connection, Color: green  |
| 1809501 | MSTBC 2,5/ 2-STZ-5,08 | Plug component, Nominal current: 12 A, Nom. voltage: 320 V, Pitch: 5.08 mm, Number of positions: 2, Connection type: Crimp connection, Color: green  |
| 1808829 | MSTBC 2,5/ 3-ST-5,08  | Plug component, Nominal current: 12 A, Nom. voltage: 320 V, Pitch: 5.08 mm, Number of positions: 3, Connection type: Crimp connection, Color: green  |

|         |                       |  |
|---------|-----------------------|--|
| 1809514 | MSTBC 2,5/ 3-STZ-5,08 | Plug component, Nominal current: 12 A, Nom. voltage: 320 V, Pitch: 5.08 mm, Number of positions: 3, Connection type: Crimp connection, Color: green  |
| 1808832 | MSTBC 2,5/ 4-ST-5,08  | Plug component, Nominal current: 12 A, Nom. voltage: 320 V, Pitch: 5.08 mm, Number of positions: 4, Connection type: Crimp connection, Color: green  |
| 1809527 | MSTBC 2,5/ 4-STZ-5,08 | Plug component, Nominal current: 12 A, Nom. voltage: 320 V, Pitch: 5.08 mm, Number of positions: 4, Connection type: Crimp connection, Color: green  |
| 1808845 | MSTBC 2,5/ 5-ST-5,08  | Plug component, Nominal current: 12 A, Nom. voltage: 320 V, Pitch: 5.08 mm, Number of positions: 5, Connection type: Crimp connection, Color: green  |
| 1809530 | MSTBC 2,5/ 5-STZ-5,08 | Plug component, Nominal current: 12 A, Nom. voltage: 320 V, Pitch: 5.08 mm, Number of positions: 5, Connection type: Crimp connection, Color: green  |
| 1808858 | MSTBC 2,5/ 6-ST-5,08  | Plug component, Nominal current: 12 A, Nom. voltage: 320 V, Pitch: 5.08 mm, Number of positions: 6, Connection type: Crimp connection, Color: green  |
| 1809543 | MSTBC 2,5/ 6-STZ-5,08 | Plug component, Nominal current: 12 A, Nom. voltage: 320 V, Pitch: 5.08 mm, Number of positions: 6, Connection type: Crimp connection, Color: green  |
| 1808861 | MSTBC 2,5/ 7-ST-5,08  | Plug component, Nominal current: 12 A, Nom. voltage: 320 V, Pitch: 5.08 mm, Number of positions: 7, Connection type: Crimp connection, Color: green  |
| 1809556 | MSTBC 2,5/ 7-STZ-5,08 | Plug component, Nominal current: 12 A, Nom. voltage: 320 V, Pitch: 5.08 mm, Number of positions: 7, Connection type: Crimp connection, Color: green  |
| 1808874 | MSTBC 2,5/ 8-ST-5,08  | Plug component, Nominal current: 12 A, Nom. voltage: 320 V, Pitch: 5.08 mm, Number of positions: 8, Connection type: Crimp connection, Color: green  |
| 1809569 | MSTBC 2,5/ 8-STZ-5,08 | Plug component, Nominal current: 12 A, Nom. voltage: 320 V, Pitch: 5.08 mm, Number of positions: 8, Connection type: Crimp connection, Color: green  |
| 1808887 | MSTBC 2,5/ 9-ST-5,08  | Plug component, Nominal current: 12 A, Nom. voltage: 320 V, Pitch: 5.08 mm, Number of positions: 9, Connection type: Crimp connection, Color: green  |
| 1809572 | MSTBC 2,5/ 9-STZ-5,08 | Plug component, Nominal current: 12 A, Nom. voltage: 320 V, Pitch: 5.08 mm, Number of positions: 9, Connection type: Crimp connection, Color: green  |
| 1808890 | MSTBC 2,5/10-ST-5,08  | Plug component, Nominal current: 12 A, Nom. voltage: 320 V, Pitch: 5.08 mm, Number of positions: 10, Connection type: Crimp connection, Color: green |
| 1809585 | MSTBC 2,5/10-STZ-5,08 | Plug component, Nominal current: 12 A, Nom. voltage: 320 V, Pitch: 5.08 mm, Number of positions: 10, Connection type: Crimp connection, Color: green |
| 1808900 | MSTBC 2,5/11-ST-5,08  | Plug component, Nominal current: 12 A, Nom. voltage: 320 V, Pitch: 5.08 mm, Number of positions: 11, Connection type: Crimp connection, Color: green |

|         |                       |  |
|---------|-----------------------|--|
| 1809598 | MSTBC 2,5/11-STZ-5,08 | Plug component, Nominal current: 12 A, Nom. voltage: 320 V, Pitch: 5.08 mm, Number of positions: 11, Connection type: Crimp connection, Color: green |
| 1808913 | MSTBC 2,5/12-ST-5,08  | Plug component, Nominal current: 12 A, Nom. voltage: 320 V, Pitch: 5.08 mm, Number of positions: 12, Connection type: Crimp connection, Color: green |
| 1809608 | MSTBC 2,5/12-STZ-5,08 | Plug component, Nominal current: 12 A, Nom. voltage: 320 V, Pitch: 5.08 mm, Number of positions: 12, Connection type: Crimp connection, Color: green |
| 1808926 | MSTBC 2,5/13-ST-5,08  | Plug component, Nominal current: 12 A, Nom. voltage: 320 V, Pitch: 5.08 mm, Number of positions: 13, Connection type: Crimp connection, Color: green |
| 1809611 | MSTBC 2,5/13-STZ-5,08 | Plug component, Nominal current: 12 A, Nom. voltage: 320 V, Pitch: 5.08 mm, Number of positions: 13, Connection type: Crimp connection, Color: green |
| 1808939 | MSTBC 2,5/14-ST-5,08  | Plug component, Nominal current: 12 A, Nom. voltage: 320 V, Pitch: 5.08 mm, Number of positions: 14, Connection type: Crimp connection, Color: green |
| 1809624 | MSTBC 2,5/14-STZ-5,08 | Plug component, Nominal current: 12 A, Nom. voltage: 320 V, Pitch: 5.08 mm, Number of positions: 14, Connection type: Crimp connection, Color: green |
| 1808942 | MSTBC 2,5/15-ST-5,08  | Plug component, Nominal current: 12 A, Nom. voltage: 320 V, Pitch: 5.08 mm, Number of positions: 15, Connection type: Crimp connection, Color: green |
| 1809637 | MSTBC 2,5/15-STZ-5,08 | Plug component, Nominal current: 12 A, Nom. voltage: 320 V, Pitch: 5.08 mm, Number of positions: 15, Connection type: Crimp connection, Color: green |
| 1808955 | MSTBC 2,5/16-ST-5,08  | Plug component, Nominal current: 12 A, Nom. voltage: 320 V, Pitch: 5.08 mm, Number of positions: 16, Connection type: Crimp connection, Color: green |
| 1809640 | MSTBC 2,5/16-STZ-5,08 | Plug component, Nominal current: 12 A, Nom. voltage: 320 V, Pitch: 5.08 mm, Number of positions: 16, Connection type: Crimp connection, Color: green |
| 1808968 | MSTBC 2,5/17-ST-5,08  | Plug component, Nominal current: 12 A, Nom. voltage: 320 V, Pitch: 5.08 mm, Number of positions: 17, Connection type: Crimp connection, Color: green |
| 1809653 | MSTBC 2,5/17-STZ-5,08 | Plug component, Nominal current: 12 A, Nom. voltage: 320 V, Pitch: 5.08 mm, Number of positions: 17, Connection type: Crimp connection, Color: green |
| 1808971 | MSTBC 2,5/18-ST-5,08  | Plug component, Nominal current: 12 A, Nom. voltage: 320 V, Pitch: 5.08 mm, Number of positions: 18, Connection type: Crimp connection, Color: green |
| 1809666 | MSTBC 2,5/18-STZ-5,08 | Plug component, Nominal current: 12 A, Nom. voltage: 320 V, Pitch: 5.08 mm, Number of positions: 18, Connection type: Crimp connection, Color: green |
| 1808984 | MSTBC 2,5/19-ST-5,08  | Plug component, Nominal current: 12 A, Nom. voltage: 320 V, Pitch: 5.08 mm, Number of positions: 19, Connection type: Crimp connection, Color: green |

|         |                       |  |
|---------|-----------------------|--|
| 1809679 | MSTBC 2,5/19-STZ-5,08 | Plug component, Nominal current: 12 A, Nom. voltage: 320 V, Pitch: 5.08 mm, Number of positions: 19, Connection type: Crimp connection, Color: green |
| 1808997 | MSTBC 2,5/20-ST-5,08  | Plug component, Nominal current: 12 A, Nom. voltage: 320 V, Pitch: 5.08 mm, Number of positions: 20, Connection type: Crimp connection, Color: green |
| 1809682 | MSTBC 2,5/20-STZ-5,08 | Plug component, Nominal current: 12 A, Nom. voltage: 320 V, Pitch: 5.08 mm, Number of positions: 20, Connection type: Crimp connection, Color: green |
| 1809006 | MSTBC 2,5/21-ST-5,08  | Plug component, Nominal current: 12 A, Nom. voltage: 320 V, Pitch: 5.08 mm, Number of positions: 21, Connection type: Crimp connection, Color: green |
| 1809695 | MSTBC 2,5/21-STZ-5,08 | Plug component, Nominal current: 12 A, Nom. voltage: 320 V, Pitch: 5.08 mm, Number of positions: 21, Connection type: Crimp connection, Color: green |
| 1809019 | MSTBC 2,5/22-ST-5,08  | Plug component, Nominal current: 12 A, Nom. voltage: 320 V, Pitch: 5.08 mm, Number of positions: 22, Connection type: Crimp connection, Color: green |
| 1809705 | MSTBC 2,5/22-STZ-5,08 | Plug component, Nominal current: 12 A, Nom. voltage: 320 V, Pitch: 5.08 mm, Number of positions: 22, Connection type: Crimp connection, Color: green |
| 1809022 | MSTBC 2,5/23-ST-5,08  | Plug component, Nominal current: 12 A, Nom. voltage: 320 V, Pitch: 5.08 mm, Number of positions: 23, Connection type: Crimp connection, Color: green |
| 1809718 | MSTBC 2,5/23-STZ-5,08 | Plug component, Nominal current: 12 A, Nom. voltage: 320 V, Pitch: 5.08 mm, Number of positions: 23, Connection type: Crimp connection, Color: green |
| 1809035 | MSTBC 2,5/24-ST-5,08  | Plug component, Nominal current: 12 A, Nom. voltage: 320 V, Pitch: 5.08 mm, Number of positions: 24, Connection type: Crimp connection, Color: green |
| 1809721 | MSTBC 2,5/24-STZ-5,08 | Plug component, Nominal current: 12 A, Nom. voltage: 320 V, Pitch: 5.08 mm, Number of positions: 24, Connection type: Crimp connection, Color: green |
| 1769010 | MSTBP 2,5/ 2-ST-5,08  | Plug component, Nominal current: 12 A, Nom. voltage: 250 V, Pitch: 5.08 mm, Number of positions: 2, Connection type: Screw connection, Color: green  |
| 1769023 | MSTBP 2,5/ 3-ST-5,08  | Plug component, Nominal current: 12 A, Nom. voltage: 250 V, Pitch: 5.08 mm, Number of positions: 3, Connection type: Screw connection, Color: green  |
| 1769036 | MSTBP 2,5/ 4-ST-5,08  | Plug component, Nominal current: 12 A, Nom. voltage: 250 V, Pitch: 5.08 mm, Number of positions: 4, Connection type: Screw connection, Color: green  |
| 1769049 | MSTBP 2,5/ 5-ST-5,08  | Plug component, Nominal current: 12 A, Nom. voltage: 250 V, Pitch: 5.08 mm, Number of positions: 5, Connection type: Screw connection, Color: green  |
| 1769052 | MSTBP 2,5/ 6-ST-5,08  | Plug component, Nominal current: 12 A, Nom. voltage: 250 V, Pitch: 5.08 mm, Number of positions: 6, Connection type: Screw connection, Color: green  |

|         |                      |  |
|---------|----------------------|--|
| 1769065 | MSTBP 2,5/ 7-ST-5,08 | Plug component, Nominal current: 12 A, Nom. voltage: 250 V, Pitch: 5.08 mm, Number of positions: 7, Connection type: Screw connection, Color: green  |
| 1769078 | MSTBP 2,5/ 8-ST-5,08 | Plug component, Nominal current: 12 A, Nom. voltage: 250 V, Pitch: 5.08 mm, Number of positions: 8, Connection type: Screw connection, Color: green  |
| 1769081 | MSTBP 2,5/ 9-ST-5,08 | Plug component, Nominal current: 12 A, Nom. voltage: 250 V, Pitch: 5.08 mm, Number of positions: 9, Connection type: Screw connection, Color: green  |
| 1769094 | MSTBP 2,5/10-ST-5,08 | Plug component, Nominal current: 12 A, Nom. voltage: 250 V, Pitch: 5.08 mm, Number of positions: 10, Connection type: Screw connection, Color: green |
| 1769104 | MSTBP 2,5/11-ST-5,08 | Plug component, Nominal current: 12 A, Nom. voltage: 250 V, Pitch: 5.08 mm, Number of positions: 11, Connection type: Screw connection, Color: green |
| 1769117 | MSTBP 2,5/12-ST-5,08 | Plug component, Nominal current: 12 A, Nom. voltage: 250 V, Pitch: 5.08 mm, Number of positions: 12, Connection type: Screw connection, Color: green |
| 1769120 | MSTBP 2,5/13-ST-5,08 | Plug component, Nominal current: 12 A, Nom. voltage: 250 V, Pitch: 5.08 mm, Number of positions: 13, Connection type: Screw connection, Color: green |
| 1769133 | MSTBP 2,5/14-ST-5,08 | Plug component, Nominal current: 12 A, Nom. voltage: 250 V, Pitch: 5.08 mm, Number of positions: 14, Connection type: Screw connection, Color: green |
| 1769146 | MSTBP 2,5/15-ST-5,08 | Plug component, Nominal current: 12 A, Nom. voltage: 250 V, Pitch: 5.08 mm, Number of positions: 15, Connection type: Screw connection, Color: green |
| 1769159 | MSTBP 2,5/16-ST-5,08 | Plug component, Nominal current: 12 A, Nom. voltage: 250 V, Pitch: 5.08 mm, Number of positions: 16, Connection type: Screw connection, Color: green |
| 1769162 | MSTBP 2,5/17-ST-5,08 | Plug component, Nominal current: 12 A, Nom. voltage: 250 V, Pitch: 5.08 mm, Number of positions: 17, Connection type: Screw connection, Color: green |
| 1769175 | MSTBP 2,5/18-ST-5,08 | Plug component, Nominal current: 12 A, Nom. voltage: 250 V, Pitch: 5.08 mm, Number of positions: 18, Connection type: Screw connection, Color: green |
| 1769188 | MSTBP 2,5/19-ST-5,08 | Plug component, Nominal current: 12 A, Nom. voltage: 250 V, Pitch: 5.08 mm, Number of positions: 19, Connection type: Screw connection, Color: green |
| 1769191 | MSTBP 2,5/20-ST-5,08 | Plug component, Nominal current: 12 A, Nom. voltage: 250 V, Pitch: 5.08 mm, Number of positions: 20, Connection type: Screw connection, Color: green |
| 1769201 | MSTBP 2,5/21-ST-5,08 | Plug component, Nominal current: 12 A, Nom. voltage: 250 V, Pitch: 5.08 mm, Number of positions: 21, Connection type: Screw connection, Color: green |
| 1769214 | MSTBP 2,5/22-ST-5,08 | Plug component, Nominal current: 12 A, Nom. voltage: 250 V, Pitch: 5.08 mm, Number of positions: 22, Connection type: Screw connection, Color: green |

|         |                      |  |
|---------|----------------------|--|
| 1769227 | MSTBP 2,5/23-ST-5,08 | Plug component, Nominal current: 12 A, Nom. voltage: 250 V, Pitch: 5.08 mm, Number of positions: 23, Connection type: Screw connection, Color: green                           |
| 1769696 | MSTBP 2,5/24-ST-5,08 | Plug component, Nominal current: 12 A, Nom. voltage: 250 V, Pitch: 5.08 mm, Number of positions: 24, Connection type: Screw connection, Color: green                           |
| 1883255 | QC 1/ 2-ST-5,08      | Plug component, Nominal current: 10 A, Nom. voltage: 500 V, Pitch: 5.08 mm, Number of positions: 2, Connection type: Insulation displacement connection QUICKON, Color: green  |
| 1883268 | QC 1/ 3-ST-5,08      | Plug component, Nominal current: 10 A, Nom. voltage: 500 V, Pitch: 5.08 mm, Number of positions: 3, Connection type: Insulation displacement connection QUICKON, Color: green  |
| 1883271 | QC 1/ 4-ST-5,08      | Plug component, Nominal current: 10 A, Nom. voltage: 500 V, Pitch: 5.08 mm, Number of positions: 4, Connection type: Insulation displacement connection QUICKON, Color: green  |
| 1883284 | QC 1/ 5-ST-5,08      | Plug component, Nominal current: 10 A, Nom. voltage: 500 V, Pitch: 5.08 mm, Number of positions: 5, Connection type: Insulation displacement connection QUICKON, Color: green  |
| 1883297 | QC 1/ 6-ST-5,08      | Plug component, Nominal current: 10 A, Nom. voltage: 500 V, Pitch: 5.08 mm, Number of positions: 6, Connection type: Insulation displacement connection QUICKON, Color: green  |
| 1883307 | QC 1/ 7-ST-5,08      | Plug component, Nominal current: 10 A, Nom. voltage: 500 V, Pitch: 5.08 mm, Number of positions: 7, Connection type: Insulation displacement connection QUICKON, Color: green  |
| 1883310 | QC 1/ 8-ST-5,08      | Plug component, Nominal current: 10 A, Nom. voltage: 500 V, Pitch: 5.08 mm, Number of positions: 8, Connection type: Insulation displacement connection QUICKON, Color: green  |
| 1883323 | QC 1/ 9-ST-5,08      | Plug component, Nominal current: 10 A, Nom. voltage: 500 V, Pitch: 5.08 mm, Number of positions: 9, Connection type: Insulation displacement connection QUICKON, Color: green  |
| 1883336 | QC 1/10-ST-5,08      | Plug component, Nominal current: 10 A, Nom. voltage: 500 V, Pitch: 5.08 mm, Number of positions: 10, Connection type: Insulation displacement connection QUICKON, Color: green |
| 1883349 | QC 1/11-ST-5,08      | Plug component, Nominal current: 10 A, Nom. voltage: 500 V, Pitch: 5.08 mm, Number of positions: 11, Connection type: Insulation displacement connection QUICKON, Color: green |
| 1883705 | QC 1/12-ST-5,08      | Plug component, Nominal current: 10 A, Nom. voltage: 500 V, Pitch: 5.08 mm, Number of positions: 12, Connection type: Insulation displacement connection QUICKON, Color: green |
| 1883815 | QC 1/13-ST-5,08      | Plug component, Nominal current: 10 A, Nom. voltage: 500 V, Pitch: 5.08 mm, Number of positions: 13, Connection type: Insulation displacement connection QUICKON, Color: green |
| 1883828 | QC 1/14-ST-5,08      | Plug component, Nominal current: 10 A, Nom. voltage: 500 V, Pitch: 5.08 mm, Number of positions: 14, Connection type: Insulation displacement connection QUICKON, Color: green |
| 1883831 | QC 1/15-ST-5,08      | Plug component, Nominal current: 10 A, Nom. voltage: 500 V, Pitch: 5.08 mm, Number of positions: 15, Connection type: Insulation displacement connection QUICKON, Color: green |

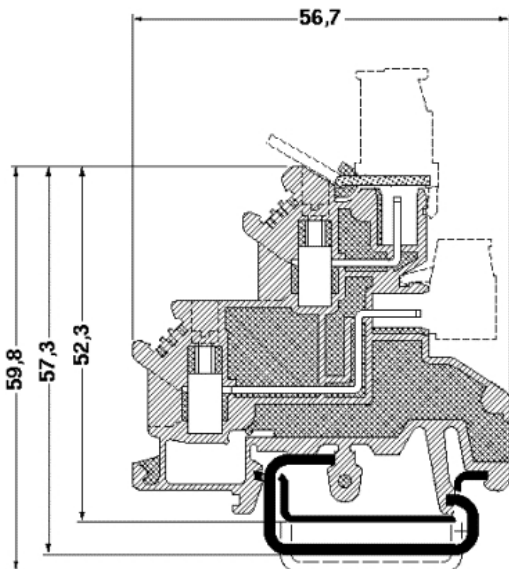
|         |                      |  |
|---------|----------------------|--|
| 1883844 | QC 1/16-ST-5,08      | Plug component, Nominal current: 10 A, Nom. voltage: 500 V, Pitch: 5.08 mm, Number of positions: 16, Connection type: Insulation displacement connection QUICKON, Color: green |
| 1826283 | SMSTB 2,5/ 2-ST-5,08 | Plug component, Nominal current: 12 A, Nom. voltage: 250 V, Pitch: 5.08 mm, Number of positions: 2, Connection type: Screw connection, Color: green                            |
| 1826296 | SMSTB 2,5/ 3-ST-5,08 | Plug component, Nominal current: 12 A, Nom. voltage: 250 V, Pitch: 5.08 mm, Number of positions: 3, Connection type: Screw connection, Color: green                            |
| 1826306 | SMSTB 2,5/ 4-ST-5,08 | Plug component, Nominal current: 12 A, Nom. voltage: 250 V, Pitch: 5.08 mm, Number of positions: 4, Connection type: Screw connection, Color: green                            |
| 1826319 | SMSTB 2,5/ 5-ST-5,08 | Plug component, Nominal current: 12 A, Nom. voltage: 250 V, Pitch: 5.08 mm, Number of positions: 5, Connection type: Screw connection, Color: green                            |
| 1826322 | SMSTB 2,5/ 6-ST-5,08 | Plug component, Nominal current: 12 A, Nom. voltage: 250 V, Pitch: 5.08 mm, Number of positions: 6, Connection type: Screw connection, Color: green                            |
| 1826335 | SMSTB 2,5/ 7-ST-5,08 | Plug component, Nominal current: 12 A, Nom. voltage: 250 V, Pitch: 5.08 mm, Number of positions: 7, Connection type: Screw connection, Color: green                            |
| 1826348 | SMSTB 2,5/ 8-ST-5,08 | Plug component, Nominal current: 12 A, Nom. voltage: 250 V, Pitch: 5.08 mm, Number of positions: 8, Connection type: Screw connection, Color: green                            |
| 1826351 | SMSTB 2,5/ 9-ST-5,08 | Plug component, Nominal current: 12 A, Nom. voltage: 250 V, Pitch: 5.08 mm, Number of positions: 9, Connection type: Screw connection, Color: green                            |
| 1826364 | SMSTB 2,5/10-ST-5,08 | Plug component, Nominal current: 12 A, Nom. voltage: 250 V, Pitch: 5.08 mm, Number of positions: 10, Connection type: Screw connection, Color: green                           |
| 1826377 | SMSTB 2,5/11-ST-5,08 | Plug component, Nominal current: 12 A, Nom. voltage: 250 V, Pitch: 5.08 mm, Number of positions: 11, Connection type: Screw connection, Color: green                           |
| 1826380 | SMSTB 2,5/12-ST-5,08 | Plug component, Nominal current: 12 A, Nom. voltage: 250 V, Pitch: 5.08 mm, Number of positions: 12, Connection type: Screw connection, Color: green                           |
| 1826393 | SMSTB 2,5/13-ST-5,08 | Plug component, Nominal current: 12 A, Nom. voltage: 250 V, Pitch: 5.08 mm, Number of positions: 13, Connection type: Screw connection, Color: green                           |
| 1826403 | SMSTB 2,5/14-ST-5,08 | Plug component, Nominal current: 12 A, Nom. voltage: 250 V, Pitch: 5.08 mm, Number of positions: 14, Connection type: Screw connection, Color: green                           |
| 1826416 | SMSTB 2,5/15-ST-5,08 | Plug component, Nominal current: 12 A, Nom. voltage: 250 V, Pitch: 5.08 mm, Number of positions: 15, Connection type: Screw connection, Color: green                           |
| 1826429 | SMSTB 2,5/16-ST-5,08 | Plug component, Nominal current: 12 A, Nom. voltage: 250 V, Pitch: 5.08 mm, Number of positions: 16, Connection type: Screw connection, Color: green                           |



|         |                      |  |
|---------|----------------------|--|
| 1850563 | SMSTB 2,5/17-ST-5,08 | Plug component, Nominal current: 12 A, Nom. voltage: 250 V, Pitch: 5.08 mm, Number of positions: 17, Connection type: Screw connection, Color: green |
| 1850576 | SMSTB 2,5/18-ST-5,08 | Plug component, Nominal current: 12 A, Nom. voltage: 250 V, Pitch: 5.08 mm, Number of positions: 18, Connection type: Screw connection, Color: green |
| 1850589 | SMSTB 2,5/19-ST-5,08 | Plug component, Nominal current: 12 A, Nom. voltage: 250 V, Pitch: 5.08 mm, Number of positions: 19, Connection type: Screw connection, Color: green |
| 1850592 | SMSTB 2,5/20-ST-5,08 | Plug component, Nominal current: 12 A, Nom. voltage: 250 V, Pitch: 5.08 mm, Number of positions: 20, Connection type: Screw connection, Color: green |
| 1850602 | SMSTB 2,5/21-ST-5,08 | Plug component, Nominal current: 12 A, Nom. voltage: 250 V, Pitch: 5.08 mm, Number of positions: 21, Connection type: Screw connection, Color: green |
| 1850615 | SMSTB 2,5/22-ST-5,08 | Plug component, Nominal current: 12 A, Nom. voltage: 250 V, Pitch: 5.08 mm, Number of positions: 22, Connection type: Screw connection, Color: green |
| 1850628 | SMSTB 2,5/23-ST-5,08 | Plug component, Nominal current: 12 A, Nom. voltage: 250 V, Pitch: 5.08 mm, Number of positions: 23, Connection type: Screw connection, Color: green |
| 1850631 | SMSTB 2,5/24-ST-5,08 | Plug component, Nominal current: 12 A, Nom. voltage: 250 V, Pitch: 5.08 mm, Number of positions: 24, Connection type: Screw connection, Color: green |

**Diagrams/Drawings**

Dimensioned drawing



**Address**

PHOENIX CONTACT Deutschland GmbH  
Flachmarktstr. 8  
32825 Blomberg, Germany  
Phone +49 5235 3 12000  
Fax +49 5235 3 41200  
<http://www.phoenixcontact.de>



© 2010 Phoenix Contact  
Technical modifications reserved;