

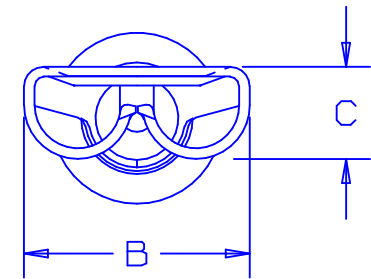
阅读申明

- 1.本站收集的数据手册和产品资料都来自互联网，版权归原作者所有。如读者和版权方有任何异议请及时告之，我们将妥善解决。
- 2.本站提供的中文数据手册是英文数据手册的中文翻译，其目的是协助用户阅读，该译文无法自动跟随原稿更新，同时也可能存在翻译上的不当。建议读者以英文原稿为参考以便获得更精准的信息。
- 3.本站提供的产品资料，来自厂商的技术支持或者使用者的心得体会等，其内容可能存在描述上的差异，建议读者做出适当判断。
- 4.如需与我们联系，请发邮件到marketing@iczoom.com，主题请标有“数据手册”字样。

Read Statement

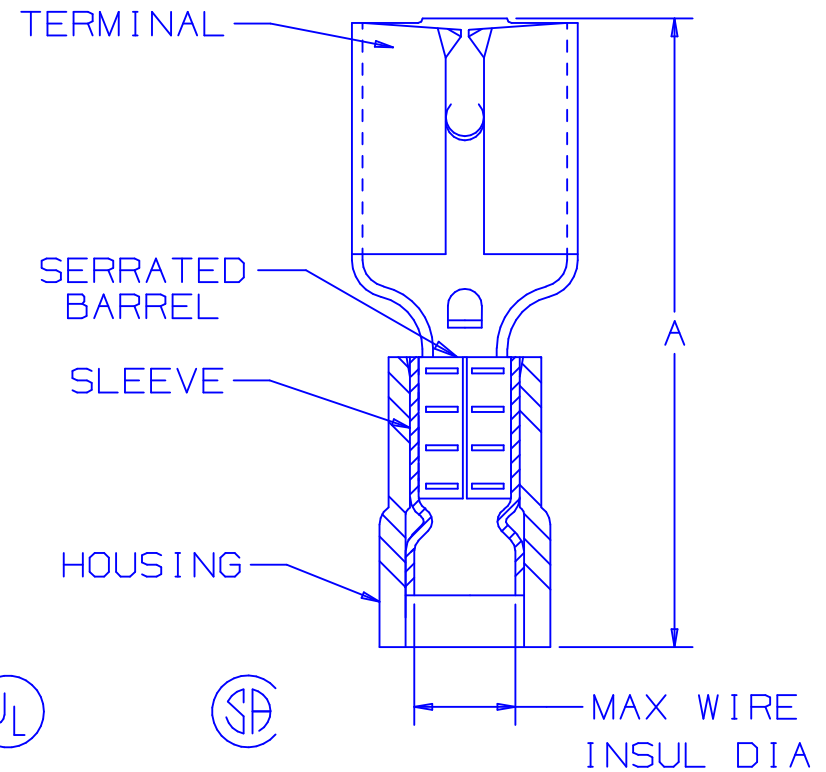
1. The datasheets and other product information on the site are all from network reference or other public materials, and the copyright belongs to the original author and original published source. If readers and copyright owners have any objections, please contact us and we will deal with it in a timely manner.
2. The Chinese datasheets provided on the website is a Chinese translation of the English datasheets. Its purpose is for reader's learning exchange only and do not involve commercial purposes. The translation cannot be automatically updated with the original manuscript, and there may also be improper translations. Readers are advised to use the English manuscript as a reference for more accurate information.
3. All product information provided on the website refer to solutions from manufacturers' technical support or users the contents may have differences in description, and readers are advised to take the original article as the standard.
4. If you have any questions, please contact us at marketing@iczoom.com and mark the subject with "Datasheets" .

PART NUMBER		TAB SIZE	WIRE RANGE AWG (mm ²)	HOUSING COLOR	MAX INSUL DIA	DIMENSIONS in		
PREFIX	PKG					A $\pm .03$ (0.8)	B $\pm .01$ (0.3)	C $\pm .01$ (0.3)
DNF18-188	-C -M	.187 x .020 (4.8 x 0.5)	22-18 (.5-1.0)	RED	.137 (3.48)	.76 (19.3)	.23 (5.8)	.10 (2.5)
DNF14-188	-C -M	.187 x .020 (4.8 x 0.5)	16-14 (1.5-2.5)	BLUE	.162 (4.11)	.76 (19.3)	.23 (5.8)	.10 (2.5)



NOTES:

- UL LISTED AND CSA CERTIFIED FOR:
 - A. 300V. MAX. VOLTAGE RATING
 - B. STRANDED COPPER WIRE ONLY
 - C. 194° F (90° C) MAX. TEMP. RATING
- PACKAGE QTY: STD. PKG. -C= 100
BULK PKG. -M= 1000
- MATERIAL:
 - A. STAMPING: .016 (0.4) THK BRASS, TIN PLATED
 - B. SLEEVE: BRASS, TIN PLATED
 - C. HOUSING: NYLON
- WIRE STRIP LENGTH $9/32 \begin{matrix} +1/32 \\ -0 \end{matrix}$ ($7.1 \begin{matrix} +0.8 \\ -0 \end{matrix}$)
- INITIAL INSERTION FORCE - 12 LB. (53 N) MAX
INITIAL WITHDRAWAL FORCE - 12 LB. (53 N) MAX
6 LB. (27 N) MIN
- INSTALLATION TOOLS:
 - A. UL LISTED AND CSA CERTIFIED: CT-500
 - B. PANDUIT APPROVED: CT-100, CT-160, CT-260, CT-400, CT-460 * (*FOR DNF14-188 ONLY) CT-1551, CT-1550
- DIMENSIONS IN BRACKETS ARE IN MILLIMETERS OR mm²



LISTED
20H3
E78522



CERTIFIED
LR31212

A41313_09

09	1/02	SAC		REMOVED SLOTS & WIRE RANGE FOR DNF18-188 WAS (.38-1.0)			
08	1/01	RM	SKB	FILESPEC WAS N41313AA_PCD_07	08925	JAC	CCH
07	3/99	JKD		ADDED CT-1551 & CT-1550 TOOLS	07632		
06	7/95	MC	RLS	UPDATED NOTES AND DIMENSIONS	03433	KS	TJP

PANDUIT

CORP

TINLEY PARK, ILLINOIS

NYLON INSULATED FEMALE DISCONNECT,
FUNNELED WIRE ENTRY (.188 SERIES)

REV	DATE	BY	CHK	DESCRIPTION	ECN #	CUST	PM	DRAWN BY	CHK'D	SCALE	DRAWING NO.
								DAW		NONE	A41313