

阅读申明

- 1.本站收集的数据手册和产品资料都来自互联网，版权归原作者所有。如读者和版权方有任何异议请及时告之，我们将妥善解决。
- 2.本站提供的中文数据手册是英文数据手册的中文翻译，其目的是协助用户阅读，该译文无法自动跟随原稿更新，同时也可能存在翻译上的不当。建议读者以英文原稿为参考以便获得更精准的信息。
- 3.本站提供的产品资料，来自厂商的技术支持或者使用者的心得体会等，其内容可能存在描述上的差异，建议读者做出适当判断。
- 4.如需与我们联系，请发邮件到marketing@iczoom.com，主题请标有“数据手册”字样。

Read Statement

1. The datasheets and other product information on the site are all from network reference or other public materials, and the copyright belongs to the original author and original published source. If readers and copyright owners have any objections, please contact us and we will deal with it in a timely manner.
2. The Chinese datasheets provided on the website is a Chinese translation of the English datasheets. Its purpose is for reader's learning exchange only and do not involve commercial purposes. The translation cannot be automatically updated with the original manuscript, and there may also be improper translations. Readers are advised to use the English manuscript as a reference for more accurate information.
3. All product information provided on the website refer to solutions from manufacturers' technical support or users the contents may have differences in description, and readers are advised to take the original article as the standard.
4. If you have any questions, please contact us at marketing@iczoom.com and mark the subject with "Datasheets" .

Specification

| | |
|--------------|----------------------|
| Drawing No. | K1101-13754-432 1/11 |
| Issued Date. | Jan.24,2014 |

TO: Digi-Key

Note: In case of specification change, KYOCERA Part Number also will be changed.

| | |
|-------------------------------|---|
| Product Name | Quartz Crystal |
| Product Model | CX3225GB |
| Frequency | Refer to K1101-13754-432 3/11 Nominal Frequency |
| Customer Part Number | - |
| Customer Specification Number | - |
| KYOCERA Part Number | Refer to K1101-13754-432 3/11 KYOCERA Part Number |
| Remarks | RoHS Compliant, MSL 1 |

Customer Acceptance

| | | |
|------------------|------------------|--|
| Accept Signature | Approved Date | |
| | Department | |
| | Person in charge | |
| | | |

Seller

KYOCERA Corporation

6 Takeda Tobadono-cho, Fushimi-ku, Kyoto

612-8501 Japan

TEL. No. 075-604-3500

FAX. No. 075-604-3501

Manufacturer

KYOCERA Crystal Device Corporation

5850, Higashine-Koh, Higashine-Shi, Yamagata

999-3701 Japan

TEL. No. 0237-43-5611

FAX. No. 0237-43-5615

| Design Department | Quality Assurance | Approved by | Checked by | Issued by |
|--|-------------------|-------------|------------|-------------|
| KYOCERA Crystal Device Corporation Crystal Design Section Crystal Units Division | A.Kikuchi | Y.Takahashi | T.Nitoube | M.Hashimoto |

Revision History

| Rev.No. | Description of revise | Date | Approved by | Checked by | Issued by |
|---------|----------------------------------|-------------|-------------|------------|-------------|
| 1 | First Edition | Jul.29,2013 | Y.Takahashi | T.Nitoube | M.Konno |
| 2 | •Frequency Addition. 49152kHz | Jan,24,2014 | Y.Takahashi | T. Nitoube | M.Hashimoto |

[PART NUMBER LIST]

| Nominal Frequency (MHz) | KYOCERA Part Number | ESR (Ω) | Nominal Frequency Code |
|-------------------------|----------------------|------------------|------------------------|
| 10 | CX3225GB10000P0HPQCC | 300 | 10000 |
| 12 | CX3225GB12000P0HPQCC | 250 | 12000 |
| 12.288 | CX3225GB12288P0HPQCC | 250 | 12288 |
| 13 | CX3225GB13000P0HPQCC | 250 | 13000 |
| 13.56 | CX3225GB13560P0HPQCC | 250 | 13560 |
| 14.31818 | CX3225GB14318P0HPQCC | 100 | 14318 |
| 14.7456 | CX3225GB14745P0HPQCC | 100 | 14745 |
| 16 | CX3225GB16000P0HPQCC | 80 | 16000 |
| 16.384 | CX3225GB16384P0HPQCC | 80 | 16384 |
| 18.432 | CX3225GB18432P0HPQCC | 80 | 18432 |
| 19.2 | CX3225GB19200P0HPQCC | 80 | 19200 |
| 20 | CX3225GB20000P0HPQCC | 60 | 20000 |
| 22.5792 | CX3225GB22579P0HPQCC | 60 | 22579 |
| 24 | CX3225GB24000P0HPQCC | 60 | 24000 |
| 24.576 | CX3225GB24576P0HPQCC | 60 | 24576 |
| 25 | CX3225GB25000P0HPQCC | 60 | 25000 |
| 27 | CX3225GB27000P0HPQCC | 50 | 27000 |
| 27.12 | CX3225GB27120P0HPQCC | 50 | 27120 |
| 30 | CX3225GB30000P0HPQCC | 50 | 30000 |
| 32 | CX3225GB32000P0HPQCC | 50 | 32000 |
| 33.333 | CX3225GB33333P0HPQCC | 50 | 33333 |
| 36 | CX3225GB36000P0HPQCC | 50 | 36000 |
| 38.4 | CX3225GB38400P0HPQCC | 50 | 38400 |
| 40 | CX3225GB40000P0HPQCC | 50 | 40000 |
| 48 | CX3225GB48000P0HPQCC | 50 | 48000 |
| 49.152 | CX3225GB49152P0HPQCC | 50 | 49152 |
| 50 | CX3225GB50000P0HPQCC | 50 | 50000 |
| 54 | CX3225GB54000P0HPQCC | 50 | 54000 |



1. APPLICATION

This specification sheet is applied to quartz crystal “CX3225GB”

2. KYOCERA PART NUMBER

Refer to K1101-13754-432 3/11 KYOCERA Part Number

3. RATINGS

| Items | SYMB. | Rating | Unit | Remarks |
|---------------------------|-------|---------|------|---------|
| Operating Temperature | Topr | -40~+85 | °C | |
| Storage Temperature Range | Tstg | -40~+85 | °C | |

4. CHARACTERISTICS

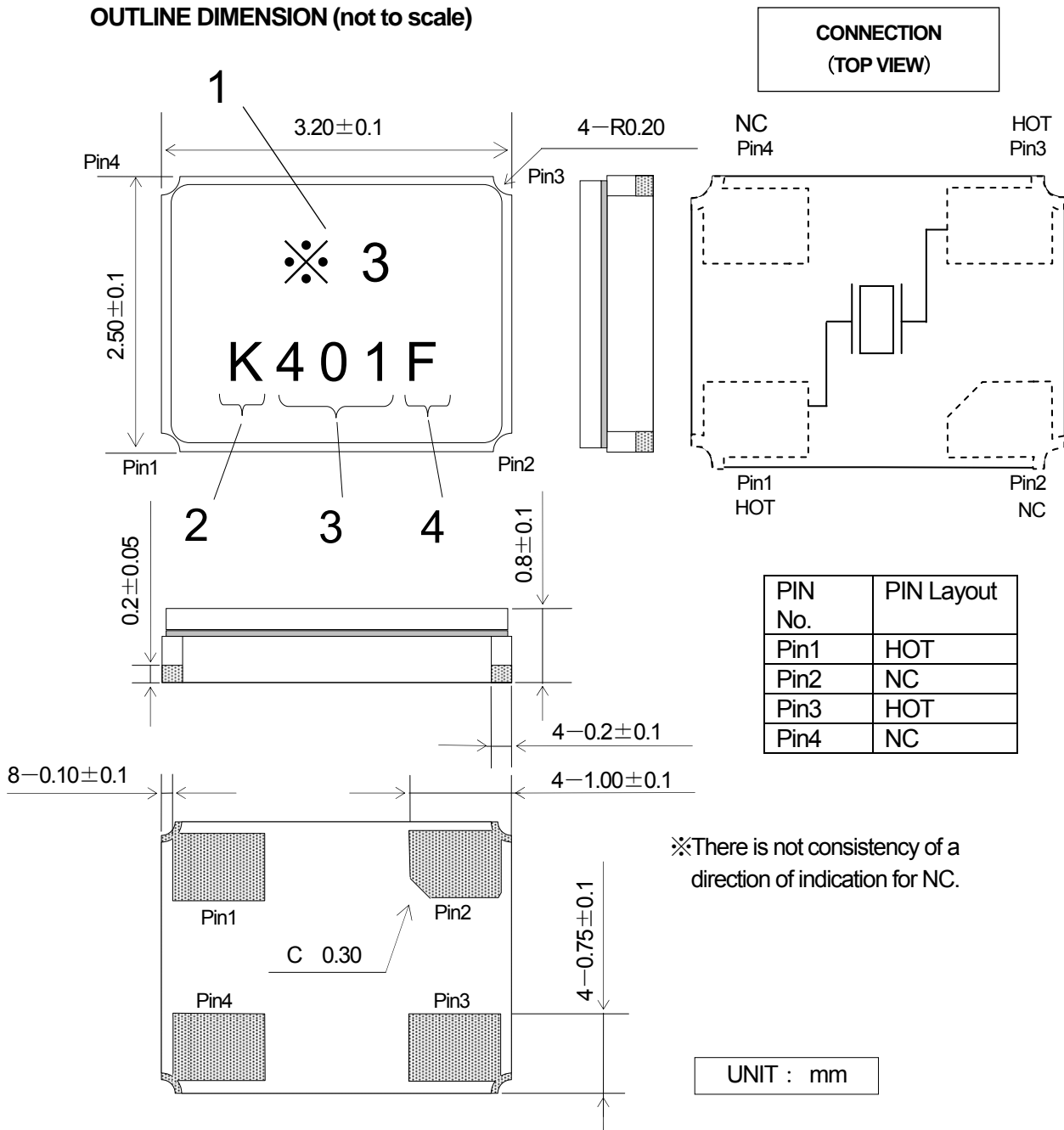
4-1 ELECTRICAL CHARACTERISTICS

| Items | Electrical Specification | | | | | Test Condition | Remarks |
|---------------------------------------|--------------------------|-------------|------|-------|------|----------------|---------|
| | SYMB. | Min. | Typ. | Max. | Unit | | |
| Mode of Vibration | | Fundamental | | | | | |
| Nominal Frequency | F0 | | ※1 | | MHz | | |
| Nominal Temperature | T _{NOM} | | +25 | | °C | | |
| Load Capacitance | CL | | 18.0 | | pF | | |
| Frequency Tolerance | df/F | -20.0 | | +20.0 | PPM | +25±3°C | |
| Frequency Temperature Characteristics | df/F | -30.0 | | +30.0 | | -40~+85°C | |
| Frequency Aging Rate | | -5.0 | | +5.0 | | 1 year | +25±3°C |
| Equivalent Series Resistance | ESR | | | ※2 | Ω | | |
| Drive Level | Pd | 0.01 | | 100 | μW | | |
| Insulation Resistance | IR | 500 | | | MΩ | 100V(DC) | |

※1 Refer to K1101-13754-432 3/11 Nominal Frequency

※2 Refer to K1101-13754-432 3/11 ESR

5. APPEARANCES, PHYSICAL DIMENSION
OUTLINE DIMENSION (not to scale)

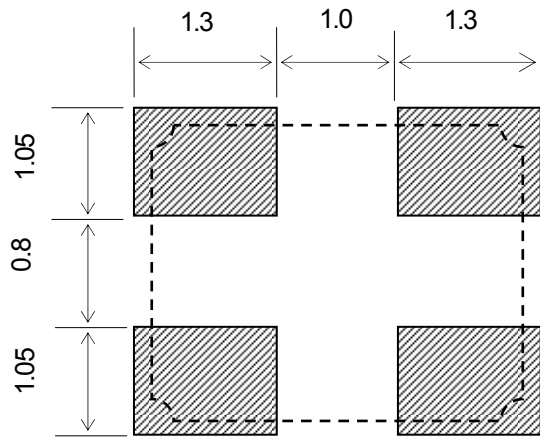


MARKING

- 1 Nominal Frequency Move the number of maximum indication beams of the frequency to five digits, and omit less than kHz.
- 2 Identification
- 3 Date Code Year···LAST 1 DIGIT of YEAR AND WEEK
(Ex) Jan. 1, 2014 → 401
- 4 Manufacturing Location F···KYOCERA Crystal Device Philippines, Inc

※3 Refer to K1101-13754-432 3/11 Nominal Frequency Code.
 The font of marking is reference.

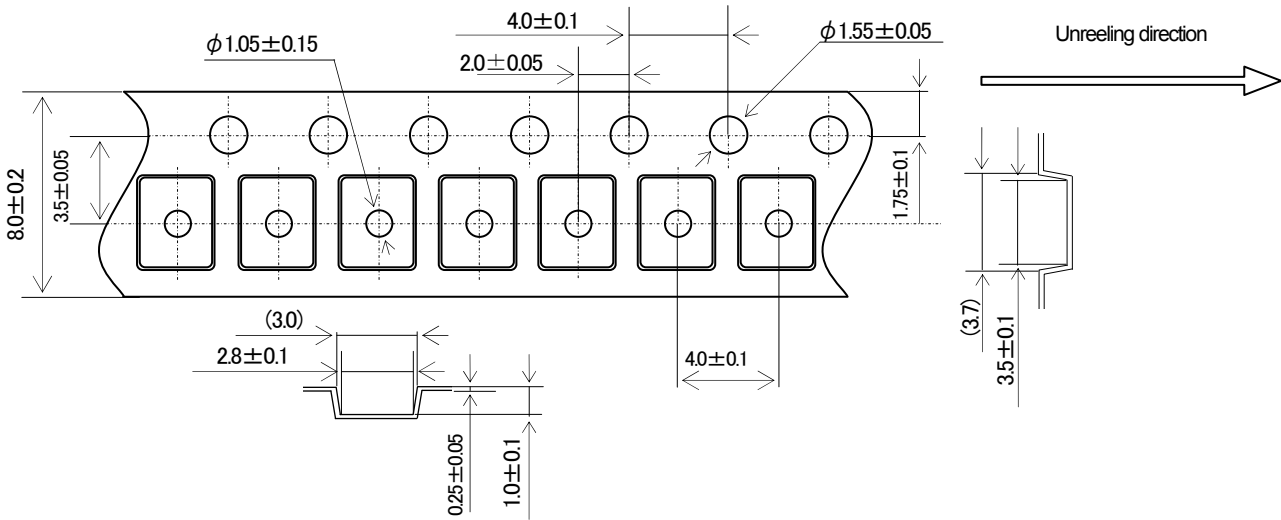
6. RECOMMENDED LAND PATTERN (not to scale)



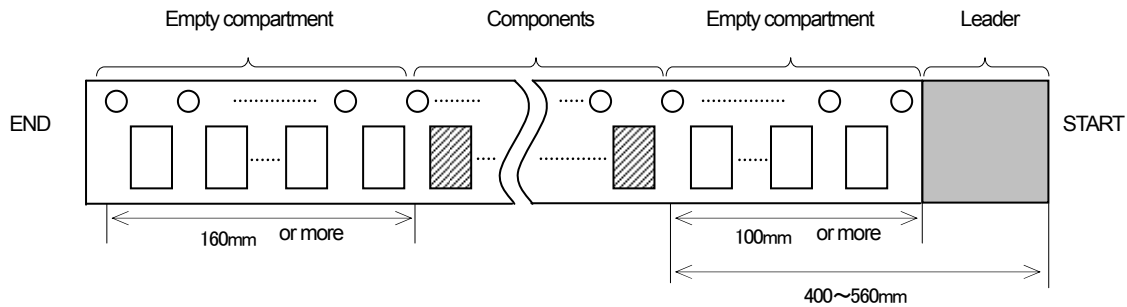
UNIT : mm

7.TAPING & REEL 梱包補助材

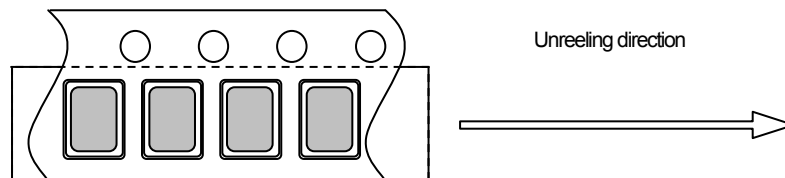
7-1.Dimensions



7-2.Leader and trailer tape

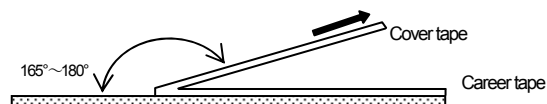


7-3.Direction (The direction shall be seen from the top cover tape side)

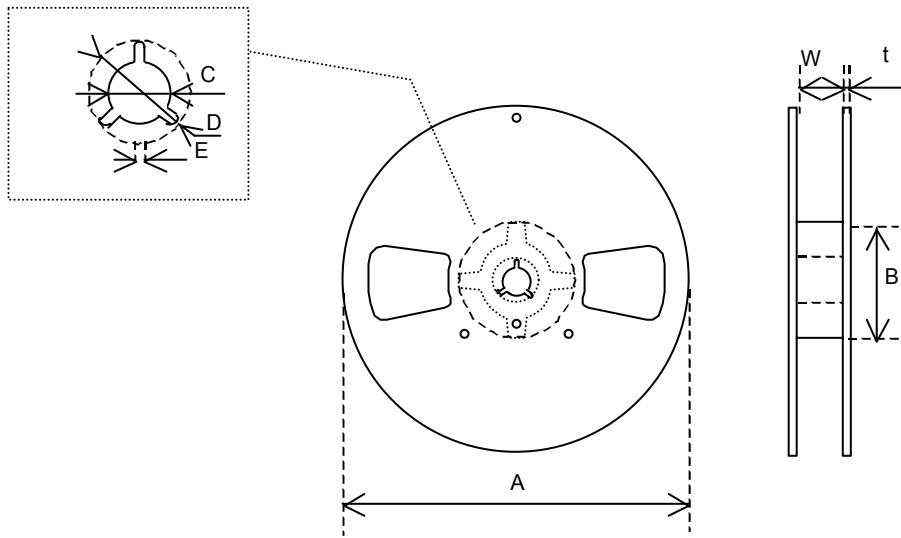


7-4.Specification

1. Material of the carrier tape shall be PS (ESD).
2. Material of the seal tape shall be polyester(ESD).
3. The seal tape shall not cover the sprocket holes. And not protrude from the carrier tape.
4. Tensile strength of the tape : 10N or more.
5. The R of the corner without designation is $0.2R_{MAX}$.
6. Disalignment between centers of the cavity and sprocket hole shall be 0.05 mm or less.
7. Cumulative pitch tolerance of "P₀" shall be ± 0.2 mm at 10 pitches.
8. The number of lack is 0.1% of 1 reel total part number (the number of the table letters) or the part following whose 1 either is big. (But, the thing which lack of the continuance is not in.)
9. The marking on parts is not fixed its direction, its electrical characteristic is equal.
10. Peeling force of the seal tape: 0.1 to 1.0N.



7-5.Reel specifications



(Nonconductor type Reel)

In the case of $\Phi 180$ Reel (3000 pcs max, every 1000 pcs)

| | A | B | C | D |
|-----------|--------------------|-----------------|-------------------|-------------------|
| Dimension | $\phi 180 +0/-1.5$ | $\phi 60 +1/-0$ | $\phi 13 \pm 0.2$ | $\phi 21 \pm 0.8$ |
| Symbol | E | W | t | |
| Dimension | 2.0 ± 0.5 | 9 ± 1 | 2.0 ± 0.5 | |

(Unit : mm)

8. Environmental requirements

After following test, frequency shall not change more than $\pm 20 \times 10^{-6}$
And CI, $\pm 20\%$ or 5Ω of large value.

- 8.1 Resistance to Shock Test condition
Natural dropped from height 100cm onto hard wood board in 3 times
- 8.2 Resistance to Vibration Test condition
frequency : 10—55 —10 Hz
Amplitude : 1.5mm
Cycle time : 15 minutes
Direction : X,Y,Z (3direction),2 h each.
- 8.3 Resistance to Heat Test condition
The quartz crystal unit shall be stored at a temperature of $+85 \pm 2^\circ\text{C}$ for 500 h.
Then it shall be subjected to standard atmospheric conditions for 1 h ,after which measurement shall be made.
- 8.4 Resistance to Cold Test condition
The quartz crystal unit shall be stored at a temperature of $-40 \pm 2^\circ\text{C}$ for 500 h.
Then it shall be subjected to standard atmospheric conditions for 1 h ,after which measurement shall be made.
- 8.5 Thermal Shock Test condition
The quartz crystal unit shall be subjected to 500 successive change of temperature cycles , each as shown in table below, Then it shall be subjected to standard atmospheric conditions for 1h, after which measurements shall be made.
Cycle : $-40 \pm 2^\circ\text{C}$ (30min.) to $25 \pm 2^\circ\text{C}$ (5min.)
 to $+85 \pm 2^\circ\text{C}$ (30min.) to $25 \pm 2^\circ\text{C}$ (5min.)

8.6 Resistance to Moisture

Test condition

The quartz crystal unit shall be stored at a temperature of $60 \pm 2^\circ\text{C}$ with relative humidity of 90% to 95% for 240 h. Then it shall be subjected to standard atmospheric conditions for 1h, after which measurements shall be made

8.7 Soldering condition

- 1.) Material of solder
 - Kind ... lead free solder paste
 - Melting point ... $+220 \pm 5^\circ\text{C}$

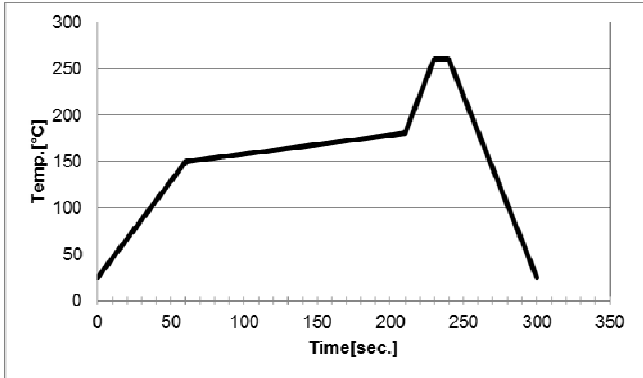
2.) Reflow temp.profile

| | Temp [$^\circ\text{C}$] | Time[sec] |
|------------|---------------------------|------------|
| Preheating | +150 to +180 | 150 (typ.) |
| Peak | $+260 \pm 5$ | 10 (max.) |
| Total | — | 300 (max.) |

Frequency shift : $\pm 2\text{ppm}$

- 3.) Hand Soldering + 350°C 3 sec MAX
- 4.) Reflow Times 2 times

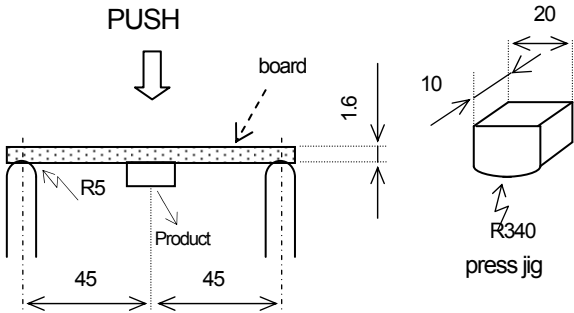
Reflow temp.profile



8.8 Intensity for bending in circuit board

Solder this product in center of the circuit board of $40\text{mm} \times 100\text{mm}$, and add the deflection of 3mm as the bottom figure.

Test board : $t=1.6\text{mm}$



UNIT : mm

9. Cautions for use

(1) Automatic mounting machine use

Please use after affirmation that select the mounting machine model with a shock small if possible in the case of use of an automatic mounting machine, and it does not have breakage. There is a risk of a quartz crystal unit breakage occurring and not functioning normally by too much shock etc..

(2) Conformity of a circuit

In case of use of an oscillation circuit, please insert in a quartz crystal unit in series resistance 5 time as many as the standard value of equivalent in-series resistance, and confirm oscillating. Please remove resistance which inserted after the notes above-mentioned examination in the quartz crystal unit in series, and use it.

(3) After making the Quartz Crystal mount on a printed circuit board ,if it is required to divide the printed circuit board into another one, use it with attentive confirmation so that a warp caused by this dividing might not affect any damage. When designing a printed circuit board as well as handling the mounting As much as possible. The quartz crystal shall be passed through the reflow furnace. Then it shall be subjected to standard atmospheric conditions, after which cleaning shall be made.

10. Storage conditions

Storage at prolonged high temperature or low temperature and the storage by high humidity cause degradation of frequency accuracy, and degradation of soldering nature. Storage is performed at the temperature of 18-30 degrees C, and the humidity of 20-70 Percent in the state of packing, and a term is 6 months.

11. Manufacturing location

KYOCERA Crystal Device Philippines, Inc.

12. Quality Assurance

Kyocera Crystal Device Quality Assurance Division

13. Quality guarantee

When the failure by the responsibility of our company occurs clearly after delivery within 1 year, a substitute article etc. is appropriated gratuitously and this is guaranteed. However, when passing 1 year after delivery, there is a case where I am allowed to consider as onerous repair after both consultation.

14. Others

When any questions and opinions are in the written matter of these delivery specifications, I will ask connection of you from the our company issue day within 45 days. In a connection no case, a written matter is consented to it and employed within a term.