

阅读申明

- 1.本站收集的数据手册和产品资料都来自互联网，版权归原作者所有。如读者和版权方有任何异议请及时告之，我们将妥善解决。
- 2.本站提供的中文数据手册是英文数据手册的中文翻译，其目的是协助用户阅读，该译文无法自动跟随原稿更新，同时也可能存在翻译上的不当。建议读者以英文原稿为参考以便获得更精准的信息。
- 3.本站提供的产品资料，来自厂商的技术支持或者使用者的心得体会等，其内容可能存在描述上的差异，建议读者做出适当判断。
- 4.如需与我们联系，请发邮件到marketing@iczoom.com，主题请标有“数据手册”字样。

Read Statement

1. The datasheets and other product information on the site are all from network reference or other public materials, and the copyright belongs to the original author and original published source. If readers and copyright owners have any objections, please contact us and we will deal with it in a timely manner.
2. The Chinese datasheets provided on the website is a Chinese translation of the English datasheets. Its purpose is for reader's learning exchange only and do not involve commercial purposes. The translation cannot be automatically updated with the original manuscript, and there may also be improper translations. Readers are advised to use the English manuscript as a reference for more accurate information.
3. All product information provided on the website refer to solutions from manufacturers' technical support or users the contents may have differences in description, and readers are advised to take the original article as the standard.
4. If you have any questions, please contact us at marketing@iczoom.com and mark the subject with "Datasheets" .

Clock Oscillators (SMD)



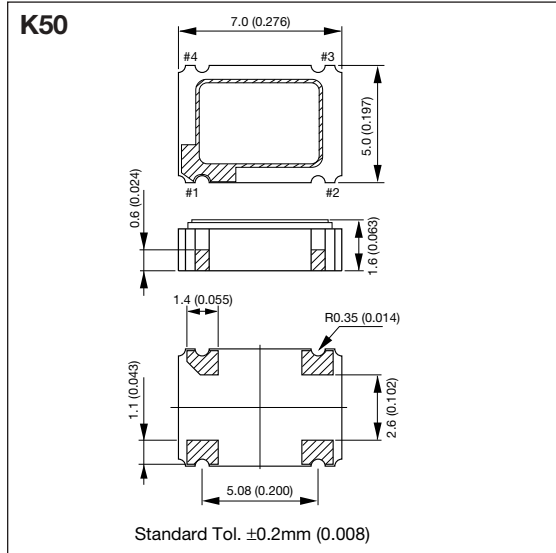
K50-HC Series (5.0V)

K50 SERIES



DIMENSIONS

millimeters (inches)



FEATURES

- High reliable SMD ceramic package
- Frequency range = 8MHz to 68MHz
- Frequency tolerance = $\pm 100\text{ppm}$, $\pm 50\text{ppm}$
- Tristate output inhibit

APPLICATIONS

- Routers
- Switches
- Servers

HOW TO ORDER

K50 - HC 1 C S E 40.0000M R

Series

Tolerance
1 = $\pm 100\text{ppm}$
0 = $\pm 50\text{ppm}$

Packaging

R = Tape and reel,
1,000 pcs/reel

Frequency (MHz)

8.0000	27.0000	49.1520
14.31818	29.4989	50.0000
16.0000	30.0000	60.0000
20.0000	32.0000	64.0000
24.0000	33.8688	66.6667
24.5760	40.0000	—
25.0000	48.0000	—

Tristate Output

E = with function (STD)

Duty Ratio

S = 45% to 55% (STD)

Output

C = CMOS/Compatibility

PIN CONNECTION

Pin #	Function
1	CONTROL
2	CASE GND
3	OUTPUT
4	+V _{CC}

ENABLE/DISABLE

Pin #1	Pin #3
"H" or Open	Oscillation
"L"	High Impedance

SPECIFICATIONS

Items	Code	Rating	Unit	Remarks
Output Frequency	F _{OUT}	8 to 68	MHz	—
Frequency Tolerance	$\Delta F/F$	± 100 , ± 50	ppm	Over all conditions
Aging	$\Delta F/F$	± 5	ppm/y	@ 25°C
Operating Temperature	T _{OPR}	-10 to 70	°C	—
Storage Temperature	T _{STR}	-55 to 125	°C	—
Supply Voltage	V _{CC}	5 \pm 0.5	V	—
Supply Current	I _{CC}	50 max.	mA	Loaded @ 68MHz
Disable Current	I _{DE}	30 max.	mA	—
Duty Ratio	SYM	45 to 55	%	0.5V _{CC} DC Level
Output 0 Level	V _{OL}	0.1 V _{CC} max.	V	I _{OL} = 16mA
Output 1 Level	V _{OH}	0.9 V _{CC} min.	V	I _{OH} = -16mA
Rise/Fall Time	T _R , T _F	10 max.	nsec	0.1V _{CC} -0.9V _{CC}
Load Capacitance	C _L	50 max.	pF	F>50MHz C _L =15pF (max.)
Enable/Disable Time	—	100 max.	nsec	—
Input Voltage Low	V _{IL}	0.8 max.	V	—
Input Voltage High	V _{IH}	2.2 min.	V	—
Start-up Time	ST	10 max.	mS	Minimum Operating Voltage to be 0sec

*Please contact us for inquiries about Extend Operating Temperature Range (-40 to +85°C), available frequencies, other condition.

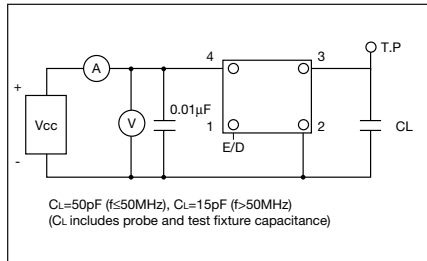
Clock Oscillators



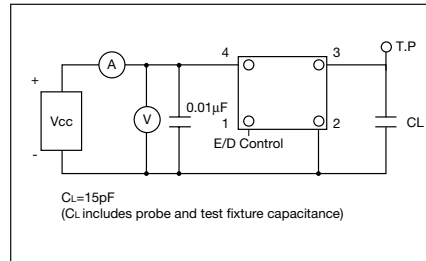
K30/K50 Series

Kyocera has a wide range of clock oscillators with frequency and package size to match the various customer requirements.

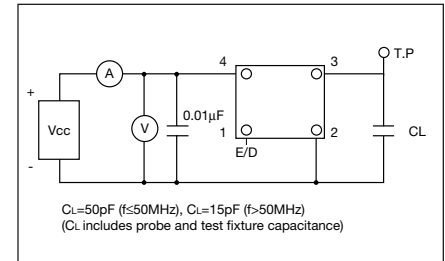
K50/K30 HC SERIES TEST CIRCUIT



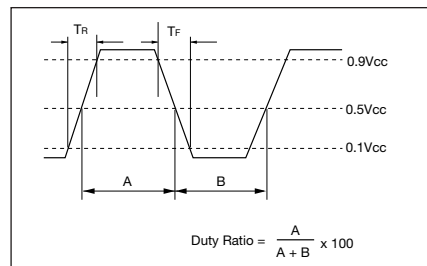
K50/K30 3C SERIES TEST CIRCUIT



K50H 3C SERIES TEST CIRCUIT



OUTPUT WAVE FORM FOR ALL SERIES



SPECIFICATIONS

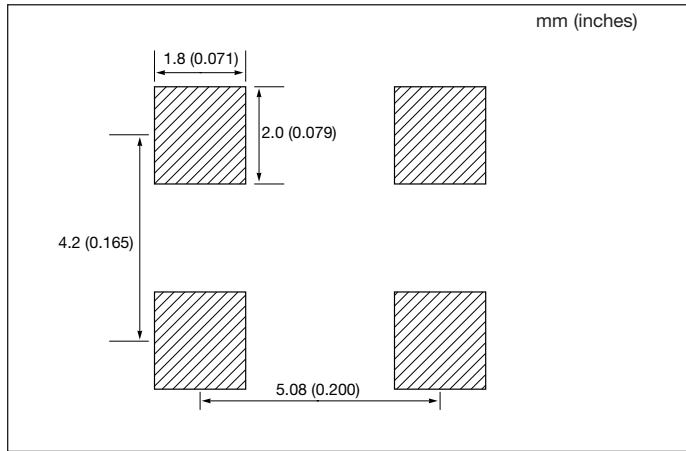
Type	Frequency Range (MHz)	Load	Drive Level	Duty Ratio	Features
K50-HC	8 to 68	$C_L=50\text{pF}$ (max.) ($f \leq 50\text{MHz}$)	CMOS $V_{OH}=0.9V_{CC}$ $V_{OL}=0.1V_{CC}$	45/55% (0.5Vcc)	<ol style="list-style-type: none"> 1. IR Reflowable 2. Mini-SMD 3. Tristate Output, Enable/Disable Function $F > 50\text{MHz}$ $C_L=15\text{pF}$
K50-3C	8 to 80	$C_L=15\text{pF}$ (max.)	CMOS $V_{OH}=0.9V_{CC}$ $V_{OL}=0.1V_{CC}$	40/60% (0.5Vcc)	<ol style="list-style-type: none"> 1. 3.3V Available 2. IR Reflowable 3. Mini-SMD 4. Tristate Output, Enable/Disable Function
K50H-3C	50 to 160	$C_L=15\text{pF}$ (max.)	CMOS $V_{OH}=0.9V_{CC}$ $V_{OL}=0.1V_{CC}$	45/55% (0.5Vcc)	<ol style="list-style-type: none"> 1. 3.3V Available 2. IR Reflowable 3. Mini-SMD 4. Tristate Output, Enable/Disable Function
K30-HC	8 to 50	$C_L=50\text{pF}$ (max.) ($f \leq 50\text{MHz}$)	CMOS $V_{OH}=0.9V_{CC}$ $V_{OL}=0.1V_{CC}$	45/55% (0.5Vcc)	<ol style="list-style-type: none"> 1. IR Reflowable 2. Mini-SMD 3. Tristate Output, Enable/Disable Function
K30-3C	8 to 67	$C_L=15\text{pF}$ (max.)	CMOS $V_{OH}=0.9V_{CC}$ $V_{OL}=0.1V_{CC}$	40/60% (0.5Vcc)	<ol style="list-style-type: none"> 1. 3.3V Available 2. IR Reflowable 3. Mini-SMD 4. Tristate Output, Enable/Disable Function

Clock Oscillators (SMD)

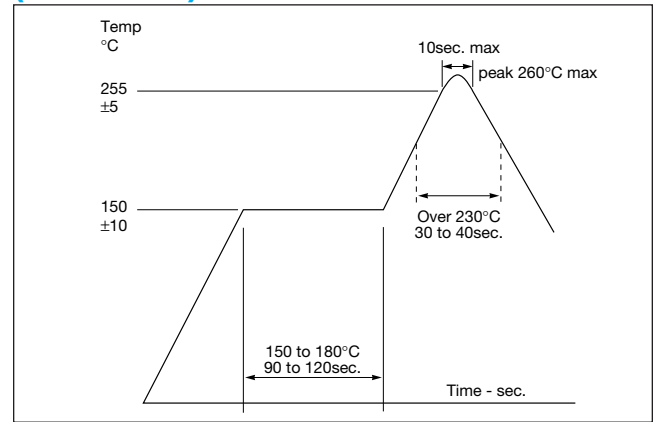


K50/K50H Series

RECOMMENDED LAND PATTERN

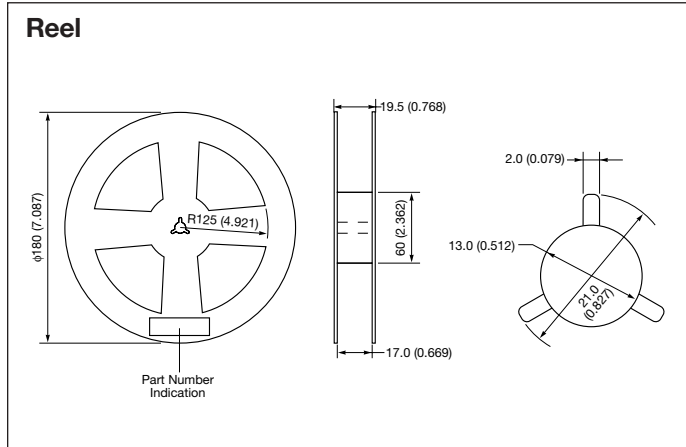


RECOMMENDED REFLOW PROFILE (Lead Free)

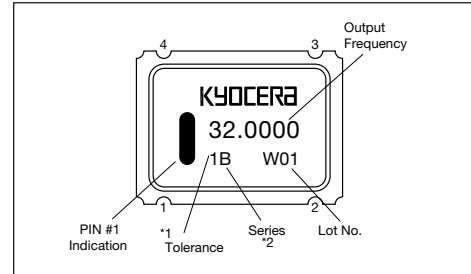


PACKAGING

millimeters (inches)

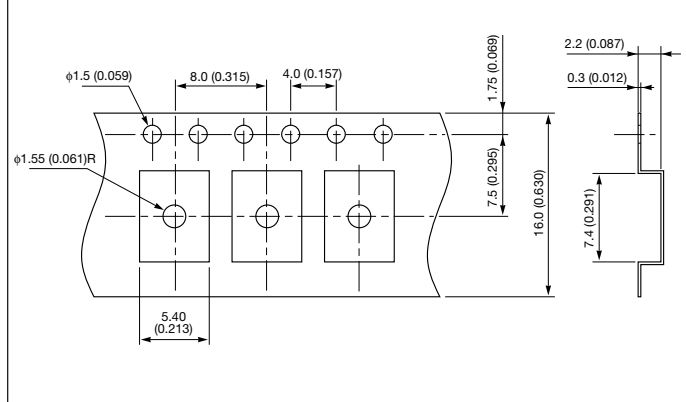


MARKING SPECIFICATIONS



- *1 1 = ± 100 ppm
0 = ± 50 ppm
S = ± 30 ppm
U = ± 25 ppm
- *2 B = K50-HC
L = K50-3C-E
M = K50-3C-SE
D = K50-CL
H = K50H-3C-SE

Carrier Tape



PACKAGING

1,000pcs/Reel