

阅读申明

- 1.本站收集的数据手册和产品资料都来自互联网，版权归原作者所有。如读者和版权方有任何异议请及时告之，我们将妥善解决。
- 2.本站提供的中文数据手册是英文数据手册的中文翻译，其目的是协助用户阅读，该译文无法自动跟随原稿更新，同时也可能存在翻译上的不当。建议读者以英文原稿为参考以便获得更精准的信息。
- 3.本站提供的产品资料，来自厂商的技术支持或者使用者的心得体会等，其内容可能存在描述上的差异，建议读者做出适当判断。
- 4.如需与我们联系，请发邮件到marketing@iczoom.com，主题请标有“数据手册”字样。

Read Statement

1. The datasheets and other product information on the site are all from network reference or other public materials, and the copyright belongs to the original author and original published source. If readers and copyright owners have any objections, please contact us and we will deal with it in a timely manner.
2. The Chinese datasheets provided on the website is a Chinese translation of the English datasheets. Its purpose is for reader's learning exchange only and do not involve commercial purposes. The translation cannot be automatically updated with the original manuscript, and there may also be improper translations. Readers are advised to use the English manuscript as a reference for more accurate information.
3. All product information provided on the website refer to solutions from manufacturers' technical support or users the contents may have differences in description, and readers are advised to take the original article as the standard.
4. If you have any questions, please contact us at marketing@iczoom.com and mark the subject with "Datasheets" .

International IOR Rectifier

6CWQ04FN

SCHOTTKY RECTIFIER

7 Amp

$$I_{F(AV)} = 7\text{Amp}$$

$$V_R = 40\text{V}$$

Major Ratings and Characteristics

| Characteristics | Values | Units |
|--|------------|------------------|
| $I_{F(AV)}$ Rectangular waveform | 7 | A |
| V_{RRM} | 40 | V |
| I_{FSM} @ tp = 5 μ s sine | 500 | A |
| V_F @ 3 Apk, $T_J = 125^\circ\text{C}$ (per leg) | 0.49 | V |
| T_J range | -40 to 150 | $^\circ\text{C}$ |

Description/ Features

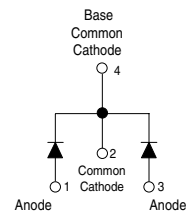
The 6CWQ04FN surface mount, center tap, Schottky rectifier series has been designed for applications requiring low forward drop and small foot prints on PC board. Typical applications are in disk drives, switching power supplies, converters, free-wheeling diodes, battery charging, and reverse battery protection.

- Popular D-PAK outline
- Center tap configuration
- Small foot print, surface mountable
- Low forward voltage drop
- High frequency operation
- Guard ring for enhanced ruggedness and long term reliability

Case Styles



D-PAK (TO-252AA)



Voltage Ratings

| Part number | 6CWQ04FN |
|---|----------|
| V_R Max. DC Reverse Voltage (V) | 40 |
| V_{RWM} Max. Working Peak Reverse Voltage (V) | |

Absolute Maximum Ratings

| Parameters | 6CWQ... | Units | Conditions |
|--|-----------|-------|--|
| $I_{F(AV)}$ Max. Average Forward (Per Leg) Current * See Fig. 5 (Per Device) | 3.5 7 | A | 50% duty cycle @ $T_C = 135^\circ\text{C}$, rectangular wave form |
| I_{FSM} Max. Peak One Cycle Non-Repetitive Surge Current (Per Leg) * See Fig. 7 | 500 80 | A | 5 μs Sine or 3 μs Rect. pulse 10ms Sine or 6ms Rect. pulse Following any rated load condition and with rated V_{RRM} applied |
| E_{AS} Non-Repet. Avalan. Energy (Per Leg) | 8.0 | mJ | $T_J = 25^\circ\text{C}$, $I_{AS} = 1$ Amp, $L = 16$ mH |
| I_{AR} Repetitive Avalanche Current (Per Leg) | 1.0 | A | Current decaying linearly to zero in 1 μsec Frequency limited by T_J max. $V_A = 1.5 \times V_R$ typical |

Electrical Specifications

| Parameters | 6CWQ... | Units | Conditions |
|--|------------------------------|------------------|---|
| V_{FM} Max. Forward Voltage Drop (Per Leg) * See Fig. 1 (1) | 0.53 0.67 0.49 0.62 | V | @ 3A @ 6A @ 3A @ 6A $T_J = 25^\circ\text{C}$ $T_J = 125^\circ\text{C}$ |
| I_{RM} Max. Reverse Leakage Current (Per Leg) * See Fig. 2 (1) | 2 24 | mA | $T_J = 25^\circ\text{C}$ $T_J = 125^\circ\text{C}$ $V_R = \text{rated } V_R$ |
| $V_{F(TO)}$ Threshold Voltage | 0.34 | V | $T_J = T_J \text{ max.}$ |
| r_t Forward Slope Resistance | 37.33 | m Ω | |
| C_T Typ. Junction Capacitance (Per Leg) | 189 | pF | $V_R = 5V_{DC}$ (test signal range 100Khz to 1Mhz) 25°C |
| L_S Typical Series Inductance (Per Leg) | 5.0 | nH | Measured lead to lead 5mm from package body |
| dv/dt Max. Voltage Rate of Change | 10000 | V/ μs | (Rated V_R) |

(1) Pulse Width < 300 μs , Duty Cycle <2%

Thermal-Mechanical Specifications

| Parameters | 6CWQ... | Units | Conditions |
|---|--------------|---------------------------|---------------------------|
| T_J Max. Junction Temperature Range (*) | -40 to 150 | $^\circ\text{C}$ | |
| T_{stg} Max. Storage Temperature Range | -40 to 150 | $^\circ\text{C}$ | |
| R_{thJC} Max. Thermal Resistance (Per Leg) Junction to Case (Per Device) | 4.70 2.35 | $^\circ\text{C}/\text{W}$ | DC operation * See Fig. 4 |
| wt Approximate Weight | 0.3 (0.01) | g (oz.) | |
| Case Style | D-Pak | | Similar to TO-252AA |
| Marking Device | 6CWQ04FN | | |

(*) $\frac{dP_{tot}}{dT_J} < \frac{1}{R_{th(j-a)}}$ thermal runaway condition for a diode on its own heatsink

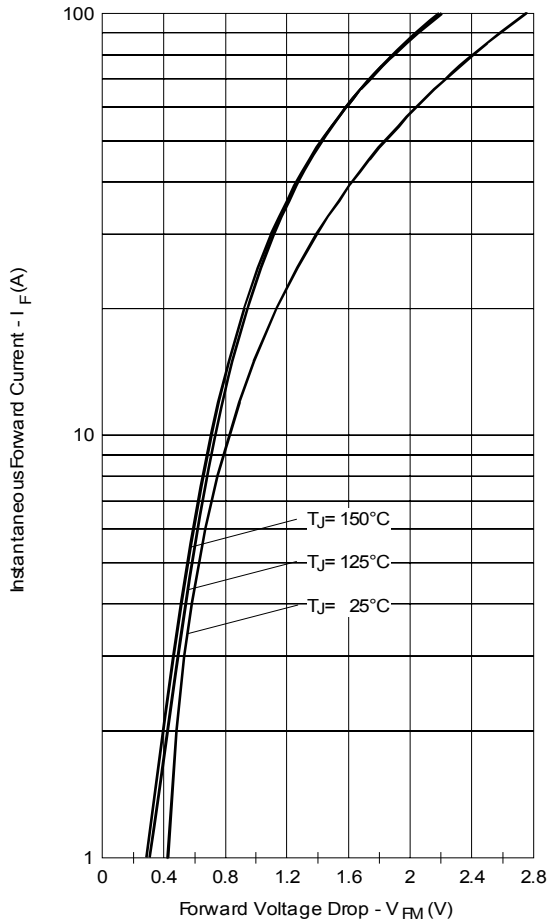


Fig. 1 - Max. Forward Voltage Drop Characteristics (Per Leg)

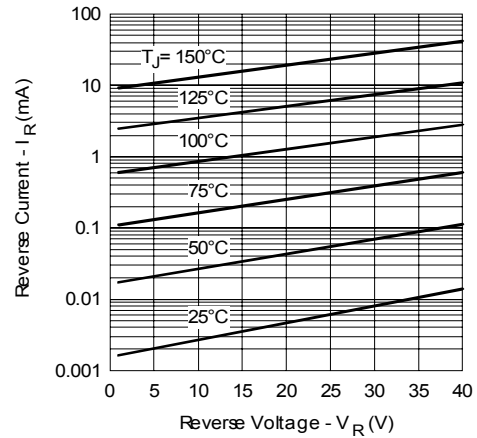


Fig. 2 - Typical Values Of Reverse Current Vs. Reverse Voltage (Per Leg)

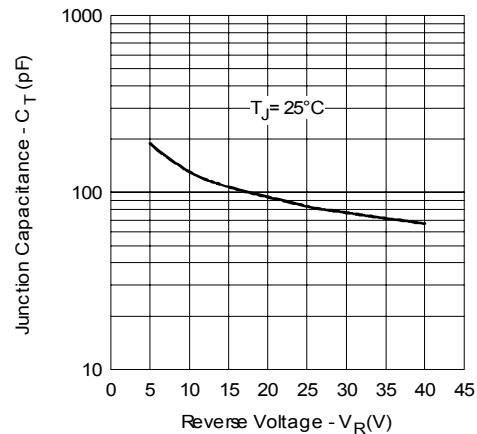


Fig. 3 - Typical Junction Capacitance Vs. Reverse Voltage (Per Leg)

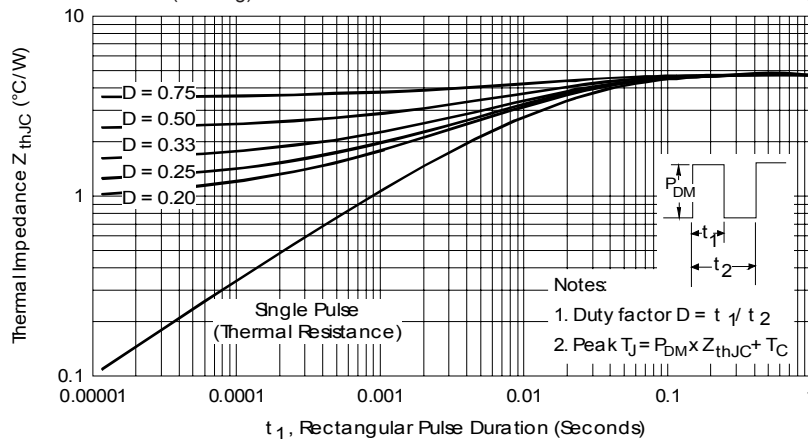


Fig. 4 - Max. Thermal Impedance Z_{thJC} Characteristics (Per Leg)

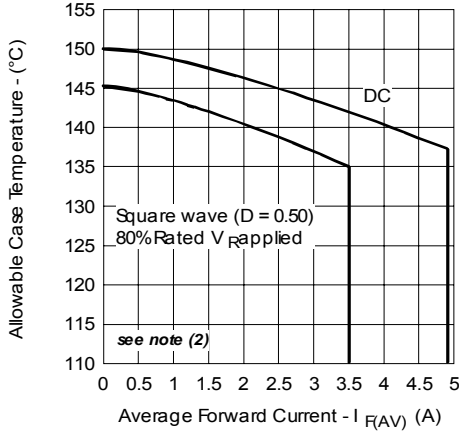


Fig. 5 - Max. Allowable Case Temperature Vs. Average Forward Current (Per Leg)

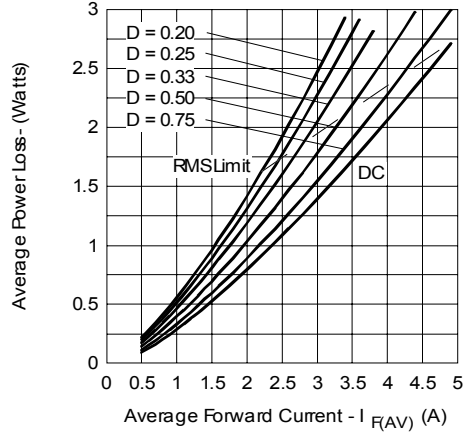


Fig. 6 - Forward Power Loss Characteristics (Per Leg)

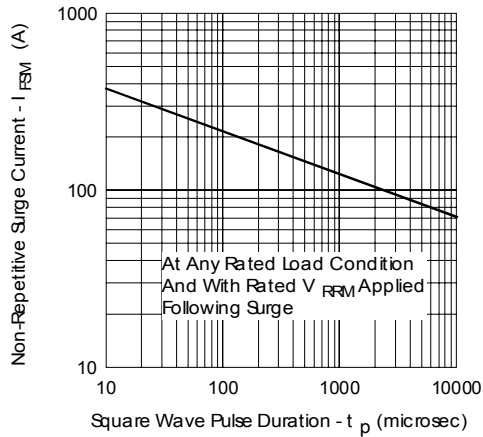


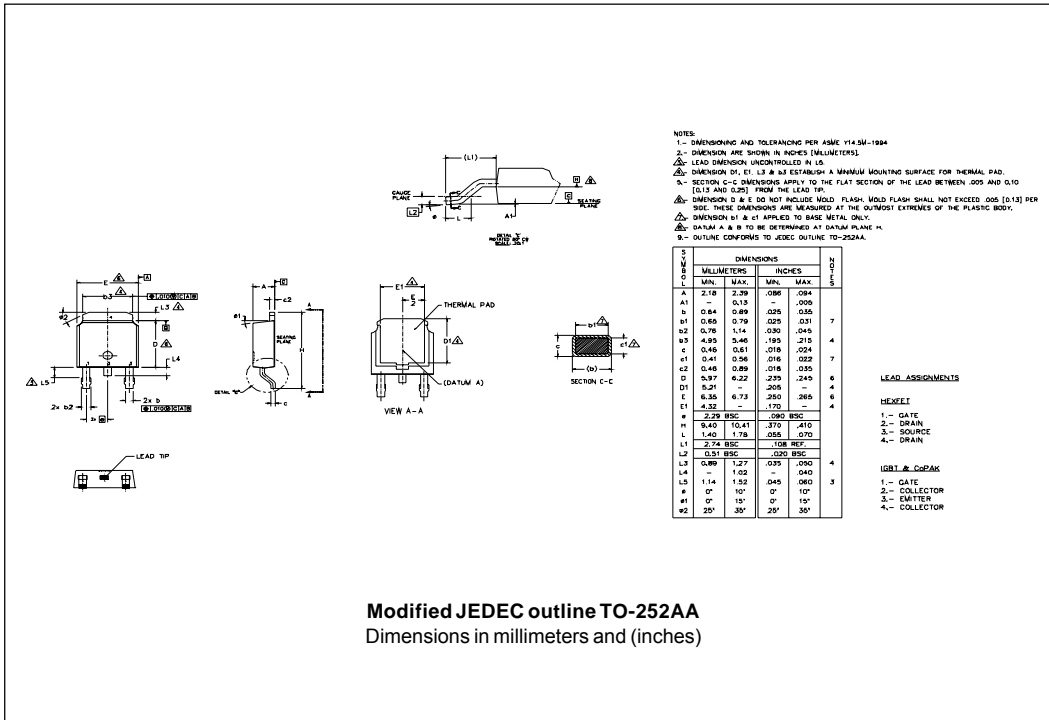
Fig. 7 - Max. Non-Repetitive Surge Current (Per Leg)

(2) Formula used: $T_C = T_J - (Pd + Pd_{REV}) \times R_{thJC}$;

Pd = Forward Power Loss = $I_{F(AV)} \times V_{FM} @ (I_{F(AV)} / D)$ (see Fig. 6);

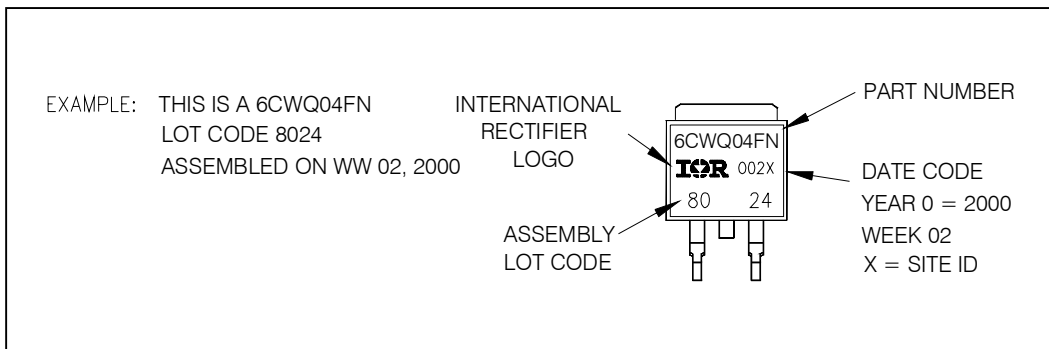
Pd_{REV} = Inverse Power Loss = $V_{R1} \times I_R (1 - D)$; $I_R @ V_{R1} = 80\%$ rated V_R

Outline Table

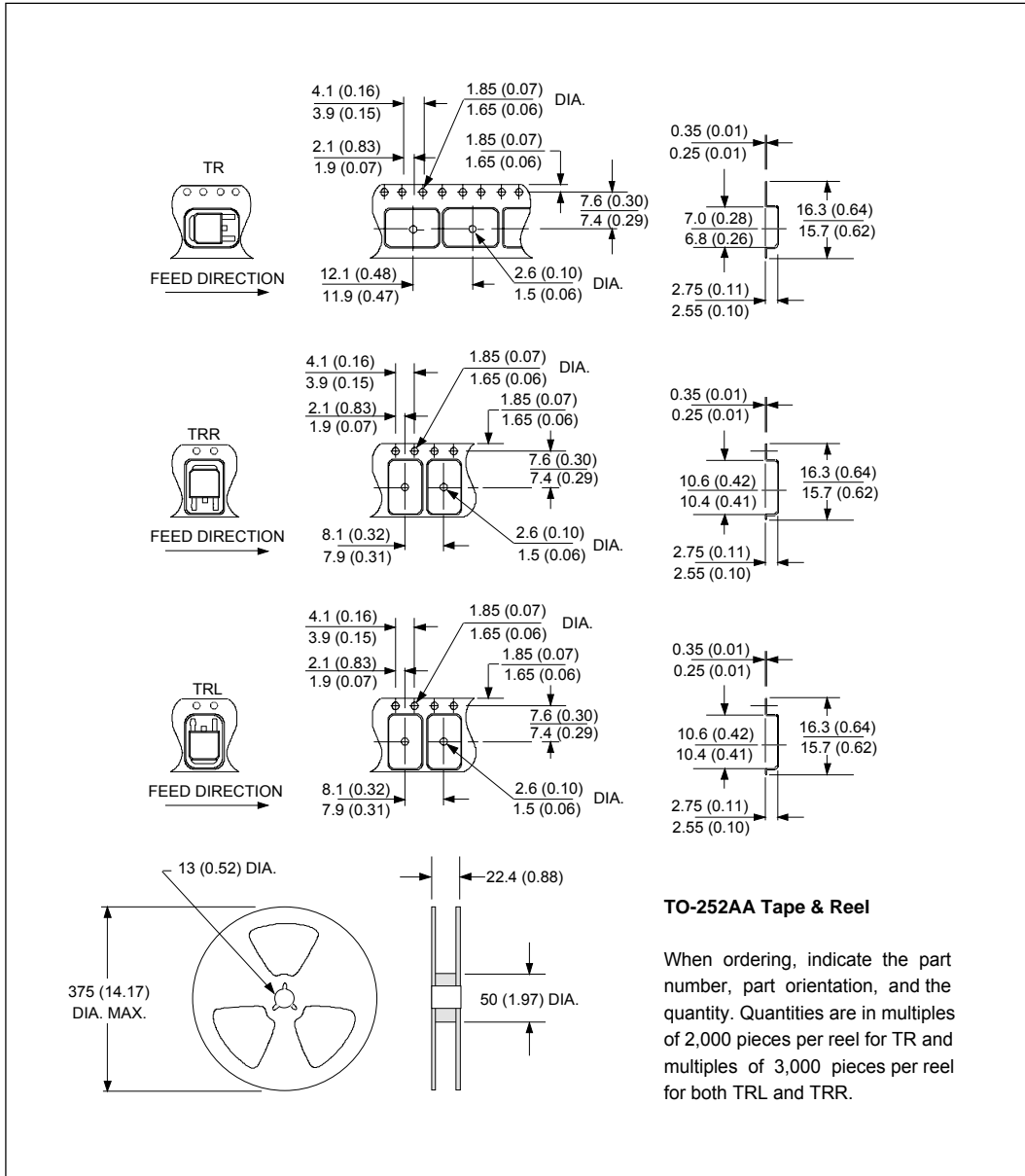


Modified JEDEC outline TO-252AA
Dimensions in millimeters and (inches)

Part Marking Information



Tape & Reel Information



Ordering Information Table

| Device Code | 6 | C | W | Q | 04 | FN | TRL | - |
|-------------|---|--|---|---|----|----|-----|---|
| | ① | ② | ③ | ④ | ⑤ | ⑥ | ⑦ | ⑧ |
| 1 | - | Current Rating (7A) | | | | | | |
| 2 | - | Center Tap Configuration | | | | | | |
| 3 | - | Package Identifier W = D-Pak | | | | | | |
| 4 | - | Schottky "Q" Series | | | | | | |
| 5 | - | Voltage Rating (04 = 40V) | | | | | | |
| 6 | - | FN = TO-252AA | | | | | | |
| 7 | - | <ul style="list-style-type: none"> • none = Tube (50 pieces) • TR = Tape & Reel • TRL = Tape & Reel (Left Oriented) • TRR = Tape & Reel (Right Oriented) | | | | | | |
| 8 | - | <ul style="list-style-type: none"> • none = Standard Production • PbF = Lead-Free | | | | | | |

Data and specifications subject to change without notice.
 This product has been designed and qualified for AEC Q101 Level.
 Qualification Standards can be found on IR's Web site.



Notice

The products described herein were acquired by Vishay Intertechnology, Inc., as part of its acquisition of International Rectifier's Power Control Systems (PCS) business, which closed in April 2007. Specifications of the products displayed herein are pending review by Vishay and are subject to the terms and conditions shown below.

Specifications of the products displayed herein are subject to change without notice. Vishay Intertechnology, Inc., or anyone on its behalf, assumes no responsibility or liability for any errors or inaccuracies.

Information contained herein is intended to provide a product description only. No license, express or implied, by estoppel or otherwise, to any intellectual property rights is granted by this document. Except as provided in Vishay's terms and conditions of sale for such products, Vishay assumes no liability whatsoever, and disclaims any express or implied warranty, relating to sale and/or use of Vishay products including liability or warranties relating to fitness for a particular purpose, merchantability, or infringement of any patent, copyright, or other intellectual property right.

The products shown herein are not designed for use in medical, life-saving, or life-sustaining applications. Customers using or selling these products for use in such applications do so at their own risk and agree to fully indemnify Vishay for any damages resulting from such improper use or sale.

International Rectifier®, IR®, the IR logo, HEXFET®, HEXSense®, HEXDIP®, DOL®, INTERO®, and POWIRTRAIN® are registered trademarks of International Rectifier Corporation in the U.S. and other countries. All other product names noted herein may be trademarks of their respective owners.