

阅读申明

- 1.本站收集的数据手册和产品资料都来自互联网，版权归原作者所有。如读者和版权方有任何异议请及时告之，我们将妥善解决。
- 2.本站提供的中文数据手册是英文数据手册的中文翻译，其目的是协助用户阅读，该译文无法自动跟随原稿更新，同时也可能存在翻译上的不当。建议读者以英文原稿为参考以便获得更精准的信息。
- 3.本站提供的产品资料，来自厂商的技术支持或者使用者的心得体会等，其内容可能存在描述上的差异，建议读者做出适当判断。
- 4.如需与我们联系，请发邮件到marketing@iczoom.com，主题请标有“数据手册”字样。

Read Statement

1. The datasheets and other product information on the site are all from network reference or other public materials, and the copyright belongs to the original author and original published source. If readers and copyright owners have any objections, please contact us and we will deal with it in a timely manner.
2. The Chinese datasheets provided on the website is a Chinese translation of the English datasheets. Its purpose is for reader's learning exchange only and do not involve commercial purposes. The translation cannot be automatically updated with the original manuscript, and there may also be improper translations. Readers are advised to use the English manuscript as a reference for more accurate information.
3. All product information provided on the website refer to solutions from manufacturers' technical support or users the contents may have differences in description, and readers are advised to take the original article as the standard.
4. If you have any questions, please contact us at marketing@iczoom.com and mark the subject with "Datasheets" .



ACS120-7SB/SFP/ST

ASD™ AC Switch Family

AC LINE SWITCH

MAIN APPLICATIONS

- AC static switching in appliance control systems
- Drive of low power high inductive or resistive loads like
 - relay, valve, solenoid, dispenser
 - pump, fan, micro-motor
 - defrost heater

FEATURES

- Blocking voltage : $V_{DRM} / V_{RRM} = +/-700V$
- Avalanche controlled : $V_{CL\ typ} = 1100 V$
- Nominal conducting current : $I_{T(RMS)} = 2A$
- Gate triggering current : $I_{GT} < 10\ mA$
- Switch integrated driver
- High noise immunity : static $dV/dt > 500V/\mu s$

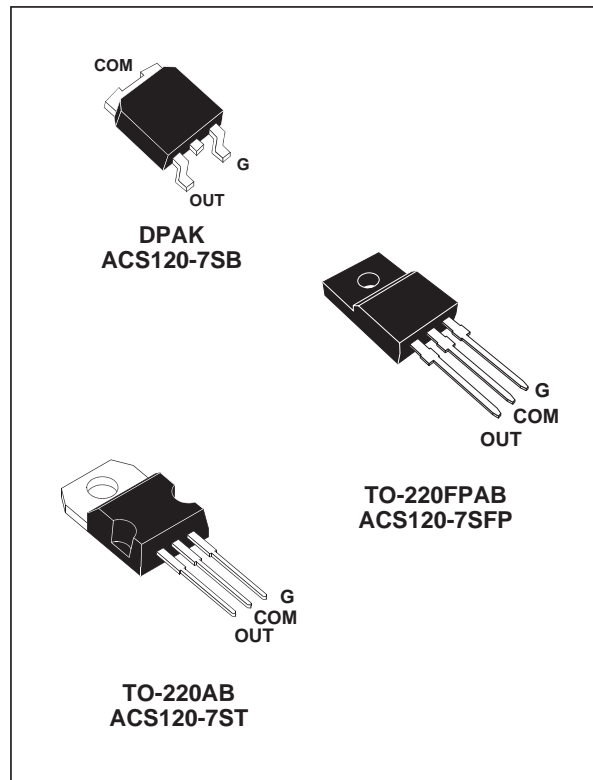
BENEFITS

- Needs no more external protection snubber or varistor
- Enables equipment to meet IEC 61000-4-5
- Reduces component count up to 80 %
- Interfaces directly with the microcontroller
- Eliminates any gate kick back on the microcontroller
- Allows straightforward connection of several ACS™ on same cooling pad.

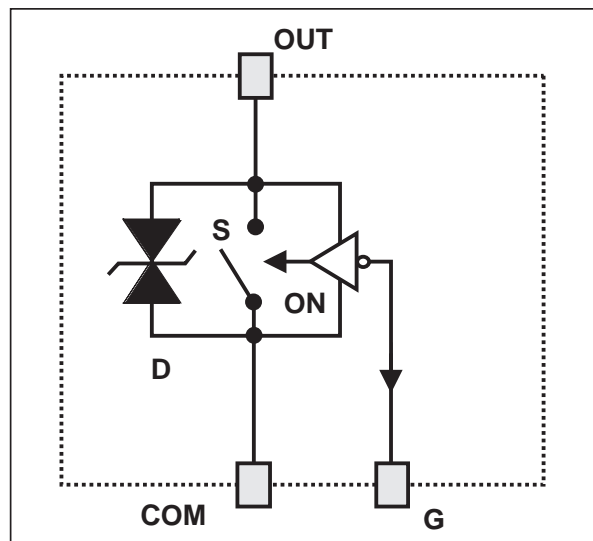
DESCRIPTION

The ACS120 belongs to the AC line switch family built around the ASD™ concept. This high performance switch circuit is able to control a load up to 2 A.

The ACS™ switch embeds a high voltage clamping structure to absorb the inductive turn off energy and a gate level shifter driver to separate the digital controller from the main switch. It is triggered with a negative gate current flowing out of the gate pin.



FUNCTIONAL DIAGRAM



ACS120-7SB/SFP/ST

ABSOLUTE RATINGS (limiting values)

For either positive or negative polarity of pin OUT voltage in respect to pin COM voltage

Symbol	Parameter		Value	Unit
V_{DRM} / V_{RRM}	Repetitive peak off-state voltage		$T_j = -10\text{ °C}$ 700	V
$I_{T(RMS)}$	RMS on-state current full cycle sine wave 50 to 60 Hz	DPAK	$T_c = 115\text{ °C}$ 2	A
		TO-220FPAB	$T_c = \text{ °C}$	
		TO-220AB	$T_c = 115\text{ °C}$	
I_{TSM}	Non repetitive surge peak on-state current T_j initial = 25 °C , full cycle sine wave	$F = 50\text{ Hz}$	20	A
		$F = 60\text{ Hz}$	11	A
I^2t	Fusing capability		$t_p = 10\text{ ms}$	A^2s
di/dt	Repetitive on-state current critical rate of rise $I_G = 10\text{ mA}$ ($t_r < 100\text{ ns}$)	$T_j = 125\text{ °C}$	$F = 120\text{ Hz}$ 50	$\text{A}/\mu\text{s}$
V_{PP}	Non repetitive line peak pulse voltage		note 1 2	kV
T_{stg}	Storage temperature range			- 40 to + 150 °C
T_j	Operating junction temperature range			- 30 to + 125 °C
T_l	Maximum lead soldering temperature during 10s			260 °C

Note 1: according to test described by IEC61000-4-5 standard & Figure 3.

GATE CHARACTERISTICS (maximum values)

Symbol	Parameter	Value	Unit
$P_{G(AV)}$	Average gate power dissipation	0.1	W
I_{GM}	Peak gate current ($t_p = 20\mu\text{s}$)	1	A
V_{GM}	Peak positive gate voltage (in respect to pin COM)	5	V

THERMAL RESISTANCES

Symbol	Parameter		Value	Unit
$R_{th(j-a)}$	Junction to ambient	$S = 0.5\text{ cm}^2$ DPAK	70	°C/W
		TO-220FPAB	60	°C/W
		TO-220AB	60	°C/W
$R_{th(j-l)}$	Junction to tab/lead for full cycle sine wave conduction	DPAK	2.6	°C/W
		TO-220FPAB	3.5	°C/W
		TO-220AB	2.6	°C/W

S = Copper surface under Tab

PARAMETER DESCRIPTION

Parameter Symbol	Parameter description
I_{GT}	Triggering gate current
V_{GT}	Triggering gate voltage
V_{GD}	Non-triggering gate voltage
I_H	Holding current
I_L	Latching current
V_{TM}	Peak on-state voltage drop
V_{TO}	On state threshold voltage
R_d	On state dynamic resistance
I_{DRM} / I_{RRM}	Maximum forward or reverse leakage current
dV/dt	Critical rate of rise of off-state voltage
$(dV/dt)_c$	Critical rate of rise of commutating off-state voltage
$(dI/dt)_c$	Critical rate of decrease of commutating on-state current
V_{CL}	Clamping voltage
I_{CL}	Clamping current

ELECTRICAL CHARACTERISTICS

For either positive or negative polarity of pin OUT voltage in respect to pin COM voltage.

Symbol	Test Conditions				Values	Unit	
I_{GT}	$V_{OUT}=12V$ (DC)	$R_L=140\Omega$	QII - QIII	$T_j=25^\circ C$	MAX	10	mA
V_{GT}	$V_{OUT}=12V$ (DC)	$R_L=140\Omega$	QII - QIII	$T_j=25^\circ C$	MAX	1	V
V_{GD}	$V_{OUT}=V_{DRM}$ $R_L=3.3k\Omega$			$T_j=125^\circ C$	MIN	0.15	V
I_H	$I_{OUT}=100mA$ gate open			$T_j=25^\circ C$	MAX	45	mA
I_L	$I_G=20mA$			$T_j=25^\circ C$	MAX	65	mA
V_{TM}	$I_{OUT}=2.8A$ $t_p=380\mu s$			$T_j=25^\circ C$	MAX	1.3	V
V_{TO}				$T_j=125^\circ C$	MAX	0.85	V
R_d				$T_j=125^\circ C$	MAX	200	m Ω
I_{DRM} / I_{RRM}	$V_{OUT}=700V$			$T_j=25^\circ C$	MAX	2	μA
				$T_j=125^\circ C$	MAX	200	
dV/dt	$V_{OUT}=460V$ gate open			$T_j=110^\circ C$	MIN	500	V/ μs
$(dI/dt)_c$	$(dV/dt)_c=20V/\mu s$			$T_j=125^\circ C$	MIN	1	A/ms
V_{CL}	$I_{CL}=1mA$ $t_p=1ms$			$T_j=25^\circ C$	TYP	1100	V

ACS120-7SB/SFP/ST

AC LINE SWITCH BASIC APPLICATION

The ACS120 device is well adapted to Washing machine, dishwasher, tumble drier, refrigerator, air-conditioning systems, and cookware. It has been designed especially to switch on & off low power loads such as solenoid, valve, relay, dispenser, micro-motor, pump, fan and defrost heaters.

Pin COM: Common drive reference to connect to the power line neutral

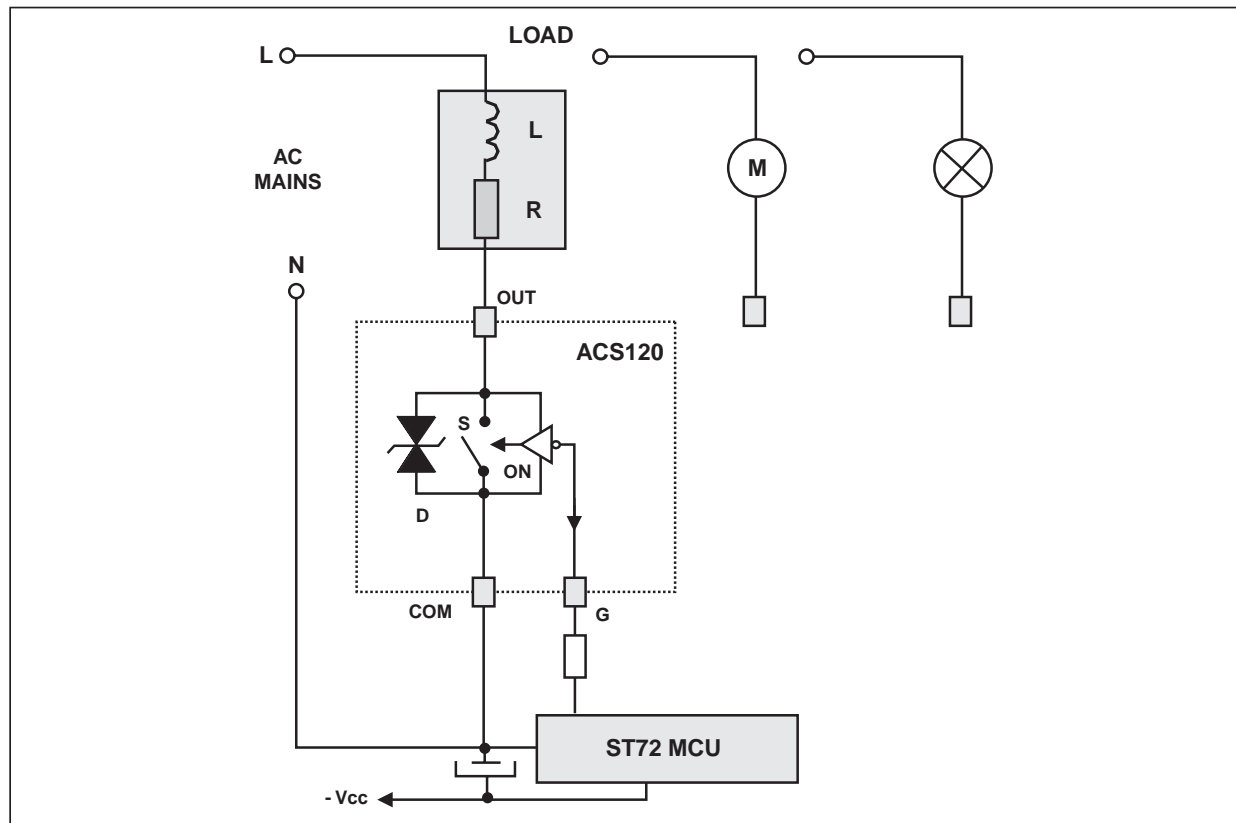
Pin G: Switch Gate input to connect to the digital controller

Pin OUT: Switch Output to connect to the load

This ACS™ switch is triggered with a negative gate current flowing out of the gate pin G. It can be driven directly by the digital controller through a resistor as shown on the typical application diagram.

Thanks to its thermal and turn off commutation performances, the ACS120 switch is able to drive with no turn off additional snubber an inductive load up to 2 A.

TYPICAL APPLICATION DIAGRAM



HIGH INDUCTIVE SWITCH-OFF OPERATION

At the end of the last conduction half-cycle, the load current reaches the holding current level I_H , and the ACS™ switch turns off. Because of the inductance L of the load, the current flows then through the avalanche diode D and decreases linearly to zero. During this time, the voltage across the switch is limited to the clamping voltage V_{CL} .

The energy stored in the inductance of the load depends on the holding current I_H and the inductance (up to 10 H); it can reach about 10 mJ and is dissipated in the clamping diode section. The ACS switch sustains the turn off energy because its clamping section is designed for that purpose.

Fig. A: Turn-off operation of the ACS120 switch with an electro-valve: waveform of the pin OUT current I_{OUT} and voltage V_{OUT} .

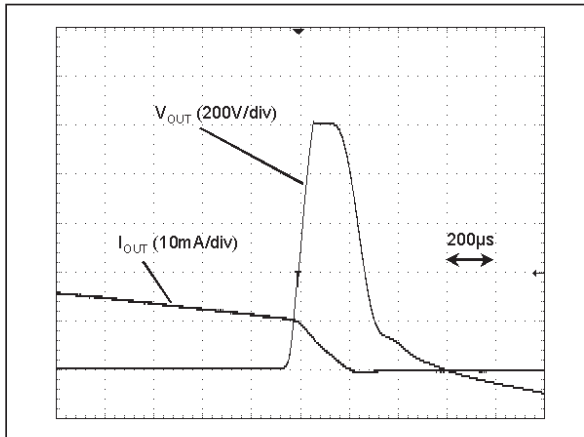
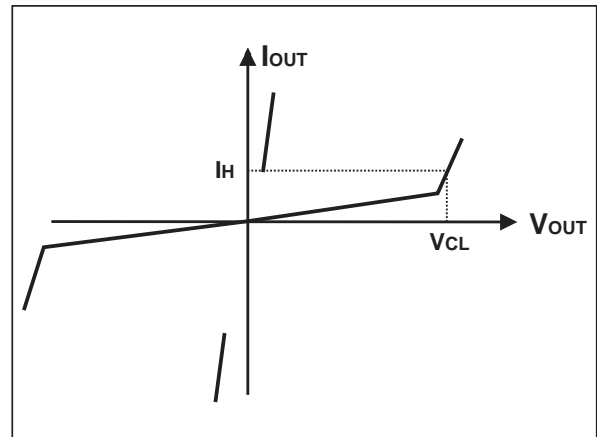


Fig. B: ACS120 switch static characteristic.



AC LINE TRANSIENT VOLTAGE RUGGEDNESS

The ACS120 switch is able to sustain safely the AC line transient voltages either by clamping the low energy spikes or by breaking over under high energy shocks, even with high turn-on current rises.

The test circuit of the figure C is representative of the final ACS application and is also used to stress the ACS switch according to the IEC 61000-4-5 standard conditions. Thanks to the load, the ACS switch sustains the voltage spikes up to 2 kV above the peak line voltage. It will break over safely even on resistive load where the turn on current rise is high as shown on figure D. Such non repetitive test can be done 10 times on each AC line voltage polarity.

Fig. C: Overvoltage ruggedness test circuit for resistive and inductive loads according to IEC61000-4-5 standards.
 $R = 150\Omega$, $L = 10\mu H$, $V_{PP} = 2kV$.

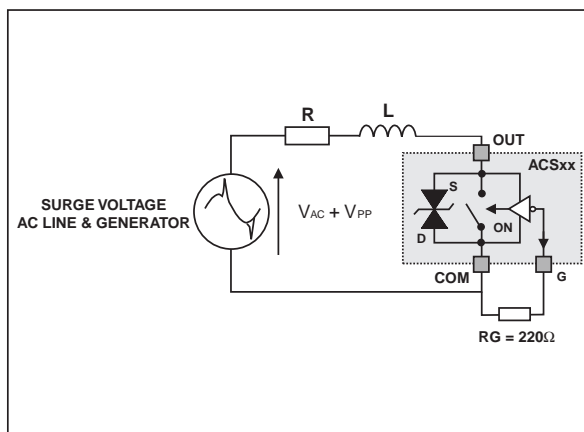
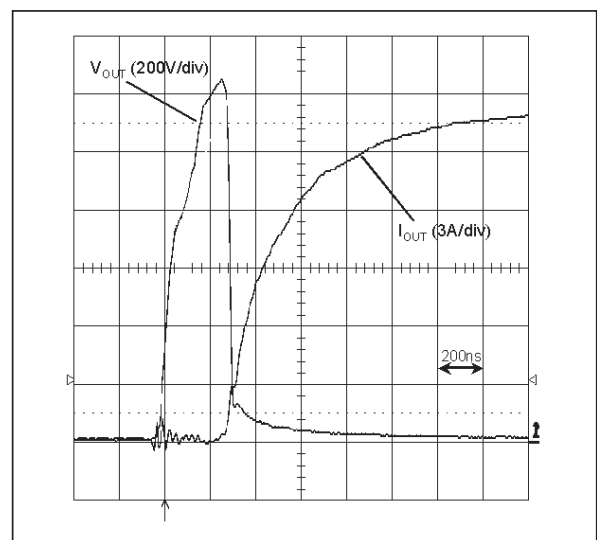


Fig. D: Current and Voltage of the ACS120 during IEC61000-4-5 standard test with R , L & V_{PP} .



OTHER FIGURES

- Maximum power dissipation vs RMS on state current.
- RMS on-state current vs ambient temperature, case temperature
- Relative variation of thermal impedance junction to ambient vs pulse duration and package
- Relative variation of gate trigger current vs junction temperature
- Relative variation of holding, latching and gate current vs junction
- Relative variation of dV/dt vs T_j
- Relative variation of $(dV/dt)_c$ vs $(di/dt)_c$
- Surge peak on-state current vs number of cycles
- Non repetitive surge peak on-state current for a sinusoidal pulse with $t_p < 10ms$, and corresponding of I^2t .
- On-state characteristics (maximal values)
- Thermal resistance junction to ambient vs copper surface under tab (DPAK)
- Relative variation of critical $(di/dt)_c$ vs junction temperature

Fig. 1: Maximum power dissipation versus RMS on-state current.

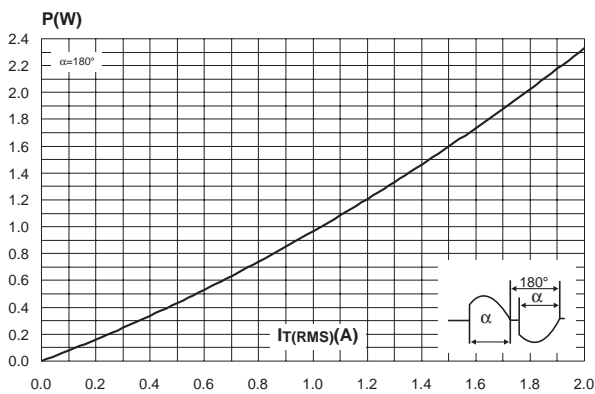


Fig. 2-1: RMS on-state current versus case temperature.

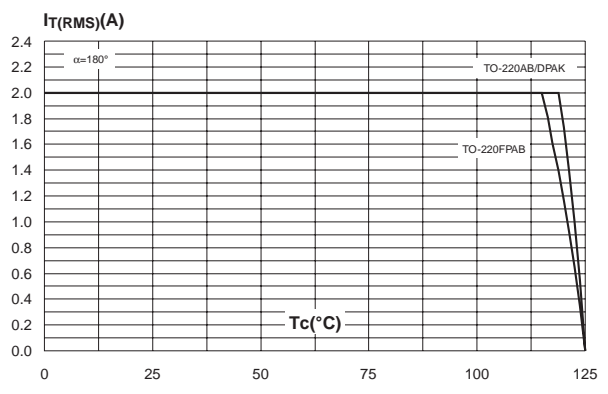


Fig. 2-2: RMS on-state current versus ambient temperature.

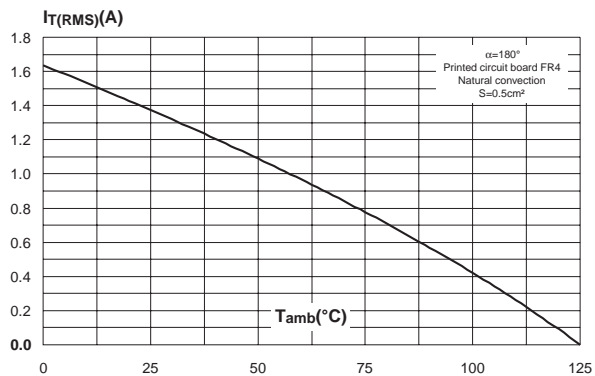


Fig. 3: Relative variation of thermal impedance versus pulse duration.

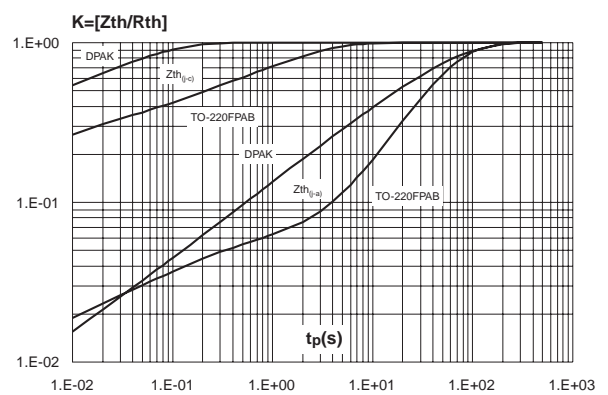


Fig. 4: Relative variation of gate trigger current, holding current and latching versus junction temperature (typical values).

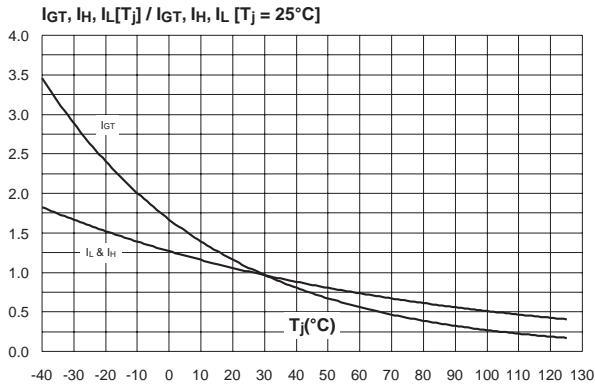


Fig. 5: Relative variation of static dV/dt versus junction temperature.

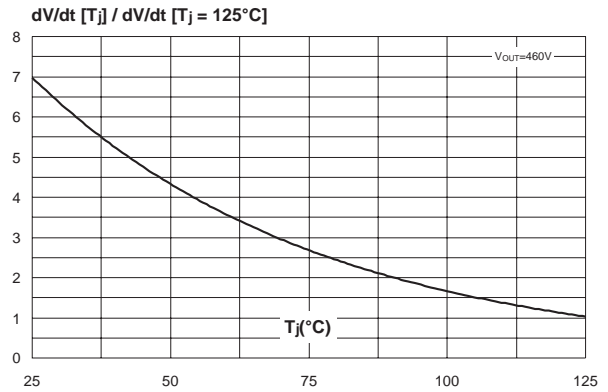


Fig. 6: Relative variation of critical rate of decrease of main current versus reapplied dV/dt (typical values).

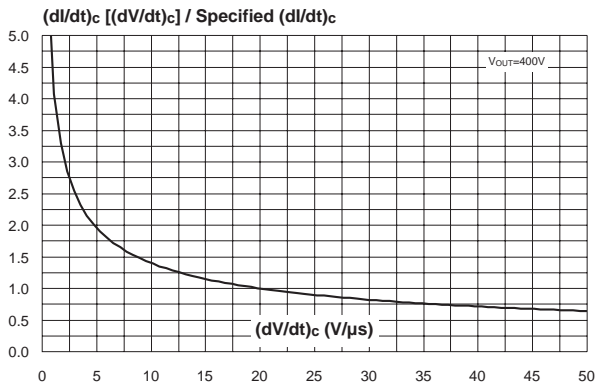


Fig. 7: Relative variation of critical rate of decrease of main current versus junction temperature.

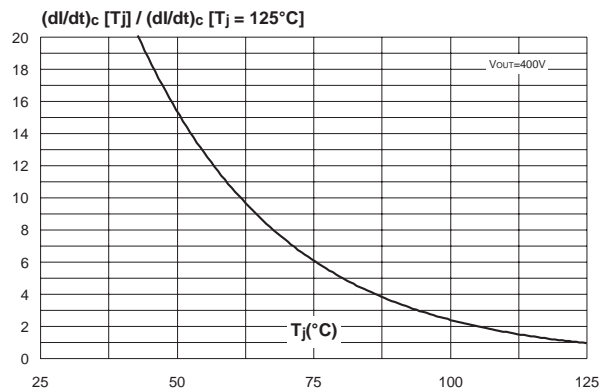


Fig. 8: Surge peak on-state current versus number of cycles.

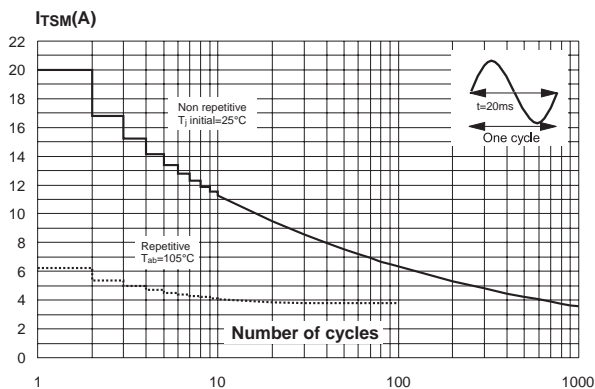
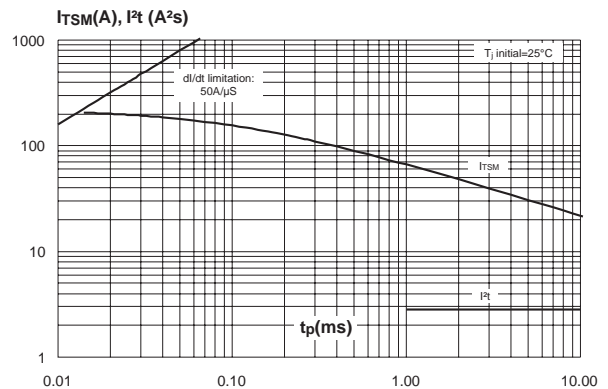


Fig. 9: Non repetitive surge peak on-state current for a sinusoidal pulse with width $t_p < 10\text{ms}$, and corresponding value of I^2t .



ACS120-7SB/SFP/ST

Fig. 10: On-state characteristics (maximum values).

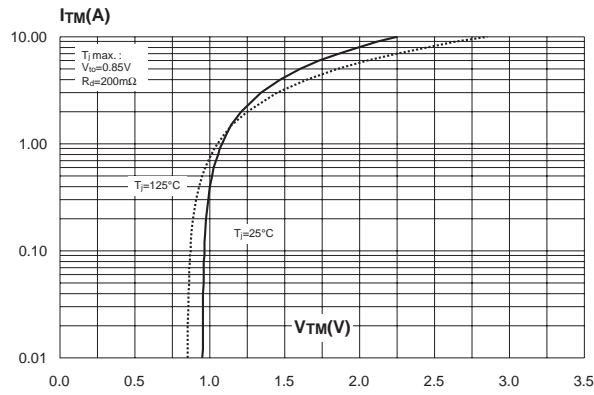
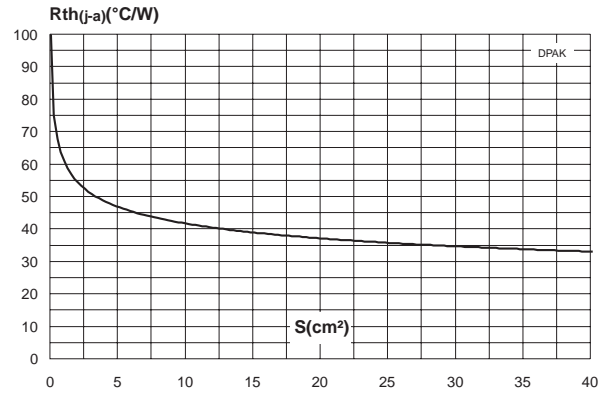
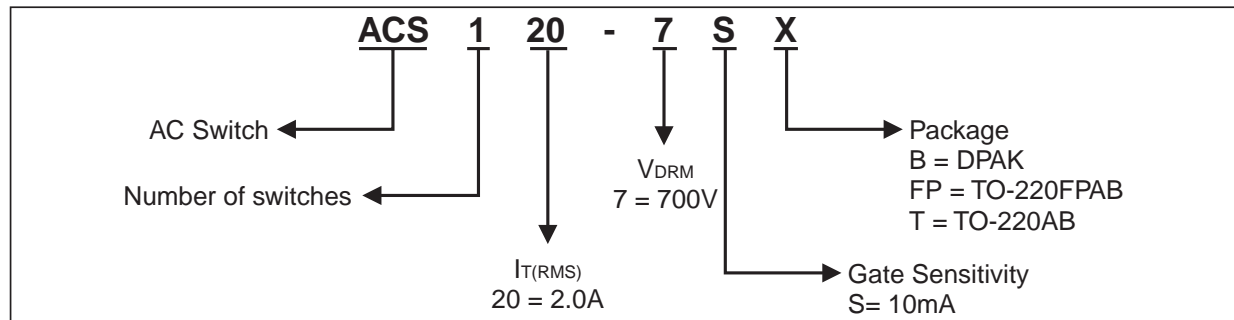


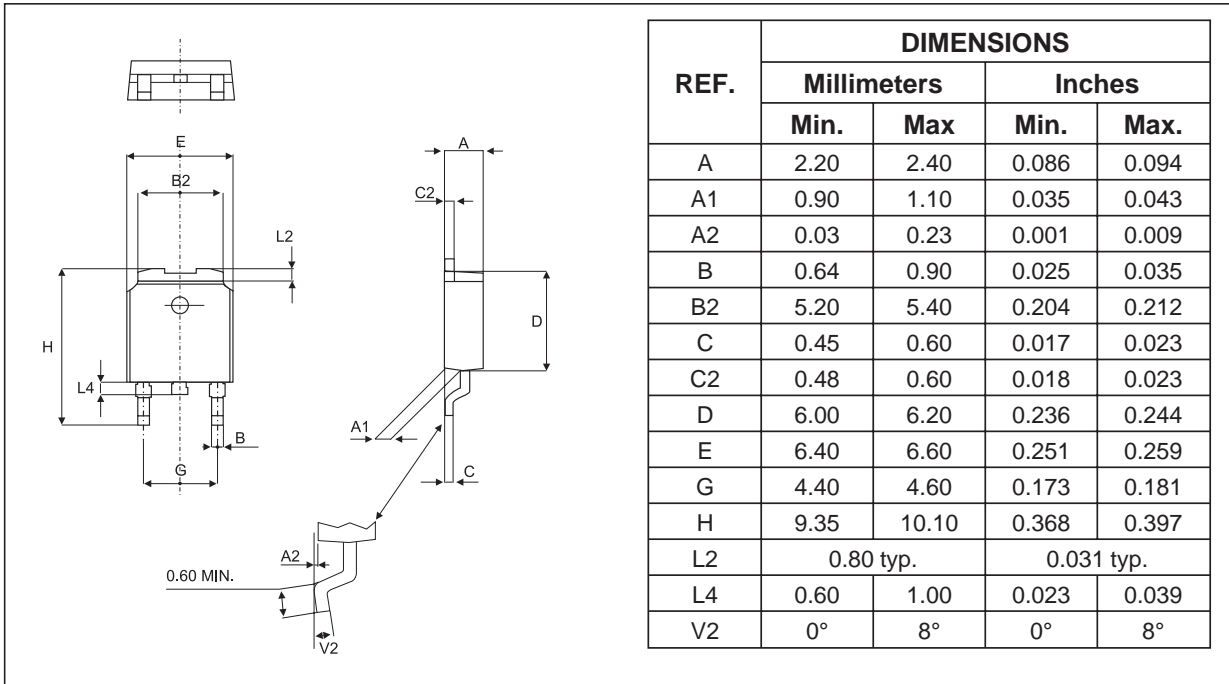
Fig. 11: Thermal resistance junction to ambient versus copper surface under tab (printed circuit board FR4, copper thickness: 35µm)



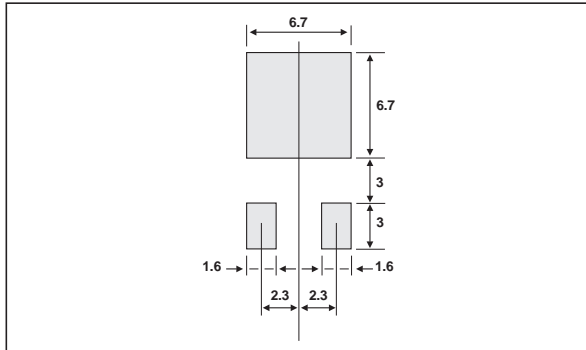
ORDERING INFORMATION



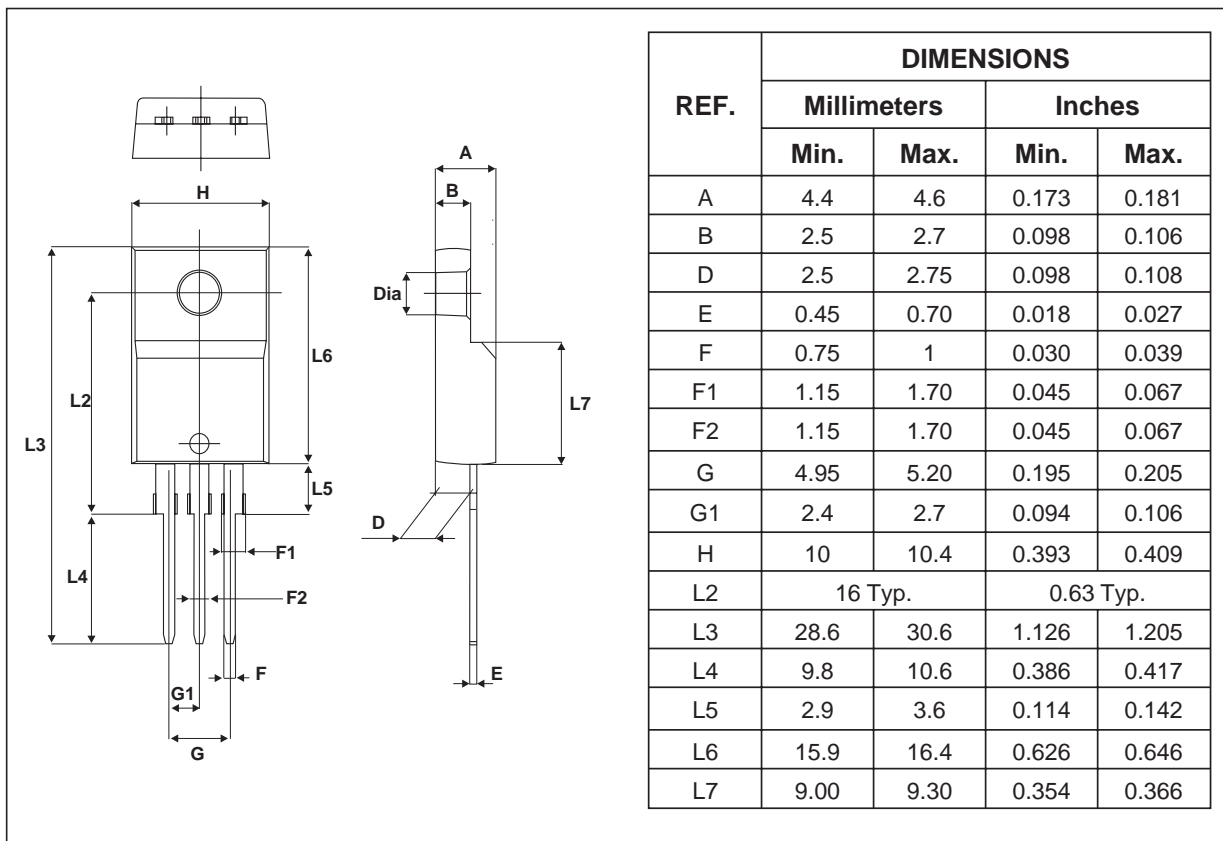
PACKAGE OUTLINE MECHANICAL DATA
DPAK

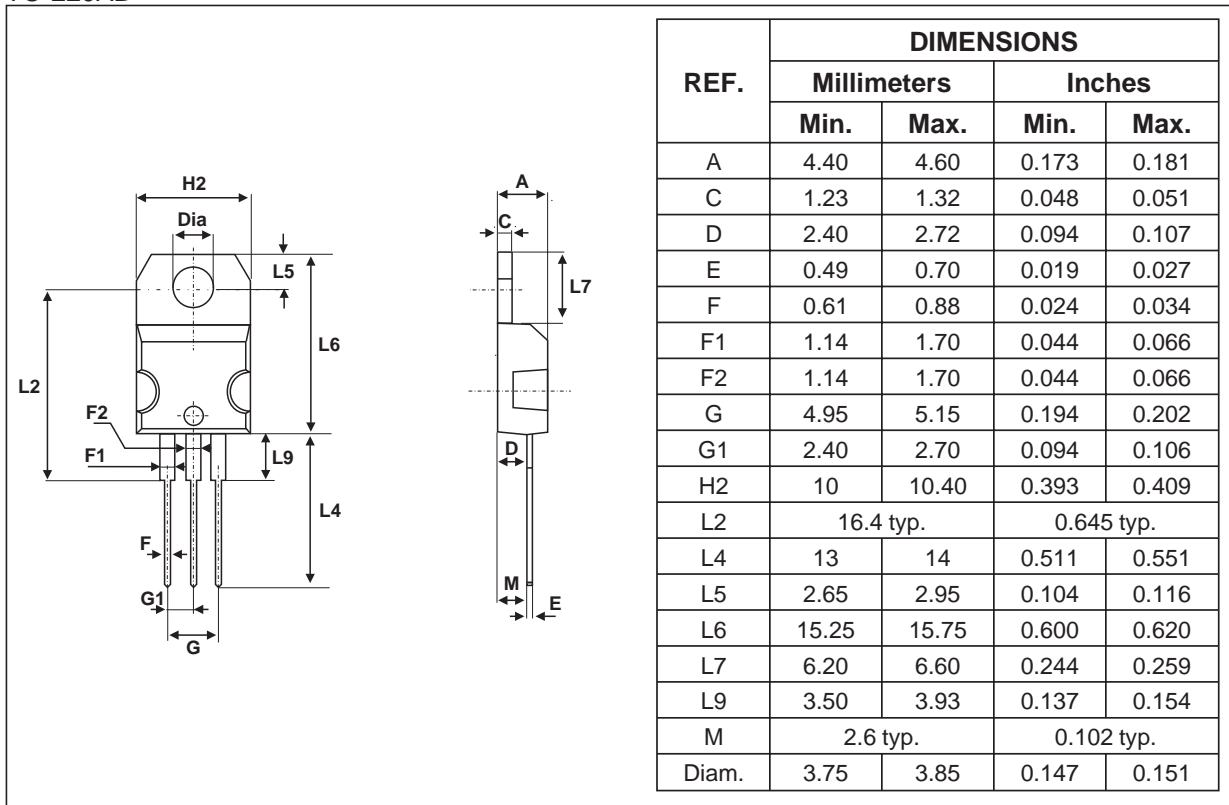


FOOT PRINT
DPAK



PACKAGE OUTLINE MECHANICAL DATA
TO-220FPAB



PACKAGE OUTLINE MECHANICAL DATA
 TO-220AB

OTHER INFORMATION

Ordering type	Marking	Package	Weight	Base qty	Delivery mode
ACS120-7SB	ACS1207S	DPAK	0.3 g	75	Tube
ACS120-7SB-TR	ACS1207S	DPAK	0.3 g	2500	Tape & reel
ACS120-7SFP	ACS1207S	TO-220FPAB	2.4 g	50	Tube
ACS120-7ST	ACS1207S	TO-220AB	2.3 g	250	Bulk

- Epoxy meets UL94,V0

Information furnished is believed to be accurate and reliable. However, STMicroelectronics assumes no responsibility for the consequences of use of such information nor for any infringement of patents or other rights of third parties which may result from its use. No license is granted by implication or otherwise under any patent or patent rights of STMicroelectronics. Specifications mentioned in this publication are subject to change without notice. This publication supersedes and replaces all information previously supplied. STMicroelectronics products are not authorized for use as critical components in life support devices or systems without express written approval of STMicroelectronics.

The ST logo is a registered trademark of STMicroelectronics

© 2003 STMicroelectronics - Printed in Italy - All rights reserved.

STMicroelectronics GROUP OF COMPANIES

Australia - Brazil - Canada - China - Finland - France - Germany
 Hong Kong - India - Israel - Italy - Japan - Malaysia - Malta - Morocco - Singapore
 Spain - Sweden - Switzerland - United Kingdom - United States.

<http://www.st.com>

