

阅读申明

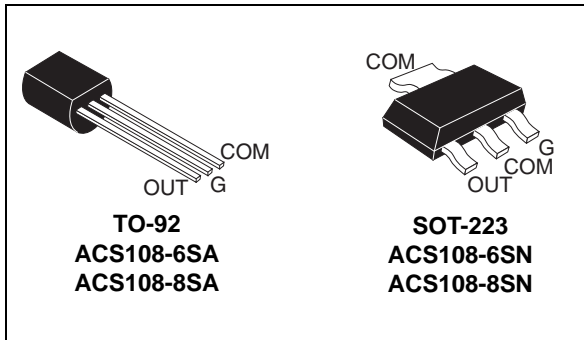
- 1.本站收集的数据手册和产品资料都来自互联网，版权归原作者所有。如读者和版权方有任何异议请及时告之，我们将妥善解决。
- 2.本站提供的中文数据手册是英文数据手册的中文翻译，其目的是协助用户阅读，该译文无法自动跟随原稿更新，同时也可能存在翻译上的不当。建议读者以英文原稿为参考以便获得更精准的信息。
- 3.本站提供的产品资料，来自厂商的技术支持或者使用者的心得体会等，其内容可能存在描述上的差异，建议读者做出适当判断。
- 4.如需与我们联系，请发邮件到marketing@iczoom.com，主题请标有“数据手册”字样。

Read Statement

1. The datasheets and other product information on the site are all from network reference or other public materials, and the copyright belongs to the original author and original published source. If readers and copyright owners have any objections, please contact us and we will deal with it in a timely manner.
2. The Chinese datasheets provided on the website is a Chinese translation of the English datasheets. Its purpose is for reader's learning exchange only and do not involve commercial purposes. The translation cannot be automatically updated with the original manuscript, and there may also be improper translations. Readers are advised to use the English manuscript as a reference for more accurate information.
3. All product information provided on the website refer to solutions from manufacturers' technical support or users the contents may have differences in description, and readers are advised to take the original article as the standard.
4. If you have any questions, please contact us at marketing@iczoom.com and mark the subject with "Datasheets" .

Overvoltage protected AC switch (ACS™)

Datasheet - production data



Description

The ACS108 belongs to the AC switch range (built with A. S. D.® technology). This high performance switch can control a load of up to 0.8 A. The ACS108 switch includes an overvoltage crowbar structure to absorb the inductive turn-off energy, and a gate level shifter driver to separate the digital controller from the main switch. It is triggered with a negative gate current flowing out of the gate pin.

Features

- Enables equipment to meet IEC 61000-4-5 surge with overvoltage crowbar technology
- High noise immunity against static dV/dt and IEC 61000-4-4 burst
- Needs no external protection snubber or varistor
- Reduces component count by up to 80% and Interfaces directly with the micro-controller
- Common package tab connection supports connection of several alternating current switches on the same cooling pad
- V_{CL} gives headroom before clamping then crowbar action

Applications

- Alternating current on/off static switching in appliances and industrial control systems
- Driving low power high inductive or resistive loads like:
 - relay, valve, solenoid, dispenser,
 - pump, fan, low power motor, door lock
 - lamp

Figure 1. Functional diagram

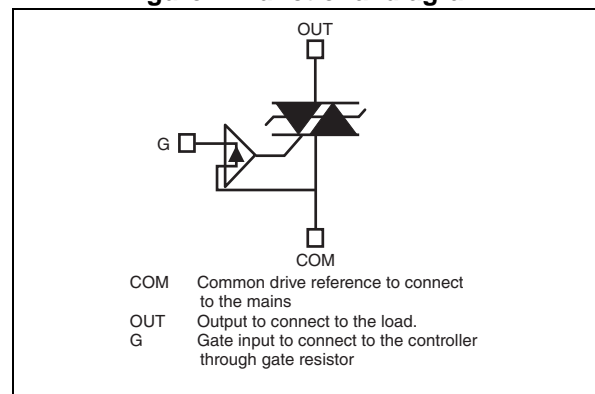


Table 1. Device summary

| Symbol | Value | Unit |
|--------------------|-------------|------|
| $I_{T(RMS)}$ | 0.8 | A |
| V_{DRM}, V_{RRM} | 600 and 800 | V |
| I_{GT} | 10 | mA |

®: A.S.D. is a registered trademark of STMicroelectronics

™: ACS is a trademark of STMicroelectronics

1 Characteristics

Table 2. Absolute maximum ratings ($T_{amb} = 25\text{ °C}$, unless otherwise specified)

| Symbol | Parameter | | Value | Unit | |
|--------------------|--|--------------------------------|---------------------------|----------------------------|-------------|
| $I_{T(RMS)}$ | On-state rms current (full sine wave) | TO-92 | $T_{amb} = 64\text{ °C}$ | 0.45 | A |
| | | | $T_{lead} = 76\text{ °C}$ | 0.8 | A |
| | | SOT-223 $S = 5\text{ cm}^2$ | $T_{amb} = 76\text{ °C}$ | | |
| | | | $T_{tab} = 104\text{ °C}$ | | |
| I_{TSM} | Non repetitive surge peak on-state current (full cycle sine wave, T_j initial = 25 °C) | F = 60 Hz | t = 16.7 ms | 13.7 | A |
| | | F = 50 Hz | t = 20 ms | 13 | |
| I^2t | I^2t Value for fusing | | $t_p = 10\text{ ms}$ | 1.1 | A^2s |
| dI/dt | Critical rate of rise of on-state current $I_G = 2 \times I_{GT}$, $t_r \leq 100\text{ ns}$ | F = 120 Hz | $T_j = 125\text{ °C}$ | 100 | A/ μs |
| V_{PP} | Non repetitive mains peak mains voltage ⁽¹⁾ | | | 2 | kV |
| I_{GM} | Peak gate current | $t_p = 20\text{ }\mu s$ | $T_j = 125\text{ °C}$ | 1 | A |
| V_{GM} | Peak positive gate voltage | | $T_j = 125\text{ °C}$ | 10 | V |
| $P_{G(AV)}$ | Average gate power dissipation | | $T_j = 125\text{ °C}$ | 0.1 | W |
| T_{stg} T_j | Storage junction temperature range Operating junction temperature range | | | -40 to +150 -30 to +125 | $^{\circ}C$ |

1. According to test described by IEC 61000-4-5 standard and [Figure 18](#)

Table 3. Electrical characteristics ($T_j = 25\text{ °C}$, unless otherwise specified)

| Symbol | Test conditions | Quadrant | | Value | Unit |
|----------------|---|----------|------|-------|------------|
| $I_{GT}^{(1)}$ | $V_{OUT} = 12\text{ V}$, $R_L = 33\text{ }\Omega$ | II - III | Max. | 10 | mA |
| V_{GT} | | | | 1 | V |
| V_{GD} | $V_{OUT} = V_{DRM}$, $R_L = 3.3\text{ k}\Omega$, $T_j = 125\text{ °C}$ | II - III | Min. | 0.15 | V |
| I_H | $I_{OUT} = 100\text{ mA}$ | | Max. | 10 | mA |
| I_L | $I_G = 1.2 \times I_{GT}$ | | Max. | 25 | mA |
| dV/dt | $V_{OUT} = 402\text{ V}$, gate open, $T_j = 125\text{ °C}$ | | Min. | 2000 | V/ μs |
| | $V_{OUT} = 536\text{ V}$, gate open, $T_j = 125\text{ °C}$ | | Min. | 400 | V/ μs |
| (dI/dt)c | Without snubber (15 V/ μs), $T_j = 125\text{ °C}$, turn-off time $\leq 20\text{ ms}$ | | Min. | 2 | A/ms |
| V_{CL} | $I_{CL} = 0.1\text{ mA}$, $t_p = 1\text{ ms}$, ACS108-6 | | Min. | 650 | V |
| | $I_{CL} = 0.1\text{ mA}$, $t_p = 1\text{ ms}$, ACS108-8 | | Min. | 850 | V |

1. Minimum I_{GT} is guaranteed at 10% of I_{GT} max

Table 4. Static electrical characteristics

| Symbol | Parameter and test conditions | | Value | Unit | |
|------------------------|--|------------------------------------|-------|------|---------------|
| $V_{TM}^{(1)}$ | $I_{TM} = 1.1 \text{ A}$, $t_p = 500 \mu\text{s}$ | $T_j = 25 \text{ }^\circ\text{C}$ | Max. | 1.3 | V |
| $V_{t0}^{(1)}$ | Threshold voltage | $T_j = 125 \text{ }^\circ\text{C}$ | Max. | 0.85 | V |
| $R_D^{(1)}$ | Dynamic resistance | $T_j = 125 \text{ }^\circ\text{C}$ | Max. | 300 | m Ω |
| I_{DRM} I_{RRM} | $V_{OUT} = V_{DRM} = V_{RRM}$ | $T_j = 25 \text{ }^\circ\text{C}$ | Max. | 2 | μA |
| | | $T_j = 125 \text{ }^\circ\text{C}$ | | 0.2 | mA |

1. For both polarities of OUT referenced to COM

Table 5. Thermal resistance

| Symbol | Parameter | | Value | Unit | |
|---------------|-----------------------|----------------------|---------|------|--------------------|
| $R_{th(j-l)}$ | Junction to lead (AC) | TO-92 | Max. | 60 | $^\circ\text{C/W}$ |
| $R_{th(j-t)}$ | Junction to tab (AC) | SOT-223 | Max. | 25 | |
| $R_{th(j-a)}$ | Junction to ambient | TO-92 | Max. | 150 | |
| | | $S = 5 \text{ cm}^2$ | SOT-223 | Max. | |

Figure 2. Maximum power dissipation versus on-state rms current

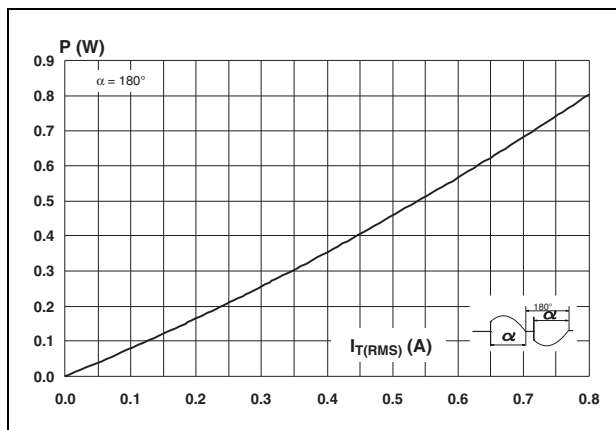


Figure 3. On-state rms current versus case temperature (SOT223)

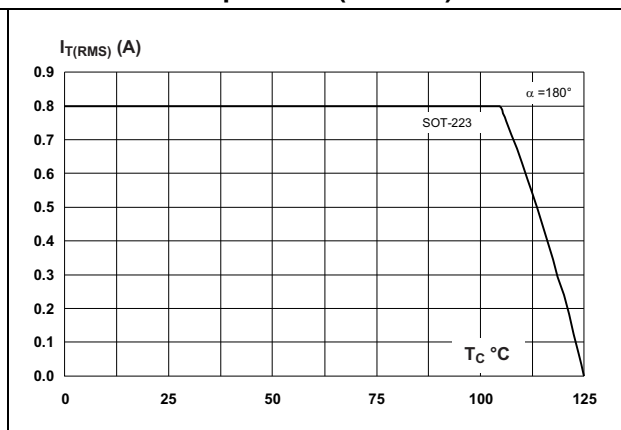


Figure 4. On-state rms current versus ambient temperature (free air convection)

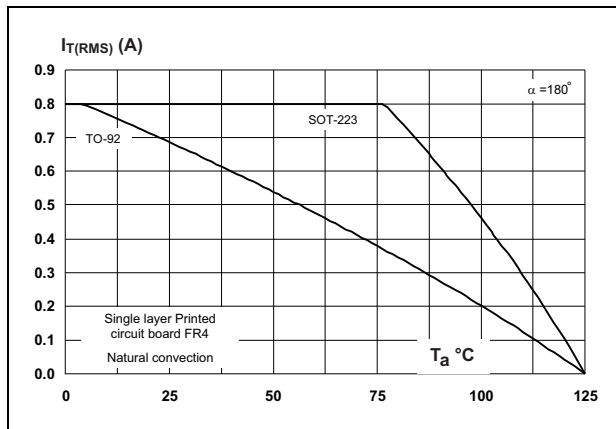


Figure 5. Relative variation of thermal impedance junction to ambient versus pulse duration

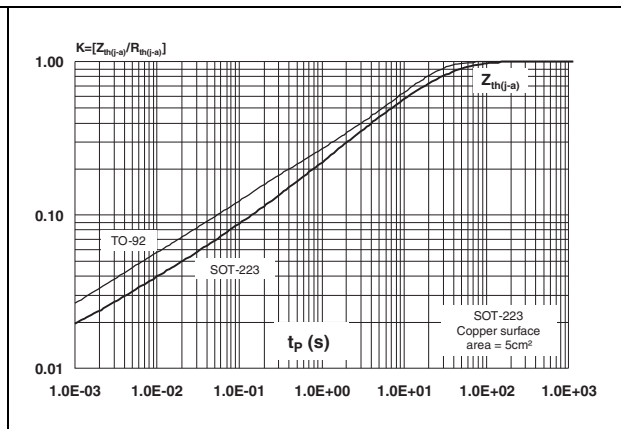


Figure 6. Relative variation of holding and latching current versus junction temperature

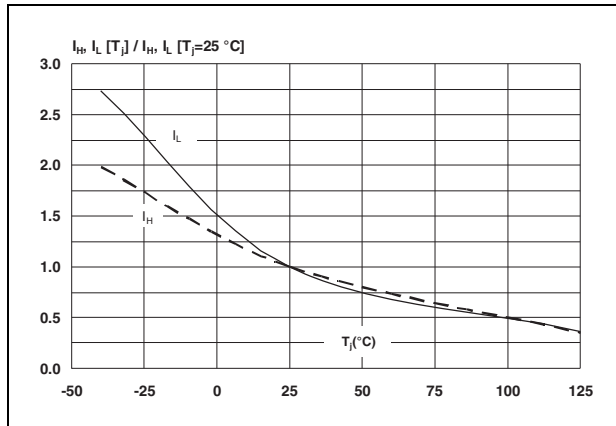


Figure 7. Relative variation of I_{GT} and V_{GT} versus junction temperature

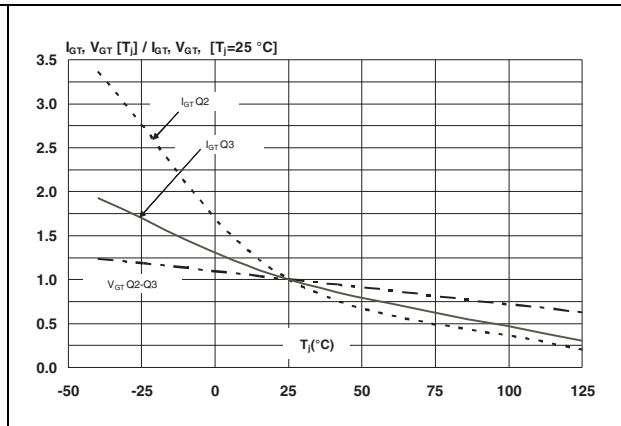


Figure 8. Surge peak on-state current versus number of cycles

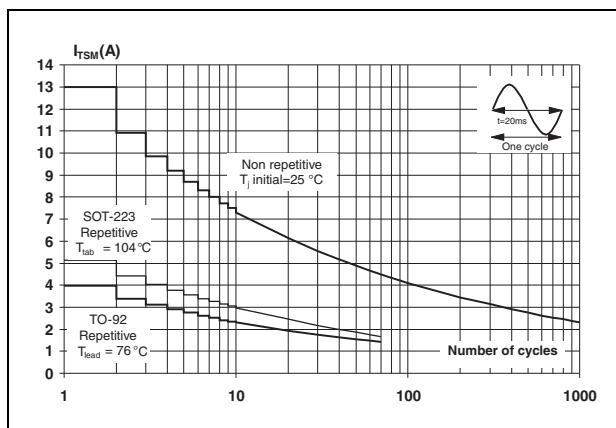


Figure 9. Non repetitive surge peak on-state current for a sinusoidal pulse, and corresponding value of I^2t

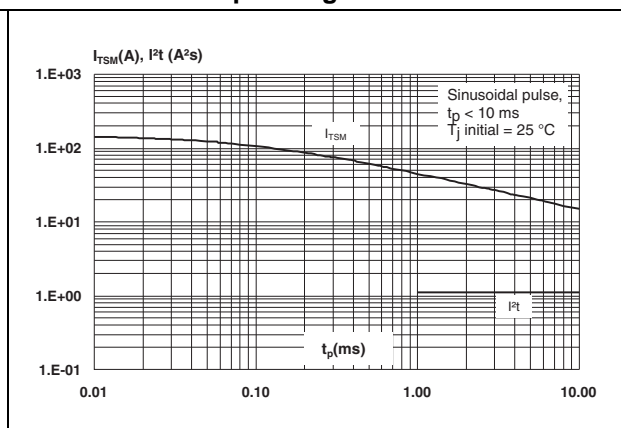


Figure 10. On-state characteristics (maximum values)

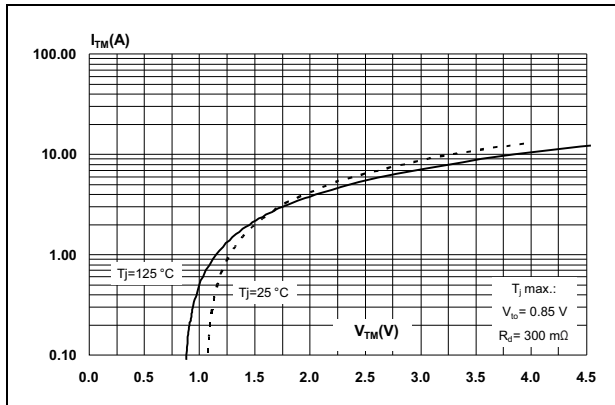


Figure 11. Relative variation of critical rate of decrease of main current versus junction temperature

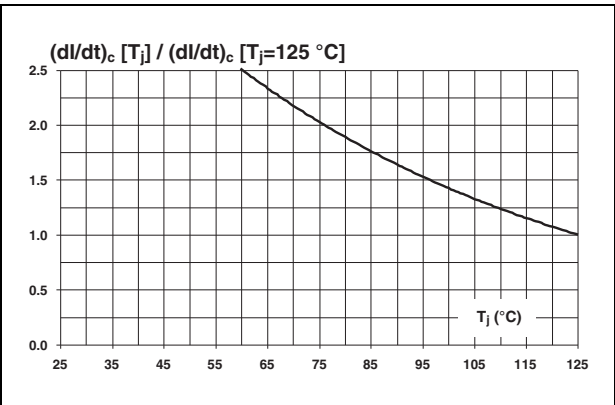


Figure 12. Relative variation of static dV/dt immunity versus junction temperature⁽¹⁾

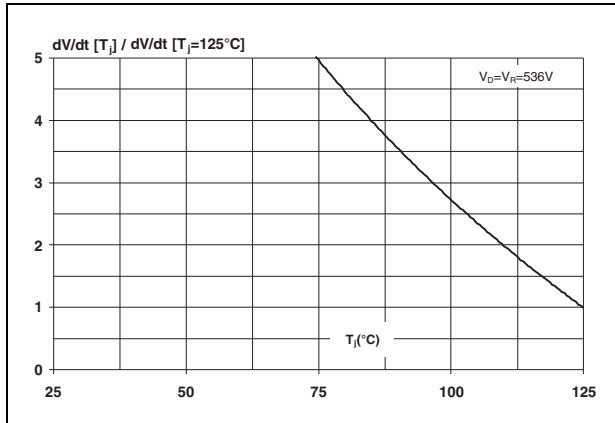
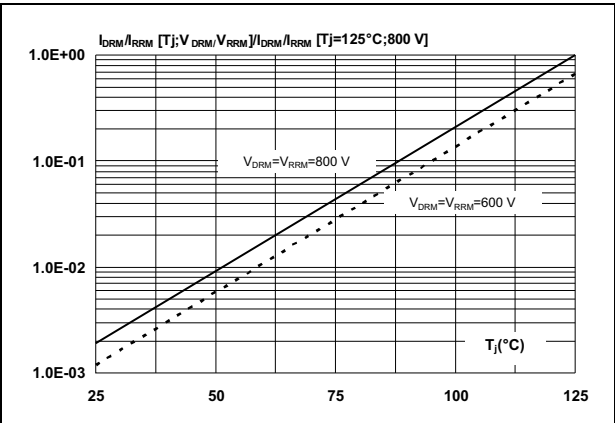


Figure 13. Relative variation of leakage current versus junction temperature



1. $V_D = V_R = 402\text{ V}$: Typical values above $5\text{ kV}/\mu\text{s}$. Beyond equipment capability

Figure 14. Relative variation of critical rate of decrease of main current (di/dt)_c versus (dV/dt)_c

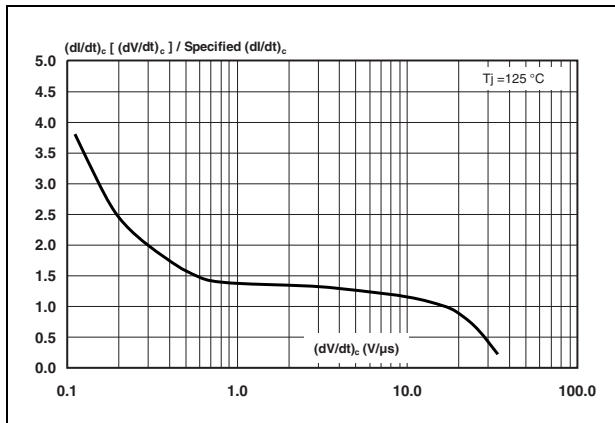
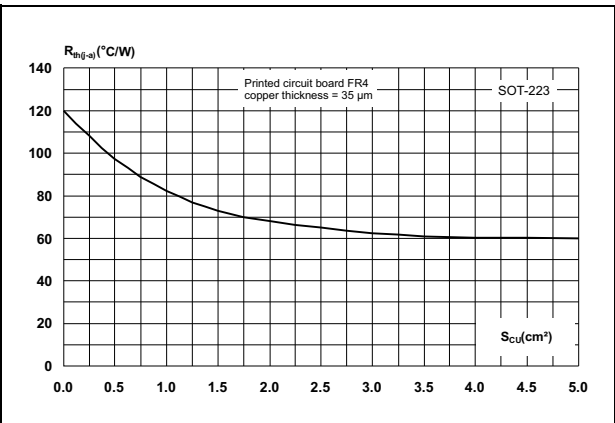


Figure 15. Thermal resistance junction to ambient versus copper surface under tab (SOT-223)

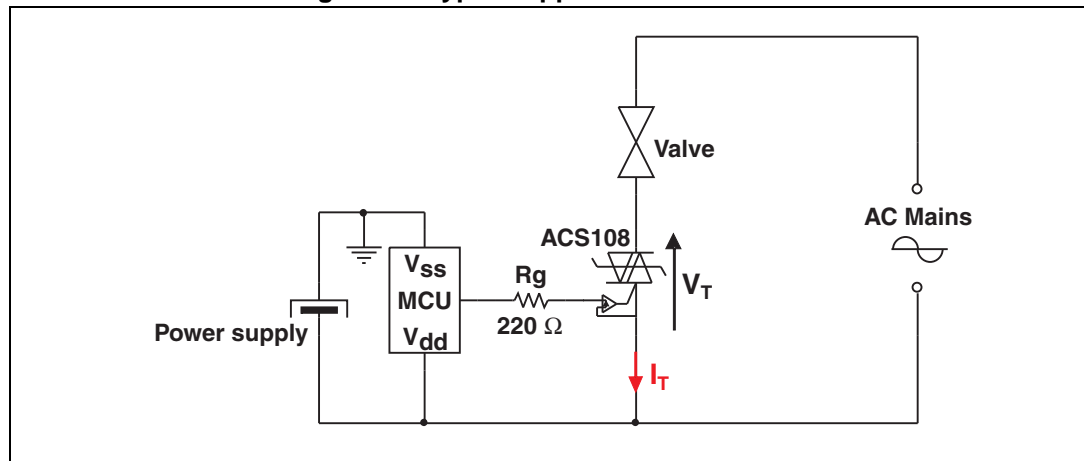


2 Alternating current mains switch - basic application

The ACS108 switch is triggered by a negative gate current flowing from the gate pin G. The switch can be driven directly by the digital controller through a resistor as shown in [Figure 16](#).

Thanks to its overvoltage protection and turn-off commutation performance, the ACS108 switch can drive a small power high inductive load with neither varistor nor additional turn-off snubber.

Figure 16. Typical application schematic



2.1 Protection against overvoltage: the best choice is ACS

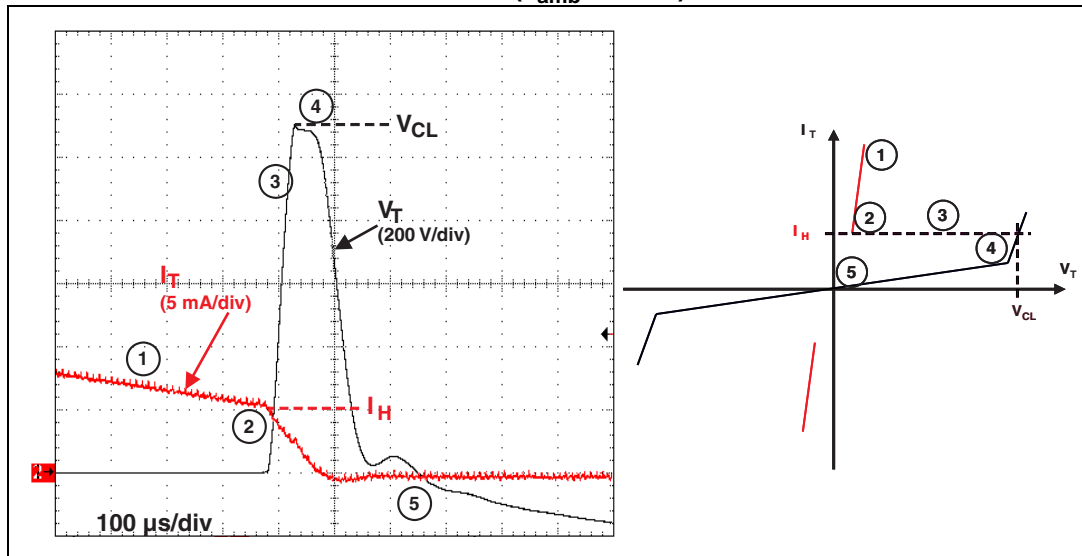
In comparison with standard Triacs the ACS108 is over-voltage self-protected, as specified by the new parameter V_{CL} . This feature is useful in two operating conditions: in case of turn-off of very inductive load, and in case of surge voltage that can occur on the electrical network.

2.1.1 High inductive load switch-off: turn-off overvoltage clamping

With high inductive and low rms current loads the rate of decrease of the current is very low. An overvoltage can occur when the gate current is removed and the OUT current is lower than I_H .

As shown in [Figure 17](#), at the end of the last conduction half-cycle, the load current decreases ①. The load current reaches the holding current level I_H ②, and the ACS turns off ③. The water valve, as an inductive load (up to 15 H), reacts as a current generator and an overvoltage is created, which is clamped by the ACS ④. The current flows through the ACS avalanche and decreases linearly to zero. During this time, the voltage across the switch is limited to the clamping voltage V_{CL} . The energy stored in the inductance of the load is dissipated in the clamping section that is designed for this purpose. When the energy has been dissipated, the ACS voltage falls back to the mains voltage value (230 V rms, 50 Hz) ⑤.

Figure 17. Switching off of a high inductive load - typical clamping capability of ACS108 ($T_{amb} = 25\text{ }^{\circ}\text{C}$)



2.1.2 Alternating current mains transient voltage ruggedness

The ACS108 switch is able to withstand safely the AC mains transients either by clamping the low energy spikes or by breaking-over when subjected to high energy shocks, even with high turn-on current rises.

The test circuit shown in [Figure 18](#) is representative of the final ACS108 application, and is also used to test the AC switch according to the IEC 61000-4-5 standard conditions. Thanks to the load limiting the current, the ACS108 switch withstands the voltage spikes up to 2 kV above the peak mains voltage. The protection is based on an overvoltage crowbar technology. Actually, the ACS108 breaks over safely as shown in [Figure 19](#). The ACS108 recovers its blocking voltage capability after the surge (switch off back at the next zero crossing of the current).

Such non-repetitive tests can be done 10 times on each AC mains voltage polarity.

Figure 18. Overvoltage ruggedness test circuit for resistive and inductive loads, $T_{amb} = 25\text{ }^{\circ}\text{C}$ (conditions equivalent to IEC 61000-4-5 standard)

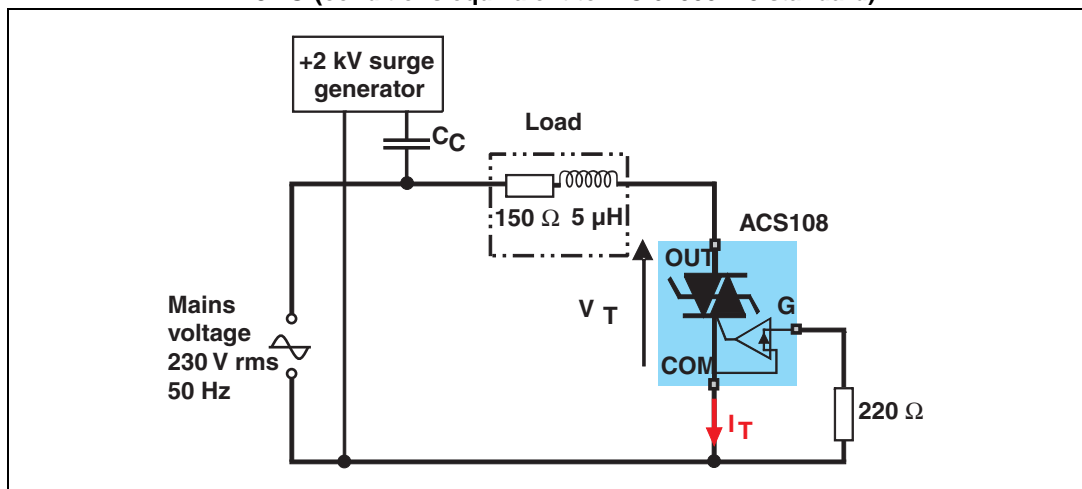
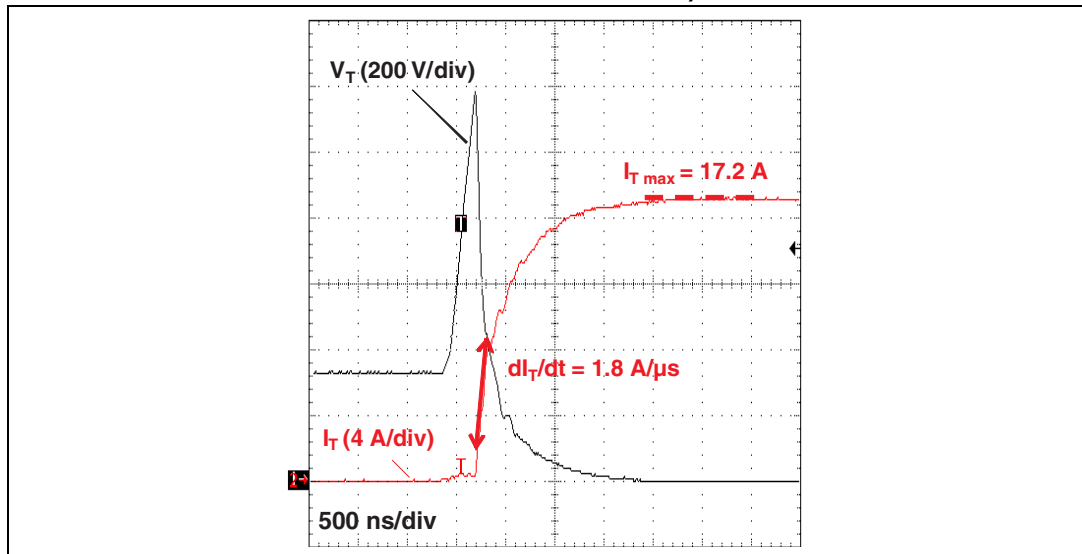


Figure 19. Typical current and voltage waveforms across the ACS108 (+2 kV surge, IEC 61000-4-5 standard)



3 Package information

- Epoxy meets UL94, V0
- Lead-free packages

In order to meet environmental requirements, ST offers these devices in different grades of ECOPACK® packages, depending on their level of environmental compliance. ECOPACK® specifications, grade definitions and product status are available at: www.st.com. ECOPACK® is an ST trademark.

Figure 20. TO-92 dimension definitions

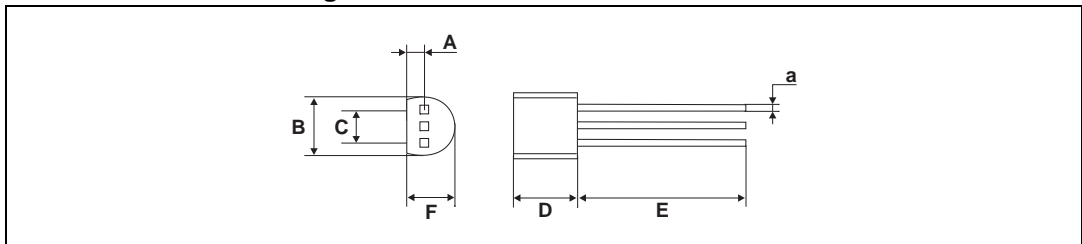


Table 6. TO-92 dimension values

| Ref | Dimensions | | | | | |
|-----|-------------|------|------|--------|-------|-------|
| | Millimeters | | | Inches | | |
| | Min. | Typ. | Max. | Min. | Typ. | Max. |
| A | | 1.35 | | | 0.053 | |
| B | | | 4.70 | | | 0.185 |
| C | | 2.54 | | | 0.100 | |
| D | 4.40 | | | 0.173 | | |
| E | 12.70 | | | 0.500 | | |
| F | | | 3.70 | | | 0.146 |
| a | | | 0.50 | | | 0.019 |

Figure 21. SOT-223 dimension definitions

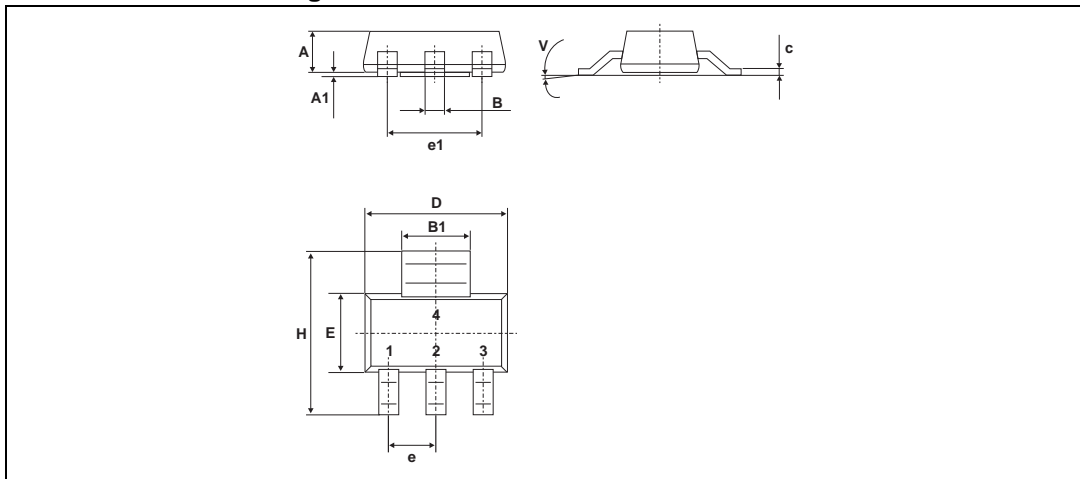
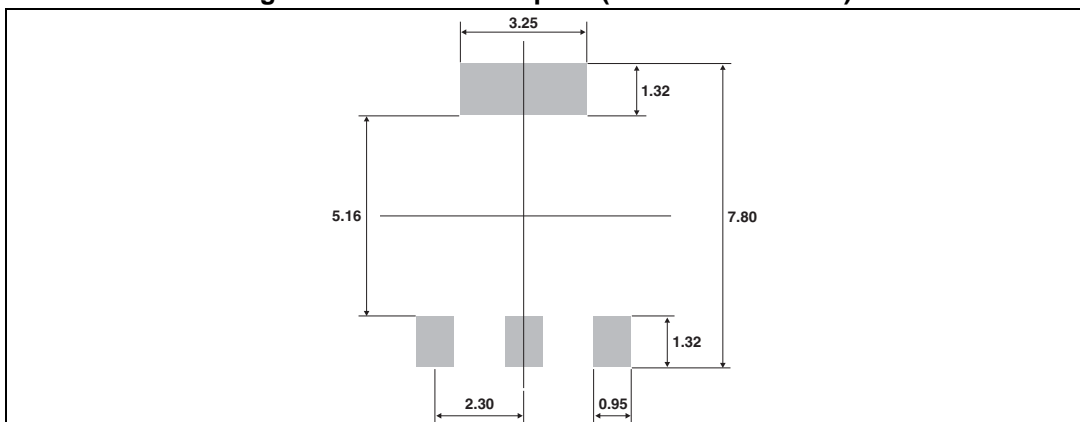


Table 7. SOT-223 dimension values

| Ref. | Dimensions | | | | | |
|------------------|-------------|------|------|--------|-------|-------|
| | Millimeters | | | Inches | | |
| | Min. | Typ. | Max. | Min. | Typ. | Max. |
| A | | | 1.80 | | | 0.071 |
| A1 | | 0.02 | 0.10 | | 0.001 | 0.004 |
| B | 0.60 | 0.70 | 0.85 | 0.024 | 0.027 | 0.033 |
| B1 | 2.90 | 3.00 | 3.15 | 0.114 | 0.118 | 0.124 |
| c | 0.24 | 0.26 | 0.35 | 0.009 | 0.010 | 0.014 |
| D ⁽¹⁾ | 6.30 | 6.50 | 6.70 | 0.248 | 0.256 | 0.264 |
| e | | 2.3 | | | 0.090 | |
| e1 | | 4.6 | | | 0.181 | |
| E ⁽¹⁾ | 3.30 | 3.50 | 3.70 | 0.130 | 0.138 | 0.146 |
| H | 6.70 | 7.00 | 7.30 | 0.264 | 0.276 | 0.287 |
| V | 10° max | | | | | |

1. Do not include mold flash or protrusions. Mold flash or protrusions shall not exceed 0.15mm (0.006inches)

Figure 22. SOT-223 footprint (dimensions in mm)



4 Ordering information

Figure 23. Ordering information scheme

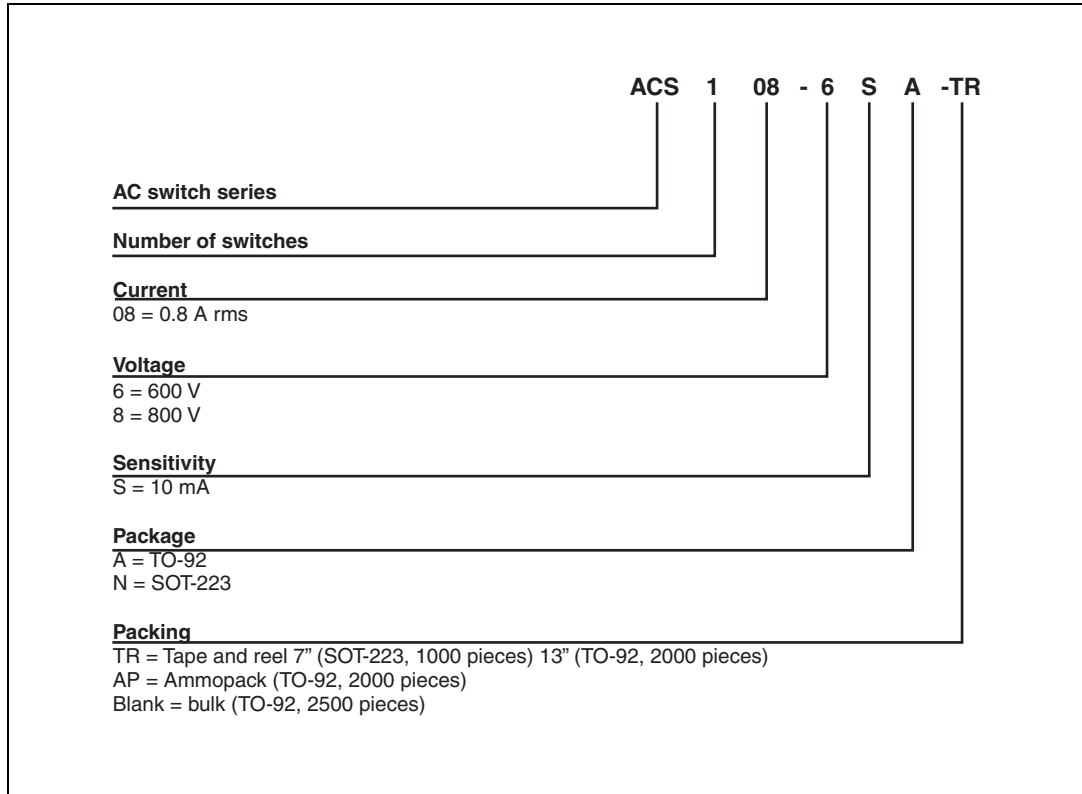


Table 8. Ordering information

| Order code | Marking | Package | Weight | Base Qty | Delivery mode |
|---------------|-------------|---------|--------|----------|---------------|
| ACS108-6SA | ACS1 086SA | TO-92 | 0.2 g | 2500 | Bulk |
| ACS108-6SA-TR | | TO-92 | 0.2 g | 2000 | Tape and reel |
| ACS108-6SA-AP | | TO-92 | 0.2 g | 2000 | Ammopack |
| ACS108-6SN-TR | ACS 108 6SN | SOT-223 | 0.11 g | 1000 | Tape and reel |
| ACS108-8SA | ACS1 088SA | TO-92 | 0.2 g | 2500 | Bulk |
| ACS108-8SA-TR | | TO-92 | 0.2 g | 2000 | Tape and reel |
| ACS108-8SA-AP | | TO-92 | 0.2 g | 2000 | Ammopack |
| ACS108-8SN-TR | ACS 108 8SN | SOT-223 | 0.11 g | 1000 | Tape and reel |

5 Revision history

Table 9. Document revision history

| Date | Revision | Changes |
|-------------|----------|--|
| Apr_2004 | 1 | Initial release. This datasheet covers order codes previously described in the datasheet for ACS108-6S, Doc ID 11962, Rev 3 December 2010. |
| 21-Jun-2005 | 2 | Marking information updated from ACSxxxx to ACS1xxx. |
| 11-Jul-2012 | 3 | Removed 500 V devices and added 600 V and 800 V devices. |
| 27-Sep-2013 | 4 | Corrected typographical error in Figure 4 . |
| 31-Oct-2013 | 5 | Corrected character formatting issues in Section 2.1.1 . |

Please Read Carefully:

Information in this document is provided solely in connection with ST products. STMicroelectronics NV and its subsidiaries ("ST") reserve the right to make changes, corrections, modifications or improvements, to this document, and the products and services described herein at any time, without notice.

All ST products are sold pursuant to ST's terms and conditions of sale.

Purchasers are solely responsible for the choice, selection and use of the ST products and services described herein, and ST assumes no liability whatsoever relating to the choice, selection or use of the ST products and services described herein.

No license, express or implied, by estoppel or otherwise, to any intellectual property rights is granted under this document. If any part of this document refers to any third party products or services it shall not be deemed a license grant by ST for the use of such third party products or services, or any intellectual property contained therein or considered as a warranty covering the use in any manner whatsoever of such third party products or services or any intellectual property contained therein.

UNLESS OTHERWISE SET FORTH IN ST'S TERMS AND CONDITIONS OF SALE ST DISCLAIMS ANY EXPRESS OR IMPLIED WARRANTY WITH RESPECT TO THE USE AND/OR SALE OF ST PRODUCTS INCLUDING WITHOUT LIMITATION IMPLIED WARRANTIES OF MERCHANTABILITY, FITNESS FOR A PARTICULAR PURPOSE (AND THEIR EQUIVALENTS UNDER THE LAWS OF ANY JURISDICTION), OR INFRINGEMENT OF ANY PATENT, COPYRIGHT OR OTHER INTELLECTUAL PROPERTY RIGHT.

ST PRODUCTS ARE NOT DESIGNED OR AUTHORIZED FOR USE IN: (A) SAFETY CRITICAL APPLICATIONS SUCH AS LIFE SUPPORTING, ACTIVE IMPLANTED DEVICES OR SYSTEMS WITH PRODUCT FUNCTIONAL SAFETY REQUIREMENTS; (B) AERONAUTIC APPLICATIONS; (C) AUTOMOTIVE APPLICATIONS OR ENVIRONMENTS, AND/OR (D) AEROSPACE APPLICATIONS OR ENVIRONMENTS. WHERE ST PRODUCTS ARE NOT DESIGNED FOR SUCH USE, THE PURCHASER SHALL USE PRODUCTS AT PURCHASER'S SOLE RISK, EVEN IF ST HAS BEEN INFORMED IN WRITING OF SUCH USAGE, UNLESS A PRODUCT IS EXPRESSLY DESIGNATED BY ST AS BEING INTENDED FOR "AUTOMOTIVE, AUTOMOTIVE SAFETY OR MEDICAL" INDUSTRY DOMAINS ACCORDING TO ST PRODUCT DESIGN SPECIFICATIONS. PRODUCTS FORMALLY ESCC, QML OR JAN QUALIFIED ARE DEEMED SUITABLE FOR USE IN AEROSPACE BY THE CORRESPONDING GOVERNMENTAL AGENCY.

Resale of ST products with provisions different from the statements and/or technical features set forth in this document shall immediately void any warranty granted by ST for the ST product or service described herein and shall not create or extend in any manner whatsoever, any liability of ST.

ST and the ST logo are trademarks or registered trademarks of ST in various countries.

Information in this document supersedes and replaces all information previously supplied.

The ST logo is a registered trademark of STMicroelectronics. All other names are the property of their respective owners.

© 2013 STMicroelectronics - All rights reserved

STMicroelectronics group of companies

Australia - Belgium - Brazil - Canada - China - Czech Republic - Finland - France - Germany - Hong Kong - India - Israel - Italy - Japan - Malaysia - Malta - Morocco - Philippines - Singapore - Spain - Sweden - Switzerland - United Kingdom - United States of America

www.st.com

