

阅读申明

- 1.本站收集的数据手册和产品资料都来自互联网，版权归原作者所有。如读者和版权方有任何异议请及时告之，我们将妥善解决。
- 2.本站提供的中文数据手册是英文数据手册的中文翻译，其目的是协助用户阅读，该译文无法自动跟随原稿更新，同时也可能存在翻译上的不当。建议读者以英文原稿为参考以便获得更精准的信息。
- 3.本站提供的产品资料，来自厂商的技术支持或者使用者的心得体会等，其内容可能存在描述上的差异，建议读者做出适当判断。
- 4.如需与我们联系，请发邮件到marketing@iczoom.com，主题请标有“数据手册”字样。

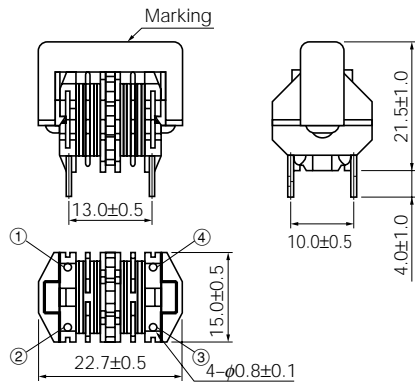
Read Statement

1. The datasheets and other product information on the site are all from network reference or other public materials, and the copyright belongs to the original author and original published source. If readers and copyright owners have any objections, please contact us and we will deal with it in a timely manner.
2. The Chinese datasheets provided on the website is a Chinese translation of the English datasheets. Its purpose is for reader's learning exchange only and do not involve commercial purposes. The translation cannot be automatically updated with the original manuscript, and there may also be improper translations. Readers are advised to use the English manuscript as a reference for more accurate information.
3. All product information provided on the website refer to solutions from manufacturers' technical support or users the contents may have differences in description, and readers are advised to take the original article as the standard.
4. If you have any questions, please contact us at marketing@iczoom.com and mark the subject with "Datasheets" .

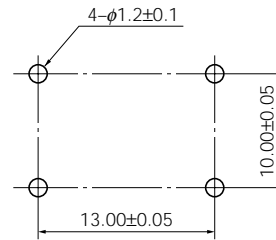
Series N, High N

Type 15N, 17N

Dimensions in mm (not to scale)



Recommended PWB piercing plan



Standard Parts (Series N : 15N)

| Part No. | Marking | Inductance (mH) min. | *R _{DC} (Ω) [at 20 °C] (Tol ±20 %) | Current (A rms) max. |
|------------|---------|----------------------|---|----------------------|
| ELF15N002A | 104 02 | 104.0 | 7.543 | 0.2 |
| ELF15N003A | 433 03 | 43.0 | 3.154 | 0.3 |
| ELF15N004A | 263 04 | 26.0 | 1.966 | 0.4 |
| ELF15N005A | 193 05 | 19.0 | 1.324 | 0.5 |
| ELF15N006A | 123 06 | 12.0 | 0.933 | 0.6 |
| ELF15N007A | 103 07 | 10.0 | 0.762 | 0.7 |
| ELF15N008A | 682 08 | 6.8 | 0.548 | 0.8 |
| ELF15N010A | 532 10 | 5.3 | 0.369 | 1.0 |
| ELF15N011A | 402 11 | 4.0 | 0.308 | 1.1 |
| ELF15N013A | 272 13 | 2.7 | 0.202 | 1.3 |
| ELF15N015A | 212 15 | 2.1 | 0.170 | 1.5 |
| ELF15N017A | 172 17 | 1.7 | 0.126 | 1.7 |
| ELF15N022A | 102 22 | 1.0 | 0.078 | 2.2 |
| ELF15N030A | 601 30 | 0.6 | 0.052 | 3.0 |

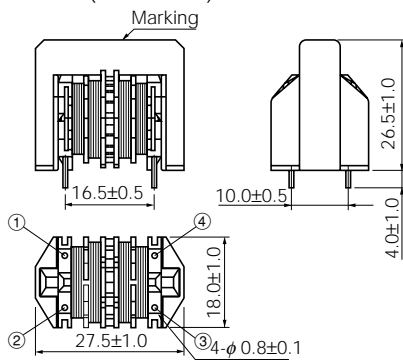
Standard Parts (Series High N : 17N)

| Part No. | Marking | Inductance (mH) min. | *R _{DC} (Ω) [at 20 °C] (Tol ±20 %) | Current (A rms) max. |
|------------|----------|----------------------|---|----------------------|
| ELF17N002A | · 144 02 | 142.0 | 7.543 | 0.2 |
| ELF17N003A | · 603 03 | 60.0 | 3.154 | 0.3 |
| ELF17N004A | · 353 04 | 35.0 | 1.966 | 0.4 |
| ELF17N005A | · 263 05 | 26.0 | 1.324 | 0.5 |
| ELF17N006A | · 163 06 | 16.0 | 0.933 | 0.6 |
| ELF17N007A | · 143 07 | 14.0 | 0.762 | 0.7 |
| ELF17N008A | · 922 08 | 9.2 | 0.548 | 0.8 |
| ELF17N010A | · 722 10 | 7.2 | 0.369 | 1.0 |
| ELF17N011A | · 542 11 | 5.4 | 0.308 | 1.1 |
| ELF17N013A | · 372 13 | 3.7 | 0.202 | 1.3 |
| ELF17N015A | · 292 15 | 2.9 | 0.170 | 1.5 |
| ELF17N017A | · 232 17 | 2.3 | 0.126 | 1.7 |
| ELF17N022A | · 132 22 | 1.3 | 0.078 | 2.2 |
| ELF17N030A | · 801 30 | 0.8 | 0.052 | 3.0 |

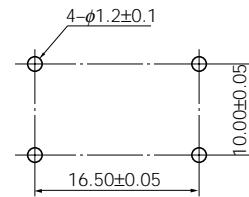
* DC Resistance

Type 18N, 19N

Dimensions in mm (not to scale)



Recommended PWB piercing plan



Standard Parts (Series N : 18N)

| Part No. | Marking | Inductance (mH) min. | *R _{DC} (Ω) [at 20 °C] (Tol ±20 %) | Current (A rms) max. |
|------------|---------|----------------------|---|----------------------|
| ELF18N004A | 803 04 | 80.0 | 2.720 | 0.4 |
| ELF18N005A | 503 05 | 50.0 | 1.680 | 0.5 |
| ELF18N006A | 353 06 | 35.0 | 1.100 | 0.6 |
| ELF18N008A | 203 08 | 20.0 | 0.670 | 0.8 |
| ELF18N010A | 153 10 | 15.0 | 0.465 | 1.0 |
| ELF18N012A | 952 12 | 9.5 | 0.300 | 1.2 |
| ELF18N016A | 602 16 | 6.0 | 0.185 | 1.6 |
| ELF18N020A | 422 20 | 4.2 | 0.130 | 2.0 |
| ELF18N025A | 242 25 | 2.4 | 0.080 | 2.5 |
| ELF18N032A | 142 32 | 1.4 | 0.045 | 3.2 |

Standard Parts (Series High N : 19N)

| Part No. | Marking | Inductance (mH) min. | *R _{DC} (Ω) [at 20 °C] (Tol ±20 %) | Current (A rms) max. |
|------------|----------|----------------------|---|----------------------|
| ELF19N004A | · 993 04 | 99.0 | 2.720 | 0.4 |
| ELF19N005A | · 623 05 | 62.0 | 1.680 | 0.5 |
| ELF19N006A | · 433 06 | 43.0 | 1.100 | 0.6 |
| ELF19N008A | · 253 08 | 25.0 | 0.670 | 0.8 |
| ELF19N010A | · 193 10 | 19.0 | 0.465 | 1.0 |
| ELF19N012A | · 123 12 | 12.0 | 0.300 | 1.2 |
| ELF19N016A | · 742 16 | 7.4 | 0.185 | 1.6 |
| ELF19N020A | · 512 20 | 5.1 | 0.130 | 2.0 |
| ELF19N025A | · 302 25 | 3.0 | 0.080 | 2.5 |
| ELF19N032A | · 172 32 | 1.7 | 0.045 | 3.2 |

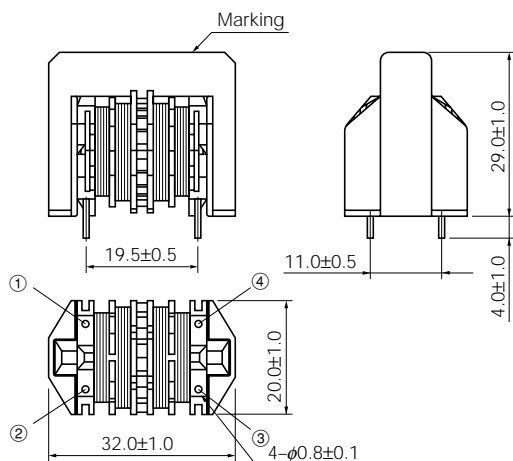
* DC Resistance

Design and specifications are each subject to change without notice. Ask factory for the current technical specifications before purchase and/or use. Should a safety concern arise regarding this product, please be sure to contact us immediately.

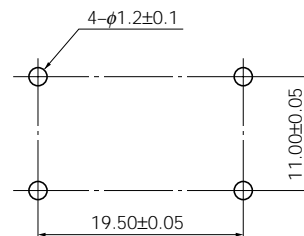
Series N, High N

Type 20N, 21N

Dimensions in mm (not to scale)



Recommended PWB piercing plan



Standard Parts (Series N : 20N)

| Part No. | Marking | Inductance (mH) min. | *R _{DC} (Ω) [at 20 °C] (Tol ±20 %) | Current (A rms) max. |
|------------|---------|----------------------|---|----------------------|
| ELF20N006A | 693 06 | 69.0 | 1.250 | 0.6 |
| ELF20N008A | 433 08 | 43.0 | 0.770 | 0.8 |
| ELF20N010A | 283 10 | 28.0 | 0.500 | 1.0 |
| ELF20N013A | 183 13 | 18.0 | 0.317 | 1.3 |
| ELF20N015A | 143 15 | 14.0 | 0.240 | 1.5 |
| ELF20N016A | 123 16 | 12.0 | 0.212 | 1.6 |
| ELF20N018A | 752 18 | 7.5 | 0.160 | 1.8 |
| ELF20N020A | 702 20 | 7.0 | 0.134 | 2.0 |
| ELF20N022A | 622 22 | 6.2 | 0.111 | 2.2 |
| ELF20N024A | 492 24 | 4.9 | 0.094 | 2.4 |
| ELF20N027A | 472 27 | 4.7 | 0.082 | 2.7 |
| ELF20N030A | 292 30 | 2.9 | 0.056 | 3.0 |
| ELF20N035A | 202 35 | 2.0 | 0.044 | 3.5 |
| ELF20N040A | 152 40 | 1.5 | 0.033 | 4.0 |

Standard Parts (Series High N : 21N)

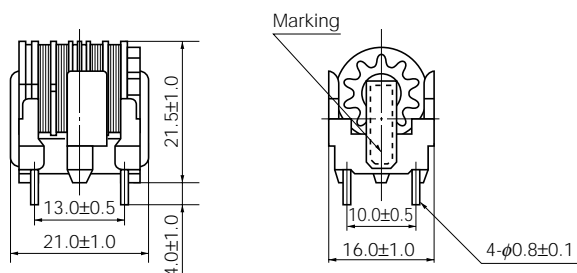
| Part No. | Marking | Inductance (mH) min. | *R _{DC} (Ω) [at 20 °C] (Tol ±20 %) | Current (A rms) max. |
|------------|----------|----------------------|---|----------------------|
| ELF21N006A | · 873 06 | 87.0 | 1.250 | 0.6 |
| ELF21N008A | · 543 08 | 54.0 | 0.770 | 0.8 |
| ELF21N010A | · 363 10 | 36.0 | 0.500 | 1.0 |
| ELF21N013A | · 223 13 | 22.0 | 0.317 | 1.3 |
| ELF21N015A | · 183 15 | 18.0 | 0.240 | 1.5 |
| ELF21N016A | · 153 16 | 15.0 | 0.212 | 1.6 |
| ELF21N018A | · 942 18 | 9.4 | 0.160 | 1.8 |
| ELF21N020A | · 872 20 | 8.7 | 0.134 | 2.0 |
| ELF21N022A | · 782 22 | 7.8 | 0.111 | 2.2 |
| ELF21N024A | · 612 24 | 6.1 | 0.094 | 2.4 |
| ELF21N027A | · 582 27 | 5.8 | 0.082 | 2.7 |
| ELF21N030A | · 372 30 | 3.7 | 0.056 | 3.0 |
| ELF21N035A | · 252 35 | 2.5 | 0.044 | 3.5 |
| ELF21N040A | · 192 40 | 1.9 | 0.033 | 4.0 |

* DC Resistance

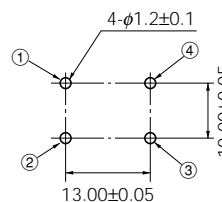
Series V

Type 290

Dimensions in mm (not to scale)



Recommended PWB piercing plan



Standard Parts

| Part No. | Marking | Inductance (mH) min. | *R _{DC} (Ω) [at 20 °C] (Tol ±20 %) | Current (A rms) max. | Part No. | Marking | Inductance (mH) min. | *R _{DC} (Ω) [at 20 °C] (Tol ±20 %) | Current (A rms) max. |
|------------|---------|----------------------|---|----------------------|------------|---------|----------------------|---|----------------------|
| ELF18D290H | 290H | 33.00 | 2.691 | 0.3 | ELF18D290R | 290R | 3.90 | 0.305 | 1.0 |
| ELF18D290C | 290C | 22.00 | 1.707 | 0.4 | ELF18D290S | 290S | 3.30 | 0.277 | 1.1 |
| ELF18D290A | 290A | 18.00 | 1.271 | 0.5 | ELF18D290E | 290E | 2.70 | 0.248 | 1.1 |
| ELF18D290G | 290G | 10.00 | 0.782 | 0.6 | ELF18D290T | 290T | 2.20 | 0.186 | 1.3 |
| ELF18D290L | 290L | 8.20 | 0.681 | 0.6 | ELF18D290V | 290V | 1.80 | 0.162 | 1.5 |
| ELF18D290P | 290P | 6.80 | 0.571 | 0.7 | ELF18D290D | 290D | 1.20 | 0.119 | 1.6 |
| ELF18D290M | 290M | 5.60 | 0.504 | 0.8 | ELF18D290B | 290B | 0.82 | 0.072 | 2.0 |

* DC Resistance

Design and specifications are each subject to change without notice. Ask factory for the current technical specifications before purchase and/or use. Should a safety concern arise regarding this product, please be sure to contact us immediately.