

## 阅读申明

- 1.本站收集的数据手册和产品资料都来自互联网，版权归原作者所有。如读者和版权方有任何异议请及时告之，我们将妥善解决。
- 2.本站提供的中文数据手册是英文数据手册的中文翻译，其目的是协助用户阅读，该译文无法自动跟随原稿更新，同时也可能存在翻译上的不当。建议读者以英文原稿为参考以便获得更精准的信息。
- 3.本站提供的产品资料，来自厂商的技术支持或者使用者的心得体会等，其内容可能存在描述上的差异，建议读者做出适当判断。
- 4.如需与我们联系，请发邮件到marketing@iczoom.com，主题请标有“数据手册”字样。

## Read Statement

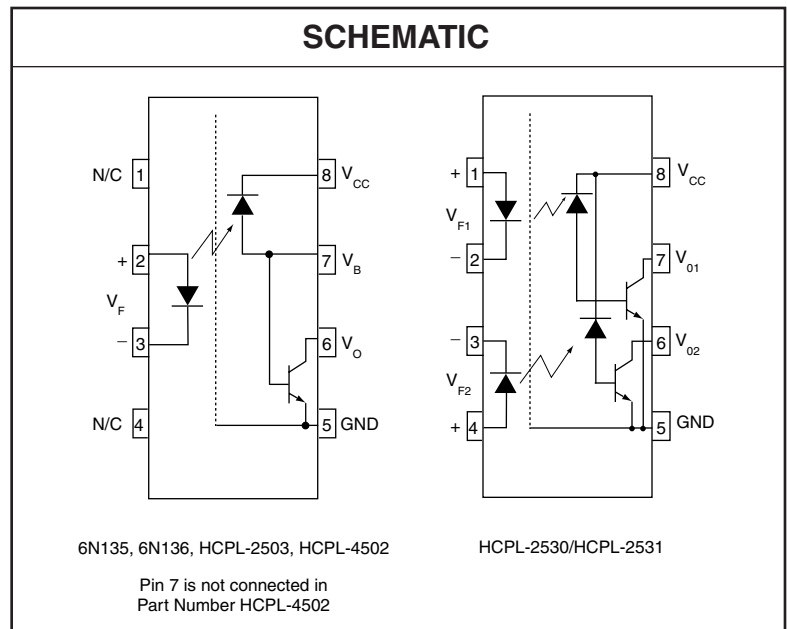
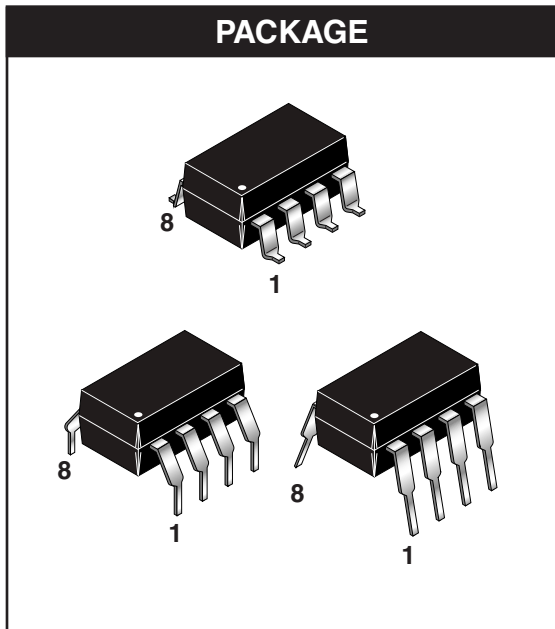
1. The datasheets and other product information on the site are all from network reference or other public materials, and the copyright belongs to the original author and original published source. If readers and copyright owners have any objections, please contact us and we will deal with it in a timely manner.
2. The Chinese datasheets provided on the website is a Chinese translation of the English datasheets. Its purpose is for reader's learning exchange only and do not involve commercial purposes. The translation cannot be automatically updated with the original manuscript, and there may also be improper translations. Readers are advised to use the English manuscript as a reference for more accurate information.
3. All product information provided on the website refer to solutions from manufacturers' technical support or users the contents may have differences in description, and readers are advised to take the original article as the standard.
4. If you have any questions, please contact us at marketing@iczoom.com and mark the subject with "Datasheets" .

**SINGLE-CHANNEL: 6N135**  
**DUAL-CHANNEL: HCPL-2530**

**6N136**  
**HCPL-2531**

**HCPL-2503**

**HCPL-4502**



**DESCRIPTION**

The HCPL-4502/HCPL-2503, 6N135/6 and HCPL-2530/HCPL-2531 optocouplers consist of an AlGaAs LED optically coupled to a high speed photodetector transistor.

A separate connection for the bias of the photodiode improves the speed by several orders of magnitude over conventional phototransistor optocouplers by reducing the base-collector capacitance of the input transistor.

An internal noise shield provides superior common mode rejection of 10kV/μs. An improved package allows superior insulation permitting a 480 V working voltage compared to industry standard of 220 V.

**FEATURES**

- High speed-1 MBit/s
- Superior CMR-10 kV/μs
- Dual-Channel HCPL-2530/HCPL-2531
- Double working voltage-480V RMS
- CTR guaranteed 0-70°C
- U.L. recognized (File # E90700)

**APPLICATIONS**

- Line receivers
- Pulse transformer replacement
- Output interface to CMOS-LSTTL-TTL
- Wide bandwidth analog coupling

**SINGLE-CHANNEL: 6N135**  
**DUAL-CHANNEL: HCPL-2530**

**6N136**  
**HCPL-2531**

**HCPL-2503**

**HCPL-4502**

**ABSOLUTE MAXIMUM RATINGS** ( $T_A = 25^\circ\text{C}$  unless otherwise specified)

Parameter	Symbol	Value	Units
Storage Temperature	$T_{STG}$	-55 to +125	$^\circ\text{C}$
Operating Temperature	$T_{OPR}$	-55 to +100	$^\circ\text{C}$
Lead Solder Temperature	$T_{SOL}$	260 for 10 sec	$^\circ\text{C}$
<b>EMITTER</b>			
DC/Average Forward Input Current	Each Channel (Note 1)	$I_F$ (avg)	25 mA
Peak Forward Input Current (50% duty cycle, 1 ms P.W.)	Each Channel (Note 2)	$I_F$ (pk)	50 mA
Peak Transient Input Current - ( $\leq 1 \mu\text{s}$ P.W., 300 pps)	Each Channel	$I_F$ (trans)	1.0 A
Reverse Input Voltage	Each Channel	$V_R$	5 V
Input Power Dissipation	(6N135/6N136 and HCPL-2503/4502) (HCPL-2530/2531) Each Channel (Note 3)	$P_D$	100 45 mW
<b>DETECTOR</b>			
Average Output Current	Each Channel	$I_O$ (avg)	8 mA
Peak Output Current	Each Channel	$I_O$ (pk)	16 mA
Emitter-Base Reverse Voltage	(6N135, 6N136 and HCPL-2503 only)	$V_{EBR}$	5 V
Supply Voltage		$V_{CC}$	-0.5 to 30 V
Output Voltage		$V_O$	-0.5 to 20 V
Base Current	(6N135, 6N136 and HCPL-2503 only)	$I_B$	5 mA
Output power dissipation	(6N135, 6N136, HCPL-2503, HCPL-4502) (Note 4) (HCPL-2530, HCPL-2531) Each Channel	$P_D$	100 35 mW

**SINGLE-CHANNEL: 6N135**

**6N136**

**HCPL-2503**

**HCPL-4502**

**DUAL-CHANNEL: HCPL-2530**

**HCPL-2531**

**ELECTRICAL CHARACTERISTICS** ( $T_A = 0$  to  $70^\circ\text{C}$  Unless otherwise specified)

**INDIVIDUAL COMPONENT CHARACTERISTICS**

Parameter	Test Conditions	Symbol	Device	Min	Typ**	Max	Unit
<b>EMITTER</b> Input Forward Voltage	( $I_F = 16$ mA, $T_A = 25^\circ\text{C}$ )	$V_F$			1.45	1.7	V
	( $I_F = 16$ mA)				1.8		
Input Reverse Breakdown Voltage	( $I_R = 10$ $\mu\text{A}$ )	$B_{VR}$		5.0			V
Temperature coefficient of forward voltage	( $I_F = 16$ mA)	$(\Delta V_F / \Delta T_A)$			-1.6		mV/ $^\circ\text{C}$
<b>DETECTOR</b> Logic high output current	( $I_F = 0$ mA, $V_O = V_{CC} = 5.5$ V) ( $T_A = 25^\circ\text{C}$ )	$I_{OH}$	All		0.001	0.5	$\mu\text{A}$
	( $I_F = 0$ mA, $V_O = V_{CC} = 15$ V) ( $T_A = 25^\circ\text{C}$ )		6N135 6N136 HCPL-4502 HCPL-2503		0.005	1	
	( $I_F = 0$ mA, $V_O = V_{CC} = 15$ V)		All			50	
Logic low supply current	( $I_F = 16$ mA, $V_O = \text{Open}$ ) ( $V_{CC} = 15$ V)	$I_{CCL}$	6N135 6N136 HCPL-4502 HCPL-2503		120	200	$\mu\text{A}$
	( $I_{F1} = I_{F2} = 16$ mA, $V_O = \text{Open}$ ) ( $V_{CC} = 15$ V)		HCPL-2530 HCPL-2531		200	400	
Logic high supply current	( $I_F = 0$ mA, $V_O = \text{Open}$ , $V_{CC} = 15$ V) ( $T_A = 25^\circ\text{C}$ )	$I_{CCH}$	6N135 6N136 HCPL-4502 HCPL-2503			1	$\mu\text{A}$
	( $I_F = 0$ mA, $V_O = \text{Open}$ ) ( $V_{CC} = 15$ V)		6N135 6N136 HCPL-4502 HCPL-2503			2	
	( $I_F = 0$ mA, $V_O = \text{Open}$ ) ( $V_{CC} = 15$ V)		HCPL-2530 HCPL-2531		0.02	4	

\*\* All Typical at  $T_A = 25^\circ\text{C}$

**SINGLE-CHANNEL: 6N135**

**6N136**

**HCPL-2503**

**HCPL-4502**

**DUAL-CHANNEL: HCPL-2530**

**HCPL-2531**

**TRANSFER CHARACTERISTICS** ( $T_A = 0$  to  $70^\circ\text{C}$  Unless otherwise specified)

Parameter	Test Conditions	Symbol	Device	Min	Typ**	Max	Unit		
COUPLED  Current transfer ratio (Note 5)	$(I_F = 16 \text{ mA}, V_O = 0.4 \text{ V})$ $(V_{CC} = 4.5 \text{ V}, T_A = 25^\circ\text{C})$	CTR	6N135 HCPL-2530	7	18	50	%		
			6N136 HCPL-4502 HCPL-2531	19	27	50	%		
			HCPL-2503	12	27		%		
	$V_{OL}=0.4\text{V}$ $V_{OL}=0.5\text{V}$		6N135 HCPL-2530	5	21		%		
	$(I_F = 16 \text{ mA}, V_{CC} = 4.5 \text{ V})$ $V_{OL}=0.4\text{V}$ $V_{OL}=0.5\text{V}$ $V_{OL}=0.4\text{V}$							6N136 HCPL-4502 HCPL-2531	15
			HCPL-2503	9	30		%		
	Logic low output voltage output voltage		$(I_F = 16 \text{ mA}, I_O = 1.1 \text{ mA})$ $(V_{CC} = 4.5 \text{ V}, T_A = 25^\circ\text{C})$	V <sub>OL</sub>	6N135		0.18	0.4	V
					HCPL-2530		0.18	0.5	
			6N136 HCPL-2503			0.25	0.4		
					HCPL-2531		0.25	0.5	
$(I_F = 16 \text{ mA}, I_O = 0.8 \text{ mA})$ $(V_{CC} = 4.5 \text{ V})$		6N135 HCPL-2530				0.5			
		HCPL-4502 HCPL-2531				0.5			
$(I_F = 16 \text{ mA}, I_O = 2.4 \text{ mA})$ $(V_{CC} = 4.5 \text{ V})$									

\*\* All Typicals at  $T_A = 25^\circ\text{C}$

**SINGLE-CHANNEL: 6N135**

**6N136**

**HCPL-2503**

**HCPL-4502**

**DUAL-CHANNEL: HCPL-2530**

**HCPL-2531**

<b>SWITCHING CHARACTERISTICS</b> ( $T_A = 0$ to $70^\circ\text{C}$ unless otherwise specified., $V_{CC} = 5\text{ V}$ )							
Parameter	Test Conditions	Symbol	Device	Min	Typ**	Max	Unit
Propagation delay time to logic low	$T_A = 25^\circ\text{C}$ , ( $R_L = 4.1\text{ k}\Omega$ , $I_F = 16\text{ mA}$ ) (Note 6) (Fig. 7)	$T_{PHL}$	6N135 HCPL-2530		0.45	1.5	$\mu\text{s}$
	$(R_L = 1.9\text{ k}\Omega$ , $I_F = 16\text{ mA}$ ) (Note 7) (Fig. 7) $T_A = 25^\circ\text{C}$		6N136 HCPL-4502 HCPL-2503 HCPL-2531		0.45	0.8	$\mu\text{s}$
	$(R_L = 4.1\text{ k}\Omega$ , $I_F = 16\text{ mA}$ ) (Note 6) (Fig. 7)		6N135 HCPL-2530			2.0	$\mu\text{s}$
	$(R_L = 1.9\text{ k}\Omega$ , $I_F = 16\text{ mA}$ ) (Note 7) (Fig. 7)		6N136 HCPL-4502 HCPL-2503 HCPL-2531			1.0	$\mu\text{s}$
Propagation delay time to logic high	$T_A = 25^\circ\text{C}$ , ( $R_L = 4.1\text{ k}\Omega$ , $I_F = 16\text{ mA}$ ) (Note 6) (Fig. 7)	$T_{PLH}$	6N135 HCPL-2530		0.5	1.5	$\mu\text{s}$
	$(R_L = 1.9\text{ k}\Omega$ , $I_F = 16\text{ mA}$ ) (Note 7) (Fig. 7) $T_A = 25^\circ\text{C}$		6N136 HCPL-4502 HCPL-2503 HCPL-2531		0.3	0.8	$\mu\text{s}$
	$(R_L = 4.1\text{ k}\Omega$ , $I_F = 16\text{ mA}$ ) (Note 6) (Fig. 7)		6N135 HCPL-2530			2.0	$\mu\text{s}$
	$(R_L = 1.9\text{ k}\Omega$ , $I_F = 16\text{ mA}$ ) (Note 7) (Fig. 7)		6N136 HCPL-4502 HCPL-2503 HCPL-2531			1.0	$\mu\text{s}$
Common mode transient immunity at logic high	$(I_F = 0\text{ mA}$ , $V_{CM} = 10\text{ V}_{P-P}$ , $R_L = 4.1\text{ k}\Omega$ ) (Note 8) (Fig. 8) $T_A = 25^\circ\text{C}$	$ICM_{HI}$	6N135 HCPL-2530		10,000		$\text{V}/\mu\text{s}$
	$(I_F = 0\text{ mA}$ , $V_{CM} = 10\text{ V}_{P-P}$ ) $T_A = 25^\circ\text{C}$ , ( $R_L = 1.9\text{ k}\Omega$ ) (Note 8) (Fig. 8)		6N136 HCPL-4502 HCPL-2503 HCPL-2531		10,000		$\text{V}/\mu\text{s}$
Common mode transient immunity at logic low	$(I_F = 16\text{ mA}$ , $V_{CM} = 10\text{ V}_{P-P}$ , $R_L = 4.1\text{ k}\Omega$ ) (Note 8) (Fig. 8) $T_A = 25^\circ\text{C}$	$ICM_{LI}$	6N135 HCPL-2530		10,000		$\text{V}/\mu\text{s}$
	$(I_F = 16\text{ mA}$ , $V_{CM} = 10\text{ V}_{P-P}$ ) ( $R_L = 1.9\text{ k}\Omega$ ) (Note 8) (Fig. 8)		6N136 HCPL-4502 HCPL-2503 HCPL-2531		10,000		$\text{V}/\mu\text{s}$

\*\* All Typical at  $T_A = 25^\circ\text{C}$

**SINGLE-CHANNEL: 6N135**

**6N136**

**HCPL-2503**

**HCPL-4502**

**DUAL-CHANNEL: HCPL-2530**

**HCPL-2531**

<b>ISOLATION CHARACTERISTICS</b> ( $T_A = 0$ to $70^\circ\text{C}$ Unless otherwise specified)						
<b>Characteristics</b>	<b>Test Conditions</b>	<b>Symbol</b>	<b>Min</b>	<b>Typ**</b>	<b>Max</b>	<b>Unit</b>
Input-output insulation leakage current	(Relative humidity = 45%) ( $T_A = 25^\circ\text{C}$ , $t = 5$ s) ( $V_{I-O} = 3000$ VDC) (Note 9)	$I_{I-O}$			1.0	$\mu\text{A}$
Withstand insulation test voltage	( $\text{RH} \leq 50\%$ , $T_A = 25^\circ\text{C}$ ) (Note 9) ( $t = 1$ min.)	$V_{ISO}$	2500			$V_{RMS}$
Resistance (input to output)	(Note 9) ( $V_{I-O} = 500$ VDC)	$R_{I-O}$		$10^{12}$		$\Omega$
Capacitance (input to output)	(Note 9) ( $f = 1$ MHz)	$C_{I-O}$		0.6		pF
DC Current gain	( $I_O = 3$ mA, $V_O = 5$ V)	HFE		150		
Input-Input Insulation leakage current	( $\text{RH} \leq 45\%$ , $V_{I-I} = 500$ VDC) (Note 10) $t = 5$ s, (HCPL-2530/2531 only)	$I_{I-I}$		0.005		$\mu\text{A}$
Input-Input Resistance	( $V_{I-I} = 500$ VDC) (Note 10) (HCPL-2530/2531 only)	$R_{I-I}$		$10^{11}$		$\Omega$
Input-Input Capacitance	( $f = 1$ MHz) (Note 10) (HCPL-2530/2531 only)	$C_{I-I}$		0.03		pF

**Notes**

1. Derate linearly above  $70^\circ\text{C}$  free-air temperature at a rate of  $0.8$  mA/ $^\circ\text{C}$ .
2. Derate linearly above  $70^\circ\text{C}$  free-air temperature at a rate of  $1.6$  mA/ $^\circ\text{C}$ .
3. Derate linearly above  $70^\circ\text{C}$  free-air temperature at a rate of  $0.9$  mW/ $^\circ\text{C}$ .
4. Derate linearly above  $70^\circ\text{C}$  free-air temperature at a rate of  $2.0$  mW/ $^\circ\text{C}$ .
5. Current Transfer Ratio is defined as a ratio of output collector current,  $I_O$ , to the forward LED input current,  $I_F$ , times 100%.
6. The  $4.1$  k $\Omega$  load represents 1 LSTTL unit load of  $0.36$  mA and  $6.1$  k $\Omega$  pull-up resistor.
7. The  $1.9$  k $\Omega$  load represents 1 TTL unit load of  $1.6$  mA and  $5.6$  k $\Omega$  pull-up resistor.
8. Common mode transient immunity in logic high level is the maximum tolerable (positive)  $dV_{cm}/dt$  on the leading edge of the common mode pulse signal  $V_{CM}$ , to assure that the output will remain in a logic high state (i.e.,  $V_O > 2.0$  V). Common mode transient immunity in logic low level is the maximum tolerable (negative)  $dV_{cm}/dt$  on the trailing edge of the common mode pulse signal,  $V_{CM}$ , to assure that the output will remain in a logic low state (i.e.,  $V_O < 0.8$  V).
9. Device is considered a two terminal device: Pins 1, 2, 3 and 4 are shorted together and Pins 5, 6, 7 and 8 are shorted together.
10. Measured between pins 1 and 2 shorted together, and pins 3 and 4 shorted together.

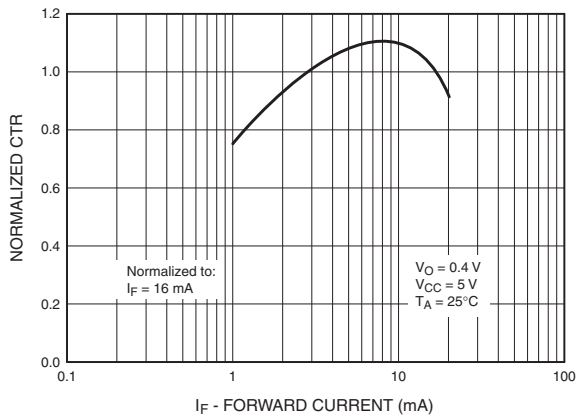
**SINGLE-CHANNEL: 6N135**  
**DUAL-CHANNEL: HCPL-2530**

**6N136**  
**HCPL-2531**

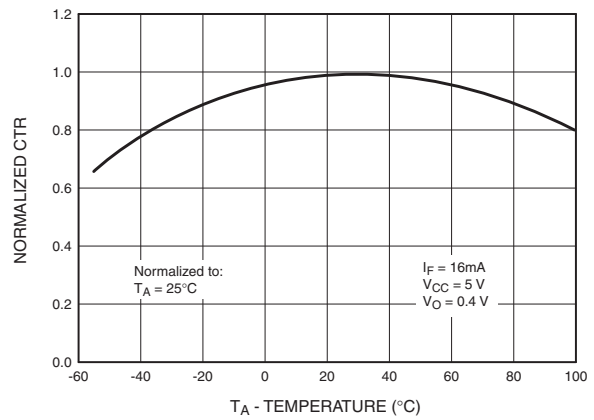
**HCPL-2503**

**HCPL-4502**

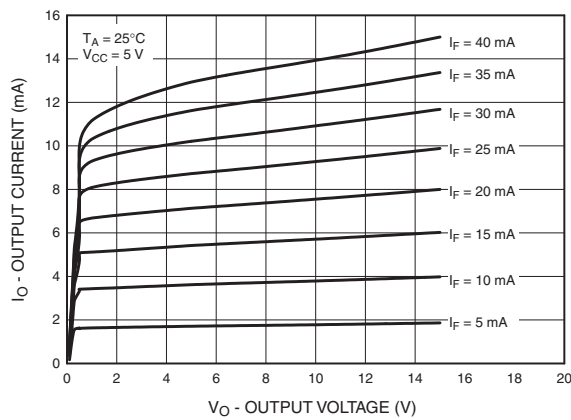
**Fig. 1 Normalized CTR vs. Forward Current**



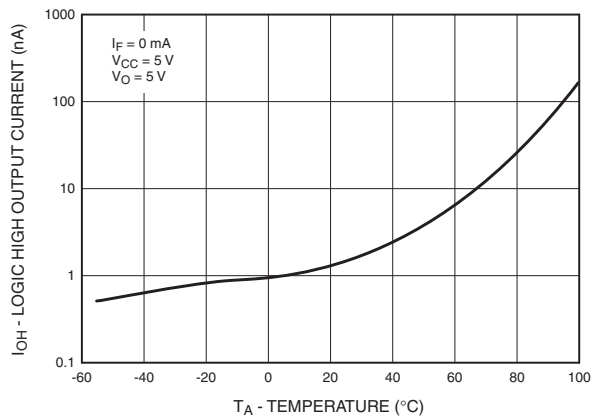
**Fig. 2 Normalized CTR vs. Temperature**



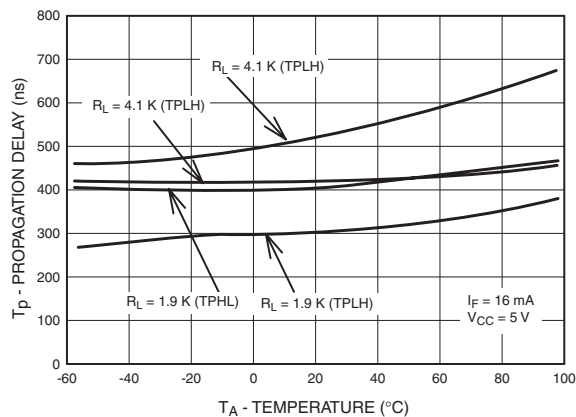
**Fig. 3 Output Current vs. Output Voltage**



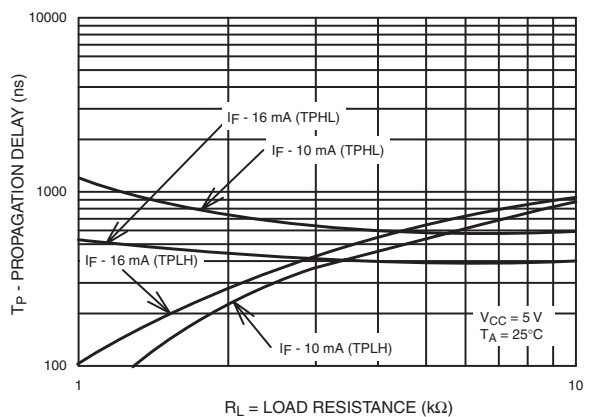
**Fig. 4 Logic High Output Current vs. Temperature**



**Fig. 5 Propagation Delay vs. Temperature**



**Fig. 6 Propagation Delay vs. Load Resistance**



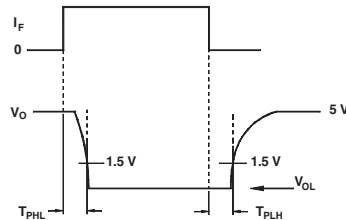
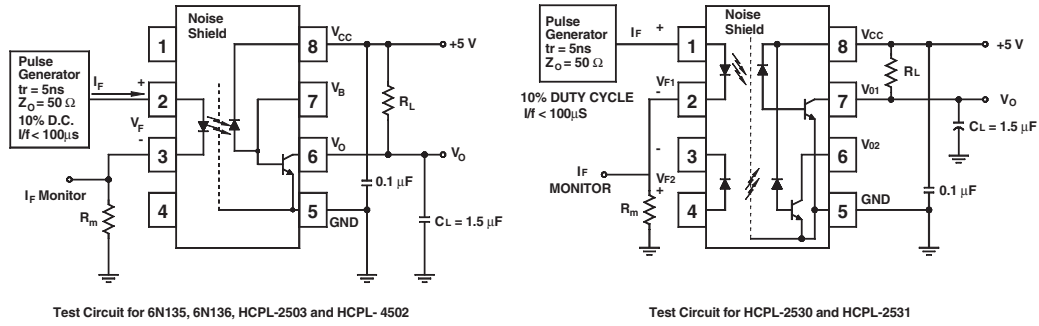


SINGLE-CHANNEL: 6N135  
DUAL-CHANNEL: HCPL-2530

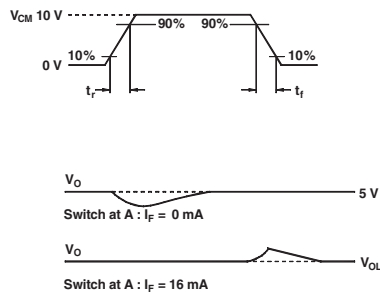
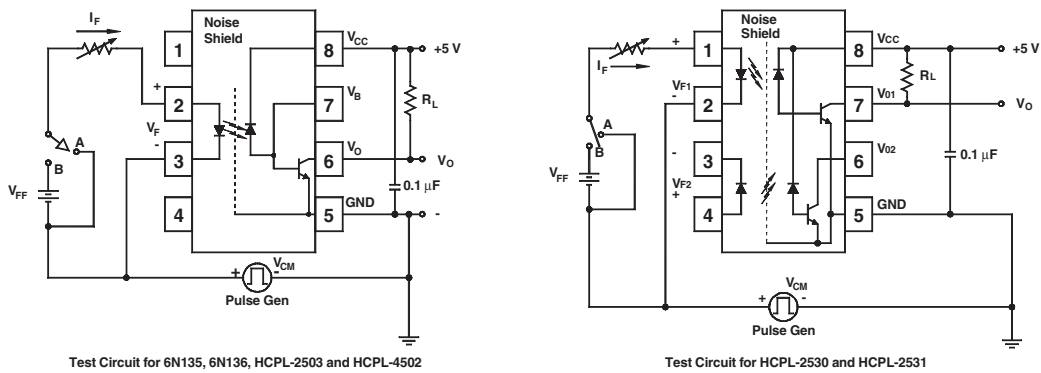
6N136  
HCPL-2531

HCPL-2503

HCPL-4502



**Fig. 7 Switching Time Test Circuit**



**Fig. 8 Common Mode Immunity Test Circuit**



SINGLE-CHANNEL: 6N135  
DUAL-CHANNEL: HCPL-2530

6N136  
HCPL-2531

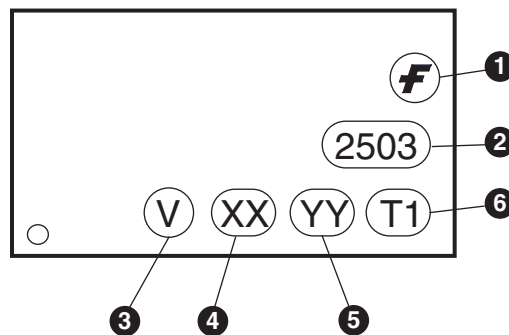
HCPL-2503

HCPL-4502

**ORDERING INFORMATION**

Option	Example Part Number	Description
S	6N135S	Surface Mount Lead Bend
SD	6N135SD	Surface Mount; Tape and reel
T	6N135T	0.4" Lead Spacing
V	6N135V	VDE0884
TV	6N135TV	VDE0884; 0.4" lead spacing
SV	6N135SV	VDE0884; surface mount
SDV	6N135SDV	VDE0884; surface mount; tape and reel

**MARKING INFORMATION**



Definitions	
1	Fairchild logo
2	Device number
3	VDE mark (Note: Only appears on parts ordered with VDE option – See order entry table)
4	Two digit year code, e.g., '03'
5	Two digit work week ranging from '01' to '53'
6	Assembly package code

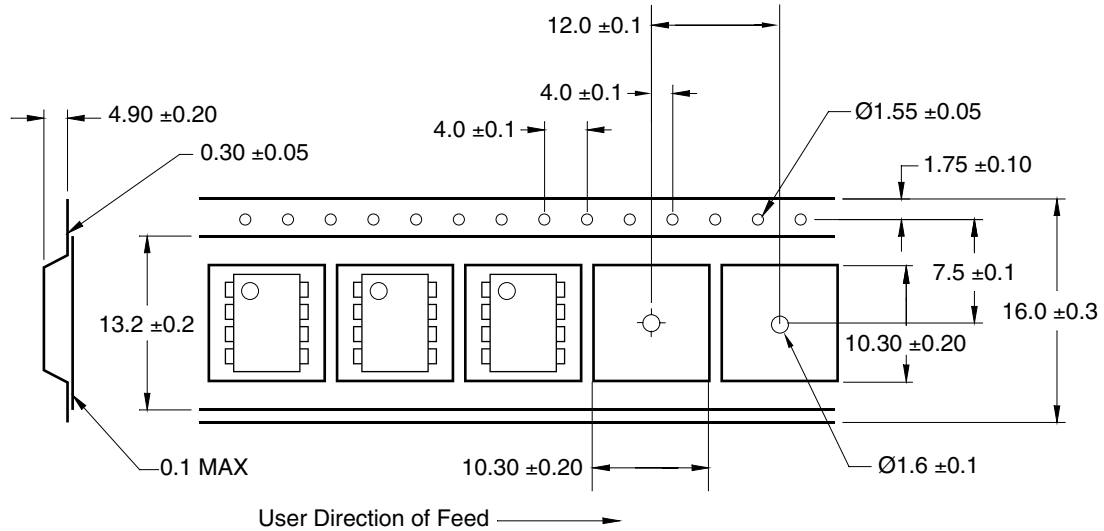
SINGLE-CHANNEL: 6N135  
DUAL-CHANNEL: HCPL-2530

6N136  
HCPL-2531

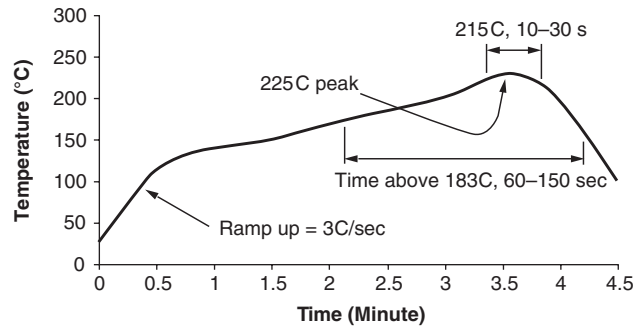
HCPL-2503

HCPL-4502

**Carrier Tape Specifications**



**Reflow Profile**



- Peak reflow temperature: 225C (package surface temperature)
- Time of temperature higher than 183C for 60–150 seconds
- One time soldering reflow is recommended

---

**SINGLE-CHANNEL: 6N135**  
**DUAL-CHANNEL: HCPL-2530**

**6N136**  
**HCPL-2531**

**HCPL-2503**

**HCPL-4502**

---

**DISCLAIMER**

FAIRCHILD SEMICONDUCTOR RESERVES THE RIGHT TO MAKE CHANGES WITHOUT FURTHER NOTICE TO ANY PRODUCTS HEREIN TO IMPROVE RELIABILITY, FUNCTION OR DESIGN. FAIRCHILD DOES NOT ASSUME ANY LIABILITY ARISING OUT OF THE APPLICATION OR USE OF ANY PRODUCT OR CIRCUIT DESCRIBED HEREIN; NEITHER DOES IT CONVEY ANY LICENSE UNDER ITS PATENT RIGHTS, NOR THE RIGHTS OF OTHERS.

**LIFE SUPPORT POLICY**

FAIRCHILD'S PRODUCTS ARE NOT AUTHORIZED FOR USE AS CRITICAL COMPONENTS IN LIFE SUPPORT DEVICES OR SYSTEMS WITHOUT THE EXPRESS WRITTEN APPROVAL OF THE PRESIDENT OF FAIRCHILD SEMICONDUCTOR CORPORATION. As used herein:

1. Life support devices or systems are devices or systems which, (a) are intended for surgical implant into the body, or (b) support or sustain life, and (c) whose failure to perform when properly used in accordance with instructions for use provided in the labeling, can be reasonably expected to result in a significant injury of the user.
2. A critical component in any component of a life support device or system whose failure to perform can be reasonably expected to cause the failure of the life support device or system, or to affect its safety or effectiveness.