

## 阅读申明

- 1.本站收集的数据手册和产品资料都来自互联网，版权归原作者所有。如读者和版权方有任何异议请及时告之，我们将妥善解决。
- 2.本站提供的中文数据手册是英文数据手册的中文翻译，其目的是协助用户阅读，该译文无法自动跟随原稿更新，同时也可能存在翻译上的不当。建议读者以英文原稿为参考以便获得更精准的信息。
- 3.本站提供的产品资料，来自厂商的技术支持或者使用者的心得体会等，其内容可能存在描述上的差异，建议读者做出适当判断。
- 4.如需与我们联系，请发邮件到marketing@iczoom.com，主题请标有“数据手册”字样。

## Read Statement

1. The datasheets and other product information on the site are all from network reference or other public materials, and the copyright belongs to the original author and original published source. If readers and copyright owners have any objections, please contact us and we will deal with it in a timely manner.
2. The Chinese datasheets provided on the website is a Chinese translation of the English datasheets. Its purpose is for reader's learning exchange only and do not involve commercial purposes. The translation cannot be automatically updated with the original manuscript, and there may also be improper translations. Readers are advised to use the English manuscript as a reference for more accurate information.
3. All product information provided on the website refer to solutions from manufacturers' technical support or users the contents may have differences in description, and readers are advised to take the original article as the standard.
4. If you have any questions, please contact us at marketing@iczoom.com and mark the subject with "Datasheets" .

## DESCRIPTION

The CNX48U, H11BX, MOC8080 and TIL113 have a gallium arsenide infrared emitter optically coupled to a silicon planar photodarlington.

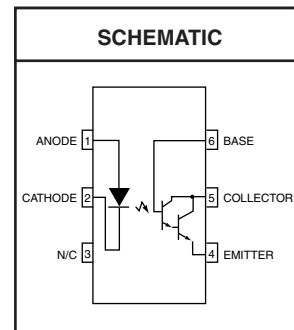
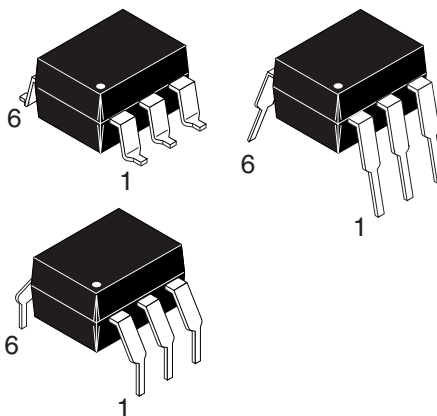
CNX48U	H11B1	H11B2	H11B255	H11B3
MOC8080	TIL113			

## FEATURES

- High sensitivity to low input drive current
- Meets or exceeds all JEDEC Registered Specifications
- VDE 0884 approval available as a test option  
-add option .300. (e.g., H11B1.300)

## APPLICATIONS

- Low power logic circuits
- Telecommunications equipment
- Portable electronics
- Solid state relays
- Interfacing coupling systems of different potentials and impedances.



Parameter	Symbol	Device	Value	Units
<b>TOTAL DEVICE</b>				
Storage Temperature	$T_{STG}$	All	-55 to +150	°C
Operating Temperature	$T_{OPR}$	All	-55 to +100	°C
Lead Solder Temperature	$T_{SOL}$	All	260 for 10 sec	°C
Total Device Power Dissipation @ $T_A = 25^\circ\text{C}$ Derate above $25^\circ\text{C}$	$P_D$	All	250	mW
			3.3	mW/°C
<b>EMITTER</b>				
Continuous Forward Current	$I_F$	All	100	mA
Reverse Voltage	$V_R$	All	6	V
Forward Current - Peak (300 $\mu\text{s}$ , 2% Duty Cycle)	$I_{F(pk)}$	All	3.0	A
LED Power Dissipation @ $T_A = 25^\circ\text{C}$ Derate above $25^\circ\text{C}$	$P_D$	All	100	mW
			1.8	mW/°C
<b>DETECTOR</b>				
Collector-Emitter Breakdown Voltage	$BV_{CEO}$	CNX48U, TIL113	30	V
		H11B1, H11B2 H11B3	25	
		H11B255 MOC8080	55	
Collector-Base Breakdown Voltage	$BV_{CBO}$	CNX48U, H11B1 H11B2, H11B3 TIL113	30	V
		H11B255 MOC8080	55	V
Emitter-Collector Breakdown Voltage	$BV_{ECO}$	All	7	V
Detector Power Dissipation @ $T_A = 25^\circ\text{C}$ Derate above $25^\circ\text{C}$	$P_D$	All	150	mW
			2.0	mW/°C

<b>CNX48U</b>	<b>H11B1</b>	<b>H11B2</b>	<b>H11B255</b>	<b>H11B3</b>
<b>MOC8080</b>	<b>TIL113</b>			

## ELECTRICAL CHARACTERISTICS (T<sub>A</sub> = 25°C Unless otherwise specified.)

### INDIVIDUAL COMPONENT CHARACTERISTICS

Parameter	Test Conditions	Symbol	Device	Min	Typ**	Max	Unit			
EMITTER	(I <sub>F</sub> = 10 mA)	V <sub>F</sub>	H11B1, H11B2	0.8	1.2	1.5	V			
			H11B255							
			MOC8080							
			TIL113							
			CNX48U							
Input Forward Voltage	(I <sub>F</sub> = 10 mA)	V <sub>F</sub>	CNX48U		1.2	1.3	V			
	(I <sub>F</sub> = 10 mA, T <sub>A</sub> = -55°C)		MOC8080	0.9	1.3	1.7				
	(I <sub>F</sub> = 10 mA, T <sub>A</sub> = 100°C)		MOC8080	0.7	1.05	1.4				
	(I <sub>F</sub> = 50 mA)		H11B3		1.35	1.5				
Reverse Leakage Current	(V <sub>R</sub> = 6 V)	I <sub>R</sub>	All		0.001	10	μA			
Capacitance	(V <sub>F</sub> = 0 V, f = 1.0 MHz)	C	All		50		pF			
DETECTOR	(I <sub>C</sub> = 1 mA, I <sub>F</sub> = 0)	BV <sub>CEO</sub>	CNX48U	30	60		V			
	(I <sub>C</sub> = 100 μA, I <sub>F</sub> = 0)		TIL113							
	(I <sub>C</sub> = 10 mA, I <sub>F</sub> = 0)		H11B1, H11B2					25	60	
	(I <sub>C</sub> = 100 μA, I <sub>F</sub> = 0)		H11B3							
	(I <sub>C</sub> = 1 mA, I <sub>F</sub> = 0)		H11B255							
	MOC8080									
Collector-Base Breakdown Voltage	(I <sub>C</sub> = 100 μA, I <sub>E</sub> = 0)	BV <sub>CBO</sub>	CNX48U, H11B1	30	100		V			
	(I <sub>C</sub> = 100 μA, I <sub>F</sub> = 0)		H11B2, H11B3							
Collector-Base Breakdown Voltage	(I <sub>C</sub> = 100 μA, I <sub>E</sub> = 0)	BV <sub>CBO</sub>	TIL113	55	100		V			
	(I <sub>C</sub> = 100 μA, I <sub>F</sub> = 0)		H11B255							
			MOC8080							
Emitter-Collector Breakdown Voltage	(I <sub>E</sub> = 100 μA, I <sub>B</sub> = 0)	BV <sub>ECO</sub>	All	7	10		V			
Collector-Emitter Dark Current	(V <sub>CE</sub> = 10 V, Base Open)	I <sub>CEO</sub>	All		1	100	nA			

Note

\*\* Typical values at T<sub>A</sub> = 25°C

<b>CNX48U</b>	<b>H11B1</b>	<b>H11B2</b>	<b>H11B255</b>	<b>H11B3</b>
<b>MOC8080</b>	<b>TIL113</b>			

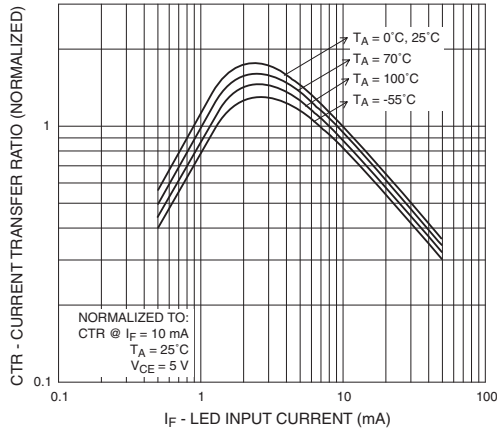
<b>TRANSFER CHARACTERISTICS</b> ( $T_A = 25^\circ\text{C}$ Unless otherwise specified.)								
DC Characteristics	Test Conditions	Symbol	Device	Min	Typ**	Max	Units	
Collector Output Current <sup>(1)</sup>	$(I_F = 10\text{ mA}, V_{CE} = 5\text{ V})$	$I_C$ (CTR)	MOC8080	50 (500)			mA (%)	
			H11B255	10 (100)				
	$(I_F = 10\text{ mA}, V_{CE} = 1\text{ V})$		CNX48U	60 (600)				
			TIL113	30 (300)				
	$(I_F = 1\text{ mA}, V_{CE} = 5\text{ V})$		H11B1	5 (500)				
			H11B2	2 (200)				
	$(I_F = 1\text{ mA}, V_{CE} = 1\text{ V})$		CNX48U	5 (500)				
$(I_F = 0.5\text{ mA}, V_{CE} = 1\text{ V})$	1.75 (350)							
Saturation Voltage	$(I_F = 1\text{ mA}, I_C = 1\text{ mA})$	$V_{CE(sat)}$	H11B1, H11B2 H11B3, MOC8080			1.0	V	
	$(I_F = 5\text{ mA}, I_C = 10\text{ mA})$		CNX48U			1.0		
	$(I_F = 50\text{ mA}, I_C = 50\text{ mA})$		H11B255			1.0		
	$(I_F = 8\text{ mA}, I_C = 2\text{ mA})$		TIL113			1.25		
AC Characteristics	$(I_C = 10\text{ mA}, V_{CE} = 10\text{ V})$ $(R_L = 100\ \Omega)$ (Fig.7)	$t_{on}$	H11B1 H11B2		25		$\mu\text{s}$	
		$t_{off}$	H11B255 H11B3		18			
	$(I_F = 10\text{ mA}, V_{CC} = 5\text{ V})$ $(R_E = 100\ \Omega), (R_{BE} = 1\text{M}\Omega)$ (Fig. 8)	$t_{on}$	CNX48U			3.5		
		$t_{off}$				36		
	$(I_F = 1\text{ mA}, V_{CC} = 5\text{ V})$ $(R_E = 1\text{k}\Omega), (R_{BE} = 10\text{M}\Omega)$ (Fig. 8)	$t_{on}$				70		
		$t_{off}$				190		
	$(I_F = 5\text{ mA}, V_{CC} = 10\text{ V})$ $(R_L = 100\ \Omega)$ (Fig.7)	$t_{on}$	MOC8080			3.5		
		$t_{off}$				25		
	$(I_F = 200\text{ mA}, I_C = 50\text{ mA})$ $(V_{CC} = 10\text{ V}) (R_L = 100\ \Omega)$ (Fig.7)	$t_{on}$	TIL113			0.35		5
		$t_{off}$				55		100

<b>ISOLATION CHARACTERISTICS</b>							
Characteristic	Test Conditions	Symbol	Min	Typ**	Max	Units	
Input-Output Isolation Voltage <sup>(2)</sup>	$(I_{I-O} \leq 1\ \mu\text{A}, V_{rms}, t = 1\text{ min.})$		5300			Vac(rms)	
Isolation Resistance <sup>(2)</sup>	$(V_{I-O} = 500\text{ VDC})$	$R_{ISO}$		$10^{11}$		$\Omega$	
Isolation Capacitance <sup>(2)</sup>	$(V_{I-O} = \emptyset, f = 1\text{ MHz})$	$C_{ISO}$		0.8		pf	

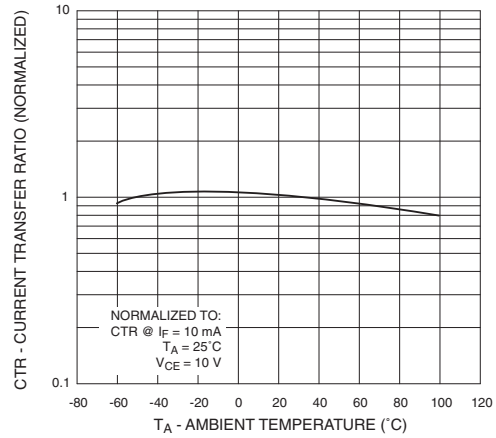
Note  
 \*\* Typical values at  $T_A = 25^\circ\text{C}$

**CNX48U H11B1 H11B2 H11B255 H11B3  
MOC8080 TIL113**

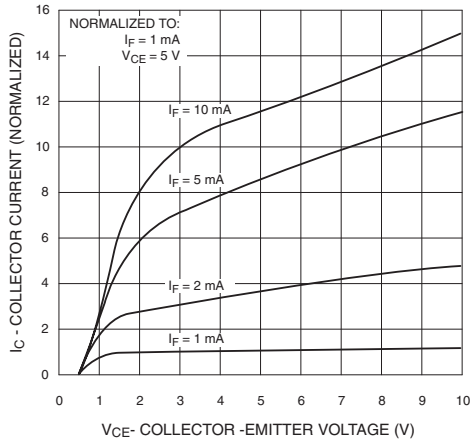
**Fig. 1 Output Current vs. Input Current**



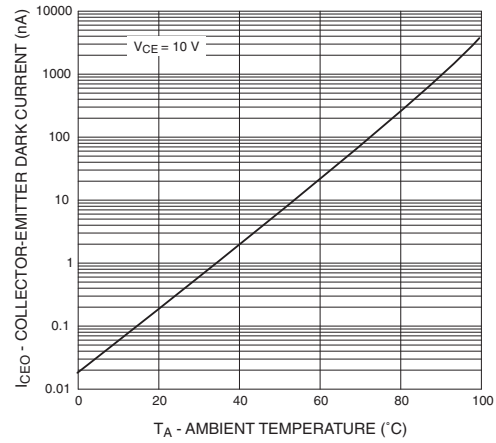
**Fig. 2 Current Transfer Ratio vs. Ambient Temperature**



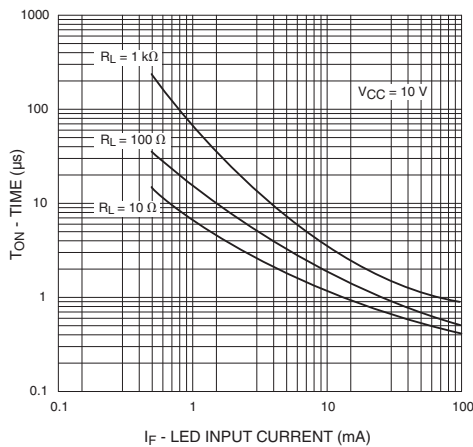
**Fig. 3 Collector Current vs. Collector-Emitter Voltage**



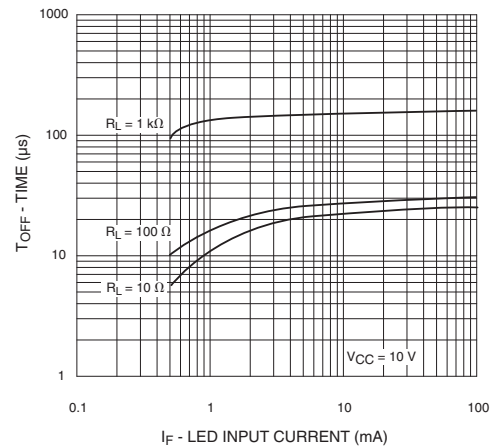
**Fig. 4 Dark Current vs. Ambient Temperature**



**Fig. 5 Turn-On Time vs. Input Current**



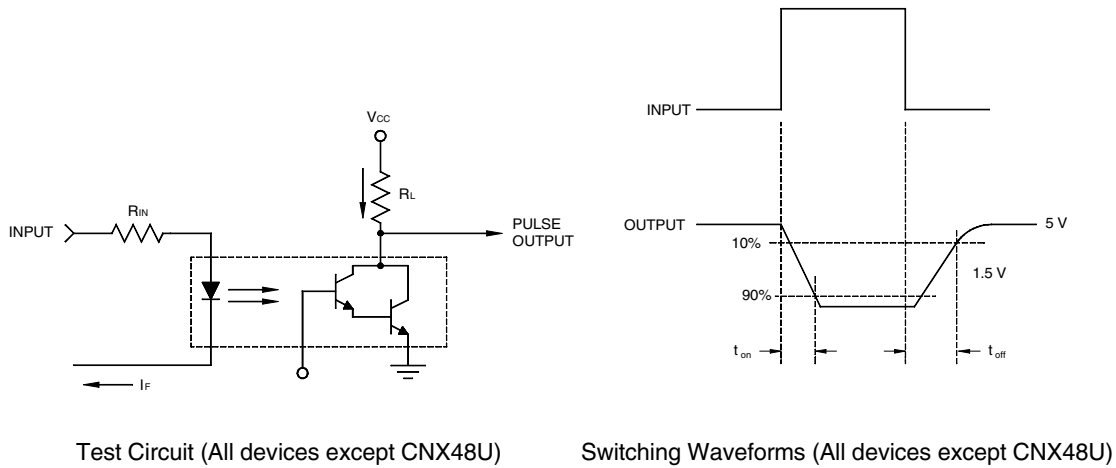
**Fig. 6 Turn-Off Time vs. Input Current**



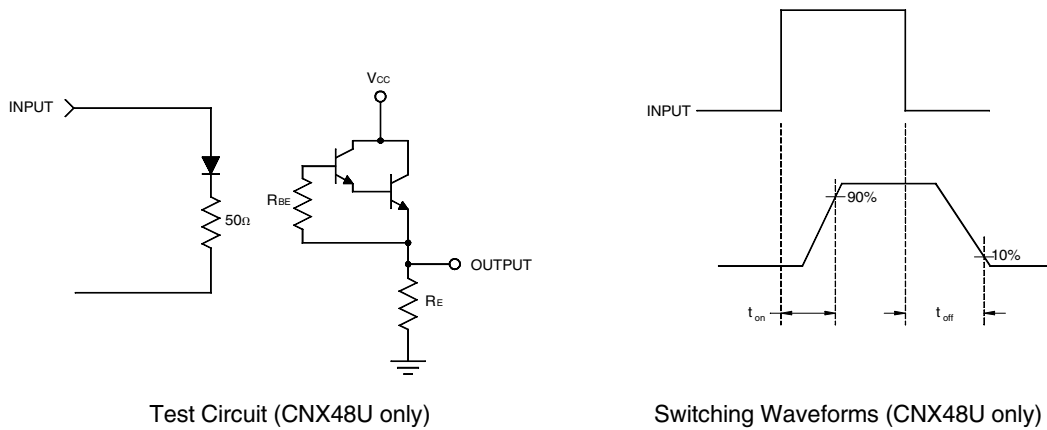
CNX48U H11B1 H11B2 H11B255 H11B3  
MOC8080 TIL113

**TYPICAL ELECTRO-OPTICAL CHARACTERISTIC CURVES**

(25°C Free air temperature unless otherwise specified) (Cont.)



**Fig. 7 Switching Time Test Circuit and Waveforms (All devices except CNX48U)**



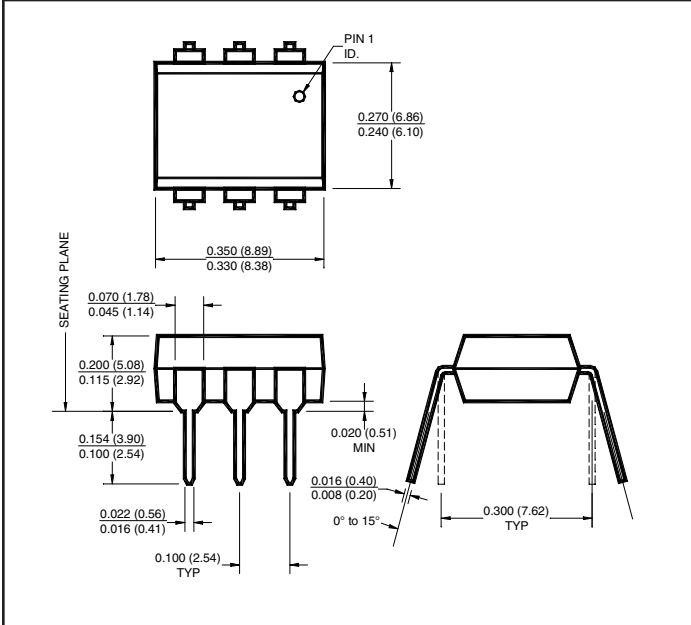
**Fig. 8 Switching Time Test Circuit and Waveforms (CNX48U only)**

**Notes**

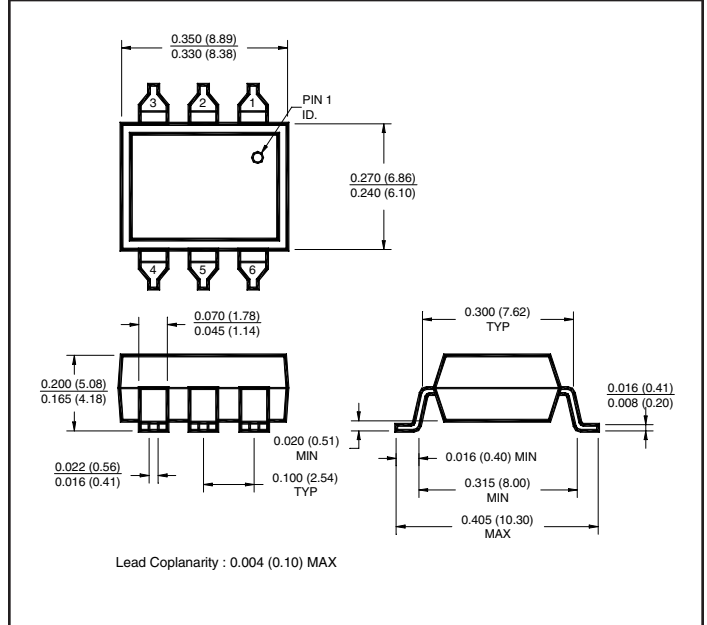
1. The current transfer ratio( $I_C/I_F$ ) is the ratio of the detector collector current to the LED input current with  $V_{CE} @ 10 V$ .
2. For this test, LED pins 1 and 2 are common and phototransistor pins 4,5 and 6 are common.

CNX48U H11B1 H11B2 H11B25 H11B3  
MOC8080 TIL113

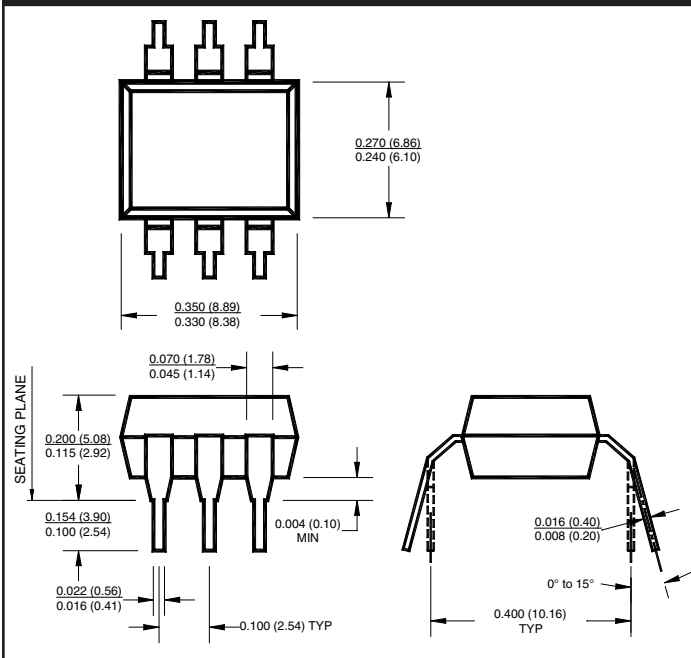
**Package Dimensions (Through Hole)**



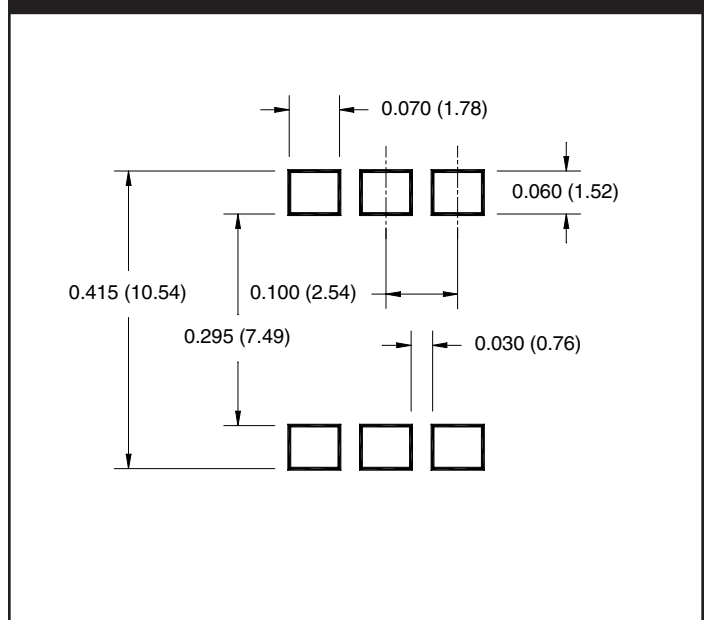
**Package Dimensions (Surface Mount)**



**Package Dimensions (0.4" Lead Spacing)**



**Recommended Pad Layout for Surface Mount Leadform**



**NOTE**

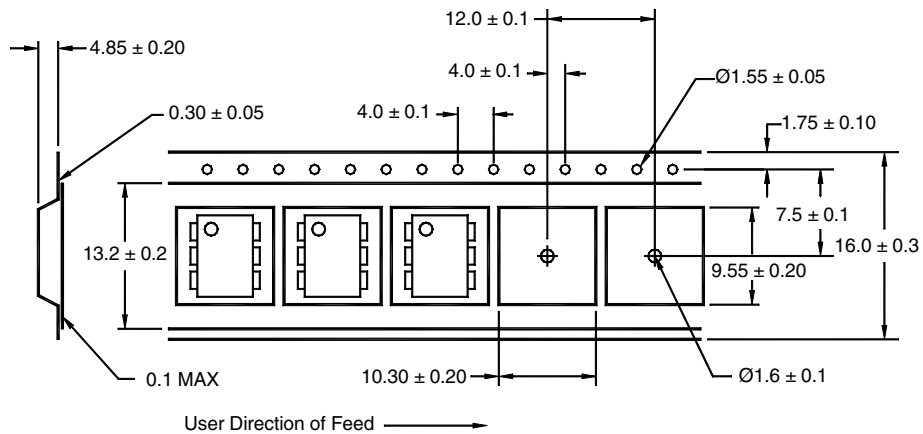
All dimensions are in inches (millimeters)

CNX48U	H11B1	H11B2	H11B255	H11B3
MOC8080	TIL113			

**ORDERING INFORMATION**

Option	Order Entry Identifier	Description
S	.S	Surface Mount Lead Bend
SD	.SD	Surface Mount; Tape and reel
W	.W	0.4" Lead Spacing
300	.300	VDE 0884
300W	.300W	VDE 0884, 0.4" Lead Spacing
3S	.3S	VDE 0884, Surface Mount
3SD	.3SD	VDE 0884, Surface Mount, Tape & Reel

**QT Carrier Tape Specifications ("D" Taping Orientation)**



**NOTE**

All dimensions are millimeters



## DISCLAIMER

FAIRCHILD SEMICONDUCTOR RESERVES THE RIGHT TO MAKE CHANGES WITHOUT FURTHER NOTICE TO ANY PRODUCTS HEREIN TO IMPROVE RELIABILITY, FUNCTION OR DESIGN. FAIRCHILD DOES NOT ASSUME ANY LIABILITY ARISING OUT OF THE APPLICATION OR USE OF ANY PRODUCT OR CIRCUIT DESCRIBED HEREIN; NEITHER DOES IT CONVEY ANY LICENSE UNDER ITS PATENT RIGHTS, NOR THE RIGHTS OF OTHERS.

## LIFE SUPPORT POLICY

FAIRCHILD'S PRODUCTS ARE NOT AUTHORIZED FOR USE AS CRITICAL COMPONENTS IN LIFE SUPPORT DEVICES OR SYSTEMS WITHOUT THE EXPRESS WRITTEN APPROVAL OF THE PRESIDENT OF FAIRCHILD SEMICONDUCTOR CORPORATION. As used herein:

1. Life support devices or systems are devices or systems which, (a) are intended for surgical implant into the body, or (b) support or sustain life, and (c) whose failure to perform when properly used in accordance with instructions for use provided in the labeling, can be reasonably expected to result in a significant injury of the user.
2. A critical component in any component of a life support device or system whose failure to perform can be reasonably expected to cause the failure of the life support device or system, or to affect its safety or effectiveness.