

阅读申明

- 1.本站收集的数据手册和产品资料都来自互联网，版权归原作者所有。如读者和版权方有任何异议请及时告之，我们将妥善解决。
- 2.本站提供的中文数据手册是英文数据手册的中文翻译，其目的是协助用户阅读，该译文无法自动跟随原稿更新，同时也可能存在翻译上的不当。建议读者以英文原稿为参考以便获得更精准的信息。
- 3.本站提供的产品资料，来自厂商的技术支持或者使用者的心得体会等，其内容可能存在描述上的差异，建议读者做出适当判断。
- 4.如需与我们联系，请发邮件到marketing@iczoom.com，主题请标有“数据手册”字样。

Read Statement

1. The datasheets and other product information on the site are all from network reference or other public materials, and the copyright belongs to the original author and original published source. If readers and copyright owners have any objections, please contact us and we will deal with it in a timely manner.
2. The Chinese datasheets provided on the website is a Chinese translation of the English datasheets. Its purpose is for reader's learning exchange only and do not involve commercial purposes. The translation cannot be automatically updated with the original manuscript, and there may also be improper translations. Readers are advised to use the English manuscript as a reference for more accurate information.
3. All product information provided on the website refer to solutions from manufacturers' technical support or users the contents may have differences in description, and readers are advised to take the original article as the standard.
4. If you have any questions, please contact us at marketing@iczoom.com and mark the subject with "Datasheets" .

Embedded USB

W7EU Series

INFORMATION IN THIS DOCUMENT IS PROVIDED IN RELATION TO WINTEC INDUSTRIES PRODUCTS, AND IS SUBJECT TO CHANGE WITHOUT NOTICE.

NOTHING IN THIS DOCUMENT SHALL BE CONSTRUED AS GRANTING ANY LICENSE, EXPRESS OR IMPLIED.

ALL INFORMATION IN THIS DOCUMENT IS PROVIDED ON AN “AS-IS” BASIS WITHOUT GUARANTEE OR WARRANTY OF ANY KIND.

- Please contact your nearest Wintec representative for the latest updates or additional product information.

Table of Contents

Revision History	3
Features	4
Description	4
1.0 Performance and Reliability:	5
2.0 Functional Block Diagram	6
3.0 Physical Dimensions:	7
4.0 Mechanical Profile – Side View:	7
5.0 Mechanical Profile – Bottom View (Standard):	8
6.0 Mechanical Profile – Top View (Vertical):	9
7.0 Pin Specifications and Signal Descriptions:	10
8.0 Pin / Signal Descriptions:.....	11
9.0 Electrical Characteristics – DC Parameters:	11
10.0 Ordering Information	12

Revision History

Revision	Month	Year	History
1.00	October	2008	Initial Release (Preliminary)
1.01	August	2009	Add connector options and mounting heights
1.02	October	2009	Add Pin 10 NC configuration as option Add SM3252 controller as option
1.03	October	2009	Correct mounted connector height Correct Typo Update configuration options
1.04	November	2009	Add Vertical connector configuration Mechanical drawing
1.05	December	2009	Added pictures of various eUSB configurations
1.06	January	2010	Updated Block Diagram/Single voltage support
1.07	June	2010	Updated Storage temp spec/product image for standard connector
1.10	April	2011	Update the Naming guide

Features:

GENERAL

- Embedded USB 2.0 Device
- SLC NAND type flash
- 5V operational voltage
- Low profile
- RoHS Compliant



PERFORMANCE

- High performance SLC NAND
- Dual Channel - seq. RD/WR up to 32/27 MB/s
- Single channel version - seq. RD/WR up to 20/20 MB/s
- Low Power consumption



RELIABILITY

- No moving parts
- Capable of withstanding high impact and vibration shocks
- Built-in hardware engine 8/15 bits BCH ECC per 1K bytes
- Endurance up to 1,000,000 Write/Erase cycles
- 10 year typical data retention

COMPATIBILITY

- Fully compatible with USB 2.0 and backward compatible with USB 1.1 specification
- USB Mass Storage Class Specification 1.0
- 10 Pin 2x5 USB Socket with 2mm or 2.54mm pitch

Description:

The Wintec Embedded USB Flash Drive is a robust and reliable high performance storage and backup solution in a compact form factor. Fully USB 2.0 compatible with high data transfer rates. Superior reliability is achieved by using high quality SLC NAND and featuring extensive error correcting capabilities of 8/15 bits per 528 byte sector. Available in capacities from 512MB to 16GB (32GB capacities available using MLC NAND). Wintec's W7EU series embedded USB flash drives are ideal for embedded applications demanding high performance and reliability.

Performance and Reliability:

Performance and Reliability		
Performance	Up to 32MB/s (dual); 20MB/s (single)	
ECC	SM3252	15 bit BCH ECC per 528 Bytes
	SM3255	13/24/48 bit BCH ECC per 1KB
Endurance	1,000,000 Write / Erase cycles (SLC)	
Data Error Rate	1 in 10 ¹⁵ bits read	
Data Retention	10 years	

Table 1 – Performance and Reliability Data

Environmental Characteristics	
Operating Temperature (ambient)	+70°C Max
Storage Temperature (Min)	-55°C
Storage Temperature (Max)	+150°C
Non-Operating Shock	600G peak @ 2ms pulse
Non-Operating Vibration	5G peak @ 5-500 Hz
Operating Vibration	1.5G peak @ 5-40Hz
ESD	Withstand electrostatic discharge of +/- 4KV

Table 2 – Environmental Characteristics

Functional Block Diagram

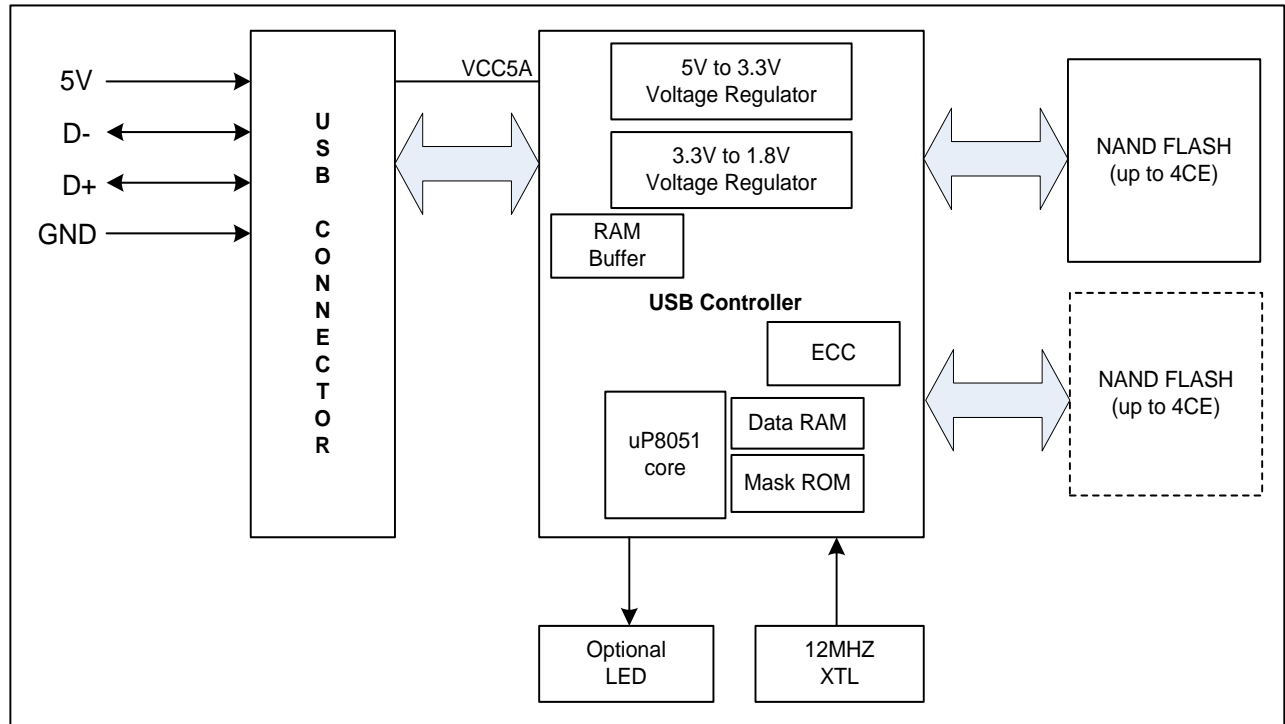


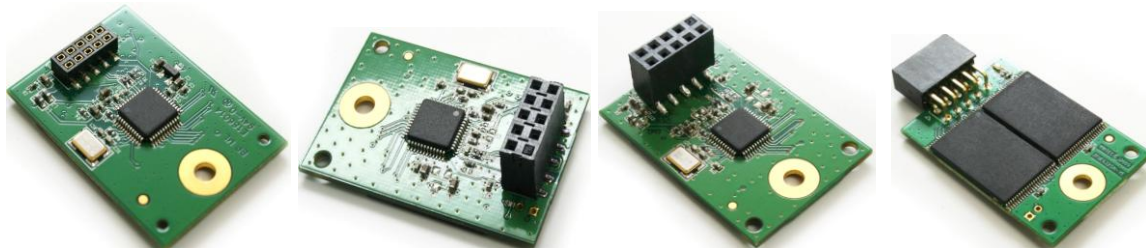
Figure 1

Physical Dimensions:

Wintec’s Embedded USB module has the following dimensions.

eUSB Physical Specification				
	Low Profile	Standard	Ultra High	Right Angle
PCB length	1.45in. (36.9mm)	1.45in. (36.9mm)	1.45in. (36.9mm)	1.45in. (36.9mm)
PCB width	1.05in. (26.6mm)	1.05in. (26.6mm)	1.05in. (26.6mm)	1.05in. (26.6mm)
Connector pitch	0.08in. (2.00mm)	0.10in. (2.54mm)	0.10in. (2.54mm)	0.10in. (2.54mm)
Mounted connector height	0.110in. (2.80mm)	0.291in. (7.4mm)	0.385in. (9.78mm)	0.334in. (8.50mm)

Table 3 – Physical Dimensions



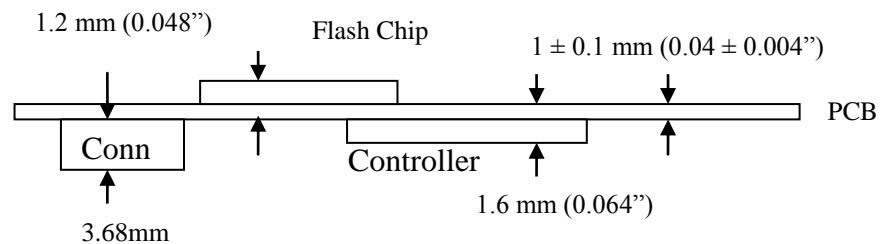
Low Profile

Standard

Ultra High

Right Angle

Mechanical Profile – Side View:



Note: PCB thickness is 40 mils ± 4 mils (1 ± 0.1")

Figure 2

Mechanical Profile – Bottom View (Low Profile, Standard and Ultra High):

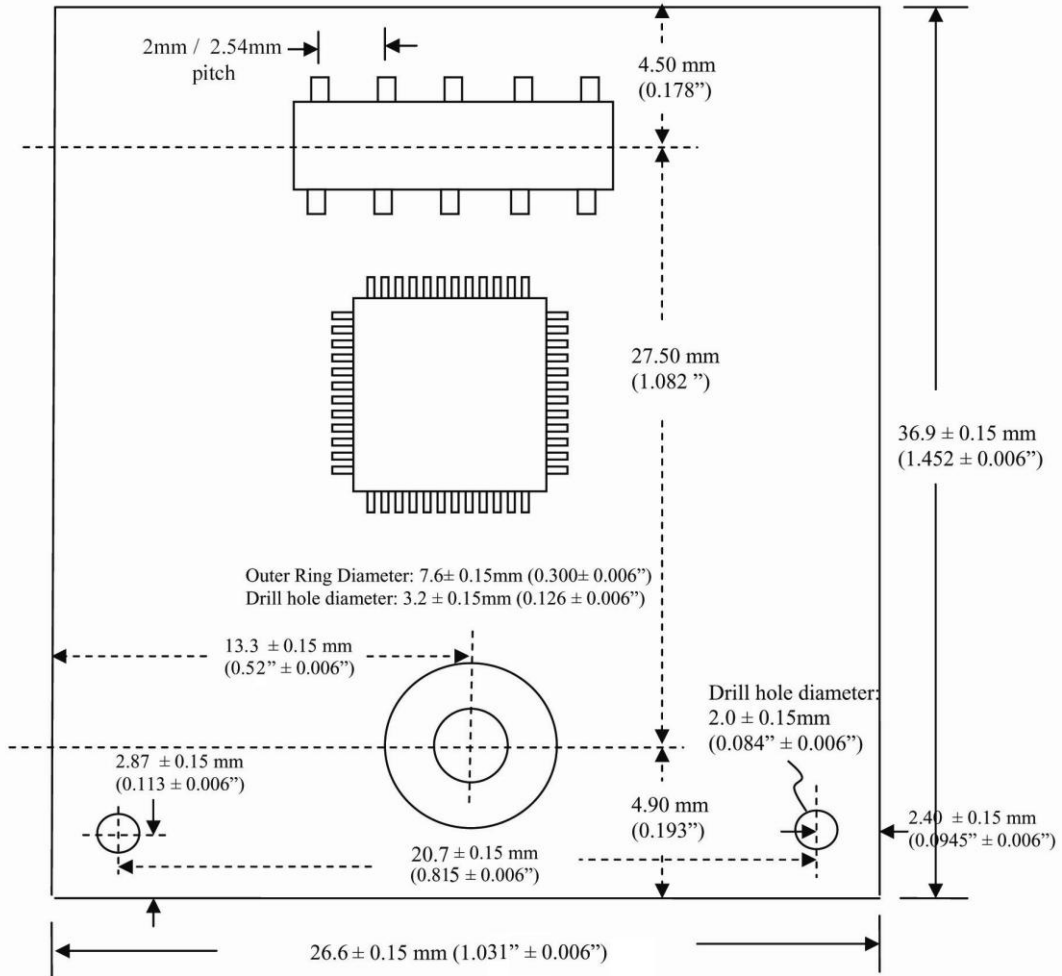


Figure 3

Note: The above dimensions can be used for low profile, standard and ultra high connector configurations. Connector dimensions are listed in Table 3.

Mechanical Profile – Top View (Vertical connector):

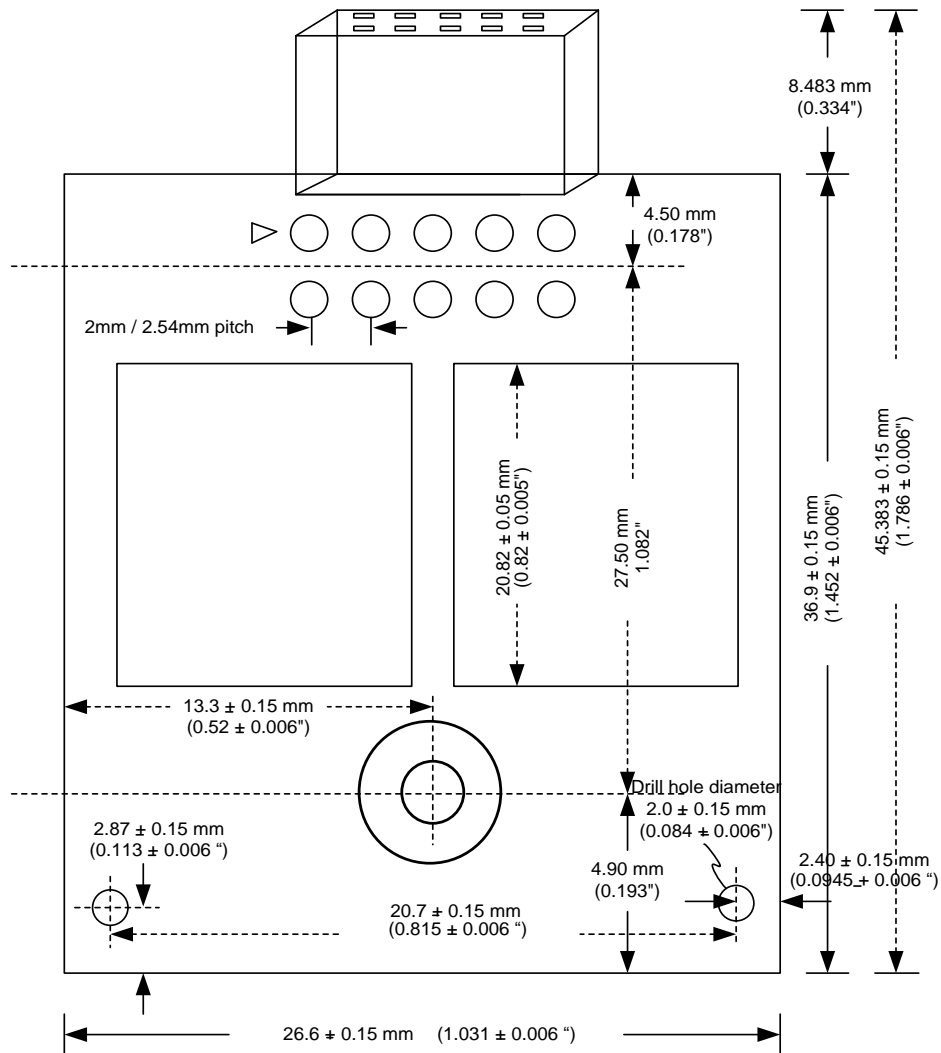


Figure 4

Note: The above dimensions can be used for vertical (right angle) connector configuration. Connector dimensions are listed in Table 3.

Pin Specifications and Signal Descriptions:

Pin Assignment (Bottom View) for 2x5 Connector:
(Pin pitch of either 2.54mm (0.1”) or 2mm is available)

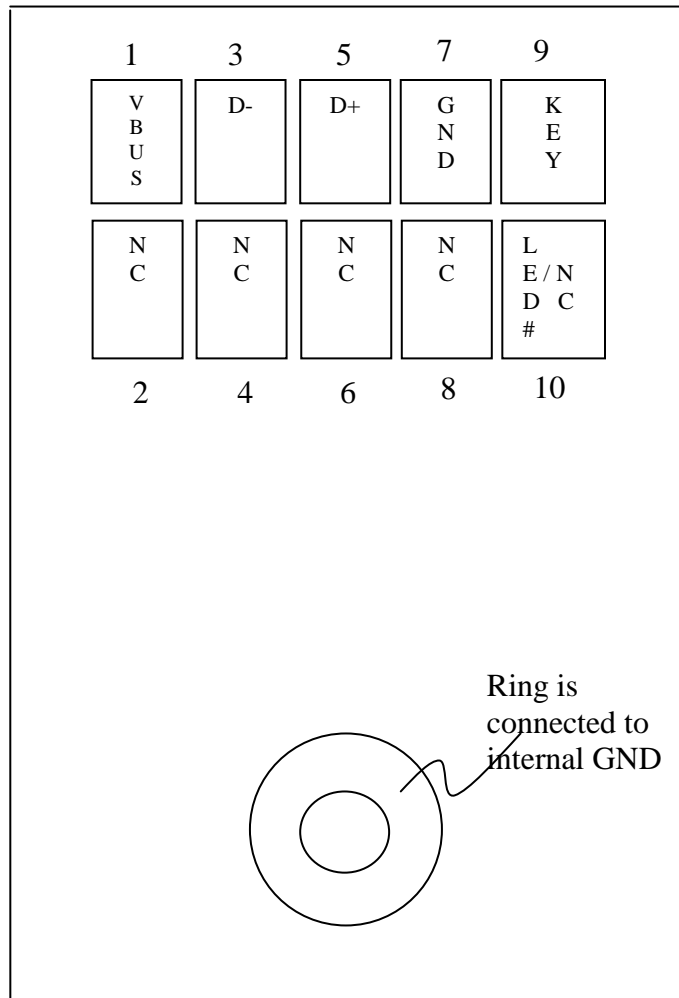


Figure 4

Pin / Signal Descriptions:

PIN #	Signal Name	Signal Type	Signal Description
1	VBUS	Power	5V Power supply connection
2	NC	Input	No Connect
3	D-	I / O	Negative differential data pin
4	NC	-	No Connect
5	D+	I / O	Positive differential data pin
6	NC	-	No Connect
7	GND	Ground	Ground Connection
8	NC	-	No Connect
9	KEY	Power	KEY
10	LED# (Optional) / NC	LVTTL Output	An Active low, up to 10mA pull-down (see note) to indicate a USB transaction is taking place. The signal enables the user to bring the LED control to external panel display. The pin can be left open if not used.

Table 4 – Pin and Signal Descriptions

Note: An LED indicator is built on module to enable users to visualize the embedded Flash module activities. The LVTTL output driver is capable of sinking 24mA. An optional on-board LED draws 1mA of current ($\pm 20\%$), if installed. If the on-board LED is installed, the maximum external LED# sink current is not to exceed 20mA.

Electrical Characteristics – DC Parameters:

Parameter	Symbol	Min	Nom	Max	Unit
Supply Voltage	VBUS	4.2	5.0	5.5	V
Input Leakage Current		-10	-	10	μ A
Output Leakage Current		-10	-	10	μ A
Peak Voltage on all Lines		-0.5	-	3.6	V
Output High Voltage (V_{OH})	V_{OH}	2.4 (at $I_{OH} = -2mA$)	-		V
Output Low Voltage (V_{OL})	V_{OL}		-	0.4	V
Input High (V_{IH})	V_{IH}	2.0	-	-	V
Input Low (V_{IL})	V_{IL}	-0.3	-	0.8	V

Table 5 – DC Parameters

Ordering Guide:

Card Capacity	Part Number
512 MB	W7EU512Mtuv(I)-ww0xx-yyy.zz
1 GB	W7EU001Gtuv(I)-ww0xx-yyy.zz
2 GB	W7EU002Gtuv(I)-ww0xx-yyy.zz
4 GB	W7EU004Gtuv(I)-ww0xx-yyy.zz
8 GB	W7EU008Gtuv(I)-ww0xx-yyy.zz
16 GB	W7EU016Gtuv(I)-ww0xx-yyy.zz

(t) Configuration Options

- 1 : Default (With LED)
- T : Pin 10 NC

(u) Disk/Interface Options

- X : Removable Disk
- T : Fixed Disk

(v) Form Factor Options

- C : Embedded 2mm pitch
- D : Embedded 2.54mm pitch
- E : Embedded 2.54mm pitch High profile
- F : Through-hole Right Angle Connector

(ww) Controller Options

- SM : SM325
- S2 : SM3252
- S5 : SM3255

(xx) NAND Flash IC Mfg. & Die Revision

- P : Samsung A: A Die
- M : Micron B: B Die
- I : Intel C: C Die
- H : Hynix

(yyy) Component Flash type

- 001: 1-Nand Flash chip
- 01D: 1-Nand, Dual Die, 1-CE
- 1D2: 1-Nand, Dual Die, 2-CE
- 1Q2: 1-Nand, Quad Die, 2-CE
- 002: 2-Nand Flash chips
- 02D: 2-Nand, Dual Die, 1-CE
- 2D2: 2-Nand, Dual Die, 2-CE
- 2Q2: 2-Nand, Quad Die, 2-CE

Firmware Revision/Options (Optional)

Please contact the factory for the latest firmware revisions and/or custom labeling and programming identification.

Contact Us (US & Int'l):

Wintec Industries OEM Sales

675 Sycamore Drive
Milpitas, CA 95035
Ph: 408-856-0500 (Main)
Fax: 408-856-0518

oemsales@wintecind.com
<http://www.wintecind.com/oem>

About Wintec Industries, Inc.

Wintec, founded in 1988, is headquartered in Milpitas, California. Wintec, a leading third party memory module manufacturer, specializes in a variety of module design and manufacturing, such as memory module, flash module, Handspring module, modem module, game module, etc. Besides a complete line of DDR, SDR, and EDO/FPM legacy memory modules, Wintec also distribute CPU, motherboard, peripherals, PC software, and consumer Flash products (such as MMC, SD, SMC, Compact Flash, PC Card, etc.). With excellent design engineering and manufacturing capability, Wintec provides a wide range of design and manufacturing services for our valuable customers from concept design to final product delivery. Wintec is ISO9001- 2000 certified.

Important Notice

Wintec Industries, Inc. makes no representations or warranties with respect to the contents of this User Guide and specifically disclaims any implied warranties of any product design for any particular purpose. Wintec Industries, Inc. reserves the rights to revise this publication and to make changes from time to time in the content hereof without obligation of Wintec Industries, Inc. to notify any person or organization of such revisions or changes.