

阅读申明

- 1.本站收集的数据手册和产品资料都来自互联网，版权归原作者所有。如读者和版权方有任何异议请及时告之，我们将妥善解决。
- 2.本站提供的中文数据手册是英文数据手册的中文翻译，其目的是协助用户阅读，该译文无法自动跟随原稿更新，同时也可能存在翻译上的不当。建议读者以英文原稿为参考以便获得更精准的信息。
- 3.本站提供的产品资料，来自厂商的技术支持或者使用者的心得体会等，其内容可能存在描述上的差异，建议读者做出适当判断。
- 4.如需与我们联系，请发邮件到marketing@iczoom.com，主题请标有“数据手册”字样。

Read Statement

1. The datasheets and other product information on the site are all from network reference or other public materials, and the copyright belongs to the original author and original published source. If readers and copyright owners have any objections, please contact us and we will deal with it in a timely manner.
2. The Chinese datasheets provided on the website is a Chinese translation of the English datasheets. Its purpose is for reader's learning exchange only and do not involve commercial purposes. The translation cannot be automatically updated with the original manuscript, and there may also be improper translations. Readers are advised to use the English manuscript as a reference for more accurate information.
3. All product information provided on the website refer to solutions from manufacturers' technical support or users the contents may have differences in description, and readers are advised to take the original article as the standard.
4. If you have any questions, please contact us at marketing@iczoom.com and mark the subject with "Datasheets" .

Compact Flash III series
AP-CFxxxxE3NR-XXXXXXQ

RoHS Compliant

Compact Flash Series III

Industrial CF Specifications

August 11th, 2013

Version 1.1



Apacer Technology Inc.

1F, No.32, Zhongcheng Rd., Tucheng Dist., New Taipei City, Taiwan, R.O.C

Tel: +886-2-2267-8000 Fax: +886-2-2267-2261

www.apacer.com

Compact Flash III series

AP-CFxxxxE3NR-XXXXXXQ

Features:

- **Compact Flash Association Specification Revision 3.0 Standard Interface**
 - ATA command set compatible
 - ATA mode support for up to:
 - PIO Mode-6
 - Multiword DMA Mode-4
 - Ultra DMA Mode-4
- **Connector Type**
 - 50 pins female
- **Power consumption (typical)***
 - Supply voltage: 3.3V & 5V
 - Active mode: 80 mA/95 mA (3.3V/5.0V)
 - Sleep mode: 700 μ A/900 μ A (3.3V/5.0V)
- **Performance***
 - Sustained read: up to 29 MB/sec
 - Sustained write: up to 15 MB/sec
- **Capacity**
 - 128, 256, 512 MB
 - 1, 2, 4, 8, 16 GB
- **NAND Flash Type: SLC**
- **Shock & Vibration****
 - Shock: 1,500 G
 - Vibration: 15 G
- **Temperature ranges**
 - Operating:
 - Standard: 0°C to 70°C
 - Extended: -40°C to 85°C
 - Storage: -40°C to 100°C
- **Flash management**
 - Advanced wear-leveling algorithms
 - S.M.A.R.T. technology
 - Built-in hardware ECC
 - Flash block management
 - Power failure management
- **Endurance (TBW: Terabytes Written)**
 - 128 MB: 3.3 TBW
 - 256 MB: 6.7 TBW
 - 512 MB: 12.9 TBW
 - 1 GB: 25.6 TBW
 - 2 GB: 38.4 TBW
 - 4 GB: 51.9 TBW
 - 8 GB: 69.8 TBW
 - 16 GB: 115.0 TBW
- **Physical Dimensions**
 - 36.4mm x 42.8mm x 3.3mm
- **RoHS compliant**

*Varies from capacities. The values addressed for Performance and Power consumptions are typical and may vary depending on settings and platforms.

**Non-operating

Compact Flash III series
AP-CFxxxxE3NR-XXXXXXQ

Table of Contents

| | |
|--|-----------|
| 1. GENERAL DESCRIPTION | 3 |
| 2. FUNCTIONAL BLOCK | 3 |
| 3. PIN ASSIGNMENTS | 4 |
| 4. PRODUCT SPECIFICATIONS..... | 6 |
| 4.1 CAPACITY..... | 6 |
| 4.2 PERFORMANCE SPECIFICATION..... | 6 |
| 4.3 ENVIRONMENTAL SPECIFICATIONS..... | 7 |
| 4.5 ENDURANCE | 7 |
| 5. FLASH MANAGEMENT | 8 |
| 5.1. ADVANCED WEAR-LEVELING ALGORITHMS | 8 |
| 5.2 S.M.A.R.T. TECHNOLOGY | 8 |
| 5.3 BUILT-IN HARDWARE ECC | 8 |
| 5.4 FLASH BLOCK MANAGEMENT | 8 |
| 5.5 POWER FAILURE MANAGEMENT..... | 8 |
| 6. SOFTWARE INTERFACE | 9 |
| 6.1 COMMAND SET | 9 |
| 7. ELECTRICAL SPECIFICATION | 11 |
| 8. PHYSICAL CHARACTERISTICS..... | 12 |
| 8.1 DIMENSION..... | 12 |
| 9. PRODUCT ORDERING INFORMATION..... | 13 |
| 9.1 PRODUCT CODE DESIGNATIONS | 13 |
| 9.2 VALID COMBINATIONS | 14 |

Compact Flash III series

AP-CFxxxxE3NR-XXXXXXQ

1. General Description

Apacer's value-added Industrial CompactFlash Card offers high performance, high reliability and power-efficient storage. Regarding standard compliance, this CompactFlash Card complies with CompactFlash specification revision 4.1, supporting transfer modes up to Programmed Input Output (PIO) Mode 6, Multi-word Direct Memory Access (DMA) Mode 4, Ultra DMA Mode 5, and PCMCIA Ultra DMA Mode 5.

Apacer's value-added CFC provides complete PCMCIA – ATA functionality and compatibility. Apacer's CompactFlash technology is designed for applications in Point of Sale (POS) terminals, telecom, IP-STB, medical instruments, surveillance systems, industrial PCs and handheld applications such as the new generation of Digital Single Lens Reflex (DSLR) cameras.

2. Functional Block

The Compact Flash Card (CFC) includes a controller and flash media, as well as the Compact Flash standard interface. Figure 2-1 shows the functional block diagram.

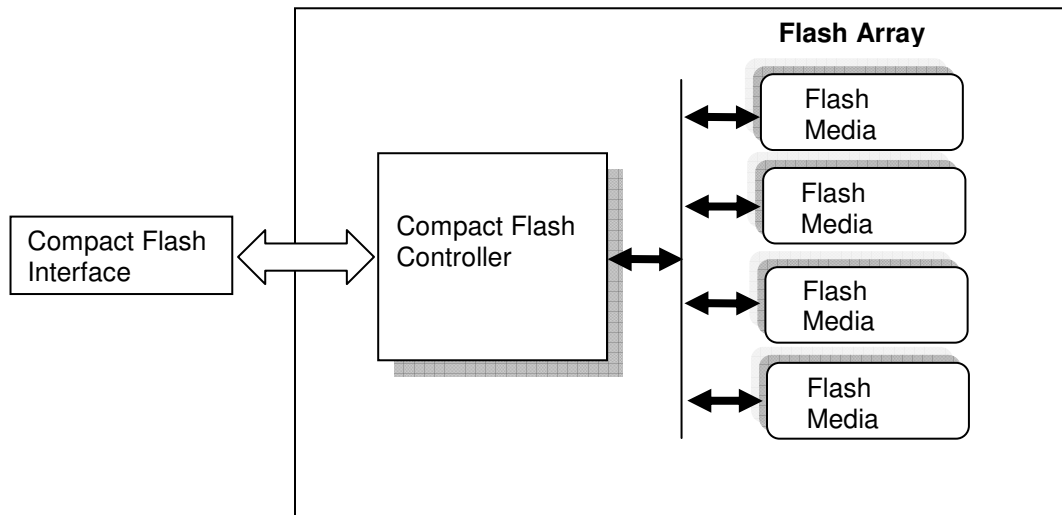


Figure 2-1: Functional block diagram

Compact Flash III series

AP-CFxxxxE3NR-XXXXXXQ

3. Pin Assignments

Table 3-1 lists the pin assignments with respective signal names for the 50-pin configuration. A “#” suffix indicates the active low signal. The pin type can be input, output or input/output.

Table 3-1: Pin assignments (1 of 2)

| Pin No. | Memory card mode | | I/O card mode | | True IDE mode | |
|---------|------------------|--------------|---------------|--------------|------------------|--------------|
| | Signal name | Pin I/O type | Signal name | Pin I/O type | Signal name | Pin I/O type |
| 1 | GND | - | GND | - | GND | - |
| 2 | D3 | I/O | D3 | I/O | D3 | I/O |
| 3 | D4 | I/O | D4 | I/O | D4 | I/O |
| 4 | D5 | I/O | D5 | I/O | D5 | I/O |
| 5 | D6 | I/O | D6 | I/O | D6 | I/O |
| 6 | D7 | I/O | D7 | I/O | D7 | I/O |
| 7 | #CE1 | I | #CE1 | I | #CE1 | I |
| 8 | A10 | I | A10 | I | A10 ¹ | I |
| 9 | #OE | I | #OE | I | #OE | I |
| 10 | A9 | I | A9 | I | A9 ¹ | I |
| 11 | A8 | I | A8 | I | A8 ¹ | I |
| 12 | A7 | I | A7 | I | A7 ¹ | I |
| 13 | VCC | - | VCC | - | VCC | - |
| 14 | A6 | I | A6 | I | A6 ¹ | I |
| 15 | A5 | I | A5 | I | A5 ¹ | I |
| 16 | A4 | I | A4 | I | A4 ¹ | I |
| 17 | A3 | I | A3 | I | A3 ¹ | I |
| 18 | A2 | I | A2 | I | A2 | I |
| 19 | A1 | I | A1 | I | A1 | I |
| 20 | A0 | I | A0 | I | A0 | I |
| 21 | D0 | I/O | D0 | I/O | D0 | I/O |
| 22 | D1 | I/O | D1 | I/O | D1 | I/O |
| 23 | D2 | I/O | D2 | I/O | D2 | I/O |
| 24 | WP | O | #IOCS16 | O | #IOCS16 | O |
| 25 | #CD2 | O | #CD2 | O | #CD2 | O |
| 26 | #CD1 | O | #CD1 | O | #CD1 | O |
| 27 | D11 | I/O | D11 | I/O | D11 | I/O |
| 28 | D12 | I/O | D12 | I/O | D12 | I/O |
| 29 | D13 | I/O | D13 | I/O | D13 | I/O |
| 30 | D14 | I/O | D14 | I/O | D14 | I/O |
| 31 | D15 | I/O | D15 | I/O | D15 | I/O |
| 32 | #CE2 | I | #CE2 | I | #CE2 | I |
| 33 | #VS1 | O | #VS1 | O | #VS1 | O |
| 34 | #IORD | I | #IORD | I | #IORD | I |
| 35 | #IOWR | I | #IOWR | I | #IOWR | I |
| 36 | #WE | I | #WE | I | #WE | I |
| 37 | RDY/-BSY | O | -IREQ | O | INTRQ | O |
| 38 | VCC | - | VCC | - | VCC | - |
| 39 | #CSEL | I | #CSEL | I | #CSEL | I |
| 40 | #VS2 | O | #VS2 | O | #VS2 | O |
| 41 | RESET | I | RESET | I | RESET | I |

Compact Flash III series

AP-CFxxxxE3NR-XXXXXXQ

Table 3-1: Pin assignments (2 of 2)

| Pin No. | Memory card mode | | I/O card mode | | True IDE mode | |
|---------|------------------|--------------|---------------|--------------|--------------------|--------------|
| | Signal name | Pin I/O type | Signal name | Pin I/O type | Signal name | Pin I/O type |
| 42 | #WAIT | O | #WAIT | O | IORDY | O |
| 43 | #INPACK | O | #INPACK | O | DMARQ ² | O |
| 44 | -REG | I | #REG | I | DMACK ² | I |
| 45 | BVD2 | O | #SPKR | O | #DASP | I/O |
| 46 | BVD1 | O | #STSCHG | O | #PDIAG | I/O |
| 47 | D8 | I/O | D8 | I/O | D8 | I/O |
| 48 | D9 | I/O | D9 | I/O | D9 | I/O |
| 49 | D10 | I/O | D10 | I/O | D10 | I/O |
| 50 | GND | - | GND | - | GND | - |

1. The signal should be tied to VCC by the host.
2. Connection required when UDMA is in use.

Compact Flash III series

AP-CFxxxxE3NR-XXXXXXQ

4. Product Specifications

4.1 Capacity

Capacity specification of the Compact Flash Card series (CFC) is available as shown in Table 4-1. It lists the specific capacity and the default numbers of heads, sectors and cylinders for each product line.

Table 4-1: Capacity specifications

| Capacity | Total bytes ^{1,2} | Cylinders | Heads | Sectors | Max LBA |
|----------|----------------------------|---------------------|-------|---------|------------|
| 128 MB | 128,450,560 | 980 | 8 | 32 | 250,880 |
| 256 MB | 256,901,120 | 980 | 16 | 32 | 501,760 |
| 512 MB | 512,483,328 | 993 | 16 | 63 | 1,000,944 |
| 1GB | 1,024,966,656 | 1,986 | 16 | 63 | 2,001,888 |
| 2GB | 2,048,901,120 | 3,970 | 16 | 63 | 4,001,760 |
| 4GB | 4,110,188,544 | 7,964 | 16 | 63 | 8,027,712 |
| 8GB | 8,195,604,480 | 15,880 | 16 | 63 | 16,007,040 |
| 16GB | 16,391,208,960 | 16,383 ³ | 16 | 63 | 32,014,080 |

Notes:

Display of total bytes varies from operating systems.

Cylinders, heads or sectors are not applicable for these capacities. Only LBA addressing applies

Notes: 1 GB = 1,000,000,000 bytes; 1 sector = 512 bytes.

LBA count addressed in the table above indicates total user storage capacity and will remain the same throughout the lifespan of the device. However, the total usable capacity of the SSD is most likely to be less than the total physical capacity because a small portion of the capacity is reserved for device maintenance usages.

4.2 Performance Specification

Performances of the CF cards are listed in Table 4-2

Table 4-2: Performance specifications

| Capacity \ Performance | 128 MB | 256 MB | 512 MB | 1 GB | 2 GB | 4 GB | 8 GB | 16 GB |
|------------------------|--------|--------|--------|------|------|------|------|-------|
| Sustained read (MB/s) | 17 | 29 | 19 | 21 | 20 | 21 | 21 | 20 |
| Sustained write (MB/s) | 4 | 8 | 7 | 12 | 11 | 11 | 13 | 15 |

Notes: performance may vary depending on flash configurations or host system settings.

Compact Flash III series

AP-CFxxxxE3NR-XXXXXXQ

4.3 Environmental Specifications

Environmental specification of the Compact Flash Card series (CFC) follows the MIL-STD-810F standards as shown in Table 4-3.

Table 4-3: Environmental specifications

| Environment | | Specification |
|---------------------------|-----------|---|
| Temperature | Operation | 0°C to 70°C; -40°C to 85°C (Extended Temperature) |
| | Storage | -40°C to 100°C |
| Vibration (Non-Operation) | | Sine wave : 10~2000Hz, 15G (X, Y, Z axes) |
| Shock (Non-Operation) | | Half sine wave 1,500G (X, Y, Z ; All 6 axes) |

4.5 Endurance

The endurance of a storage device is predicted by TeraBytes Written based on several factors related to usage, such as the amount of data written into the drive, block management conditions, and daily workload for the drive. Thus, key factors, such as Write Amplifications and the number of P/E cycles, can influence the lifespan of the drive.

| Capacity | TeraBytes Written |
|----------|-------------------|
| 128 MB | 3.3 |
| 256 MB | 6.7 |
| 512 MB | 12.9 |
| 1 GB | 25.6 |
| 2 GB | 38.4 |
| 4 GB | 51.9 |
| 8 GB | 69.8 |
| 16 GB | 115.0 |

Notes:

- The measurement assumes the data written to the SSD for test is under a typical and constant rate.
- The measurement follows the standard metric: 1 TB (Terabyte) = 1000 GB.

5. Flash Management

5.1. Advanced wear-leveling algorithms

Flash memory devices differ from Hard Disk Drives (HDDs) in terms of how blocks are utilized. For HDDs, when a change is made to stored data, like erase or update, the controller mechanism on HDDs will perform overwrites on blocks. Unlike HDDs, flash blocks cannot be overwritten and each P/E cycle wears down the lifespan of blocks gradually. Repeatedly program/erase cycles performed on the same memory cells will eventually cause some blocks to age faster than others. This would bring flash storages to their end of service term sooner. Wear leveling is an important mechanism that level out the wearing of blocks so that the wearing-down of blocks can be almost evenly distributed. This will increase the lifespan of SSDs. Commonly used wear leveling types are Static and Dynamic.

5.2 S.M.A.R.T. technology

S.M.A.R.T. is an acronym for Self-Monitoring, Analysis and Reporting Technology, an open standard allowing disk drives to automatically monitor their own health and report potential problems. It protects the user from unscheduled downtime by monitoring and storing critical drive performance and calibration parameters. Ideally, this should allow taking proactive actions to prevent impending drive failure. Apacer SMART feature adopts the standard SMART command B0h to read data from the drive. When the Apacer SMART Utility running on the host, it analyzes and reports the disk status to the host before the device is in critical condition.

5.3 Built-in hardware ECC

The ATA-Disk Module uses BCH Error Detection Code (EDC) and Error Correction Code (ECC) algorithms which correct up to eight random single-bit errors for each 512-byte block of data. High performance is fulfilled through hardware-based error detection and correction.

5.4 Flash block management

Current production technology is unable to guarantee total reliability of NAND flash memory array. When a flash memory device leaves factory, it comes with a minimal number of initial bad blocks during production or out-of-factory as there is no currently known technology that produce flash chips free of bad blocks. In addition, bad blocks may develop during program/erase cycles. When host performs program/erase command on a block, bad block may appear in Status Register. Since bad blocks are inevitable, the solution is to keep them in control. Apacer flash devices are programmed with ECC, block mapping technique and S.M.A.R.T to reduce invalidity or error. Once bad blocks are detected, data in those blocks will be transferred to free blocks and error will be corrected by designated algorithms.

5.5 Power Failure Management

Power Failure Management plays a crucial role when experiencing unstable power supply. Power disruption may occur when users are storing data into the SSD. In this urgent situation, the controller would run multiple write-to-flash cycles to store the metadata for later block rebuilding. This urgent operation requires about several milliseconds to get it done. At the next power up, the firmware will perform a status tracking to retrieve the mapping table and resume previously programmed NAND blocks to check if there is any incompleteness of transmission.

Compact Flash III series

AP-CFxxxxE3NR-XXXXXXQ

6. Software Interface

6.1 Command Set

Table 6-1 summarizes the command set with the paragraphs that follow describing the individual commands and the task file for each.

Table 6-1: Command set (1 of 2)

| Command | Code |
|------------------------------|------------|
| Check-Power-Mode | E5H or 98H |
| Execute-Drive-Diagnostic | 90H |
| Erase Sector(s) | C0H |
| Flush-Cache | E7H |
| Format Track | 50H |
| Identify-Drive | ECH |
| Idle | E3H or 97H |
| Idle-Immediate | E1H or 95H |
| Initialize-Drive-Parameters | 91H |
| NOP | 00H |
| Read-Buffer | E4H |
| Read-DMA | C8H or C9H |
| Read-Multiple | C4H |
| Read-Sector(s) | 20H or 21H |
| Read-Verify-Sector(s) | 40H or 41H |
| Recalibrate | 1XH |
| Request-Sense | 03H |
| Seek | 7XH |
| Set-Features | EFH |
| SMART | B0H |
| Set-Multiple-Mode | C6H |
| Set-Sleep-Mode | E6H or 99H |
| Standby | E2H or 96H |
| Standby-Immediate | E0H or 94H |
| Translate-Sector | 87H |
| Write-Buffer | E8H |
| Write-DMA | CAH or CBH |
| Write-Multiple | C5H |
| Write-Multiple-Without-Erase | CDH |

Compact Flash III series

AP-CFxxxxE3NR-XXXXXXQ

| | |
|----------------------------|------------|
| Write-Sector(s) | 30H or 31H |
| Write-Sector-Without-Erase | 38H |
| Write-Verify | 3CH |

Compact Flash III series

AP-CFxxxxE3NR-XXXXXXQ

7. Electrical Specification

Caution: Absolute Maximum Stress Ratings – Applied conditions greater than those listed under “Absolute Maximum Stress Ratings” may cause permanent damage to the device. This is a stress rating only and functional operation of the device at these conditions or conditions greater than those defined in the operational sections of this data sheet is not implied. Exposure to absolute maximum stress rating conditions may affect device reliability.

Table 7-1: Operating range

| | |
|---------------------------------------|--------------------------|
| Standard Operating Temperature | 0 °C to +70 °C |
| Extended Operating Temperature | -40 °C to +85 °C |
| Supply voltage | 5V ± 5% (4.75-5.25V) |
| | 3.3V ± 5% (3.135-3.465V) |

Table 7-2: Absolute maximum power pin stress ratings

| Parameter | Symbol | Conditions |
|---|-----------------|---|
| Input Power | V _{DD} | -0.3V min. to 6.5V max. |
| Voltage on any pin except V _{DD} with respect to GND | V | -0.5V min. to V _{DD} + 0.5V max. |

Table 7-3: Recommended system power-up timing

| Symbol | Parameter | Typical | Maximum | Units |
|------------------------------------|-----------------------------|---------|---------|-------|
| T _{PU-READY} ¹ | Power-up to Ready Operation | 200 | 1000 | ms |
| T _{PU-WRITE} ¹ | Power-up to Write Operation | 200 | 1000 | ms |

1. This parameter is measured only for initial qualification and after a design or process change that could affect this parameter.

Compact Flash III series AP-CFxxxxE3NR-XXXXXXQ

8. Physical Characteristics

8.1 Dimension

TABLE 8-1: Type I CFC physical specification

| | |
|--|--------------------------------------|
| Length: | 36.40 +/- 0.15mm (1.433+/- 0.06 in.) |
| Width: | 42.80 +/- 0.10mm (1.685+/- 0.04 in.) |
| Thickness (Including Label Area): | 3.3mm+/-0.10mm (0.130+/-0.04in.) |



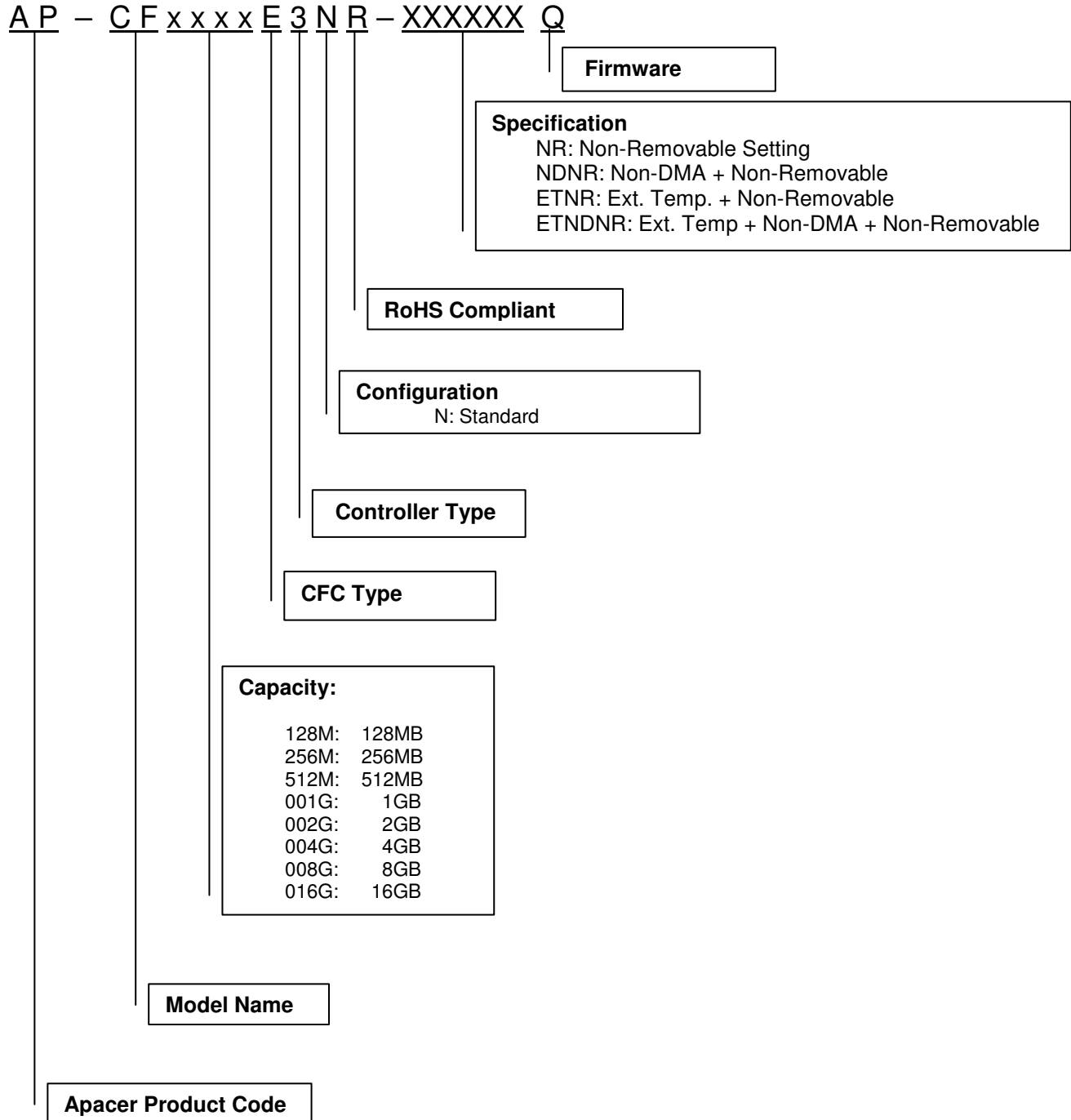
FIGURE 8-1: Physical dimension

Compact Flash III series

AP-CFxxxxE3NR-XXXXXXQ

9. Product Ordering Information

9.1 Product Code Designations



Compact Flash III series

AP-CFxxxxE3NR-XXXXXXQ

9.2 Valid Combinations

Standard Temperature

Non-Removable

| Capacity | Model Number |
|----------|-------------------|
| 128MB | AP-CF128ME3NR-NRQ |
| 256MB | AP-CF256ME3NR-NRQ |
| 512MB | AP-CF512ME3NR-NRQ |
| 1GB | AP-CF001GE3NR-NRQ |
| 2GB | AP-CF002GE3NR-NRQ |
| 4GB | AP-CF004GE3NR-NRQ |
| 8GB | AP-CF008GE3NR-NRQ |
| 16GB | AP-CF016GE3NR-NRQ |

Non-DMA & Non-Removable

| Capacity | Model Number |
|----------|---------------------|
| 128MB | AP-CF128ME3NR-NDNRQ |
| 256MB | AP-CF256ME3NR-NDNRQ |
| 512MB | AP-CF512ME3NR-NDNRQ |
| 1GB | AP-CF001GE3NR-NDNRQ |
| 2GB | AP-CF002GE3NR-NDNRQ |
| 4GB | AP-CF004GE3NR-NDNRQ |
| 8GB | AP-CF008GE3NR-NDNRQ |
| 16GB | AP-CF016GE3NR-NDNRQ |

Compact Flash III series

AP-CFxxxxE3NR-XXXXXXQ

Extended Temperature

Non-Removable

| Capacity | Model Number |
|----------|---------------------|
| 128MB | AP-CF128ME3NR-ETNRQ |
| 256MB | AP-CF256ME3NR-ETNRQ |
| 512MB | AP-CF512ME3NR-ETNRQ |
| 1GB | AP-CF001GE3NR-ETNRQ |
| 2GB | AP-CF002GE3NR-ETNRQ |
| 4GB | AP-CF004GE3NR-ETNRQ |
| 8GB | AP-CF008GE3NR-ETNRQ |
| 16GB | AP-CF016GE3NR-ETNRQ |

Non-DMA & Non-Removable

| Capacity | Model Number |
|----------|-----------------------|
| 128MB | AP-CF128ME3NR-ETNDNRQ |
| 256MB | AP-CF256ME3NR-ETNDNRQ |
| 512MB | AP-CF512ME3NR-ETNDNRQ |
| 1GB | AP-CF001GE3NR-ETNDNRQ |
| 2GB | AP-CF002GE3NR-ETNDNRQ |
| 4GB | AP-CF004GE3NR-ETNDNRQ |
| 8GB | AP-CF008GE3NR-ETNDNRQ |
| 16GB | AP-CF016GE3NR-ETNDNRQ |

Compact Flash III series
AP-CFxxxxE3NR-XXXXXXQ

Revision History

| Revision | Date | Description | Remark |
|-----------------|-------------|--|---------------|
| 1.0 | 05/19/2011 | Official release | |
| 1.1 | 08/11/2013 | Updated performance and product ordering information due to change in NAND flash use Updated the address of Taiwan headquarter Added endurance TBW section to replace MTBF | |

Compact Flash III series

AP-CFxxxxE3NR-XXXXXXQ

Global Presence

| | |
|------------------------------|---|
| Taiwan (Headquarters) | Apacer Technology Inc. Apacer Technology Inc. 1F., No.32, Zhongcheng Rd., Tucheng Dist., New Taipei City 236, Taiwan R.O.C. Tel: 886-2-2267-8000 Fax: 886-2-2267-2261 amtsales@apacer.com |
| U.S.A. | Apacer Memory America, Inc. 386 Fairview Way, Suite102, Milpitas, CA 95035 Tel: 1-408-518-8699 Fax: 1-408-935-9611 sa@apacerus.com |
| Japan | Apacer Technology Corp. 5F, Matsura Bldg., Shiba, Minato-Ku Tokyo, 105-0014, Japan Tel: 81-3-5419-2668 Fax: 81-3-5419-0018 jpservices@apacer.com |
| Europe | Apacer Technology B.V. Science Park Eindhoven 5051 5692 EB Son, The Netherlands Tel: 31-40-267-0000 Fax: 31-40-267-0000#6199 sales@apacer.nl |
| China | Apacer Electronic (Shanghai) Co., Ltd 1301, No.251, Xiaomuqiao Road, Shanghai, 200032, China Tel: 86-21-5529-0222 Fax: 86-21-5206-6939 sales@apacer.com.cn |
| India | Apacer Technologies Pvt. Ltd. # 535, 1st Floor, 8th cross, JP Nagar 3rd Phase, Bangalore – 560078, India Tel: 91-80-4152-9061 sales_india@apacer.com |