

阅读申明

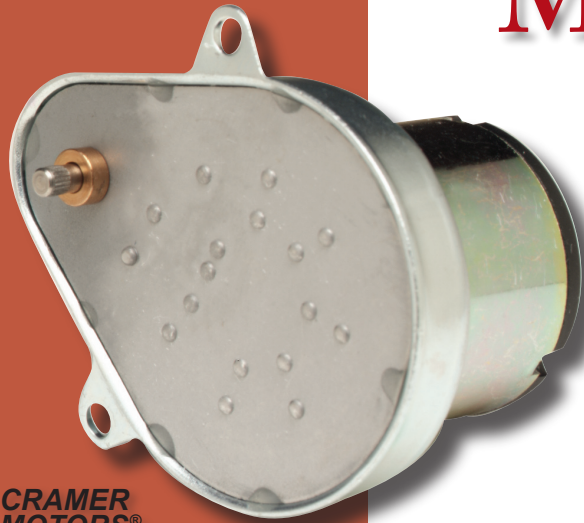
- 1.本站收集的数据手册和产品资料都来自互联网，版权归原作者所有。如读者和版权方有任何异议请及时告之，我们将妥善解决。
- 2.本站提供的中文数据手册是英文数据手册的中文翻译，其目的是协助用户阅读，该译文无法自动跟随原稿更新，同时也可能存在翻译上的不当。建议读者以英文原稿为参考以便获得更精准的信息。
- 3.本站提供的产品资料，来自厂商的技术支持或者使用者的心得体会等，其内容可能存在描述上的差异，建议读者做出适当判断。
- 4.如需与我们联系，请发邮件到marketing@iczoom.com，主题请标有“数据手册”字样。

Read Statement

1. The datasheets and other product information on the site are all from network reference or other public materials, and the copyright belongs to the original author and original published source. If readers and copyright owners have any objections, please contact us and we will deal with it in a timely manner.
2. The Chinese datasheets provided on the website is a Chinese translation of the English datasheets. Its purpose is for reader's learning exchange only and do not involve commercial purposes. The translation cannot be automatically updated with the original manuscript, and there may also be improper translations. Readers are advised to use the English manuscript as a reference for more accurate information.
3. All product information provided on the website refer to solutions from manufacturers' technical support or users the contents may have differences in description, and readers are advised to take the original article as the standard.
4. If you have any questions, please contact us at marketing@iczoom.com and mark the subject with "Datasheets" .

800

DC Permanent Magnet Motors



**CRAMER
MOTORS®**

Model 800

The Cramer line of DC Permanent Magnet Motors offers application solutions requiring fast starts, high starting torque and drive reversibility.

Applications Include:

- Warning Lights • Graphic Plotters • Automatic Teller Machines • Printers
- Medical Pump and Drive Values • Transit Ticket Dispensers • Card Readers

Features:

- High torque capability • Fast starting and stops
- Clockwise and Counter Clockwise rotation available
- Clutches available are One-Way Incremental, or Two-Way Slip
- Pear-shape and round-gear case available

Similar Products By Cramer:



Hysteresis Motors Model 6100



AC Permanent Magnet Motors
Models 105, 107, and 113

Specifications: Rating Data (Ounce Inches @ 1 RPM)

Model 800

Starting Torque* @ 1 RPM	60 oz. in.
Running Torque** @ 1 RPM	60 oz. in.
Current Input (No load)	as low as 18 ma.
Standard Voltages	4 - 24 VDC
Noise Suppression	Varistor type
Standard Mounting	2 hole
Mounting Centers (Round)	2.125 inches
Mounting Centers (Pear Shaped)	1.875 inches
Gear Train Rating - Dynamic*** (Standard Duty)	30 oz. in.
Gear Train Rating - Static**** (Standard Duty)	90 oz. in.
Operating Temperature Range	+77°F to 185°F +25°C to 85°C

*Starting Torque is the Torque Load the motor can accelerate from rest.

**Running torque is the load the motor can drive after obtaining rated motor speed.

***Dynamic Torque is the maximum load, that the gear train can drive continuously without undue wear.

****Static Torque is the maximum torque load that can be sustained without risk of damage to the gear train.



105 Nutmeg Road South
South Windsor, CT 06074 USA

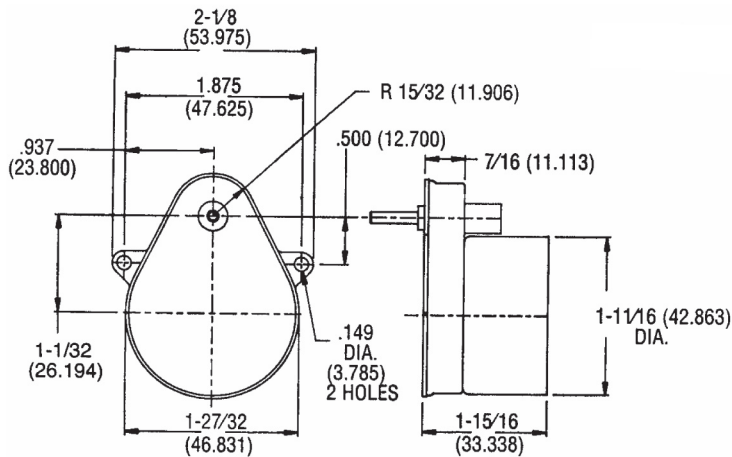
P: 860.291.8402

F: 860.610.0897

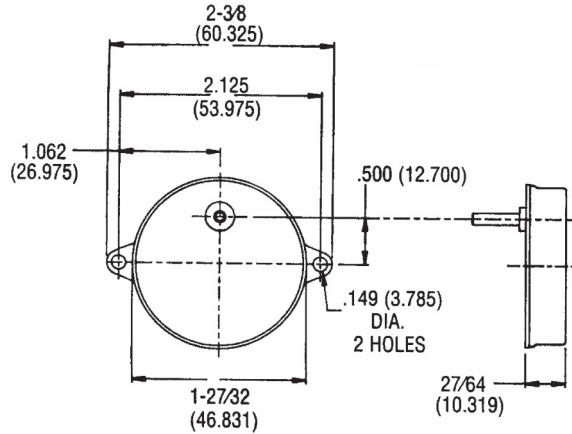
cramer-motors.com

DC Permanent Magnet Motors

Pear-Shaped Gear Case:

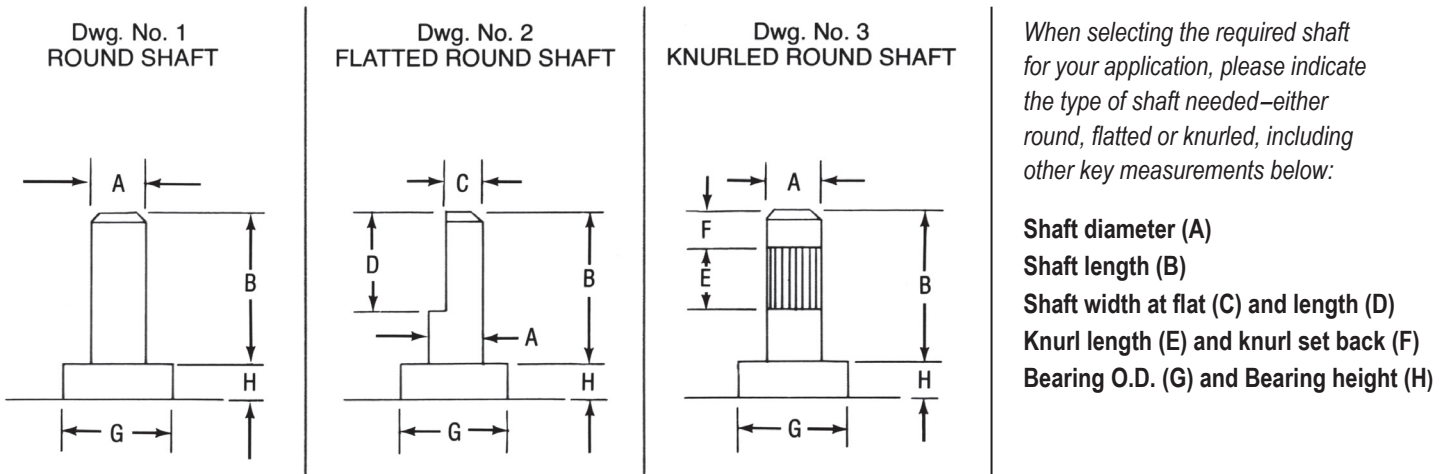


Round-Shaped Gear Case:



Dimensions: INCH [MM]

Shaft Selection Data:



Motor Selection:

When specifying a motor for meeting your application, Cramer Company requires information such as torque, speed requirements, voltage, shaft dimensions and shape, direction of rotation and other key performance values.

To assist you in specifying the requirements above, please visit cramer-motors.com or call our sales staff and request a specification worksheet for completing the information.

Warranty: Cramer warrants its products against defective material or workmanship for a period of one year from the date of shipment from factory, providing product has been used in accordance with instructions and specified ratings. Consult factory for further details concerning our warranty policy.