

阅读申明

- 1.本站收集的数据手册和产品资料都来自互联网，版权归原作者所有。如读者和版权方有任何异议请及时告之，我们将妥善解决。
- 2.本站提供的中文数据手册是英文数据手册的中文翻译，其目的是协助用户阅读，该译文无法自动跟随原稿更新，同时也可能存在翻译上的不当。建议读者以英文原稿为参考以便获得更精准的信息。
- 3.本站提供的产品资料，来自厂商的技术支持或者使用者的心得体会等，其内容可能存在描述上的差异，建议读者做出适当判断。
- 4.如需与我们联系，请发邮件到marketing@iczoom.com，主题请标有“数据手册”字样。

Read Statement


1. The datasheets and other product information on the site are all from network reference or other public materials, and the copyright belongs to the original author and original published source. If readers and copyright owners have any objections, please contact us and we will deal with it in a timely manner.
2. The Chinese datasheets provided on the website is a Chinese translation of the English datasheets. Its purpose is for reader's learning exchange only and do not involve commercial purposes. The translation cannot be automatically updated with the original manuscript, and there may also be improper translations. Readers are advised to use the English manuscript as a reference for more accurate information.
3. All product information provided on the website refer to solutions from manufacturers' technical support or users the contents may have differences in description, and readers are advised to take the original article as the standard.
4. If you have any questions, please contact us at marketing@iczoom.com and mark the subject with "Datasheets" .

44M SERIES

SMALL BUT POWERFUL

**GENERAL SPECIFICATIONS**

Step Angle	3.6°
Step Accuracy	± 0.4°
Operating Temperature	100°C Max
Ambient Temperature Range	-20°C ~ +70°C
Insulation Resistance at 500Vdc	100MΩ
Dielectric Withstanding Voltage	650 ± 50 VRMS, 2 sec

 [CLICK HERE TO PRINT THIS SERIES](#)
OPENS PDF IN NEW WINDOW

The specifications in this publication are believed to be accurate and reliable. However, it is the responsibility of the product user to determine the suitability of Portescap products for a specific application. While defective products will be replaced without charge if promptly returned, no liability is assumed beyond such replacement.

Portescap Danaher Motion motors will not be CE marked where the Low Voltage Directive, the Electro-Magnetic Compatibility or other appropriate EU directives are not applicable - this is an EU legal requirement.

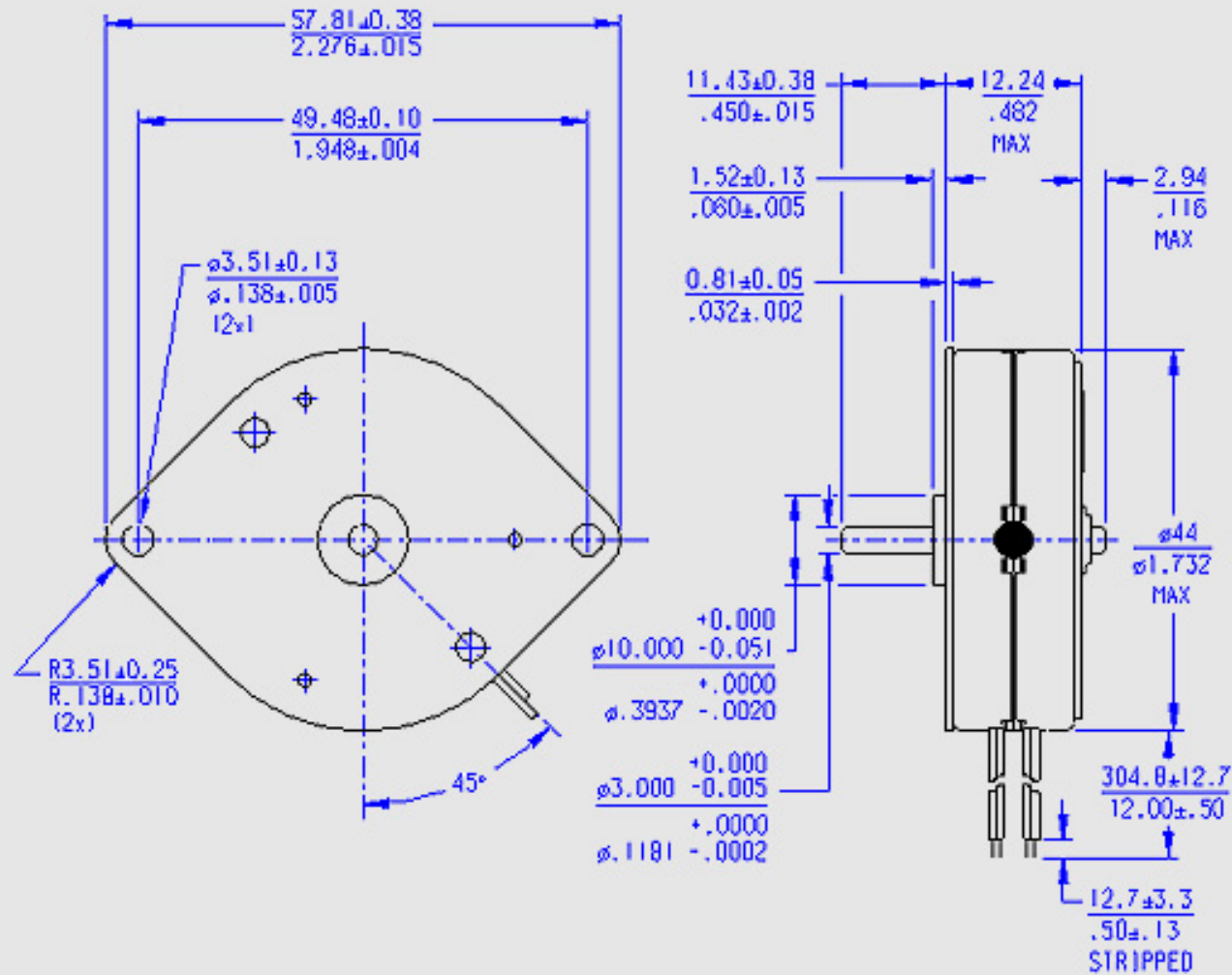
TECHNICAL SPECIFICATIONS

	BIPOLAR	
Part Number	44M100D1B	44M100D2B
DC Operating Voltage	5	12
Resistance per Winding (ohms)	12.5	70
Inductance per Winding (mH)	6.7	35
Holding Torque* (mNm/oz-in)	46.6 / 6.6	46.6 / 6.6
Rotor Moment of Inertia (g.m ²)	8.3 x 10 ⁻⁴	8.3 x 10 ⁻⁴
Detent Torque (mNm/oz-in)	8.47 / 1.20	8.47 / 1.20
Step Angle	3.6°	3.6°
Step Angle Tolerance*	± 0.4°	± 0.4°
Steps per Revolution*	100	100
Max. Operating Temperature	100°C	100°C
Ambient Temperature Range		
Operating	-20°C to 70°C	-20°C to 70°C
Storage	-40°C to 85°C	-40°C to 85°C
Bearing Type	Sintered bronze sleeve	Sintered bronze sleeve
Insulation Resistance at 500Vdc	100 megohms	100 megohms
Dielectric Withstanding Voltage	650 ± 50 VRMS, 2 sec	650 ± 50 VRMS, 2 sec
Weight (g/oz)	88 / 3.1	88 / 3.1
Leadwires	28 AWG, UL Style 3265	28 AWG, UL Style 3265

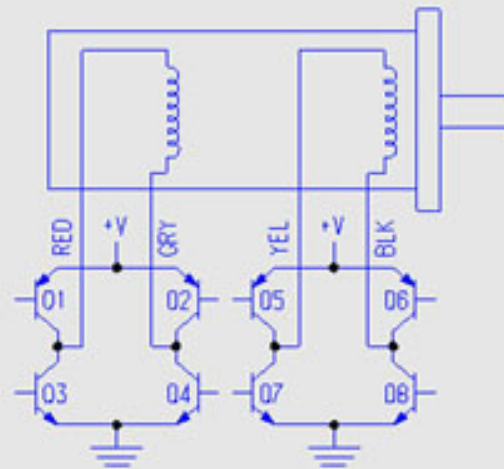
* Measured with 2 phases energized

MECHANICAL DIMENSIONS

UNITS = MM / INCHES



WIRING DIAGRAM



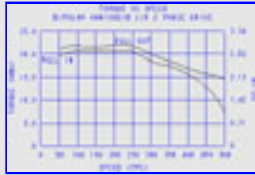
BIPOLAR

STEP	01-04	02-03	05-08	06-07
1	ON	OFF	ON	OFF
2	ON	OFF	OFF	ON
3	OFF	ON	OFF	ON
4	OFF	ON	ON	OFF
1	ON	OFF	ON	OFF

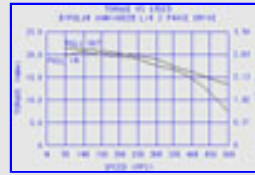
CW ROTATION
CCW ROTATION

MOTOR DYNAMICS

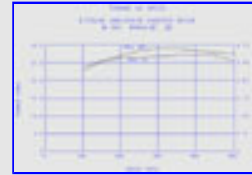
CLICK ON A THUMBNAIL TO MAGNIFY



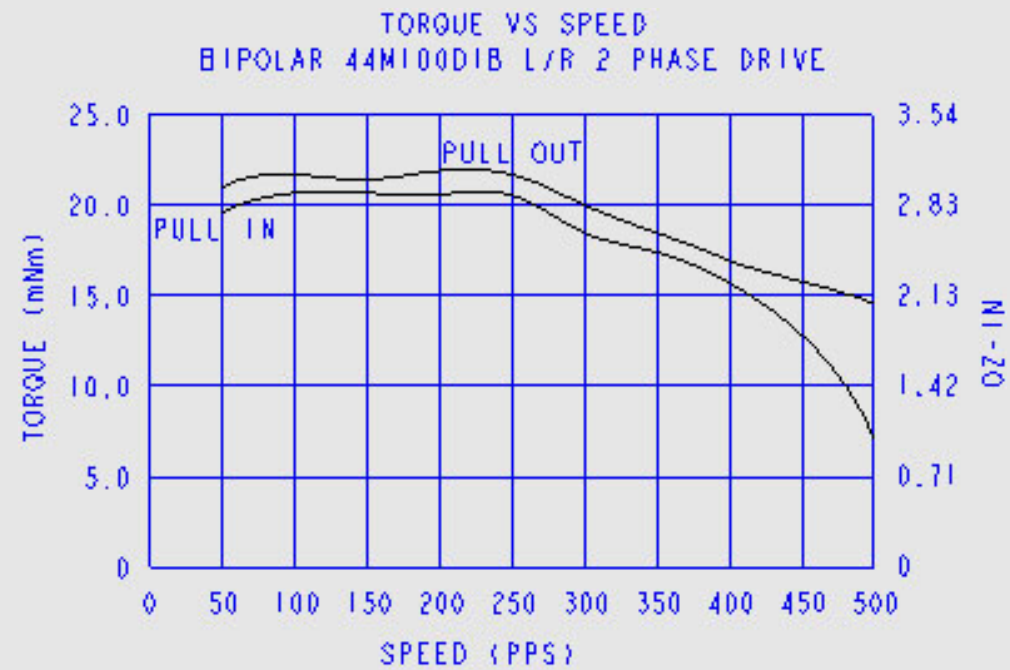
44M100D1B, Bipolar,
L/R Drive

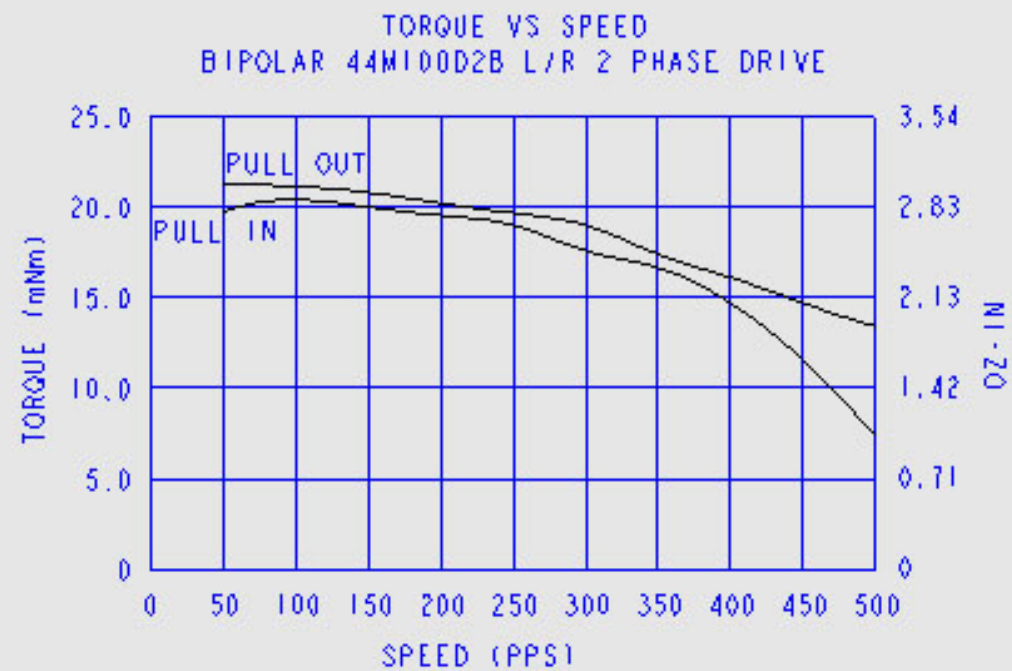


44M100D2B, Bipolar,
L/R Drive



44M100D1B, Bipolar,
Chopper Drive







TORQUE VS SPEED

BIPOLAR 44MI00DIB CHOPPER DRIVE
@ 36V, 400mA/Ø, 2Ø

