

阅读申明

- 1.本站收集的数据手册和产品资料都来自互联网，版权归原作者所有。如读者和版权方有任何异议请及时告之，我们将妥善解决。
- 2.本站提供的中文数据手册是英文数据手册的中文翻译，其目的是协助用户阅读，该译文无法自动跟随原稿更新，同时也可能存在翻译上的不当。建议读者以英文原稿为参考以便获得更精准的信息。
- 3.本站提供的产品资料，来自厂商的技术支持或者使用者的心得体会等，其内容可能存在描述上的差异，建议读者做出适当判断。
- 4.如需与我们联系，请发邮件到marketing@iczoom.com，主题请标有“数据手册”字样。

Read Statement

1. The datasheets and other product information on the site are all from network reference or other public materials, and the copyright belongs to the original author and original published source. If readers and copyright owners have any objections, please contact us and we will deal with it in a timely manner.
2. The Chinese datasheets provided on the website is a Chinese translation of the English datasheets. Its purpose is for reader's learning exchange only and do not involve commercial purposes. The translation cannot be automatically updated with the original manuscript, and there may also be improper translations. Readers are advised to use the English manuscript as a reference for more accurate information.
3. All product information provided on the website refer to solutions from manufacturers' technical support or users the contents may have differences in description, and readers are advised to take the original article as the standard.
4. If you have any questions, please contact us at marketing@iczoom.com and mark the subject with "Datasheets" .

AFBR-776BxxxZ and AFBR-786BxxxZ

Twelve-Channel Transmitter and Receiver

Pluggable, Parallel-Fiber-Optics Modules



Data Sheet

Description

The AFBR-776BxxxZ Twelve-Channel, Pluggable, Parallel-Fiber-Optics Transmitter and AFBR-786BxxxZ Twelve-Channel, Pluggable, Parallel-Fiber-Optics Receiver are high performance fiber optics modules for short-range parallel multi-lane data communication and interconnect applications. The modules operate at 6.25Gbps per channel over multimode fiber systems using a nominal wavelength of 850 nm. Aggregate bandwidth per transmitter-receiver link is 75G. The electrical interface uses a 10x10 MEG-Array® low-profile mezzanine connector. The optical interface uses a MTP® (MPO) 1x12 ribbon cable connector. The thermal interface can be a factory installed heatsink for air-cooled systems or thermal seating plane for user flexibility. The modules incorporate high performance, highly reliable, short wavelength optical devices coupled with proven circuit technology to provide long life and consistent service.

Applications

- High Performance and High Productivity computer interconnects
- InfiniBand 12X DDR SX interconnects
- Datacom switch and router backplane connections
- Telecom switch and router backplane connections
- Dense 4 Gbps Fibre Channel compatible architectures
- Reach extensions for various protocols including PCI Express, HyperTransport and Serial RapidIO

Part Number Ordering Options

Transmitter Part Numbers

AFBR-776BZ	With Fin heat sink / no EMI nose clip
AFBR-776BEZ	With Fin heat sink / EMI nose clip
AFBR-776BPZ	With Pin heat sink / no EMI nose clip
AFBR-776BEPZ	With Pin heat sink / EMI nose clip
AFBR-776BHZ	With no heat sink / no EMI nose clip
AFBR-776BEHZ	With no heat sink/ EMI nose clip

Receiver Part Numbers

AFBR-786BZ	With Fin heat sink / no EMI nose clip
AFBR-786BEZ	With Fin heat sink / EMI nose clip
AFBR-786BPZ	With Pin heat sink / no EMI nose clip
AFBR-786BEPZ	With Pin heat sink / EMI nose clip
AFBR-786BHZ	With no heat sink / no EMI nose clip
AFBR-786BEHZ	With no heat sink/ EMI nose clip

Features

- High Channel Capacity: 75 Gbps per module
- High port density: 19 mm lateral port pitch; < 0.51 mm/ Gbps for Tx–Rx pair
- Low power consumption per Gbps: < 53 mW/Gb/s for Tx–Rx pair
- Based on industry-standard, pluggable, SNAP12 form factor with upgraded pinout for improved signal integrity and keyed to prevent mis-plugging with first generation SNAP12 devices
- Backed by PPOD MSA to enable multiple sources of supply
- Twelve independent channels per module
- Separate transmitter and receiver modules
- 850 nm VCSEL array in transmitter; PIN array in receiver
- Operates up to 6.25 Gbps with 64b/66b compatible coded data
- Links up to 100 m at 6.25 Gbps with 2000 MHz-km 50 um MMF
- Two power supplies, 2.5 V and 3.3 V, for low power consumption
- Dedicated signals for module address, module reset and host interrupt.
- Two Wire Serial (TWS) interface with maskable interrupt for expanded functionality including:
 - o Individual channel functions: disable, squelch disable, lane polarity inversion, margin
 - o Programmable equalization integrated with DC blocking caps at transmitter data input
 - o Programmable receiver output swing and de-emphasis level
 - o A/D readback: module temperature and supply voltages, per channel laser current and laser power, or received power
 - o Status: per channel Tx fault, electrical (transmitter) or optical (receiver) LOS, and alarm flags
- 0 to 80 C case temperature operating range

Transmitter Module

The optical transmitter module (see Figure 1) incorporates a 12-channel VCSEL (Vertical Cavity Surface Emitting Laser) array, a 12-channel input buffer and laser driver, diagnostic monitors, control and bias blocks. The transmitter is designed for IEC-60825 and CDRH eye safety compliance; Class 1M out of the module. The Tx Input Buffer provides CML compatible differential inputs (presenting a nominal differential input impedance of 100 Ohms and a nominal common mode impedance to signal ground of 25 Ohms) for the high speed electrical interface that can operate over a wide common mode range without requiring DC blocking capacitors. For module control and interrogation, the control interface (LVTTTL compatible) incorporates a Two Wire Serial (TWS) interface of clock and data signals and dedicated signals for host interrupt, module address setting and module reset. Diagnostic monitors for VCSEL bias, light output (LOP), temperature, both supply voltages and elapsed operating time are implemented and results are available through the TWS interface.

Over the TWS interface, the user can, for individual channels, control (flip) polarity of the differential inputs, deactivate channels, place channels into margin mode, disable the squelch function and program input equalization levels to reduce the effect of long PCB traces. A reset for the control registers is available. Serial ID information and alarm thresholds are provided. To reduce the need for polling, the TWS interface is augmented with an interrupt signal for the host.

Alarm thresholds are established for the monitored attributes. Flags are set and interrupts generated when the attributes are outside the thresholds. Flags are also set and interrupts generated for loss of input signal (LOS) and transmitter fault conditions. All flags are latched and will remain set even if the condition initiating the latch clears and operation resumes. All interrupts can be masked and flags are reset by reading the appropriate flag register. The optical output will squelch for loss of input signal un-

less squelch is disabled. Fault detection or channel deactivation through the TWS interface will disable the channel. Status, alarm and fault information are available via the TWS interface. The interrupt signal (selectable via the TWS interface as a pulse or static level) is provided to inform hosts of an assertion of an alarm, LOS and/or Tx fault.

Receiver Module

The optical receiver module (see Figure 2) incorporates a 12-channel PIN photodiode array, a 12-channel pre-amplifier and output buffer, diagnostic monitors, control and bias blocks. The Rx Output Buffer provides CML compatible differential outputs for the high speed electrical interface presenting nominal single-ended output impedances of 50 Ohms to AC ground and 100 Ohms differentially that should be differentially terminated with 100 Ohms. DC blocking capacitors may be required. For module control and interrogation, the control interface (LVTTTL compatible) incorporates a Two Wire Serial (TWS) interface of clock and data signals and dedicated signals for host interrupt, module address setting and module reset. Diagnostic monitors for optical input power, temperature, both supply voltages and elapsed operating time are implemented and results are available through the TWS interface.

Over the TWS interface, the user can, for individual channels, control (flip) polarity of the differential outputs, deactivate channels, disable the squelch function, program output signal amplitude and de-emphasis and change receiver bandwidth. A reset for the control registers is available. Serial ID information and alarm thresholds are provided. To reduce the need for polling, the TWS interface is augmented with an interrupt signal for the host.

Alarm thresholds are established for the monitored attributes. Flags are set and interrupts generated when the attributes are outside the thresholds. Flags are also set and interrupts generated for loss of optical input signal (LOS).

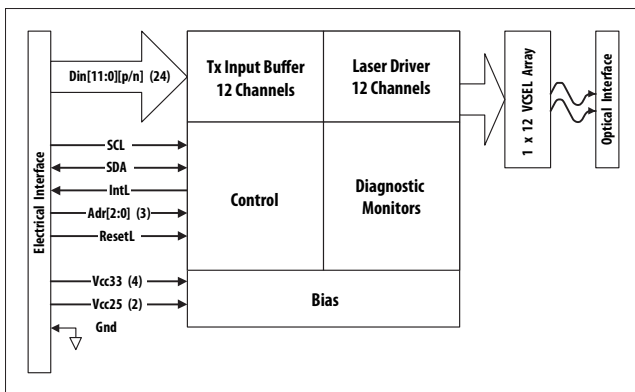


Figure 1. Transmitter Block Diagram

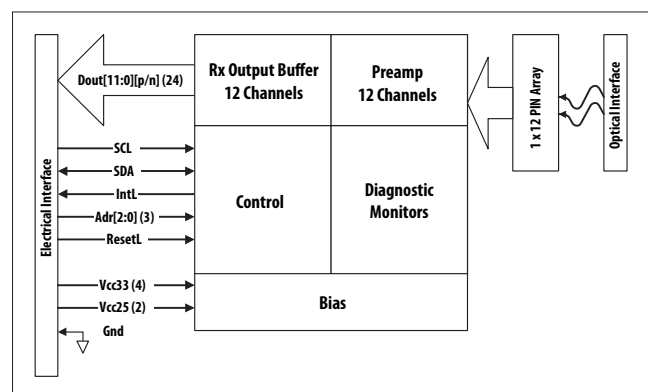


Figure 2. Receiver Block Diagram

All flags are latched and will remain set even if the condition initiating the latch clears and operation resumes. All interrupts can be masked and flags are reset upon reading the appropriate flag register. The electrical output will squelch for loss of input signal (unless squelch is disabled) and channel de-activation through TWS interface. Status and alarm information are available via the TWS interface. The interrupt signal (selectable via the TWS interface as a pulse or static level) is provided to inform hosts of an assertion of an alarm and/or LOS.

High Speed Signal Interface

Figure 3 shows the interface between an ASIC/SerDes and the fiber optics modules. For simplicity, only one channel is shown. As shown in the Figure 3, the compliance points are on the host board side of the electrical connectors. Sets of s-parameters are defined for the transmitter and receiver interfaces. The transmitter and receiver are designed, when operating within Recommended Operating Conditions, to provide a robust eye-opening at the receiver outputs. See the Recommended Operating Conditions and the Receiver Electrical Characteristics for details.

Unused inputs and outputs should be terminated with 100 Ω differential loads.

The transmitter inputs support a wide common mode range and DC blocking capacitors may not be needed – none are shown in Figure 3. Depending on the common mode range tolerance of the ASIC/SerDes inputs, DC blocking capacitors may be required in series with the receiver. Differential impedances are nominally 100 Ω. The common mode output impedance for the receiver is nominally 25 Ω while the nominal common mode input impedance of the transmitter is 25 Ω.

Transmitter Input Equalization

Transmitter inputs can be programmed for one of several levels of equalization. See Figure 4. The default case provides a flat gain-frequency response in the inputs. Different levels of compensation can be selected to equalize skin-effect losses across the host circuit board. See Tx Memory Map 01h Upper Page section addresses 228 - 233 for programming details.

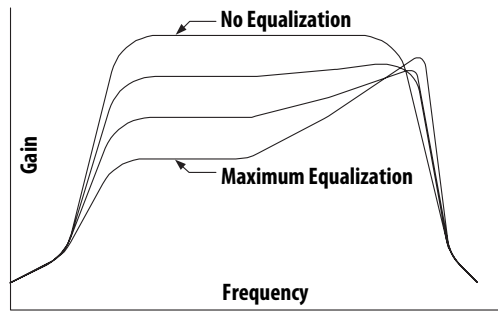


Figure 4. Input Equalization

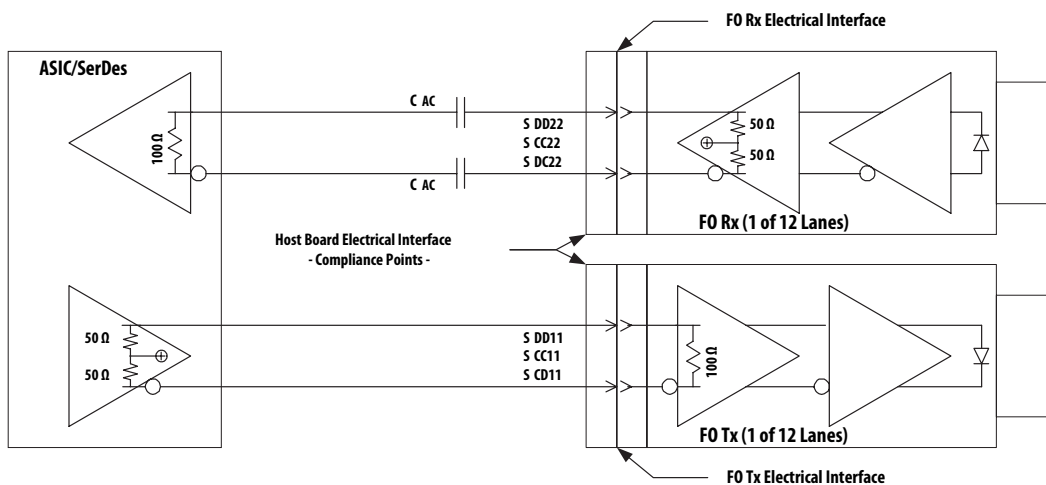


Figure 3. Application Reference Diagram

Receiver Output Amplitude and De-emphasis

Receiver outputs can be programmed to provide several levels of amplitude and de-emphasis. See Figure 5 for de-emphasis definition. The user can program for peak-to-peak amplitude and then a de-emphasis level. If zero de-emphasis is selected, then the signal steady state equals the peak-to-peak level. For other levels of de-emphasis the selected de-emphasis reduces the steady-state from the peak-to-peak level. The change from peak-to-peak level to steady-state occurs within a bit time. See Rx Memory Map 01h Upper Page section addresses 228 - 233 for amplitude programming details and addresses 234 - 239 for de-emphasis programming details.

Control Signal Interface

The control interface includes dedicated signals for address inputs, interrupt output and reset input and bidirectional clock and data lines for a two-wire serial access (TWS interface) to control and status and information registers. The TWS interface is compatible with industry standard two-wire serial protocol scaled for 3.3 volt LVTTTL. It is implemented as a slave device. Signal and timing characteristics are further defined in the Control Characteristics and Control Interface & Memory Map sections.

The registers of the serial interface memory are defined in the Control Interface & Memory Map section.

Regulatory & Compliance Issues

Various standard and regulations apply to the modules. These include eye-safety, EMC, ESD and RoHS. See the Regulatory Section for details regarding these and component recognition. Please note the transmitter module is a Class 1M laser product – DO NOT VIEW RADIATION DIRECTLY WITH OPTICAL INSTRUMENTS. See Regulatory Compliance Table for details.

Package Outline

The module is designed to meet the package outline defined in the PPOD MSA. This MSA follows the outline of the SNAP12 MSA except for the position of the MEG-Array® connector and pin assignments. See the package outline and host board footprint figures (Figures 23 -26) for details.

Handling and Cleaning

The transmitter and receiver modules can be damaged by exposure to current surges and over voltage events. Care should be taken to restrict exposure to the conditions defined in the Absolute Maximum Ratings. Wave soldering, reflow soldering and/or aqueous wash process with the modules on board are not recommended. Normal handling precautions for electrostatic discharge sensitive devices should be observed.

Each module is supplied with an inserted port plug for protection of the optical ports. This plug should always be in place whenever a fiber cable is not inserted.

The optical connector includes recessed elements that are exposed whenever a cable or port plug is not inserted. Prior to insertion of a fiber optic cable, it is recommended that the cable end be cleaned to avoid contamination from the cable plug. The port plug ensures the optics remain clean and no addition cleaning should be needed. In the event of contamination, dry nitrogen or clean dry air at less than 20 psi can be used to dislodge the contamination. The optical port features (e.g. guide pins) preclude use of a solid instrument. Liquids are also not advised.

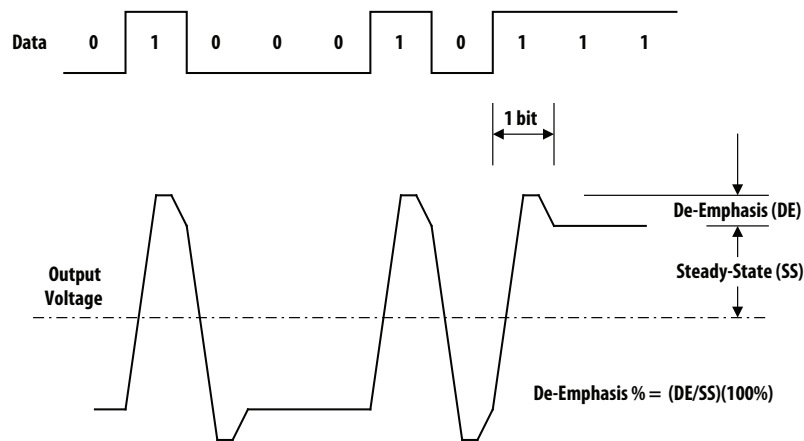


Figure 5. Definition of De-emphasis and Steady State

Link Model and Reference Channel

Performance specifications for the AFBR-776BxxxZ Transmitter and AFBR-786BxxxZ Receiver are based on a reference channel model. A reference channel model provides the basis for inter-operability between independently produced transmitter and receiver modules. The reference model used for the AFBR-776BxxxZ Transmitter and AFBR-786BxxxZ Receiver is based on the industry standard 10GbE link model (10GEPBud3_1_16a.xls available at the IEEE P802.3ae 10Gb/s Ethernet Task Force Serial PMD Documents website http://www.ieee802.org/3/ae/public/adhoc/serial_pmd/documents/).

As shown in Figure 6, a channel for a fiber optic link comprises a transmitter, receiver and cable plant with inputs at test point TP1 and outputs at test point TP4. The test points TP1 and TP4 coincide with the compliance points defined in Figure 3. The cable plant here includes the fiber and two inline connectors.

A reference channel permits the effect of various channel attributes to be referred to different points in the channel and accumulated. For example, in the GbE (All_1250.xls available at the IEEE website http://grouper.ieee.org/groups/802/3/10G_study/public/email_attach/All_1250.xls) and 10 GbE models all signal impairments are captured and translated into power penalties. Also, the effect of transmitter and fiber attributes are also captured and referred to TP3 to define stressed receiver test criteria. Similarly, all effects upstream of TP4 can be captured and referred to TP4 and combined at this point into a figure of merit. Since the signal at TP4 is electrical and not optical there are advantages for this.

To ensure inter-operability among independently produced transmitters and receivers, definition of acceptable devices is required. This can be accomplished on an individual parameter basis by setting min/max limits or with aggregates of attributes by establishing a figure of merit. Referring again to the 10GbE link model, the entity 'margin at target distance' is an aggregate figure of merit of all link

attributes. There a set of link attributes will yield a specific link margin and a worst case set of link attributes can be defined for a minimum level of performance. Instead of placing a maximum or minimum limit on each attribute, it is possible to allow elements in the set to shift (i.e. tradeoff with others within the set) as long as the desired margin is achieved. Further, if 'margin at target distance' can be translated into eye opening at TP4, the aggregate figure of merit is directly measurable. To preserve independence for transmitter, receiver and fibers, it is required that transmitter attributes only trade-off with other transmitter attributes and, similarly, receiver attributes can only trade-off with other receiver attributes.

In this data sheet, a minimum eye width at TP4 for a specified maximum BER is the figure of merit used to define acceptable link performance. Additional inputs and calculations have been added to the 10GbE link model to calculate eye closure and the effects of all impairments are referred to TP4 and combined as elements of eye closure. The minimum eye width at TP4 is included in tables, Transmitter Optical Characteristics and Receiver Electrical Characteristics, as minimum "Reference Link Output Eye Width".

Note:

1. The Recommended Operating Conditions table and those for transmitter and receiver characteristics provide the necessary attributes to define the worst case set for the reference channel. Various elements of this worst case set are labeled 'Informative' and are allowed to range outside the maximum or minimum limit for the individual element when there is a compensating improvement in others of the worst case subset. Transmitter attribute tradeoffs are limited to the transmitter subset and receiver tradeoffs are limited to the receiver subset.

The following two tables summarizes the practical trade-offs between different informative transmitter parameters, as well as different informative receiver parameters, respectively. Although the wavelength and spectral width can also trade off with each other, they are not included here for interoperability reason.

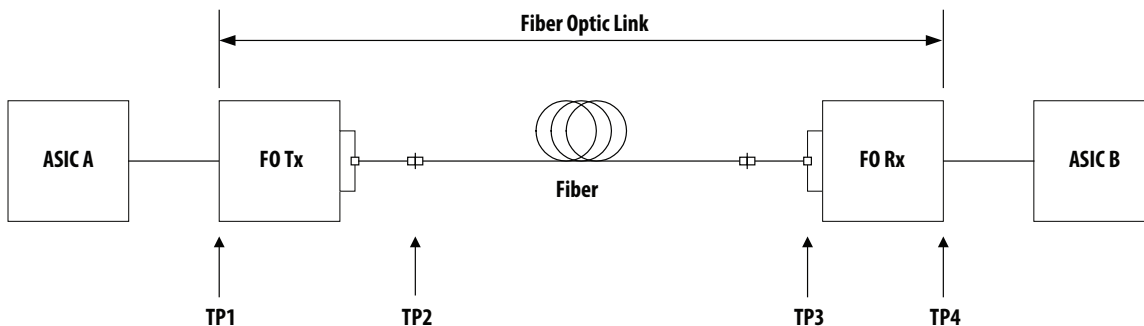


Figure 6. Fiber Optic Link

Informative TX parameters trading off each other while guaranteeing TP2 & TP4 performance

Parameter	Symbol
Extinction Ratio	ER
Output Optical Modulation Amplitude	OMA
Output Rise/Fall Time	
Relative Intensity Noise OMA	RIN _{12OMA}
Contributed Portion of Accumulated Deterministic Jitter	
Contributed Portion of Accumulated Total Jitter	

Informative RX parameters trading off each other while guaranteeing TP4 performance

Parameter	Symbol
Receiver Bandwidth (BW)	
Input Optical Power Sensitivity (OMA)	
Contributed Portion of Accumulated Deterministic Jitter	
Contributed Portion of Accumulated Total Jitter	

The reference model for testing transmitters consists of a pattern generator, fiber optic test cable, attenuator, test receiver and BERT. See Figure 7 for the evolution of a reference channel to a transmitter test channel. Differences between the worst case values for attributes in the reference model and those in the test equipment set can be compensated by an added attenuator (note that the 10GbE model translates all impairments into power penalties) and adjustments in TJ criteria at TP4. Differences in the TP1 input jitter between the defined conditions, TJ_r and DJ_r, for the reference channel and actually provided in the test channel, TJ_t and DJ_t, can also be accommodated by adjustments to TP4 test criteria (TJ_r becomes TJ_t). The extended 10GbE Link model is used to determine the compensating attenuation and TP4 criteria adjustments.

The reference for testing receivers consists of a pattern generator, test transmitter, fiber optic test cable, attenuator and BERT. See Figure 8 for the evolution of a reference channel to a receiver test channel. In a similar manner as with the transmitter, all differences between the test equipment and worst case channel are compensated with an attenuator and adjustments in the TP4 criteria.

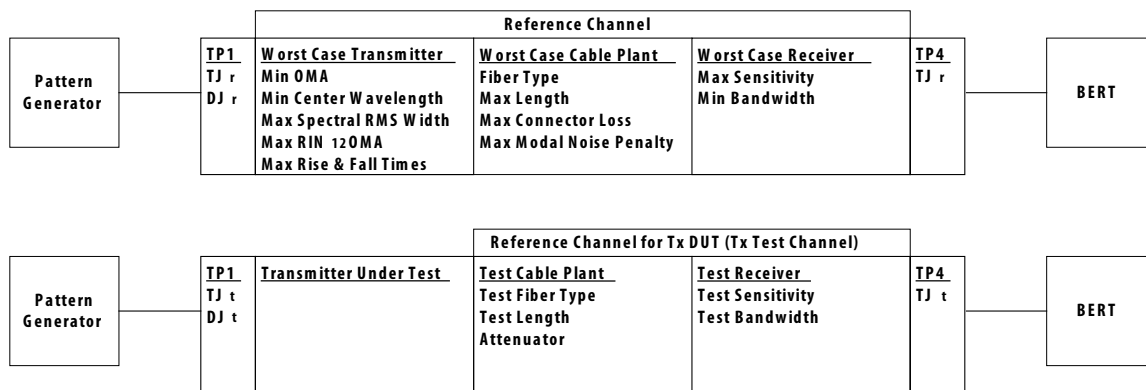


Figure 7. Reference and Test Channels for Transmitter

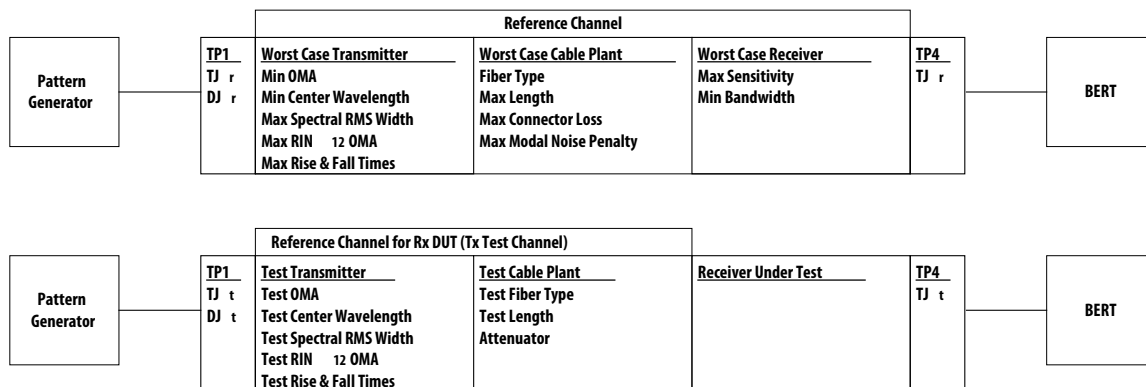


Figure 8. Reference and Test Channels for Receiver

Absolute Maximum Ratings

Stress in excess of any of the individual Absolute Maximum Ratings can cause immediate catastrophic damage to the module even if all other parameters are within Recommended Operation Conditions. It should not be assumed that limiting values of more than one parameter can be applied to the module concurrently. Exposure to any of the Absolute Maximum Ratings for extended periods can adversely affect reliability.

Parameter	Symbol	Min	Max	Units	Notes
Storage Temperature	T_s	-40	100	°C	
Case Temperature - Operating	$T_{C\ AMR}$	-20	90	°C	1
2.5 V Power Supply Voltage	V_{CC25}	-0.5	3.0	V	
3.3 V Power Supply Voltage	V_{CC33}	-0.5	3.6	V	
Data Input Voltage – Single Ended		-0.5	$V_{CC33+0.5}$, $V_{CC25+0.5}$	V	2
Data Input Voltage – Differential	$ V_{DIP} - V_{DIN} $		1.0	V	3
Control Input Voltage	V_i	-0.5	$V_{CC33+0.5}$, 3.6	V	4
Control Output Current	I_o	-20	20	mA	
Relative Humidity	RH	5	95	%	

Notes:

1. The position for case temperature measurement is shown in Figure 11. Operation at or above the maximum Absolute Maximum Case Temperature for extended periods may adversely affect reliability. Optical and electrical characteristics are not defined for operation outside the Recommended Operating Conditions.
2. The maximum limit is the lesser of $V_{CC33} + 0.5\text{ V}$ or $V_{CC25} + 0.5\text{ V}$.
3. This is the maximum voltage that can be applied across the differential inputs without damaging the input circuitry.
4. The maximum limit is the lesser of $V_{CC33} + 0.5\text{ V}$ or 3.6 V.

Recommended Operating Conditions

Recommended Operating Conditions specify parameters for which the optical and electrical characteristics hold unless otherwise noted. Optical and electrical characteristics are not defined for operation outside the Recommended Operating Conditions, reliability is not implied and damage to the module may occur for such operation over an extended period of time.

Parameter	Symbol	Min	Typ	Max	Units	Reference
Case Temperature	T _c	0	40	80	°C	
2.5 V Power Supply Voltage	V _{cc25}	2.375	2.5	2.625	V	Figures 12, 13
3.3 V Power Supply Voltage	V _{cc33}	3.135	3.3	3.465	V	Figures 12, 13
Signal Rate per Channel		2.5		6.25	GBd	
Data Input Differential Peak-to-Peak Voltage Swing	$\Delta V_{DI\ pp}$	175		1400	mVpp	3, Figure 14
Data Input Common Mode Voltage	V _{DI_{CM}}	0.35		V _{cc33} -0.35	V	4
Data Input Rise & Fall Times (20% - 80%)		30		48	ps	
Data Input Deterministic Jitter				24	ps	5
Data Input Total Jitter				48	ps	6
Control* Input Voltage High	V _{ih}	2		V _{cc33}	V	
Control* Input Voltage Low	V _{il}	GND		0.8	V	
Two Wire Serial Interface Clock Rate				400	kHz	Figure 17
Reset Pulse Width	t _{RSTL PW}	10			μs	Figure 19
Power Supply Noise				100	mVpp	7500 Hz to 2.7 GHz
Receiver Differential Data Output Load			100		Ohms	Figure 3
AC Coupling Capacitors – Receiver Data Outputs	C _{ac}		0.1		μF	8, Figure 3
Fiber Length: 500 MHz-km 50μm MMF		0.5		50	m	9
Fiber Length: 2000 MHz-km 50μm MMF		0.5		100	m	

Notes:

* Control signals, LVTTTL (3.3 V) compatible, include Adr[2:0], IntL, ResetL, SCL and SDA.

- The position for case temperature measurement is shown in Figure 11. Continuous operation at the maximum Recommended Operating Case Temperature should be avoided in order not to degrade reliability. Modules will function (degraded performance may result) where operated with case temperatures below the minimum Recommended Operating Case Temperature.
- While operation for various codes, e.g. 8b10b and 64b66b, are supported, certain parameters, jitter and sensitivity, are defined for specific operating conditions of 6.25 GBd and 64b66b equivalent test patterns. The receiver has a low frequency -3dB corner near 100 kHz.
- Data inputs are CML compatible. Minimum input requirement holds for default input equalization settings. Data Input Differential Peak to Peak Voltage Swing is defined as follows: $\Delta V_{DI\ pp} = \Delta V_{DIH} - \Delta V_{DIL}$ where ΔV_{DIH} = High State Differential Data Input Voltage and ΔV_{DIL} = Low State Differential Data Input Voltage.
- Data Input Common Mode Voltage is defined as follows: $V_{DI\ CM} = (V_{Dinp} + V_{Dinn})/2$.
- Deterministic Jitter, D_J, conforms to the dual-Dirac model where $T_{J(BER)} = DJ + 2Q(BER)R_{J\ rms}$ and R_{J_{rms}} is the width of the Gaussian component. Here BER = 10⁻¹². D_J is measured with the same conditions as T_J. Effects of impairments in the test signal due to the test system are removed from the measurement. All channels not under test are operating with similar test patterns.
- Total Jitter, T_J, defined for a BER of 10⁻¹², is measured at the 50% signal level using test pattern 2 defined in IEEE P802.3ae clause 52.9.1 operating at 6.25 GBd, or equivalent, test pattern. Effects of impairments in the test signals due to the test system are removed from the measurement. All channels not under test are operating with similar test patterns.
- Power Supply Noise is defined as the peak-to-peak noise amplitude over the frequency range at the host supply side of the recommended power supply filter with the module and recommended filter in place. Voltage levels including peak-to-peak noise are limited to the recommended operating range of the associated power supply. See Figures 12 and 13 for recommended power supply filters.
- For data pattern with restricted run lengths and disparity, e.g. 8b10b, smaller value capacitors may provide acceptable results.
- Channel insertion loss includes 3.5 dB/km attenuation, 1.5 dB connector loss and 0.3 dB modal noise penalty allocations.

Transmitter Electrical Characteristics*

The following characteristics are defined over the Recommended Operating Conditions unless otherwise noted. Typical values are for $T_c = 40^\circ\text{C}$, $V_{cc33} = 3.3\text{ V}$ and $V_{cc25} = 2.5\text{ V}$.

Parameter	Symbols	Min	Typ	Max	Units	Reference
Power Consumption				2.4	W	
Power Supply Current - Vcc25				370	mA	1
Power Supply Current - Vcc33				425	mA	2
Differential Input Impedance		80		120	Ω	Informative
Differential Input Reflection Coefficient	S_{DD11}		-8		dB	3, Figure 3
Common Mode Input Reflection Coefficient	S_{CC11}		-6		dB	4, Figure 3
Differential to CM Input Reflection Coefficient	S_{CD11}		-35		dB	5, Figure 3
LOS Assert Threshold: Tx Data Input Differential Peak-to-Peak Voltage Swing	$\Delta V_{DI\ PP\ LOS}$	58	120	156	mVpp	
LOS Hysteresis: Tx Data Input		1		4	dB	6
Power On Initialization Time	$t_{PWR\ INIT}$			2000	ms	7, Figure 18

Notes:

* For control signal timing including $Adr[2:0]$, $IntL$, $ResetL$, SCL and SDA see Control Characteristics: Transmitter/Receiver.

1. Supply current includes that of all V_{cc25} contacts.
2. Supply current includes that of all V_{cc33} contacts.
3. Measured over the range 100 MHz to 3.75 GHz with reference differential impedance of $100\ \Omega$
4. Measured over the range 100 MHz to 3.75 GHz with reference common mode impedance of $25\ \Omega$
5. Measured over the range 100 MHz to 3.75 GHz with reference differential impedance of $100\ \Omega$
6. LOS Hysteresis is defined as $20\ \text{Log}(\text{LOS De-assert Level} / \text{LOS Assert Level})$.
7. Power On Initialization Time is the time from when the supply voltages reach and remain above the minimum Recommended Operating Conditions to the time when the module enables TWS access. The module at that point is fully functional.

Receiver Electrical Characteristics*

The following characteristics are defined over the Recommended Operating Conditions unless otherwise noted. Typical values are for $T_c = 40^\circ\text{C}$, $V_{cc33} = 3.3\text{ V}$ and $V_{cc25} = 2.5\text{ V}$.

Parameter	Symbol	Min	Typ	Max	Units	Reference
Power Consumption				2	W	1
Power Supply Current (V_{cc25})				670	mA	2
Power Supply Current (V_{cc33})				200	mA	3
Data Output Differential Peak-to-Peak Voltage Swing (Zero De-emphasis)	$\Delta V_{DO\ pp}$	775	850	925	mVpp	4, Figure 14, 100 Ω Load Full Scale Setting
		415	490	565		Default Amplitude Setting
Data Output Common Mode Voltage	$V_{DO\ CM}$	1.785		2.540	V	5, Figure 14, Over Amplitude Setting Range
Data Output Off State Differential Voltage	$\Delta V_{DO\ OFF}$			20	mVpp	
Data Output Off Common Mode Voltage	$V_{DO\ OFF\ CM}$			V_{cc25}	V	
Output Rise/Fall time (20-80%)				80	ps	6
Receiver BW		3.125			GHz	Informative, Linear stages, Default Rate Select
LOS to Data Output Squelch Assert Time	$t_{SQ\ ON}$			80	μs	7, Figure 22
Data Output Squelch De-assert Time	$t_{SQ\ OFF}$			300	μs	8, Figure 22
Reference Link Output Deterministic Jitter				58	ps	9, Informative
Reference Link Output Total Jitter				112	ps	10
Reference Link Output Eye Width	$t_{EYE\ LINK}$	48			ps	11
Differential Output Impedance		80		120	Ω	Informative
Differential Output Reflection Coefficient	S_{DD22}		-10		dB	12, Figure 3
Common Mode Output Reflection Coefficient	S_{CC22}		-8		dB	13, Figure 3
CM to Differential Output Reflection Coefficient	S_{DC22}		-35		dB	14, Figure 3
Power On Initialization Time	$t_{PWR\ INIT}$			2000	ms	15, Figure 18
Inter-channel Skew				150	ps	16
Rx Input-Output Latency				600	ps	Informative

Notes:

- * For control signal timing including ADr[2:0], IntL, ResetL, SCL and SDA see Control Characteristics: Transmitter/Receiver.
- 1. Max conditions includes default output amplitude and de-emphasis programming.
- 2. Supply current includes that of all Vcc25 contacts. Max conditions include maximum output amplitude and de-emphasis programming.
- 3. Supply current includes that of all Vcc33 contacts. Max conditions include maximum output amplitude and de-emphasis programming.
- 4. Data outputs are CML compatible. Data Output Differential Peak to Peak Voltage Swing is defined as follows: $\Delta V_{DO\ pp} = \Delta V_{DOH} - \Delta V_{DOL}$ where ΔV_{DOH} = High State Differential Data Output Voltage and ΔV_{DOL} = Low State Differential Data Output Voltage. Impairments in measurements due to the test system are removed.
- 5. Data Output Common Mode Voltage is defined as follows: $V_{DO\ CM} = (V_{Doutp} + V_{Doutn})/2$.
- 6. These are unfiltered rise and fall times without de-emphasis measured between the 20% and 80% levels using a 500 MHz square wave test pattern. Impairments in measurements due to the test system are removed.
- 7. This is the module response time from fall of Rx input to less than Rx input LOS threshold to squelch of Rx outputs.
- 8. This is the module response time from rise of Rx input to greater than Rx input LOS threshold to resumption of Rx outputs.
- 9. Deterministic Jitter, D_J , conforms to the dual-Dirac model where $T_{J(BER)} = D_J + 2Q(BER)R_{Jrms}$ and R_{Jrms} is the width of the Gaussian component. Here $BER = 10^{-12}$. D_J is measured with the same conditions as T_J . The receiver output is measured with default de-emphasis. Effects of impairments in the test signals due to the test system are removed from the measurement. All channels not under test are operating with test patterns at an input signal 6 dB above maximum Receiver Sensitivity.
- 10. Total Jitter, T_J , defined for BER of 10^{-12} , is measured at the 50% signal level using test pattern 2 defined in IEEE P802.3ae clause 52.9.1 operating at 6.25 GBd, or equivalent, test pattern with characteristics that are equivalent to that of an AFBR 776B transmitter module and maximum cable length operating per the Recommended Operation Conditions as the test source. Effects of impairments in the test signals due to the test system are removed from the measurement. All channels not under test are operating with similar test patterns.
- 11. Eye Opening is defined as the unit interval less T_J for the same test pattern and conditions as T_J .
- 12. Measured over the range 100 MHz to 3.75 GHz with reference differential impedance of 100 Ω
- 13. Measured over the range 100 MHz to 3.75 GHz with reference common mode impedance 25 Ω
- 14. Measured over the range 100 MHz to 3.75 GHz with reference differential impedance 100 Ω
- 15. Power On Initialization Time is the time from when the supply voltages reach and remain within Recommended Operating Conditions to the time when the module enables TWS access. The module at that point is fully functional.
- 16. Inter-Channel Skew is defined for the condition of equal amplitude, zero ps skew input signals.

Control Characteristics: Transmitter/Receiver

The following characteristics are defined over the Recommended Operating Conditions unless otherwise noted. Typical values are for $T_c = 40^\circ\text{C}$, $V_{cc33} = 3.3\text{ V}$ and $V_{cc25} = 2.5\text{ V}$.

Parameter	Symbol	Min	Typ	Max	Units	Reference
Control* Input Voltage Hysteresis LVTTTL	V_{hys}		0.4		V	
Control* Input Current LVTTTL	I_{in}	-125		125	μA	$0\text{ V} < V_{in} < V_{cc33}$
Control* Output Voltage Low LVTTTL	V_{ol}			0.4	V	$I_{ol} = 2\text{mA}$
Control* Output Current High-Z	I_{oh}	-10		10	μA	$0\text{ V} < V_{in} < V_{cc33}$
Address Assert Time				100	ms	1
Interrupt Assert Time	$t_{INTL\ ON}$			200	ms	2, Figure 20
Interrupt Pulse Width	$t_{INTL\ PW}$	5			μs	3, Figure 20
Interrupt De-assert Time	$t_{INTL\ OFF}$			500	μs	4, Figure 20
Reset Assert Time	$t_{RSTL\ ON}$			100	μs	5, Figure 19
Reset De-assert Time	$t_{RSTL\ OFF}$			2000	ms	6, Figure 19
Initialization Time TWS Interfaces				2000	ms	Figure 18
TWS Data In Set Up Time	$t_{SU:SDA}$			0.10	μs	7, Figure 17
TWS Data In Hold Time	$t_{HD:SDA}$			0	μs	8, Figure 17
TWS Clock Low to Data Out Valid	t_{AA}	0.10		0.90	μs	9, Figure 17
TWS Data Out Hold Time	t_{DH}	50			ns	10, Figure 17
TWS Data Output Rise Time	$t_{r\ SDA}$			0.30	μs	Figure 17, Measured between 0.8V and 2.0V
TWS Data Output Fall Time	$t_{f\ SDA}$			0.30	μs	
TWS Interface Timing						See Atmel Two-Wire Serial EEPROM, e.g. AT24C01A Note exception to write cycle time
TWS Write Cycle Time	t_{ws}	40			ms	

Notes:

* Control signals include $Adr[2:0]$, $IntL$, $ResetL$, SCL and SDA .

1. This is the module response time from a change in module address, $Adr[2:0]$, to response to TWS communication using the new address.
2. This is the module response time from occurrence of interrupt generating event to $IntL$ assertion, $V_{out:IntL} = V_{ol}$.
3. Pulse or static level can be selected for $IntL$. Pulse mode is default. See Memory Map.
4. This is the module response time from clear on read operation, measured from falling SCL edge after stop bit of read transaction, until $V_{out:IntL} = V_{oh}$ where $IntL$ is in static mode.
5. Assertion of $ResetL$ activates a complete module reset, i.e. module returns to factory default and non-volatile control settings. While $ResetL$ is Low, Tx and Rx outputs are disabled and the module does not respond to the TWS interface.
6. This is the response time from $ResetL$ de-assertion to resumption of operation.
7. Data In Set Up Time is measured from $V_{il(max)SDA}$ or $V_{ih(min)SDA}$ to $V_{il(max)SCL}$.
8. Data In Hold Time is measured from $V_{il(max)SCL}$ to $V_{il(max)SDA}$ or $V_{ih(min)SDA}$.
9. Clock Low to Data Out Time is measured from $V_{il(max)SCL}$ to $V_{ol(max)SDA}$ or $V_{oh(min)SDA}$.
10. Data Out Hold Time is measured from $V_{il(max)SCL}$ to $V_{ol(max)SDA}$ or $V_{oh(min)SDA}$.

Transmitter Optical Characteristics

The following characteristics are defined over the Recommended Operating Conditions unless otherwise noted. Typical values are for $T_c = 40^\circ\text{C}$, $V_{cc33} = 3.3\text{ V}$ and $V_{cc25} = 2.5\text{ V}$.

Parameter	Symbol	Min	Typ	Max	Units	Reference
Output Optical Power: Average	PO AVE			-1.5	dBm	
Output Optical Power: Disabled	PO OFF			-30	dBm	
Extinction Ratio	ER	3			dB	Informative
Output Optical Modulation Amplitude	OMA	-5.25			dBm	Informative
Output OMA: Squelched				-27	dBm	
Encircled Flux						1
Center Wavelength		830		860	nm	
Spectral Width - rms				0.85	nm	
Output Rise/Fall Time				50	ps	2, Informative
Power On Initialization Time Tx Outputs	$t_{\text{PWR INIT}}$			2000	ms	Figure 18
Reset Assert Time Tx Outputs	$t_{\text{RSTL ON}}$			2000	ms	Figure 19
Reset De-assert Re-initialization Time Tx Outputs	$t_{\text{RSTL OFF}}$			2000	ms	Figure 19
Output Disable Assert Time for Fault	$t_{\text{DIS ON}}$			100	ms	Figure 21
Output Squelch Assert Time for LOS	$t_{\text{SQ ON}}$			80	μs	Figure 22
Output Squelch De-assert Time for LOS	$t_{\text{SQ OFF}}$			80	μs	Figure 22
Inter-channel Skew				150	ps	3
Channel Latency			400		ps	Informative
Relative Intensity Noise OMA	RIN12OMA			-124	dB/Hz	Informative
Accumulated Deterministic Jitter				46	ps	4, Informative
Accumulated Total Jitter				87	ps	5, Informative
Reference Link Output Eye Width	$t_{\text{EYE REF}}$	48			ps	

Notes:

1. The transmitter launch condition meets the requirements of 10 Gigabit Ethernet multimode fiber as detailed in TIA 492AAC.
2. These are unfiltered rise and fall times measured between the 20% and 80% levels using a 500 MHz square wave test pattern. Impairments in measurements due to the test system are removed.
3. Inter-Channel Skew is defined for the condition of equal amplitude, zero ps skew input signals.
4. Deterministic Jitter, DJ, conforms to the dual-Dirac model where $T_{J(\text{BER})} = DJ + 2Q(\text{BER})RJ_{\text{rms}}$ and RJ_{rms} is the width of the Gaussian component. Here $\text{BER} = 10^{-12}$. DJ is measured with the same conditions as T_J . Effects of impairments in the test signals due to the test system are removed from the measurement. All channels not under test are operating with similar test patterns.
5. Total Jitter, T_J , defined for BER of 10^{-12} , is measured at the 50% signal level using test pattern 2 defined in IEEE P802.3ae clause 52.9.1 operating at 6.25 GBd, or equivalent, test pattern with test source characteristics per the Recommended Operation Conditions. Effects of impairments in the test signals due to the test system are removed from the measurement. All channels not under test are operating with similar test patterns.
6. Eye Opening is defined as the unit interval less T_J for the same test pattern and conditions as T_J . Measurement is made at the output, TP4, of the Reference Channel. See Link Model and Reference Channel section and Receiver Electrical Characteristics.

Receiver Optical Characteristics

The following characteristics are defined over the Recommended Operating Conditions unless otherwise noted. Typical values are for $T_c = 40^\circ\text{C}$, $V_{cc33} = 3.3\text{ V}$ and $V_{cc25} = 2.5\text{ V}$.

Parameter	Symbol	Min	Typ	Max	Units	Reference
Input Optical Power Sensitivity (OMA)				-13.85	dBm	1, Informative, Default Signal Rate
Input Optical Power Saturation	$P_{SAT\ AVE}$	-1.0			dBm	2
Operating Center Wavelength		830		860	nm	
Return Loss		12			dB	
LOS Asserted Threshold - OMA	$P_{LOS\ OMA}$	-26	-19		dBm	
LOS De-asserted - OMA			-17	-12	dBm	
LOS Hysteresis		0.5	2		dB	3

Notes:

1. Sensitivity is defined as the input OMA needed to produce a $BER \leq 10^{-12}$ at the center of the signal period using a 5.0 GBd Pseudo Random Bit Sequence of length 27^{-1} (PRBS7), or equivalent, test pattern. Effects of impairments in the test signal due to the test system are removed from the measurement. All channels not under test are operating with similar test patterns and input signals 6 dB above PIN MIN.
2. Saturation is defined as the average input power ($ER = 6\text{ dB}$) that at the receiver output produces an eye width less than the Reference Link Output Eye Width Minimum ($t_{EYE\ LINK}$) for a $BER \leq 10^{-12}$ using a 5.0 GBd Pseudo Random Bit Sequence of length 27^{-1} (PRBS7), or equivalent, test pattern. Effects of impairments in the test signal due to the test system are removed from the measurement.
3. Signal Detect Hysteresis is defined as $10\text{ Log}(\text{LOS De-assert Level} / \text{LOS Assert Level})$ than the Reference Link Output Eye Width Minimum ($t_{EYE\ LINK}$) for a $BER \leq 10^{-12}$ using a 5.0 GBd Pseudo Random Bit Sequence of length 27^{-1} (PRBS7), or equivalent, test pattern. Effects of impairments in the test signal due to the test system are removed from the measurement.
Signal Detect Hysteresis is defined as $10\text{ Log}(\text{LOS De-assert Level} / \text{LOS Assert Level})$.

Regulatory Compliance Table

Feature	Test Method	Performance
Electrostatic Discharge (ESD) to the Electrical Contacts	JEDEC Human Body Model (HBM) (JESD22-A114-B) JEDEC Machine Model (MM) (JESD22-A115-A)	Transmitter module withstands minimum 2000 V Receiver module withstands minimum 2000 V Transmitter module withstands minimum 100 V Receiver module withstands minimum 100 V
Electrostatic Discharge (ESD) to Optical Connector Receptacle	Variation of IEC 61000-4-2	Typically withstands at least 6 kV air discharge with module biased
Electromagnetic Interference (EMI)	FCC Part 15 CENELEC EN55022 (CISPR 22A) VCCI Class 1	Typically passes with 10 dB margin. Actual performance dependent on enclosure design.
Immunity	Variation of IEC 61000-4-3	Typically minimal effect from a 10 V/m field swept from 80 MHz to 1 GHz applied to the module without a chassis enclosure.
Laser Eye Safety and Equipment Type Testing	IEC 60825-1 Amendment 2 CFR 21 Section 1040	Pout: IEC AEL & US FDA CDRH Class 1M CDRH Accession Number: 9720151-074 TUV Certificate Number: 72060862
Component Recognition	Underwriters Laboratories and Canadian Standards Association Joint Component Recognition for Information Technology Equipment including Electrical Business Equipment	UL File Number: E173874
RoHS Compliance		Less than 100 ppm of cadmium, lead, mercury, hexavalent chromium, polybrominated biphenyls, and polybrominated biphenyl esters.

Transmitter Module Contact Assignment and Signal Description

Optical Connector Side

	1	2	3	4	5	6	7	8	9	10
A	Adr2	GND	GND	GND	GND	GND	GND	GND	GND	IntL
B	Adr1	GND	Din1p	GND	Din4p	GND	Din8n	GND	Din11n	GND
C	Adr0	GND	Din1n	GND	Din4n	GND	Din8p	GND	Din11p	GND
D	GND	Din0p	GND	Din3p	GND	Din6n	GND	Din10n	GND	SDA
E	GND	Din0n	GND	Din3n	GND	Din6p	GND	Din10p	GND	SCL
F	ResetL	GND	Din2p	GND	Din5n	GND	Din7n	GND	Din9p	GND
G	DNC	GND	Din2n	GND	Din5p	GND	Din7p	GND	Din9n	GND
H	DNC	DNC	GND	DNC	GND	DNC	GND	DNC	GND	DNC
J	GND	GND	GND	DNC	DNC	DNC	DNC	GND	GND	GND
K	Vcc25	Vcc33	Vcc33	DNC	DNC	DNC	DNC	Vcc33	Vcc33	Vcc25

Figure 9. Host Board Pattern for Transmitter Connector – Top View

Signal Name	Signal Description	I/O	Type
Adr[2:0]	TWS Module Bus Address bits: Address has the form 0101hjkx where Adr2, Adr1 & Adr0 correspond to h, j & k respectively and x corresponds to the R/W command.	I	3.3V LVTTTL
Din[11:0]p	Transmitter Data Non-inverting Input for channels 11 through 0	I	CML
Din[11:0]n	Transmitter Data Inverting Input for channels 11 through 0	I	CML
DNC	Reserved – Do Not Connect to any electrical potential on Host PCB		
GND	Signal Common: All module voltages are referenced to this potential unless otherwise stated. Connect these pins directly to the host board signal ground plane.		
IntL	Interrupt signal to Host, Asserted Low: An interrupt is generated in response to any Tx Fault condition, loss of input signal or assertion of any monitor Flag. It may be programmed through the TWS interface to generate either a pulse or static level with pulse mode as default. This output presents a High-Z condition when IntL is de-asserted and requires a pull-up on the Host board. Pull-up to the Host 3.3 V supply is recommended.	O	3.3V LVTTTL, high-Z or driven to 0 level
ResetL	Reset signal to module, Asserted Low: When asserted the optical outputs are disabled, TWS interface commands are inhibited, and the module returns to default and non-volatile settings. An internal pullup biases the input High if the input is open.	I	3.3V LVTTTL
SDA	TWS interface data signal: Pull-up with a 2.0 kΩ to 8.0 kΩ resistor to the Host 3.3 V supply is recommended.	I/O	3.3V LVTTTL/ Open-Drain
SCL	TWS interface clock signal I: Pull-up with a 2.0 kΩ to 8.0 kΩ resistor to the Host 3.3 V supply is recommended.	I	3.3V LVTTTL
Vcc25	2.5V Power supply, External common connection of pins required – not common internally		
Vcc33	3.3V Power supply, External common connection of pins required – not common internally		
Case Common	Not accessible in connector. Case common incorporates exposed conductive surfaces including threaded bosses and is electrically isolated from signal common, i.e. GND. Connect as appropriate for EMI shield integrity. See EMI clip and bezel cutout recommendation.		

Receiver Module Contact Assignment and Signal Description

Optical Connector Side

	Adr2	GND	GND	GND	GND	GND	GND	GND	GND	IntL	K
	Adr1	GND	Dout1p	GND	Dout4p	GND	Dout8n	GND	Dout11n	GND	J
	Adr0	GND	Dout1n	GND	Dout4n	GND	Dout8p	GND	Dout11p	GND	H
	GND	Dout0p	GND	Dout3p	GND	Dout6n	GND	Dout10n	GND	SDA	G
	GND	Dout0n	GND	Dout3n	GND	Dout6p	GND	Dout10p	GND	SCL	F
	ResetL	GND	Dout2p	GND	Dout5n	GND	Dout7n	GND	Dout9p	GND	E
	DNC	GND	Dout2n	GND	Dout5p	GND	Dout7p	GND	Dout9n	GND	D
	DNC	DNC	GND	DNC	GND	DNC	GND	DNC	GND	DNC	C
	GND	GND	GND	DNC	DNC	DNC	DNC	GND	GND	GND	B
	Vcc25	Vcc33	Vcc33	DNC	DNC	DNC	DNC	Vcc33	Vcc33	Vcc25	A
	10	9	8	7	6	5	4	3	2	1	

Figure 10. Host Board Pattern for Receiver Connector – Top View

PIN name	Functional descriptions	I/O	Type
Adr[2:0]	TWS Module Bus Address bits: Address has the form 0101hjkx where Adr2, Adr1 & Adr0 correspond to h, j & k respectively and x corresponds to the R/W command.	I	3.3V LVTTTL
Dout[11:0]p	Receiver Data Non-inverting Output for channels 11 through 0	O	CML
Dout[11:0]n	Receiver Data Inverting Output for channels 11 through 0	O	CML
DNC	Reserved – Do Not Connect to any electrical potential on Host PCB		
GND	Signal Common: All module voltages are referenced to this potential unless otherwise stated. Connect these pins directly to the host board signal ground plane.		
IntL	Interrupt signal to Host, Asserted Low: An interrupt is generated in response to loss of input signal or assertion of any monitor Flag. It may be programmed through the TWS interface to generate either a pulse or static level with pulse mode as default. This output presents a High-Z condition when IntL is de-asserted and requires a pull-up on the Host board. Pull-up to the Host 3.3 V supply is recommended.	O	3.3V LVTTTL, high-Z or driven to 0 level
ResetL	Reset signal to module, Asserted Low: When asserted the data outputs, Dout[11:0]p/n are squelched, TWS interface commands are inhibited, and the module returns to default and non-volatile settings. An internal pullup biases the input High if the input is open.	I	3.3V LVTTTL
SDA	TWS interface data signal: Pull-up with a 2.0 kΩ to 8.0 kΩ resistor to the Host 3.3 V supply is recommended.	I/O	3.3V LVTTTL/ Open-Drain
SCL	TWS interface clock signal: Pull-up with a 2.0 kΩ to 8.0 kΩ resistor to the Host 3.3 V supply is recommended.	I	3.3V LVTTTL
Vcc25	2.5V Power supply, External common connection of pins required – not common internally	P	
Vcc33	3.3 V Power supply, External common connection of pins required – not common internally	P	
Case Common	Not accessible in connector. Case common incorporates exposed conductive surfaces including threaded bosses and is electrically isolated from signal common, i.e. GND. Connect as appropriate for EMI shield integrity. See EMI clip and bezel cutout recommendation.		

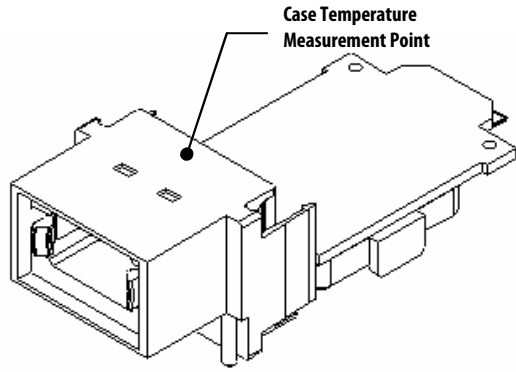


Figure 11. Case Temperature Measurement Point

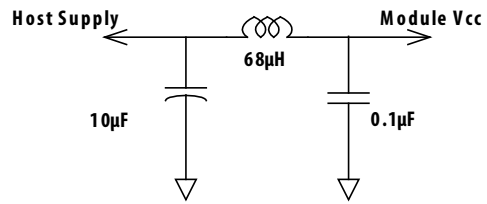


Figure 12. Recommended Tx Power Supply Filter

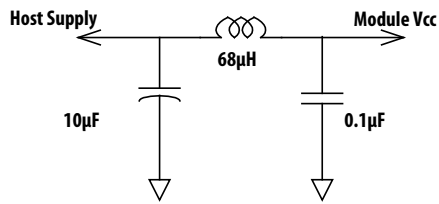


Figure 13. Recommended Rx Power Supply Filter

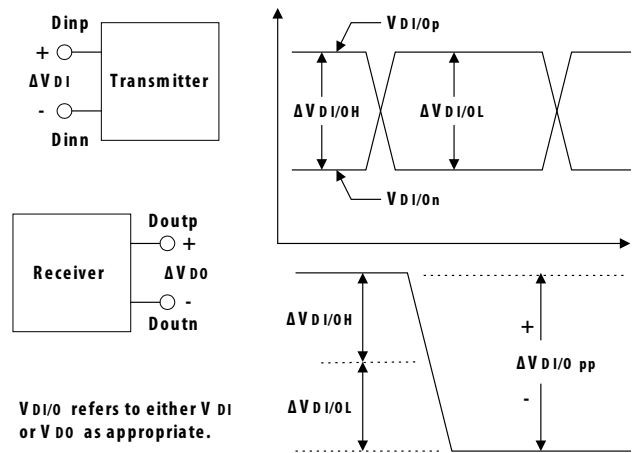


Figure 14. Differential Signal Definitions

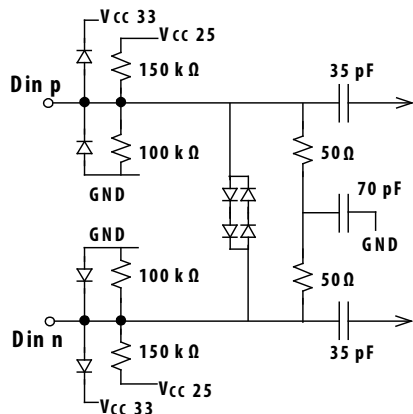


Figure 15. Transmitter Data Input Equivalent Circuit

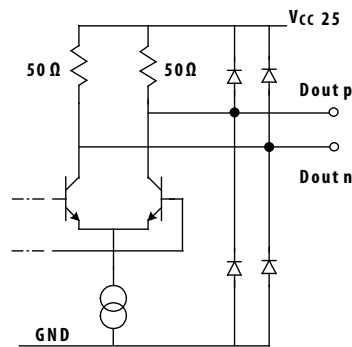


Figure 16. Receiver Data Output Equivalent Circuit

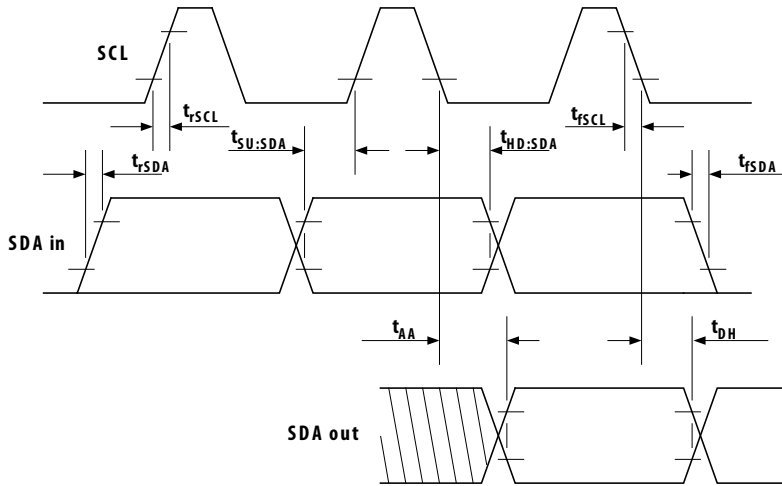


Figure 17. TWS Interface Bus Timing

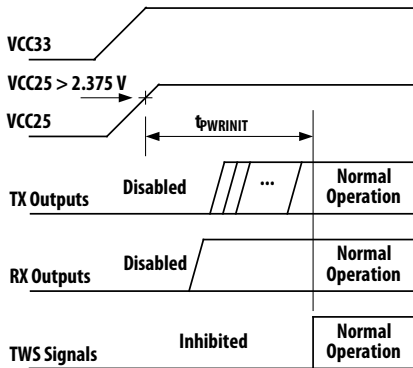


Figure 18. Power-up Sequence

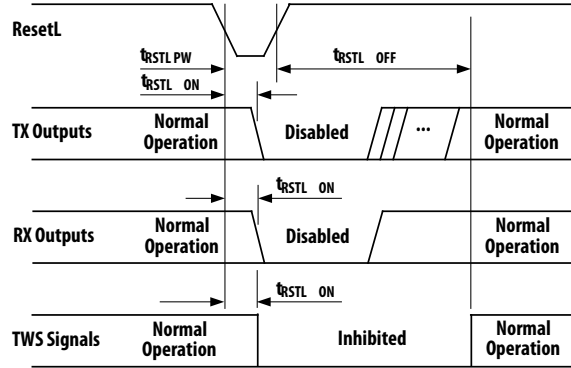


Figure 19. ResetL Sequence

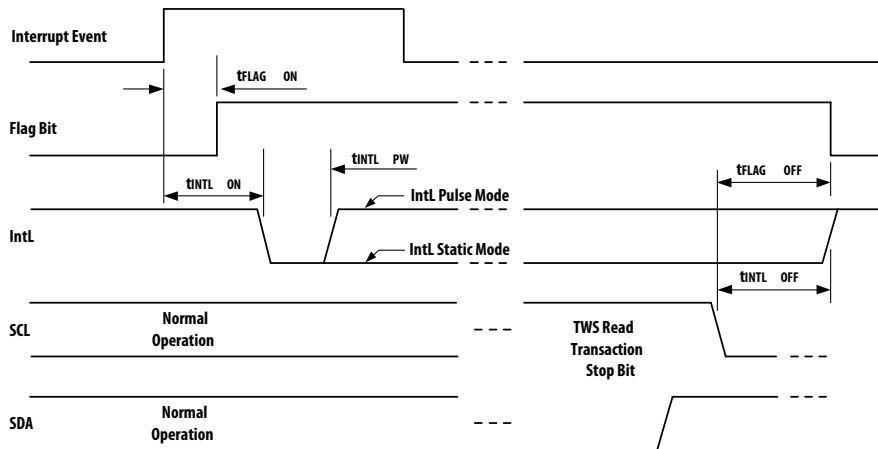


Figure 20. Interrupt Sequence

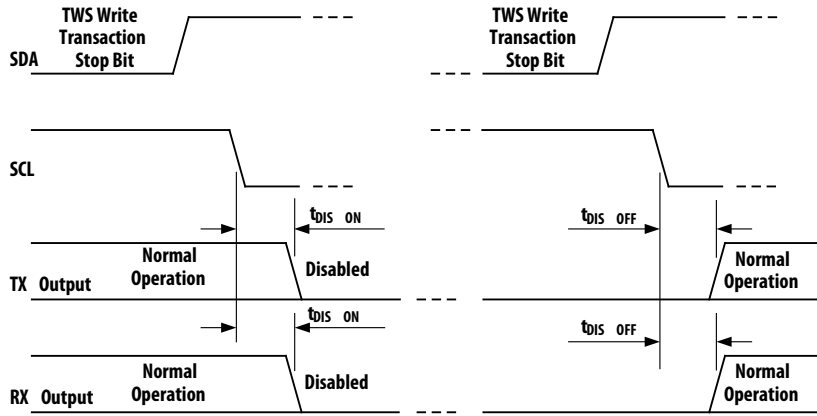


Figure 21. Channel Disable Sequence

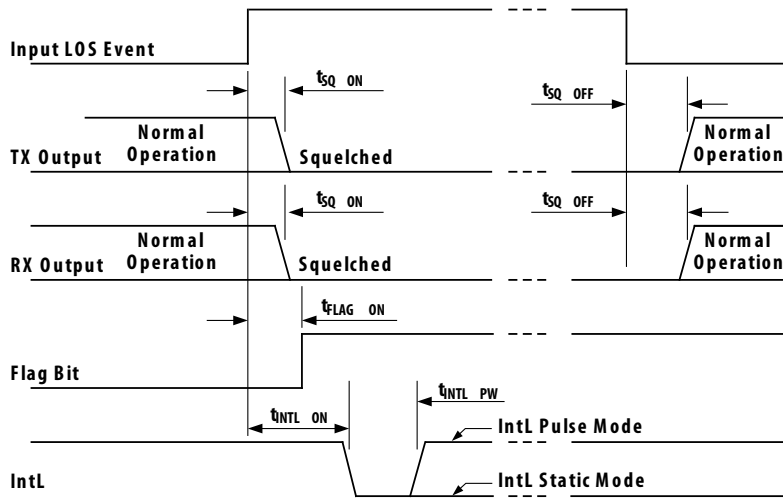


Figure 22. LOS Squelch Sequence

Package Outline, Host PCB Footprint and Panel Cutout

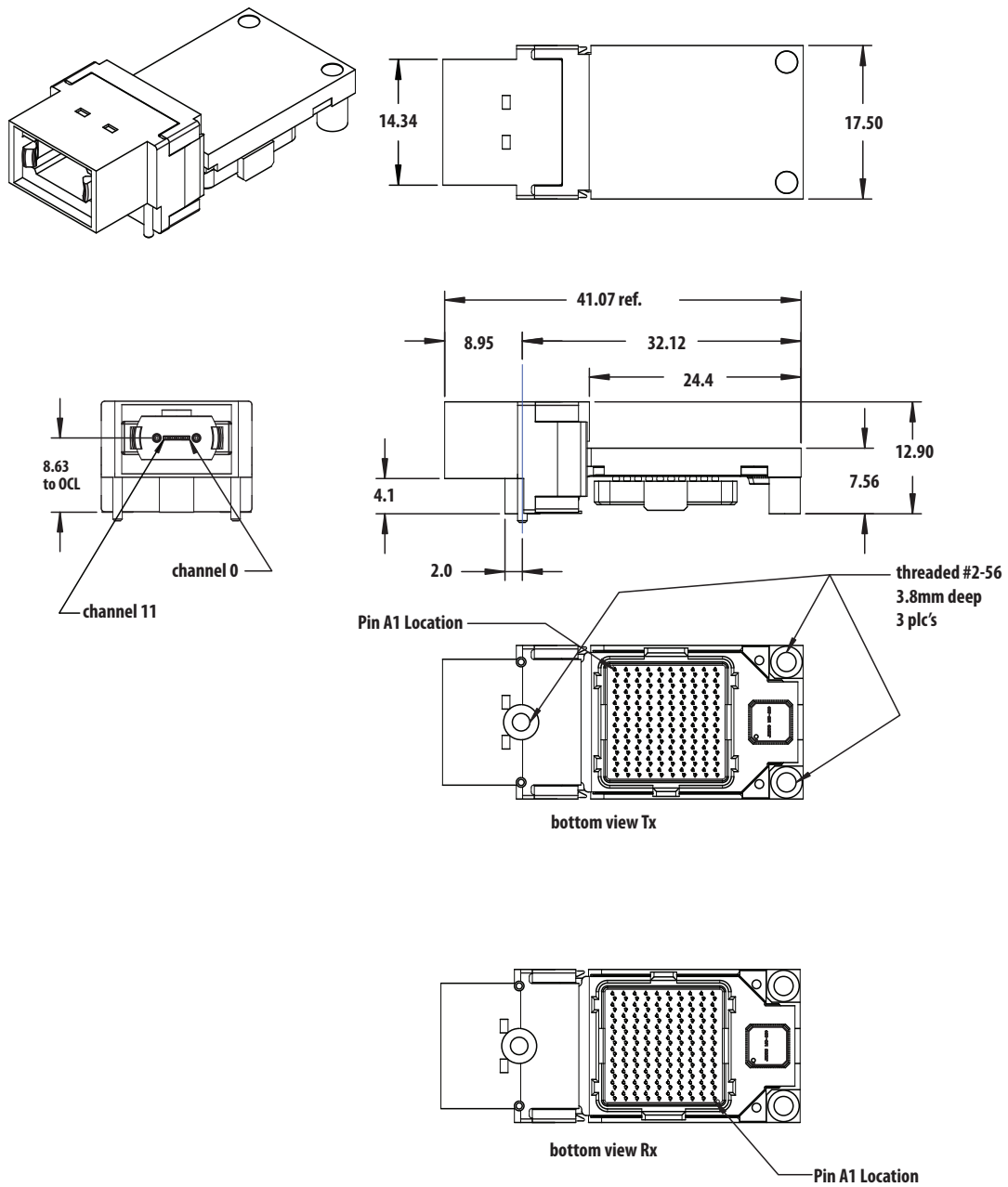


Figure 23. Package Outline AFBR-776BHZ and AFBR-786BHZ

Package outline dimensions are nominal expressed in mm unless otherwise stated. The mating host PCB mounted electrical connector is a 100 position FCI MEG-Array® Plug (FCI PN: 84512-102) or equivalent.

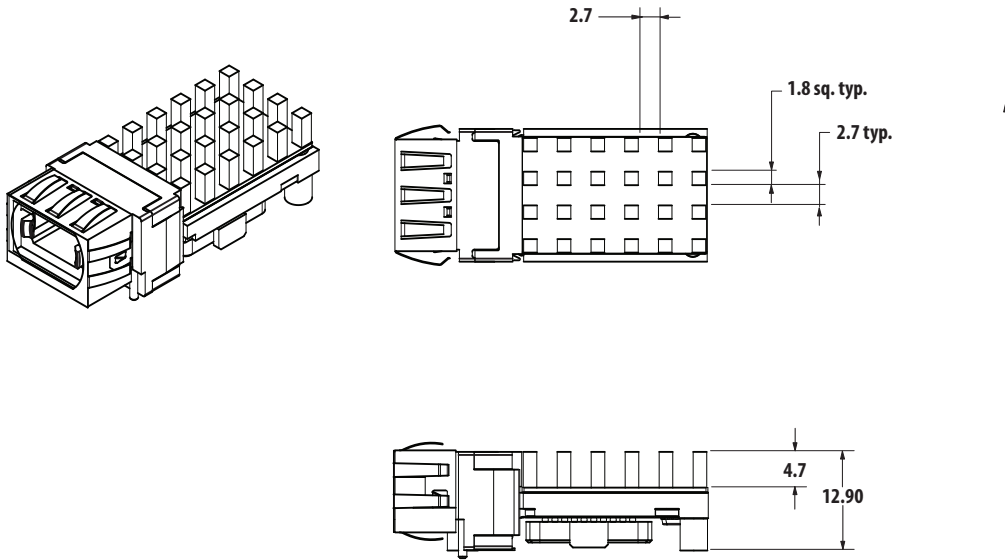


Figure 24. Package Outline AFBR-776BEPZ and AFBR-786BEPZ

Package outline dimensions are nominal expressed in mm unless otherwise stated. The mating host PCB mounted electrical connector is a 100 position FCI MEG-Array® Plug (FCI PN: 84512-102) or equivalent.

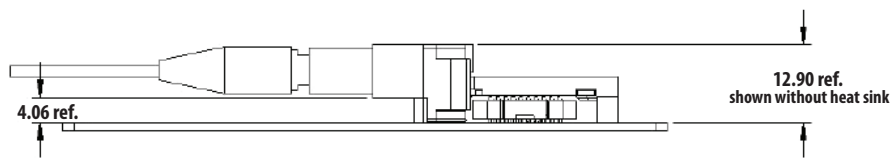
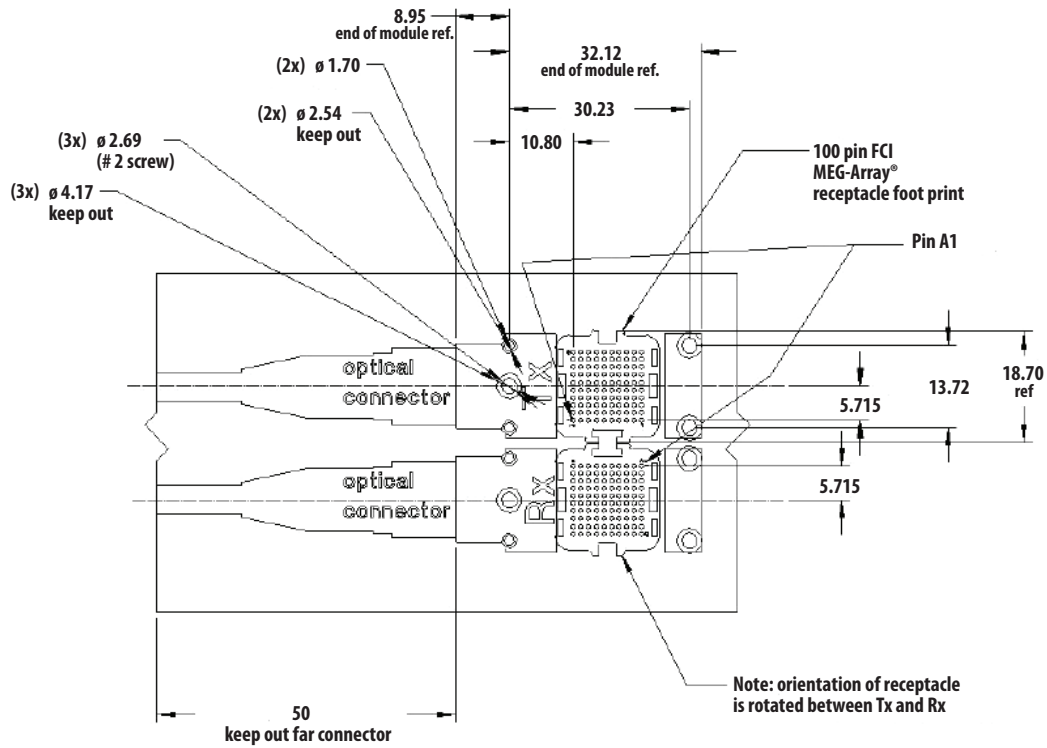


Figure 25. Host Board Module Footprint (Top View) and Module (Side View) – Mid-Plane Mount

Dimensions are nominal expressed in mm unless otherwise stated. The mating host PCB mounted electrical connector is a 100 position FCI MEG Array[®] Plug (FCI PN: 84512-102) or equivalent.

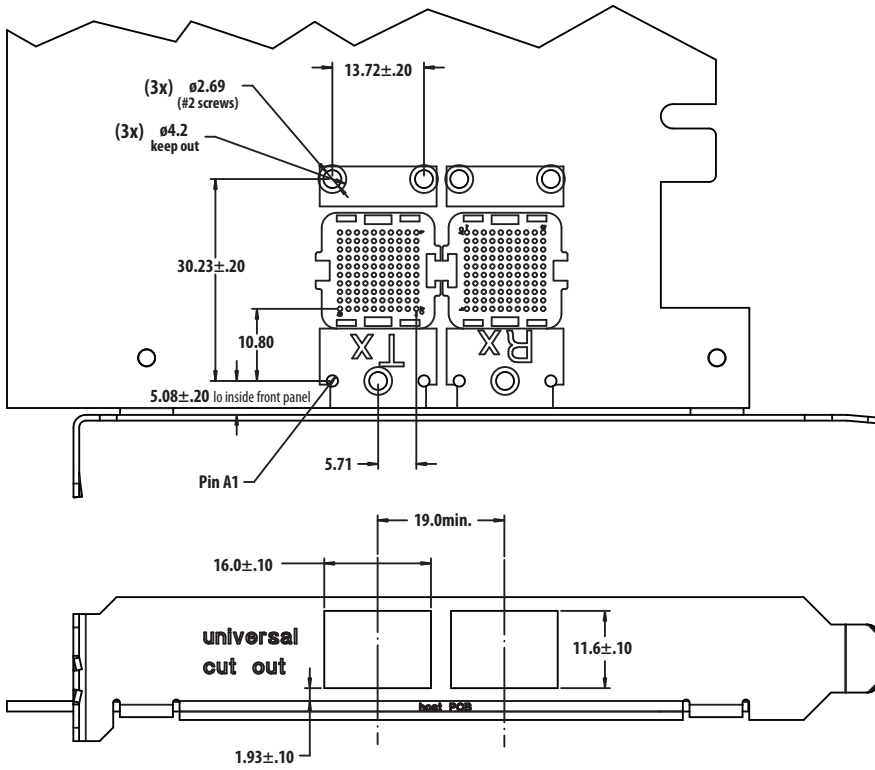


Figure 26. Host Board Module Footprint (Top and Side Views) – Panel Mount

Dimensions are nominal expressed in mm unless otherwise stated. The mating host PCB mounted electrical connector is a 100 position FCI MEG Array® Plug (FCI PN: 84512-102) or equivalent.

Control Interface & Memory Map

The control interface combines dedicated signal lines for address inputs, $\text{Adr}[2:0]$, interrupt output, IntL , and reset input, ResetL , with two-wire serial, TWS, interface clock, SCL , and data, SDA , signals to provide users rich functionality over an efficient and easily used interface. The TWS interface is implemented as a slave device and compatible with industry standard two-wire serial protocol. It is scaled for 3.3 volt LVTTL. Outputs are high-z in the high state to support busing of these signals. Signal and timing characteristics are further defined in the Control I/O Characteristics section. In general, TWS bus timing and protocols follow the implementation popularized in Atmel Two-wire Serial EEPROMs. For additional details see, e.g., Atmel AT24C01A.

The address signals, Adr2 , Adr1 and Adr0 , provide the ability to program the TWS bus address of the module. The module address has the binary form 0101hjkx , where h , j and k correspond to Adr2 , Adr1 and Adr0 , respectively and x corresponds to the Read/Write command bit. Modules will respond to TWS bus addresses in the range of 50h to 5Fh (hereafter 5ih) depending upon the state of Adr2 , Adr1 and Adr0 . The address B0(h) should be avoided on the TWS bus where these modules are used.

An interrupt signal, IntL , is used to alert the host of a loss of input signal (LOS), transmitter fault conditions and/or assertion of any monitor flag. This reduces the need for dedicated status signal lines and polling the status and monitor registers while maintaining timely alerts to significant events. IntL can be programmed (page 01h byte 225 bit 0) to either pulse or static mode with pulse as the default mode.

A dedicated module reset signal, ResetL , is provided in case the TWS interface becomes dysfunctional. When ResetL is asserted, the outputs are disabled, TWS interface commands are inhibited and the module returns to factory default settings except Non-volatile Read-Write (RWn) registers which retain the last write. A module register (memory map except the non-volatile registers) reset can also be initiated over the TWS interface (page 5ih byte 91 , bit 0). A TWS reset can be initiated by nine SLA clock cycles with SDA high in each cycle and creating a start condition.

With the TWS interface the user can read a status register (page 5ih byte 2) to see if data is available in the monitor registers, if the module has generated an IntL that has not been cleared and global status reports for loss of signal and fault conditions.

LOS, Tx fault and/or monitor flag registers can be accessed to check the status of individual channels or which channel may have generated a recent IntL . LOS, Tx fault and flag bits remain set (latched) after assertion even in the event the condition changes and operation resumes until

cleared by the read operation of the associated registers or reset by ResetL or the TWS module reset function.

The user can read the present value of the various monitors. For transmitters and receivers, internal module temperature and supply voltages are reported. For transmitters, monitors provide for each channel laser bias current and laser light output power (LOP) information. For receivers, input power (Pave) is monitored for each channel. In addition, elapsed operating time is reported. All monitor items are two-byte fields and to maintain coherency, the host must access these with single two-byte read sequences. For each monitored item, alarm thresholds are established. If an item moves past a threshold, a flag is set, and, provided the item is not masked, IntL is asserted. The threshold settings are available in the upper memory page, 01h .

The user can select either a pulse or static mode for the interrupt signal IntL and initiate a module register reset. The user is provided the ability to disable individual channels. For transmitters, equalization levels can be independently set for individual channels. For receivers, output signal amplitude, de-emphasis levels and rate select can be independently set for individual channels. In the upper page, 01h , control field the user can invert the truth of the differential inputs for individual transmitter channel and for the differential outputs of individual receiver channels. In addition, the user can disable the output squelch function on an individual channel basis for both transmitters and receivers. For transmitters the user can, on an individual channel basis, activate a margin mode that reduces the output optical modulation amplitude for the channel.

All non-volatile control registers are located in the upper page 01(h) . Non-volatile functions include the IntL mode selection bit, input and output polarity flip bits, transmitter equalization control bits, receiver output amplitude control and receiver output de-emphasis control. Entries into these registers will retain the last write for supply voltage cycles and for ResetL and module register resets.

Volatile functions include module register reset, channel disable, squelch disable and margin activation.

A mask bit that can be set to prevent assertion of IntL for the individual item exists for every LOS, Tx fault and monitor flag. Mask fields for LOS, Tx fault and module monitors are in the lower memory page, 5ih , and the mask field for the channel monitors are in the upper page 01h . Entries in the mask fields are volatile.

Page 00h , based on the Serial ID pages of XFP and QSFP, provides module identity and information regarding the capabilities of the module.

Memory Map Overview

The memory is structured as a single address, multiple page approach after that in the XFP MSA and adapted by QSFP MSA for multi-channel transceivers. Figure 27 presents an overview of the memory structure showing a lower page (5ih) and two upper pages (00h and 01h). As with XFP and QSFP, time sensitive, dynamic and/or high

interest information are contained in the base, i.e. lower, page. Here the upper page 00h contains the serial id information, again following the style of XFP and QSFP. The 01h upper table contains static threshold information, configuration controls and flag masks.

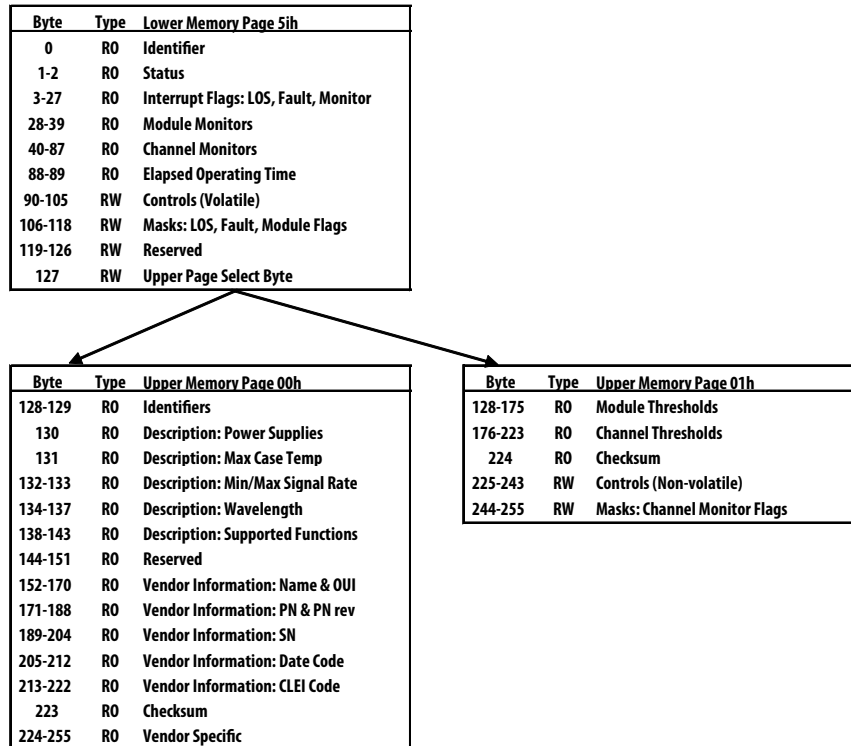


Figure 27 Two-Wire Serial Address 5ih Page Structure

Unless otherwise stated all reserved bytes are coded 00h and all reserved bits are coded 0b. Non-volatile read-write bits are labeled RWn and volatile read-write bits are labeled RWv.

Memory Map Timing Characteristics

The following characteristics are defined over the Recommended Operating Conditions unless otherwise noted. Typical values are for $T_c = 40^\circ\text{C}$, $V_{cc33} = 3.3\text{ V}$ and $V_{cc25} = 2.5\text{ V}$.

Parameter	Symbol	Min	Typ	Max	Units	Reference
Flag (including Tx Fault & LOS) Assert Time	$t_{\text{FLAG ON}}$			100	ms	Figure 20, Time from occurrence of condition to IntL assertion, $V_{\text{out:IntL}} = V_{\text{ol}}$
Flag (including Tx Fault & LOS) Clear Time2	$t_{\text{FLAG OFF}}$			100	ms	Figure 20, Time for clear on read operation, measured from falling SCL edge after stop bit of read transaction, until $V_{\text{out:IntL}} = V_{\text{oh}}$, where IntL is in static mode
Channel Disable Assert Time	$t_{\text{DIS ON}}$			100	ms	Figure 21, Time from write operation, measured from falling edge of SCL after stop bit of write transaction, until channel output falls below 10% of nominal
Channel Disable De-assert Time	$t_{\text{DIS OFF}}$			300	ms	Figure 21, Time from write operation, measured from falling edge of SCL after stop bit of write transaction, until channel output rises above 90% of nominal
Mask Assert Time				100	ms	Time from write operation, measured from falling edge of SCL after stop bit of write transaction, until associated IntL is inhibited
Mask De-assert Time				100	ms	Time from write operation, measured from falling edge of SCL after stop bit of write transaction, until associated IntL resumes
Volatile Control Assert Time (except Channel Disable)	$t_{\text{CNTL ON}}$			100	ms	Time from write operation, measured from falling edge of SCL after stop bit of write transaction, until associated control is activated
Volatile Control De-assert Time (except Channel Disable)				100	ms	Time from write operation, measured from falling edge of SCL after stop bit of write transaction, until associated control is de-activated
Control Transition Period	$t_{\text{CNTL XP}}$		10		μs	Time during the control assert time when signal integrity may be impaired
Non-Volatile Control Assert Time				150	ms	Time from up to two byte write operation, measured from falling edge of SCL after stop bit of write transaction, until associated control is activated
Non-Volatile Control De-assert Time				150	ms	Time from up to two byte write operation, measured from falling edge of SCL after stop bit of write transaction, until associated control is de-activated
Non-Volatile Control Assert Time				300	ms	Time from up to six byte write operation, measured from falling edge of SCL after stop bit of write transaction, until associated control is activated
Non-Volatile Control De-assert Time				300	ms	Time from up to six byte write operation, measured from falling edge of SCL after stop bit of write transaction, until associated control is de-activated
Module Reset Assert Time				100	ms	Time from write operation, measured from falling edge of SCL after stop bit of write transaction, until associated reset begins
Module Reset De-assert Time				2000	ms	Time from write operation, measured from falling edge of SCL after stop bit of write transaction, until associated reset is completed and normal operation resumes

Notes:

1. Max values are valid where competing TWS traffic is absent.
2. The outputs of affected channels are disabled for incidences of Tx Fault and squelched for Tx LOS and/or Rx LOS. Timing for output fault and squelch assertion and de-assertion are found in the Receiver Electrical and Transmitter Optical Characteristics sections.

Tx Memory Map 5ih Lower Page

Details of the base or lower page of the memory map for a transmitter follow.

Address		Type	Field Name/Description
Byte	Bit		
0	all	RO	Type Identifier: Coded 00h for unspecified
1	all	RO	Reserved: Coded 00h
2	7-4	RO	Reserved: Coded 0000b
2	3	RO	Fault Status: Coded 1 when a Fault flag (bytes 11 and 12 of this page) is asserted for any channel, else 0. Clears when Fault flags are cleared.
2	2	RO	LOS Status: Coded 1 when a LOS flag (bytes 9 and 10 of this page) is asserted for any channel, else 0. Clears when LOS flags are cleared.
2	1	RO	IntL Status: Coded 1 for asserted IntL. Clears to 0 when all flags including LOS and Fault are cleared.
2	0	RO	Data Not Ready: Coded 1 until data is available in monitor registers. Coded 0 in normal operation.
3 - 8	all	RO	Reserved: Coded 00h
9	7-4	RO	Reserved: Coded 0000b
9	3	RO	LOS Latched Tx Channel 11: Coded 1 when asserted, Latched, Clears on Read.
9	2	RO	LOS Latched Tx Channel 10: Coded 1 when asserted, Latched, Clears on Read.
9	1	RO	LOS Latched Tx Channel 9: Coded 1 when asserted, Latched, Clears on Read.
9	0	RO	LOS Latched Tx Channel 8: Coded 1 when asserted, Latched, Clears on Read.
10	7	RO	LOS Latched Tx Channel 7: Coded 1 when asserted, Latched, Clears on Read.
10	6	RO	LOS Latched Tx Channel 6: Coded 1 when asserted, Latched, Clears on Read.
10	5	RO	LOS Latched Tx Channel 5: Coded 1 when asserted, Latched, Clears on Read.
10	4	RO	LOS Latched Tx Channel 4: Coded 1 when asserted, Latched, Clears on Read.
10	3	RO	LOS Latched Tx Channel 3: Coded 1 when asserted, Latched, Clears on Read.
10	2	RO	LOS Latched Tx Channel 2: Coded 1 when asserted, Latched, Clears on Read.
10	1	RO	LOS Latched Tx Channel 1: Coded 1 when asserted, Latched, Clears on Read.
10	0	RO	LOS Latched Tx Channel 0: Coded 1 when asserted, Latched, Clears on Read.
11	7-4	RO	Reserved: Coded 0000b
11	3	RO	Fault Latched Tx Channel 11: Coded 1 when asserted, Latched, Clears on Read.
11	2	RO	Fault Latched Tx Channel 10: Coded 1 when asserted, Latched, Clears on Read.
11	1	RO	Fault Latched Tx Channel 9: Coded 1 when asserted, Latched, Clears on Read.
11	0	RO	Fault Latched Tx Channel 8: Coded 1 when asserted, Latched, Clears on Read.
12	7	RO	Fault Latched Tx Channel 7: Coded 1 when asserted, Latched, Clears on Read.
12	6	RO	Fault Latched Tx Channel 6: Coded 1 when asserted, Latched, Clears on Read.
12	5	RO	Fault Latched Tx Channel 5: Coded 1 when asserted, Latched, Clears on Read.
12	4	RO	Fault Latched Tx Channel 4: Coded 1 when asserted, Latched, Clears on Read.
12	3	RO	Fault Latched Tx Channel 2: Coded 1 when asserted, Latched, Clears on Read.
12	2	RO	Fault Latched Tx Channel 2: Coded 1 when asserted, Latched, Clears on Read.
12	1	RO	Fault Latched Tx Channel 1: Coded 1 when asserted, Latched, Clears on Read.
12	0	RO	Fault Latched Tx Channel 0: Coded 1 when asserted, Latched, Clears on Read.
13	7	RO	High Internal Temperature Alarm Latched: Coded 1 when asserted, Latched, Clears on Read.
13	6	RO	Low Internal Temperature Alarm Latched: Coded 1 when asserted, Latched, Clears on Read.
13	5-0	RO	Reserved
14	7	RO	High Internal 3.3 Vcc Alarm Latched: Coded 1 when asserted, Latched, Clears on Read.
14	6	RO	Low Internal 3.3 Vcc Alarm Latched: Coded 1 when asserted, Latched, Clears on Read.
14	5-4	RO	Reserved

14	3	RO	High Internal 2.5 Vcc Alarm Latched: Coded 1 when asserted, Latched, Clears on Read.
14	2	RO	Low Internal 2.5 Vcc Alarm Latched: Coded 1 when asserted, Latched, Clears on Read.
14	1-0	RO	Reserved
15	all	RO	Reserved: Coded 00h
16	7	RO	High Tx Bias Current Alarm Latched Channel 11: Coded 1 when asserted, Latched, Clears on Read.
16	6	RO	Low Tx Bias Current Alarm Latched Channel 11: Coded 1 when asserted, Latched, Clears on Read.
16	5-4	RO	Reserved
16	3	RO	High Tx Bias Current Alarm Latched Channel 10: Coded 1 when asserted, Latched, Clears on Read.
16	2	RO	Low Tx Bias Current Alarm Latched Channel 10: Coded 1 when asserted, Latched, Clears on Read.
16	1-0	RO	Reserved
17	7	RO	High Tx Bias Current Alarm Latched Channel 9: Coded 1 when asserted, Latched, Clears on Read.
17	6	RO	Low Tx Bias Current Alarm Latched Channel 9: Coded 1 when asserted, Latched, Clears on Read.
17	5-4	RO	Reserved
17	3	RO	High Tx Bias Current Alarm Latched Channel 8: Coded 1 when asserted, Latched, Clears on Read.
17	2	RO	Low Tx Bias Current Alarm Latched Channel 8: Coded 1 when asserted, Latched, Clears on Read.
17	1-0	RO	Reserved
18	7	RO	High Tx Bias Current Alarm Latched Channel 7: Coded 1 when asserted, Latched, Clears on Read.
18	6	RO	Low Tx Bias Current Alarm Latched Channel 7: Coded 1 when asserted, Latched, Clears on Read.
18	5-4	RO	Reserved
18	3	RO	High Tx Bias Current Alarm Latched Channel 6: Coded 1 when asserted, Latched, Clears on Read.
18	2	RO	Low Tx Bias Current Alarm Latched Channel 6: Coded 1 when asserted, Latched, Clears on Read.
18	1-0	RO	Reserved
19	7	RO	High Tx Bias Current Alarm Latched Channel 5: Coded 1 when asserted, Latched, Clears on Read.
19	6	RO	Low Tx Bias Current Alarm Latched Channel 5: Coded 1 when asserted, Latched, Clears on Read.
19	5-4	RO	Reserved
19	3	RO	High Tx Bias Current Alarm Latched Channel 4: Coded 1 when asserted, Latched, Clears on Read.
19	2	RO	Low Tx Bias Current Alarm Latched Channel 4: Coded 1 when asserted, Latched, Clears on Read.
19	1-0	RO	Reserved
20	7	RO	High Tx Bias Current Alarm Latched Channel 3: Coded 1 when asserted, Latched, Clears on Read.
20	6	RO	Low Tx Bias Current Alarm Latched Channel 3: Coded 1 when asserted, Latched, Clears on Read.
20	5-4	RO	Reserved
20	3	RO	High Tx Bias Current Alarm Latched Channel 2: Coded 1 when asserted, Latched, Clears on Read.
20	2	RO	Low Tx Bias Current Alarm Latched Channel 2: Coded 1 when asserted, Latched, Clears on Read.
20	1-0	RO	Reserved
21	7	RO	High Tx Bias Current Alarm Latched Channel 1: Coded 1 when asserted, Latched, Clears on Read.
21	6	RO	Low Tx Bias Current Alarm Latched Channel 1: Coded 1 when asserted, Latched, Clears on Read.
21	5-4	RO	Reserved
21	3	RO	High Tx Bias Current Alarm Latched Channel 0: Coded 1 when asserted, Latched, Clears on Read.
21	2	RO	Low Tx Bias Current Alarm Latched Channel 0: Coded 1 when asserted, Latched, Clears on Read.
21	1-0	RO	Reserved
22	7	RO	High Tx Power Alarm Latched Channel 11: Coded 1 when asserted, Latched, Clears on Read.
22	6	RO	Low Tx Power Alarm Latched Channel 11: Coded 1 when asserted, Latched, Clears on Read.
22	5-4	RO	Reserved
22	3	RO	High Tx Power Alarm Latched Channel 10: Coded 1 when asserted, Latched, Clears on Read.
22	2	RO	Low Tx Power Alarm Latched Channel 10: Coded 1 when asserted, Latched, Clears on Read.
22	1-0	RO	Reserved
23	7	RO	High Tx Power Alarm Latched Channel 9: Coded 1 when asserted, Latched, Clears on Read.

23	6	RO	Low Tx Power Alarm Latched Channel 9: Coded 1 when asserted, Latched, Clears on Read.
23	5-4	RO	Reserved
23	3	RO	High Tx Power Alarm Latched Channel 8: Coded 1 when asserted, Latched, Clears on Read.
23	2	RO	Low Tx Power Alarm Latched Channel 8: Coded 1 when asserted, Latched, Clears on Read.
23	1-0	RO	Reserved
24	7	RO	High Tx Power Alarm Latched Channel 7: Coded 1 when asserted, Latched, Clears on Read.
24	6	RO	Low Tx Power Alarm Latched Channel 7: Coded 1 when asserted, Latched, Clears on Read.
24	5-4	RO	Reserved
24	3	RO	High Tx Power Alarm Latched Channel 6: Coded 1 when asserted, Latched, Clears on Read.
24	2	RO	Low Tx Power Alarm Latched Channel 6: Coded 1 when asserted, Latched, Clears on Read.
24	1-0	RO	Reserved
25	7	RO	High Tx Power Alarm Latched Channel 5: Coded 1 when asserted, Latched, Clears on Read.
25	6	RO	Low Tx Power Alarm Latched Channel 5: Coded 1 when asserted, Latched, Clears on Read.
25	5-4	RO	Reserved
25	3	RO	High Tx Power Alarm Latched Channel 4: Coded 1 when asserted, Latched, Clears on Read.
25	2	RO	Low Tx Power Alarm Latched Channel 4: Coded 1 when asserted, Latched, Clears on Read.
25	1-0	RO	Reserved
26	7	RO	High Tx Power Alarm Latched Channel 3: Coded 1 when asserted, Latched, Clears on Read.
26	6	RO	Low Tx Power Alarm Latched Channel 3: Coded 1 when asserted, Latched, Clears on Read.
26	5-4	RO	Reserved
26	3	RO	High Tx Power Alarm Latched Channel 2: Coded 1 when asserted, Latched, Clears on Read.
26	2	RO	Low Tx Power Alarm Latched Channel 2: Coded 1 when asserted, Latched, Clears on Read.
26	1-0	RO	Reserved
27	7	RO	High Tx Power Alarm Latched Channel 1: Coded 1 when asserted, Latched, Clears on Read.
27	6	RO	Low Tx Power Alarm Latched Channel 1: Coded 1 when asserted, Latched, Clears on Read.
27	5-4	RO	Reserved
27	3	RO	High Tx Power Alarm Latched Channel 0: Coded 1 when asserted, Latched, Clears on Read.
27	2	RO	Low Tx Power Alarm Latched Channel 0: Coded 1 when asserted, Latched, Clears on Read.
27	1-0	RO	Reserved
28	all	RO	Internal Temperature Monitor MSB: Integer part coded in signed 2's complement. Tolerance is $\pm 3^{\circ}\text{C}$.
29	all	RO	Internal Temperature Monitor LSB: Fractional part in units of $1^{\circ}/256$ coded in binary.
30-31	all	RO	Reserved: Coded 00h
32-33	all	RO	Internal 3.3 Vcc Monitor: Voltage in 100 μV units coded as 16 bit unsigned integer, Byte 32 is MSB. Tolerance is $\pm 0.10\text{V}$.
34-35	all	RO	Internal 2.5 Vcc Monitor: Voltage in 100 μV units coded as 16 bit unsigned integer, Byte 34 is MSB. Tolerance is $\pm 0.075\text{V}$.
36-39	all	RO	Reserved: Coded 00h
40-41	all	RO	Tx Bias Current Monitor Channel 11: Bias current in 2 μA units coded as 16 bit unsigned integer, Byte 40 is MSB. Tolerance is $\pm 0.50\text{ mA}$.
42-43	all	RO	Tx Bias Current Monitor Channel 10: Bias current in 2 μA units coded as 16 bit unsigned integer, Byte 42 is MSB. Tolerance is $\pm 0.50\text{ mA}$.
44-45	all	RO	Tx Bias Current Monitor Channel 9: Bias current in 2 μA units coded as 16 bit unsigned integer, Byte 44 is MSB. Tolerance is $\pm 0.50\text{ mA}$.
46-47	all	RO	Tx Bias Current Monitor Channel 8: Bias current in 2 μA units coded as 16 bit unsigned integer, Byte 46 is MSB. Tolerance is $\pm 0.50\text{ mA}$.
48-49	all	RO	Tx Bias Current Monitor Channel 7: Bias current in 2 μA units coded as 16 bit unsigned integer, Byte 48 is MSB. Tolerance is $\pm 0.50\text{ mA}$.
50-51	all	RO	Tx Bias Current Monitor Channel 6: Bias current in 2 μA units coded as 16 bit unsigned integer, Byte 50 is MSB. Tolerance is $\pm 0.50\text{ mA}$.

52-53	all	RO	Tx Bias Current Monitor Channel 5: Bias current in 2 μ A units coded as 16 bit unsigned integer, Byte 52 is MSB. Tolerance is ± 0.50 mA.
54-55	all	RO	Tx Bias Current Monitor Channel 4: Bias current in 2 μ A units coded as 16 bit unsigned integer, Byte 54 is MSB. Tolerance is ± 0.50 mA.
56-57	all	RO	Tx Bias Current Monitor Channel 3: Bias current in 2 μ A units coded as 16 bit unsigned integer, Byte 56 is MSB. Tolerance is ± 0.50 mA.
58-59	all	RO	Tx Bias Current Monitor Channel 2: Bias current in 2 μ A units coded as 16 bit unsigned integer, Byte 58 is MSB. Tolerance is ± 0.50 mA.
60-61	all	RO	Tx Bias Current Monitor Channel 1: Bias current in 2 μ A units coded as 16 bit unsigned integer, Byte 60 is MSB. Tolerance is ± 0.50 mA.
62-63	all	RO	Tx Bias Current Monitor Channel 0: Bias current in 2 μ A units coded as 16 bit unsigned integer, Byte 62 is MSB. Tolerance is ± 0.50 mA.
64-65	all	RO	Tx Light Output Monitor Channel 11: Optical power in 0.1 μ W units coded as 16 bit unsigned integer, Byte 64 is MSB. Tolerance is ± 3 dB.
66-67	all	RO	Tx Light Output Monitor Channel 10: Optical power in 0.1 μ W units coded as 16 bit unsigned integer, Byte 66 is MSB. Tolerance is ± 3 dB.
68-69	all	RO	Tx Light Output Monitor Channel 9: Optical power in 0.1 μ W units coded as 16 bit unsigned integer, Byte 68 is MSB. Tolerance is ± 3 dB.
70-71	all	RO	Tx Light Output Monitor Channel 8: Optical power in 0.1 μ W units coded as 16 bit unsigned integer, Byte 70 is MSB. Tolerance is ± 3 dB.
72-73	all	RO	Tx Light Output Monitor Channel 7: Optical power in 0.1 μ W units coded as 16 bit unsigned integer, Byte 72 is MSB. Tolerance is ± 3 dB.
74-75	all	RO	Tx Light Output Monitor Channel 6: Optical power in 0.1 μ W units coded as 16 bit unsigned integer, Byte 74 is MSB. Tolerance is ± 3 dB.
76-77	all	RO	Tx Light Output Monitor Channel 5: Optical power in 0.1 μ W units coded as 16 bit unsigned integer, Byte 76 is MSB. Tolerance is ± 3 dB.
78-79	all	RO	Tx Light Output Monitor Channel 4: Optical power in 0.1 μ W units coded as 16 bit unsigned integer, Byte 78 is MSB. Tolerance is ± 3 dB.
80-81	all	RO	Tx Light Output Monitor Channel 3: Optical power in 0.1 μ W units coded as 16 bit unsigned integer, Byte 80 is MSB. Tolerance is ± 3 dB.
82-83	all	RO	Tx Light Output Monitor Channel 2: Optical power in 0.1 μ W units coded as 16 bit unsigned integer, Byte 82 is MSB. Tolerance is ± 3 dB.
84-85	all	RO	Tx Light Output Monitor Channel 1: Optical power in 0.1 μ W units coded as 16 bit unsigned integer, Byte 84 is MSB. Tolerance is ± 3 dB.
86-87	all	RO	Tx Light Output Monitor Channel 0: Optical power in 0.1 μ W units coded as 16 bit unsigned integer, Byte 86 is MSB. Tolerance is ± 3 dB.
88-89	all	RO	Elapsed (Power-on) Operating Time: Elapsed time in 2 hour units coded as 16 bit unsigned integer, Byte 88 is MSB, Tolerance is $\pm 10\%$
90	all	RWv	Reserved: Coded 00h
91	7-1	RWv	Reserved: Coded 0000000b
91	0	RWv	Transmitter Reset: Writing 1 return all registers except non-volatile RW to factory default values. Reads 0 after operation.
92	7-4	RWv	Reserved: Coded 0000b
92	3	RWv	Tx Channel 11 Disable: Writing 1 deactivates the optical output, Default is 0.
92	2	RWv	Tx Channel 10 Disable: Writing 1 deactivates the optical output, Default is 0.
92	1	RWv	Tx Channel 9 Disable: Writing 1 deactivates the optical output, Default is 0.
92	0	RWv	Tx Channel 8 Disable: Writing 1 deactivates the optical output, Default is 0.
93	7	RWv	Tx Channel 7 Disable: Writing 1 deactivates the optical output, Default is 0.
93	6	RWv	Tx Channel 6 Disable: Writing 1 deactivates the optical output, Default is 0.
93	5	RWv	Tx Channel 5 Disable: Writing 1 deactivates the optical output, Default is 0.
93	4	RWv	Tx Channel 4 Disable: Writing 1 deactivates the optical output, Default is 0.
93	3	RWv	Tx Channel 3 Disable: Writing 1 deactivates the optical output, Default is 0.
93	2	RWv	Tx Channel 2 Disable: Writing 1 deactivates the optical output, Default is 0.

93	1	RWv	Tx Channel 1 Disable: Writing 1 deactivates the optical output, Default is 0.
93	0	RWv	Tx Channel 0 Disable: Writing 1 deactivates the optical output, Default is 0.
94	7-4	RWv	Reserved: Coded 0000b
94	3	RWv	Squelch Disable Channel 11: Writing 1 inhibits squelch for the channel, Default is 0.
94	2	RWv	Squelch Disable Channel 10: Writing 1 inhibits squelch for the channel, Default is 0.
94	1	RWv	Squelch Disable Channel 9: Writing 1 inhibits squelch for the channel, Default is 0.
94	0	RWv	Squelch Disable Channel 8: Writing 1 inhibits squelch for the channel, Default is 0.
95	7	RWv	Squelch Disable Channel 7: Writing 1 inhibits squelch for the channel, Default is 0.
95	6	RWv	Squelch Disable Channel 6: Writing 1 inhibits squelch for the channel, Default is 0.
95	5	RWv	Squelch Disable Channel 5: Writing 1 inhibits squelch for the channel, Default is 0.
95	4	RWv	Squelch Disable Channel 4: Writing 1 inhibits squelch for the channel, Default is 0.
95	3	RWv	Squelch Disable Channel 3: Writing 1 inhibits squelch for the channel, Default is 0.
95	2	RWv	Squelch Disable Channel 2: Writing 1 inhibits squelch for the channel, Default is 0.
95	1	RWv	Squelch Disable Channel 1: Writing 1 inhibits squelch for the channel, Default is 0.
95	0	RWv	Squelch Disable Channel 0: Writing 1 inhibits squelch for the channel, Default is 0.
96-98	all	RWv	Reserved: Coded 00h
99	7-4	RWv	Reserved: Coded 0000b
99	3	RWv	Margin Activation Channel 11: Writing 1 places channel into Margin mode (Reduces OMA by 1 dB), Default is 0.
99	2	RWv	Margin Activation Channel 10: Writing 1 places channel into Margin mode (Reduces OMA by 1 dB), Default is 0.
99	1	RWv	Margin Activation Channel 9: Writing 1 places channel into Margin mode (Reduces OMA by 1 dB), Default is 0.
100	0	RWv	Margin Activation Channel 8: Writing 1 places channel into Margin mode (Reduces OMA by 1 dB), Default is 0.
100	7	RWv	Margin Activation Channel 7: Writing 1 places channel into Margin mode (Reduces OMA by 1 dB), Default is 0.
100	6	RWv	Margin Activation Channel 6: Writing 1 places channel into Margin mode (Reduces OMA by 1 dB), Default is 0.
100	5	RWv	Margin Activation Channel 5: Writing 1 places channel into Margin mode (Reduces OMA by 1 dB), Default is 0.
100	4	RWv	Margin Activation Channel 4: Writing 1 places channel into Margin mode (Reduces OMA by 1 dB), Default is 0.
100	3	RWv	Margin Activation Channel 3: Writing 1 places channel into Margin mode (Reduces OMA by 1 dB), Default is 0.
100	2	RWv	Margin Activation Channel 2: Writing 1 places channel into Margin mode (Reduces OMA by 1 dB), Default is 0.
100	1	RWv	Margin Activation Channel 1: Writing 1 places channel into Margin mode (Reduces OMA by 1 dB), Default is 0.
100	0	RWv	Margin Activation Channel 0: Writing 1 places channel into Margin mode (Reduces OMA by 1 dB), Default is 0.
101-105	all	RWv	Reserved: Coded 00h
106-111	all	RWv	Reserved: Coded 00h
112	7-4	RWv	Reserved: Coded 0000b
112	3	RWv	Mask LOS Tx Channel 11: Writing 1 Prevents IntL generation, Default = 0
112	2	RWv	Mask LOS Tx Channel 10: Writing 1 Prevents IntL generation, Default = 0
112	1	RWv	Mask LOS Tx Channel 9: Writing 1 Prevents IntL generation, Default = 0
112	0	RWv	Mask LOS Tx Channel 8: Writing 1 Prevents IntL generation, Default = 0
113	7	RWv	Mask LOS Tx Channel 7: Writing 1 Prevents IntL generation, Default = 0
113	6	RWv	Mask LOS Tx Channel 6: Writing 1 Prevents IntL generation, Default = 0
113	5	RWv	Mask LOS Tx Channel 5: Writing 1 Prevents IntL generation, Default = 0

113	4	RWv	Mask LOS Tx Channel 4: Writing 1 Prevents IntL generation, Default = 0
113	3	RWv	Mask LOS Tx Channel 3: Writing 1 Prevents IntL generation, Default = 0
113	2	RWv	Mask LOS Tx Channel 2: Writing 1 Prevents IntL generation, Default = 0
113	1	RWv	Mask LOS Tx Channel 1: Writing 1 Prevents IntL generation, Default = 0
113	0	RWv	Mask LOS Tx Channel 0: Writing 1 Prevents IntL generation, Default = 0
114	7-4	RWv	Reserved: Coded 0000b
114	3	RWv	Mask Fault Tx Channel 11: Writing 1 Prevents IntL generation, Default = 0
114	2	RWv	Mask Fault Tx Channel 10: Writing 1 Prevents IntL generation, Default = 0
114	1	RWv	Mask Fault Tx Channel 9: Writing 1 Prevents IntL generation, Default = 0
114	0	RWv	Mask Fault Tx Channel 8: Writing 1 Prevents IntL generation, Default = 0
115	7	RWv	Mask Fault Tx Channel 7: Writing 1 Prevents IntL generation, Default = 0
115	6	RWv	Mask Fault Tx Channel 6: Writing 1 Prevents IntL generation, Default = 0
115	5	RWv	Mask Fault Tx Channel 5: Writing 1 Prevents IntL generation, Default = 0
115	4	RWv	Mask Fault Tx Channel 4: Writing 1 Prevents IntL generation, Default = 0
115	3	RWv	Mask Fault Tx Channel 3: Writing 1 Prevents IntL generation, Default = 0
115	2	RWv	Mask Fault Tx Channel 2: Writing 1 Prevents IntL generation, Default = 0
115	1	RWv	Mask Fault Tx Channel 1: Writing 1 Prevents IntL generation, Default = 0
115	0	RWv	Mask Fault Tx Channel 0: Writing 1 Prevents IntL generation, Default = 0
116	7	RWv	Mask High Internal Temperature Alarm: Writing 1 Prevents IntL generation, Default = 0
116	6	RWv	Mask Low Internal Temperature Alarm: Writing 1 Prevents IntL generation, Default = 0
116	5-0	RWv	Reserved
117	7	RWv	Mask High Internal 3.3 Vcc Alarm: Writing 1 Prevents IntL generation, Default = 0
117	6	RWv	Mask Low Internal 3.3 Vcc Alarm: Writing 1 Prevents IntL generation, Default = 0
117	5-4	RWv	Reserved
117	3	RWv	Mask High Internal 2.5 Vcc Alarm: Writing 1 Prevents IntL generation, Default = 0
117	2	RWv	Mask Low Internal 2.5 Vcc Alarm: Writing 1 Prevents IntL generation, Default = 0
117	1-0	RWv	Reserved
118	all	RWv	Reserved: Coded 00h
119-122	all	RW	Reserved: Coded 00h
123-126	all	RW	Reserved: Coded 00h
127	all	RWv	Page Select Byte

Tx Memory Map 00h Upper Page

Transmitter serial id page 00h entries follow. Description of the registers can be found in Section 9 below.

Address	Contents	Type	Field Name/Description
Byte	Bit	Code	
128	all	00h	RO Type Identifier: Coded 00h for unspecified. See SFF-8472 for reference
129	all	10000010b	RO Module Description: Coded for < 2.5 W max, Controlled Launch
130	all	11000000b	RO Required Power Supplies: Coded for 3.3V & 2.5V supplies
131	all	01010000b	RO Max Recommended Operating Case Temperature in Degrees C: Coded for 80°C
132	all	00011001b	RO Min Bit Rate in 100 Mb/s units: Coded for 2500 Mb/s
133	all	00111111b	RO Max Bit Rate in 100 Mb/s units: Coded for 6250 Mb/s
134-135	all	42h 04h	RO Nominal Laser Wavelength (Wavelength in nm = value / 20): Coded for 845 nm
136-137	all	0Bh BBh	RO Wavelength deviation from nominal (Wavelength tolerance in nm = +/- value / 200): Coded for 15 nm
138	all	11001000b	RO Supported Flags/Actions: Coded for Tx Fault, Tx LOS, Output Squelch for LOS, Alarm Flags
139	all	11000101b	RO Supported Monitors: Coded for Tx Bias, Tx LOP, Internal Temp, Elapsed Time
140	all	01100000b	RO Supported Monitors: Coded for 3.3V, 2.5V
141	all	10100010b	RO Supported Controls: Coded for Ch Disable, Squelch Disable, Input Equalization
142	all	00001011b	RO Supported Controls: Coded for Margin Mode, Ch Polarity Flip, Module Addressing
143	all	00h	RO Supported Functions:
144-151	all	00h	RO Reserved
152-167	all	41h 56h 41h 47h 4Fh 20h 20h x10	RO Vendor Name in ASCII: Coded "AVAGO" for Avago Technologies, Spaces (20h) for unused characters
168-170	all	00h 17h 6Ah	RO Vendor OUI (IEEE ID): Coded "00h 17h 6Ah" for Avago Technologies
171-186	all	41h 46h 42h 52h 2Dh 37h 37h 35h 42h ...	RO Vendor Part Number in ASCII: AFBR-776B... where bytes 180 through 186 vary with selected option, Spaces (20h) for unused characters
187-188	all	30h 32h	RO Vendor Revision Number in ASCII: Coded "02"
189-204	all		RO Vendor Serial Number (ASCII): Varies by unit
205-212	all		RO Vendor Date Code YYYYMMDD (ASCII): Spaces (20h) for unused characters
213-222	all		RO CLEI Code in ASCII: All spaces (20h) if unused
223	all		RO Check sum addresses 128 through 222
224-255	all		RO Vendor Specific: All zeroes if unused

Tx Memory Map 01h Upper Page

Details of transmitter upper page 01h follow.

Address	Type	Field Name/Description
Byte	Bit	
128	all	RO Internal Temperature High Alarm Threshold MSB: Integer part coded in signed 2's complement
129	all	RO Internal Temperature High Alarm Threshold LSB: Fractional part in units of 1°/256 coded in binary.
130	all	RO Internal Temperature Low Alarm Threshold MSB: Integer part coded in signed 2's complement
131	all	RO Internal Temperature Low Alarm Threshold LSB: Fractional part in units of 1°/256 coded in binary.
132-143	all	RO Reserved: Coded 00h
144-145	all	RO Internal 3.3 Vcc High Alarm Threshold: Voltage in 100 µV units coded as 16 bit unsigned integer, low address is MSB.
146-147	all	RO Internal 3.3 Vcc Low Alarm Threshold: Voltage in 100 µV units coded as 16 bit unsigned integer, low address is MSB.
148-151	all	RO Reserved
152-153	all	RO Internal 2.5 Vcc High Alarm Threshold: Voltage in 100 µV units coded as 16 bit unsigned integer, low address is MSB.
154-155	all	RO Internal 2.5 Vcc Low Alarm Threshold: Voltage in 100 µV units coded as 16 bit unsigned integer, low address is MSB.
156-159	all	RO Reserved
160-175	all	RO Thresholds Reserved: Coded 00h
176-177	all	RO Tx Bias Current All Channels High Alarm Threshold: Current in 2 µA units coded as 16 bit unsigned integer, low address is MSB.
178-179	all	RO Tx Bias Current All Channels Low Alarm Threshold: Current in 2 µA units coded as 16 bit unsigned integer, low address is MSB.
180-183	all	RO Reserved
184-185	all	RO Tx Optical Power All Channels High Alarm Threshold: Optical power in 0.1 µW units coded as 16 bit unsigned integer, low address is MSB.
186-187	all	RO Tx Optical Power All Channels Low Alarm Threshold: Optical power in 0.1 µW units coded as 16 bit unsigned integer, low address is MSB.
188-223	all	RO Thresholds Reserved: Coded 00h
224	all	RO Check sum: Low order 8 bits of the sum of all bytes from 128 through 223 inclusive
225	7-1	RWn Reserved: Coded 0000000b
225	0	RWn IntL Pulse/Static Option: Writing 1 sets IntL to Static mode, Default is 0 for Pulse mode
226	7-4	RWn Reserved: Coded 0000b
226	3	RWn Input Polarity Flip Channel 11: Writing 1 inverts truth of the differential input pair, Default is 0.
226	2	RWn Input Polarity Flip Channel 10: Writing 1 inverts truth of the differential input pair, Default is 0.
226	1	RWn Input Polarity Flip Channel 9: Writing 1 inverts truth of the differential input pair, Default is 0.
226	0	RWn Input Polarity Flip Channel 8: Writing 1 inverts truth of the differential input pair, Default is 0.
227	7	RWn Input Polarity Flip Channel 7: Writing 1 inverts truth of the differential input pair, Default is 0.
227	6	RWn Input Polarity Flip Channel 6: Writing 1 inverts truth of the differential input pair, Default is 0.
227	5	RWn Input Polarity Flip Channel 5: Writing 1 inverts truth of the differential input pair, Default is 0.
227	4	RWn Input Polarity Flip Channel 4: Writing 1 inverts truth of the differential input pair, Default is 0.
227	3	RWn Input Polarity Flip Channel 3: Writing 1 inverts truth of the differential input pair, Default is 0.
227	2	RWn Input Polarity Flip Channel 2: Writing 1 inverts truth of the differential input pair, Default is 0.
227	1	RWn Input Polarity Flip Channel 1: Writing 1 inverts truth of the differential input pair, Default is 0.
227	0	RWn Input Polarity Flip Channel 0: Writing 1 inverts truth of the differential input pair, Default is 0.
228	7-4	RWn Tx Input Equalization Control Channel 11: See below for code description. Default = 7
228	3-0	RWn Tx Input Equalization Control Channel 10: See below for code description. Default = 7
229	7-4	RWn Tx Input Equalization Control Channel 9: See below for code description. Default = 7

229	3-0	RWn	Tx Input Equalization Control Channel 8: See below for code description. Default = 7
230	7-4	RWn	Tx Input Equalization Control Channel 7: See below for code description. Default = 7
230	3-0	RWn	Tx Input Equalization Control Channel 6: See below for code description. Default = 7
231	7-4	RWn	Tx Input Equalization Control Channel 5: See below for code description. Default = 7
231	3-0	RWn	Tx Input Equalization Control Channel 4: See below for code description. Default = 7
232	7-4	RWn	Tx Input Equalization Control Channel 3: See below for code description. Default = 7
232	3-0	RWn	Tx Input Equalization Control Channel 2: See below for code description. Default = 7
233	7-4	RWn	Tx Input Equalization Control Channel 1: See below for code description. Default = 7
233	3-0	RWn	Tx Input Equalization Control Channel 0: See below for code description. Default = 7
234-243	all	RWn	Reserved: Coded 00h
244	7	RWv	Mask High Tx Bias Current Alarm Channel 11: Writing 1 Prevents IntL generation, Default = 0
244	6	RWv	Mask Low Tx Bias Current Alarm Channel 11: Writing 1 Prevents IntL generation, Default = 0
244	5-4	RWv	Reserved
244	3	RWv	Mask High Tx Bias Current Alarm Channel 10: Writing 1 Prevents IntL generation, Default = 0
244	2	RWv	Mask Low Tx Bias Current Alarm Channel 10: Writing 1 Prevents IntL generation, Default = 0
244	1-0	RWv	Reserved
245	7	RWv	Mask High Tx Bias Current Alarm Channel 9: Writing 1 Prevents IntL generation, Default = 0
245	6	RWv	Mask Low Tx Bias Current Alarm Channel 9: Writing 1 Prevents IntL generation, Default = 0
245	5-4	RWv	Reserved
245	3	RWv	Mask High Tx Bias Current Alarm Channel 8: Writing 1 Prevents IntL generation, Default = 0
245	2	RWv	Mask Low Tx Bias Current Alarm Channel 8: Writing 1 Prevents IntL generation, Default = 0
245	1-0	RWv	Reserved
246	7	RWv	Mask High Tx Bias Current Alarm Channel 7: Writing 1 Prevents IntL generation, Default = 0
246	6	RWv	Mask Low Tx Bias Current Alarm Channel 7: Writing 1 Prevents IntL generation, Default = 0
246	5-4	RWv	Reserved
246	3	RWv	Mask High Tx Bias Current Alarm Channel 6: Writing 1 Prevents IntL generation, Default = 0
246	2	RWv	Mask Low Tx Bias Current Alarm Channel 6: Writing 1 Prevents IntL generation, Default = 0
246	1-0	RWv	Reserved
247	7	RWv	Mask High Tx Bias Current Alarm Channel 5: Writing 1 Prevents IntL generation, Default = 0
247	6	RWv	Mask Low Tx Bias Current Alarm Channel 5: Writing 1 Prevents IntL generation, Default = 0
247	5-4	RWv	Reserved
247	3	RWv	Mask High Tx Bias Current Alarm Channel 4: Writing 1 Prevents IntL generation, Default = 0
247	2	RWv	Mask Low Tx Bias Current Alarm Channel 4: Writing 1 Prevents IntL generation, Default = 0
247	1-0	RWv	Reserved
248	7	RWv	Mask High Tx Bias Current Alarm Channel 3: Writing 1 Prevents IntL generation, Default = 0
248	6	RWv	Mask Low Tx Bias Current Alarm Channel 3: Writing 1 Prevents IntL generation, Default = 0
248	5-4	RWv	Reserved
248	3	RWv	Mask High Tx Bias Current Alarm Channel 2: Writing 1 Prevents IntL generation, Default = 0
248	2	RWv	Mask Low Tx Bias Current Alarm Channel 2: Writing 1 Prevents IntL generation, Default = 0
248	1-0	RWv	Reserved
249	7	RWv	Mask High Tx Bias Current Alarm Channel 1: Writing 1 Prevents IntL generation, Default = 0
249	6	RWv	Mask Low Tx Bias Current Alarm Channel 1: Writing 1 Prevents IntL generation, Default = 0
249	5-4	RWv	Reserved
249	3	RWv	Mask High Tx Bias Current Alarm Channel 0: Writing 1 Prevents IntL generation, Default = 0
249	2	RWv	Mask Low Tx Bias Current Alarm Channel 0: Writing 1 Prevents IntL generation, Default = 0
249	1-0	RWv	Reserved
250	7	RWv	Mask High Tx Power Alarm Channel 11: Writing 1 Prevents IntL generation, Default = 0

250	6	RWv	Mask Low Tx Power Alarm Channel 11: Writing 1 Prevents IntL generation, Default = 0
250	5-4	RWv	Reserved
250	3	RWv	Mask High Tx Power Alarm Channel 10: Writing 1 Prevents IntL generation, Default = 0
250	2	RWv	Mask Low Tx Power Alarm Channel 10: Writing 1 Prevents IntL generation, Default = 0
250	1-0	RWv	Reserved
251	7	RWv	Mask High Tx Power Alarm Channel 9: Writing 1 Prevents IntL generation, Default = 0
251	6	RWv	Mask Low Tx Power Alarm Channel 9: Writing 1 Prevents IntL generation, Default = 0
251	5-4	RWv	Reserved
251	3	RWv	Mask High Tx Power Alarm Channel 8: Writing 1 Prevents IntL generation, Default = 0
251	2	RWv	Mask Low Tx Power Alarm Channel 8: Writing 1 Prevents IntL generation, Default = 0
251	1-0	RWv	Reserved
252	7	RWv	Mask High Tx Power Alarm Channel 7: Writing 1 Prevents IntL generation, Default = 0
252	6	RWv	Mask Low Tx Power Alarm Channel 7: Writing 1 Prevents IntL generation, Default = 0
252	5-4	RWv	Reserved
252	3	RWv	Mask High Tx Power Alarm Channel 6: Writing 1 Prevents IntL generation, Default = 0
252	2	RWv	Mask Low Tx Power Alarm Channel 6: Writing 1 Prevents IntL generation, Default = 0
252	1-0	RWv	Reserved
253	7	RWv	Mask High Tx Power Alarm Channel 5: Writing 1 Prevents IntL generation, Default = 0
253	6	RWv	Mask Low Tx Power Alarm Channel 5: Writing 1 Prevents IntL generation, Default = 0
253	5-4	RWv	Reserved
253	3	RWv	Mask High Tx Power Alarm Channel 4: Writing 1 Prevents IntL generation, Default = 0
253	2	RWv	Mask Low Tx Power Alarm Channel 4: Writing 1 Prevents IntL generation, Default = 0
253	1-0	RWv	Reserved
254	7	RWv	Mask High Tx Power Alarm Channel 3: Writing 1 Prevents IntL generation, Default = 0
254	6	RWv	Mask Low Tx Power Alarm Channel 3: Writing 1 Prevents IntL generation, Default = 0
254	5-4	RWv	Reserved
254	3	RWv	Mask High Tx Power Alarm Channel 2: Writing 1 Prevents IntL generation, Default = 0
254	2	RWv	Mask Low Tx Power Alarm Channel 2: Writing 1 Prevents IntL generation, Default = 0
254	1-0	RWv	Reserved
255	7	RWv	Mask High Tx Power Alarm Channel 1: Writing 1 Prevents IntL generation, Default = 0
255	6	RWv	Mask Low Tx Power Alarm Channel 1: Writing 1 Prevents IntL generation, Default = 0
255	5-4	RWv	Reserved
255	3	RWv	Mask High Tx Power Alarm Channel 0: Writing 1 Prevents IntL generation, Default = 0
255	2	RWv	Mask Low Tx Power Alarm Channel 0: Writing 1 Prevents IntL generation, Default = 0
255	1-0	RWv	Reserved

Transmitter Input Equalization Control Code Description

Control registers 228 through 233 permit input equalization control. Four bit code blocks (either bits 7 through 4 or 3 through 0 where bit 7 or 3 is the msb) are assigned to each channel.

Codes 1xxx are reserved.

Code 0111 calls for full scale equalization and code 0000 calls for no equalization.

Intermediate code values provide intermediate levels of compensation.

Rx Memory Map 5ih Lower Page

Details of the base or lower page of the memory map for a receiver follow.

Address	Type	Field Name/Description
Byte	Bit	
0	all	RO Type Identifier: Coded 00h for unspecified
1	all	RO Reserved: Coded 00h
2	7-3	RO Reserved: Coded 000000b
2	2	RO LOS Status: Coded 1 when a LOS flag (bytes 9 and 10 of this page) is asserted for any channel, else 0. Clears when LOS flags are cleared.
2	1	RO IntL Status: Coded 1 for asserted IntL. Clears to 0 when all flags including LOS are cleared.
2	0	RO Data Not Ready: Coded 1 until data is available in monitor registers. Coded 0 in normal operation.
3 - 8	all	RO Reserved: Coded 00h
9	7-4	RO Reserved: Coded 0000b
9	3	RO LOS Latched Rx Channel 11: Coded 1 when asserted, Latched, Clears on Read.
9	2	RO LOS Latched Rx Channel 10: Coded 1 when asserted, Latched, Clears on Read.
9	1	RO LOS Latched Rx Channel 9: Coded 1 when asserted, Latched, Clears on Read.
9	0	RO LOS Latched Rx Channel 8: Coded 1 when asserted, Latched, Clears on Read.
10	7	RO LOS Latched Rx Channel 7: Coded 1 when asserted, Latched, Clears on Read.
10	6	RO LOS Latched Rx Channel 6: Coded 1 when asserted, Latched, Clears on Read.
10	5	RO LOS Latched Rx Channel 5: Coded 1 when asserted, Latched, Clears on Read.
10	4	RO LOS Latched Rx Channel 4: Coded 1 when asserted, Latched, Clears on Read.
10	3	RO LOS Latched Rx Channel 3: Coded 1 when asserted, Latched, Clears on Read.
10	2	RO LOS Latched Rx Channel 2: Coded 1 when asserted, Latched, Clears on Read.
10	1	RO LOS Latched Rx Channel 1: Coded 1 when asserted, Latched, Clears on Read.
10	0	RO LOS Latched Rx Channel 0: Coded 1 when asserted, Latched, Clears on Read.
11-12	all	RO Reserved: Coded 00h
13	7	RO High Internal Temperature Alarm Latched: Coded 1 when asserted, Latched, Clears on Read.
13	6	RO Low Internal Temperature Alarm Latched: Coded 1 when asserted, Latched, Clears on Read.
13	5-0	RO Reserved
14	7	RO High Internal 3.3 Vcc Alarm Latched: Coded 1 when asserted, Latched, Clears on Read.
14	6	RO Low Internal 3.3 Vcc Alarm Latched: Coded 1 when asserted, Latched, Clears on Read.
14	5-4	RO Reserved
14	3	RO High Internal 2.5 Vcc Alarm Latched: Coded 1 when asserted, Latched, Clears on Read.
14	2	RO Low Internal 2.5 Vcc Alarm Latched: Coded 1 when asserted, Latched, Clears on Read.
14	1-0	RO Reserved
15-21	all	RO Reserved: Coded 00h
22	7	RO High Rx Power Alarm Latched Channel 11: Coded 1 when asserted, Latched, Clears on Read.
22	6	RO Low Rx Power Alarm Latched Channel 11: Coded 1 when asserted, Latched, Clears on Read.
22	5-4	RO Reserved
22	3	RO High Rx Power Alarm Latched Channel 10: Coded 1 when asserted, Latched, Clears on Read.
22	2	RO Low Rx Power Alarm Latched Channel 10: Coded 1 when asserted, Latched, Clears on Read.
22	1-0	RO Reserved
23	7	RO High Rx Power Alarm Latched Channel 9: Coded 1 when asserted, Latched, Clears on Read.
23	6	RO Low Rx Power Alarm Latched Channel 9: Coded 1 when asserted, Latched, Clears on Read.
23	5-4	RO Reserved
23	3	RO High Rx Power Alarm Latched Channel 8: Coded 1 when asserted, Latched, Clears on Read.
23	2	RO Low Rx Power Alarm Latched Channel 8: Coded 1 when asserted, Latched, Clears on Read.

23	1-0	RO	Reserved
24	7	RO	High Rx Power Alarm Latched Channel 7: Coded 1 when asserted, Latched, Clears on Read.
24	6	RO	Low Rx Power Alarm Latched Channel 7: Coded 1 when asserted, Latched, Clears on Read.
24	5-4	RO	Reserved
24	3	RO	High Rx Power Alarm Latched Channel 6: Coded 1 when asserted, Latched, Clears on Read.
24	2	RO	Low Rx Power Alarm Latched Channel 6: Coded 1 when asserted, Latched, Clears on Read.
24	1-0	RO	Reserved
25	7	RO	High Rx Power Alarm Latched Channel 5: Coded 1 when asserted, Latched, Clears on Read.
25	6	RO	Low Rx Power Alarm Latched Channel 5: Coded 1 when asserted, Latched, Clears on Read.
25	5-4	RO	Reserved
25	3	RO	High Rx Power Alarm Latched Channel 4: Coded 1 when asserted, Latched, Clears on Read.
25	2	RO	Low Rx Power Alarm Latched Channel 4: Coded 1 when asserted, Latched, Clears on Read.
25	1-0	RO	Reserved
26	7	RO	High Rx Power Alarm Latched Channel 3: Coded 1 when asserted, Latched, Clears on Read.
26	6	RO	Low Rx Power Alarm Latched Channel 3: Coded 1 when asserted, Latched, Clears on Read.
26	5-4	RO	Reserved
26	3	RO	High Rx Power Alarm Latched Channel 2: Coded 1 when asserted, Latched, Clears on Read.
26	2	RO	Low Rx Power Alarm Latched Channel 2: Coded 1 when asserted, Latched, Clears on Read.
26	1-0	RO	Reserved
27	7	RO	High Rx Power Alarm Latched Channel 1: Coded 1 when asserted, Latched, Clears on Read.
27	6	RO	Low Rx Power Alarm Latched Channel 1: Coded 1 when asserted, Latched, Clears on Read.
27	5-4	RO	Reserved
27	3	RO	High Rx Power Alarm Latched Channel 0: Coded 1 when asserted, Latched, Clears on Read.
27	2	RO	Low Rx Power Alarm Latched Channel 01: Coded 1 when asserted, Latched, Clears on Read.
27	1-0	RO	Reserved
28	all	RO	Internal Temperature Monitor MSB: Integer part coded in signed 2's complement. Tolerance is $\pm 3^{\circ}\text{C}$.
29	all	RO	Internal Temperature Monitor LSB: Fractional part in units of $1^{\circ}/256$ coded in binary.
30-31	all	RO	Reserved: Coded 00h
32-33	all	RO	Internal 3.3 Vcc Monitor: Voltage in 100 μV units coded as 16 bit unsigned integer, Byte 32 is MSB. Tolerance is $\pm 0.10\text{V}$.
34-35	all	RO	Internal 2.5 Vcc Monitor: Voltage in 100 μV units coded as 16 bit unsigned integer, Byte 34 is MSB. Tolerance is $\pm 0.075\text{V}$.
36-63	all	RO	Reserved: Coded 00h
64-65	all	RO	Rx Optical Input, PAVE, Monitor Channel 11: Optical power in 0.1 μW units coded as 16 bit unsigned integer, Byte 64 is MSB. Tolerance is $\pm 3\text{dB}$ for -10 dBm to -1.0 dBm range.
66-67	all	RO	Rx Optical Input, PAVE, Monitor Channel 10: Optical power in 0.1 μW units coded as 16 bit unsigned integer, Byte 66 is MSB. Tolerance is $\pm 3\text{dB}$ for -10 dBm to -1.0 dBm range.
68-69	all	RO	Rx Optical Input, PAVE, Monitor Channel 9: Optical power in 0.1 μW units coded as 16 bit unsigned integer, Byte 68 is MSB. Tolerance is $\pm 3\text{dB}$ for -10 dBm to -1.0 dBm range.
70-71	all	RO	Rx Optical Input, PAVE, Monitor Channel 8: Optical power in 0.1 μW units coded as 16 bit unsigned integer, Byte 70 is MSB. Tolerance is $\pm 3\text{dB}$ for -10 dBm to -1.0 dBm range.
72-73	all	RO	Rx Optical Input, PAVE, Monitor Channel 7: Optical power in 0.1 μW units coded as 16 bit unsigned integer, Byte 72 is MSB. Tolerance is $\pm 3\text{dB}$ for -10 dBm to -1.0 dBm range.
74-75	all	RO	Rx Optical Input, PAVE, Monitor Channel 6: Optical power in 0.1 μW units coded as 16 bit unsigned integer, Byte 74 is MSB. Tolerance is $\pm 3\text{dB}$ for -10 dBm to -1.0 dBm range.
76-77	all	RO	Rx Optical Input, PAVE, Monitor Channel 5: Optical power in 0.1 μW units coded as 16 bit unsigned integer, Byte 76 is MSB. Tolerance is $\pm 3\text{dB}$ for -10 dBm to -1.0 dBm range.
78-79	all	RO	Rx Optical Input, PAVE, Monitor Channel 4: Optical power in 0.1 μW units coded as 16 bit unsigned integer, Byte 78 is MSB. Tolerance is $\pm 3\text{dB}$ for -10 dBm to -1.0 dBm range.

80-81	all	RO	Rx Optical Input, PAVE, Monitor Channel 3: Optical power in 0.1 μ W units coded as 16 bit unsigned integer, Byte 80 is MSB. Tolerance is \pm 3dB for -10 dBm to -1.0 dBm range.
82-83	all	RO	Rx Optical Input, PAVE, Monitor Channel 2: Optical power in 0.1 μ W units coded as 16 bit unsigned integer, Byte 82 is MSB. Tolerance is \pm 3dB for -10 dBm to -1.0 dBm range.
84-85	all	RO	Rx Optical Input, PAVE, Monitor Channel 1: Optical power in 0.1 μ W units coded as 16 bit unsigned integer, Byte 84 is MSB. Tolerance is \pm 3dB for -10 dBm to -1.0 dBm range.
86-87	all	RO	Rx Optical Input, PAVE, Monitor Channel 0: Optical power in 0.1 μ W units coded as 16 bit unsigned integer, Byte 86 is MSB. Tolerance is \pm 3dB for -10 dBm to -1.0 dBm range.
88-89	all	RO	Elapsed (Power-on) Operating Time: Elapsed time in 2 hour units coded as 16 bit unsigned integer, Byte 88 is MSB, Tolerance is \pm 10%
90	all	RWv	Reserved: Coded 00h
91	7-1	RWv	Reserved: Coded 0000000b
91	0	RWv	Receiver Reset: Writing 1 return all registers except non-volatile RW to factory default values. Reads 0 after operation.
92	7-4	RWv	Reserved: Coded 0000b
92	3	RWv	Rx Channel 11 Disable: Writing 1 deactivates the electrical output, Default is 0.
92	2	RWv	Rx Channel 10 Disable: Writing 1 deactivates the electrical output, Default is 0.
92	1	RWv	Rx Channel 9 Disable: Writing 1 deactivates the electrical output, Default is 0.
92	0	RWv	Rx Channel 8 Disable: Writing 1 deactivates the electrical output, Default is 0.
93	7	RWv	Rx Channel 7 Disable: Writing 1 deactivates the electrical output, Default is 0.
93	6	RWv	Rx Channel 6 Disable: Writing 1 deactivates the electrical output, Default is 0.
93	5	RWv	Rx Channel 5 Disable: Writing 1 deactivates the electrical output, Default is 0.
93	4	RWv	Rx Channel 4 Disable: Writing 1 deactivates the electrical output, Default is 0.
93	3	RWv	Rx Channel 3 Disable: Writing 1 deactivates the electrical output, Default is 0.
93	2	RWv	Rx Channel 2 Disable: Writing 1 deactivates the electrical output, Default is 0.
93	1	RWv	Rx Channel 1 Disable: Writing 1 deactivates the electrical output, Default is 0.
93	0	RWv	Rx Channel 0 Disable: Writing 1 deactivates the electrical output, Default is 0.
94	7-4	RWv	Reserved: Coded 0000b
94	3	RWv	Squelch Disable Channel 11: Writing 1 inhibits squelch for the channel, Default is 0.
94	2	RWv	Squelch Disable Channel 10: Writing 1 inhibits squelch for the channel, Default is 0.
94	1	RWv	Squelch Disable Channel 9: Writing 1 inhibits squelch for the channel, Default is 0.
94	0	RWv	Squelch Disable Channel 8: Writing 1 inhibits squelch for the channel, Default is 0.
95	7	RWv	Squelch Disable Channel 7: Writing 1 inhibits squelch for the channel, Default is 0.
95	6	RWv	Squelch Disable Channel 6: Writing 1 inhibits squelch for the channel, Default is 0.
95	5	RWv	Squelch Disable Channel 5: Writing 1 inhibits squelch for the channel, Default is 0.
95	4	RWv	Squelch Disable Channel 4: Writing 1 inhibits squelch for the channel, Default is 0.
95	3	RWv	Squelch Disable Channel 3: Writing 1 inhibits squelch for the channel, Default is 0.
95	2	RWv	Squelch Disable Channel 2: Writing 1 inhibits squelch for the channel, Default is 0.
95	1	RWv	Squelch Disable Channel 1: Writing 1 inhibits squelch for the channel, Default is 0.
95	0	RWv	Squelch Disable Channel 0: Writing 1 inhibits squelch for the channel, Default is 0.
96	7-6	RWv	Rate Select Channel 11: Write 00 for max. BW, 01 for SDR BW, rest reserved. Default is 00
96	5-4	RWv	Rate Select Channel 10: Write 00 for max. BW, 01 for SDR BW, rest reserved. Default is 00
96	3-2	RWv	Rate Select Channel 9: Write 00 for max. BW, 01 for SDR BW, rest reserved. Default is 00
96	1-0	RWv	Rate Select Channel 8: Write 00 for max. BW, 01 for SDR BW, rest reserved. Default is 00
97	7-6	RWv	Rate Select Channel 7: Write 00 for max. BW, 01 for SDR BW, rest reserved. Default is 00
97	5-4	RWv	Rate Select Channel 6: Write 00 for max. BW, 01 for SDR BW, rest reserved. Default is 00
97	3-2	RWv	Rate Select Channel 5: Write 00 for max. BW, 01 for SDR BW, rest reserved. Default is 00
97	1-0	RWv	Rate Select Channel 4: Write 00 for max. BW, 01 for SDR BW, rest reserved. Default is 00
98	7-6	RWv	Rate Select Channel 3: Write 00 for max. BW, 01 for SDR BW, rest reserved. Default is 00

98	5-4	RWv	Rate Select Channel 2: Write 00 for max. BW, 01 for SDR BW, rest reserved. Default is 00
98	3-2	RWv	Rate Select Channel 1: Write 00 for max. BW, 01 for SDR BW, rest reserved. Default is 00
98	1-0	RWv	Rate Select Channel 0: Write 00 for max. BW, 01 for SDR BW, rest reserved. Default is 00
99-105	all	RWv	Reserved: Coded 00h
106-111	all	RWv	Reserved: Coded 00h
112	7-4	RWv	Reserved: Coded 0000b
112	3	RWv	Mask LOS Rx Channel 11: Writing 1 Prevents IntL generation, Default = 0
112	2	RWv	Mask LOS Rx Channel 10: Writing 1 Prevents IntL generation, Default = 0
112	1	RWv	Mask LOS Rx Channel 9: Writing 1 Prevents IntL generation, Default = 0
112	0	RWv	Mask LOS Rx Channel 8: Writing 1 Prevents IntL generation, Default = 0
113	7	RWv	Mask LOS Rx Channel 7: Writing 1 Prevents IntL generation, Default = 0
113	6	RWv	Mask LOS Rx Channel 6: Writing 1 Prevents IntL generation, Default = 0
113	5	RWv	Mask LOS Rx Channel 5: Writing 1 Prevents IntL generation, Default = 0
113	4	RWv	Mask LOS Rx Channel 4: Writing 1 Prevents IntL generation, Default = 0
113	3	RWv	Mask LOS Rx Channel 3: Writing 1 Prevents IntL generation, Default = 0
113	2	RWv	Mask LOS Rx Channel 2: Writing 1 Prevents IntL generation, Default = 0
113	1	RWv	Mask LOS Rx Channel 1: Writing 1 Prevents IntL generation, Default = 0
113	0	RWv	Mask LOS Rx Channel 0: Writing 1 Prevents IntL generation, Default = 0
114-115	all	RWv	Reserved: Coded 00h
116	7	RWv	Mask Internal High Temperature Alarm: Writing 1 Prevents IntL generation, Default = 0
116	6	RWv	Mask Internal Low Temperature Alarm: Writing 1 Prevents IntL generation, Default = 0
116	5-0	RWv	Reserved
117	7	RWv	Mask Internal High 3.3 Vcc Alarm: Writing 1 Prevents IntL generation, Default = 0
117	6	RWv	Mask Internal Low 3.3 Vcc Alarm: Writing 1 Prevents IntL generation, Default = 0
117	5-4	RWv	Reserved
117	3	RWv	Mask Internal High 2.5 Vcc Alarm: Writing 1 Prevents IntL generation, Default = 0
117	2	RWv	Mask Internal Low 2.5 Vcc Alarm: Writing 1 Prevents IntL generation, Default = 0
117	1-0	RWv	Reserved
118	all	RWv	Reserved: Coded 00h
119-122	all	RW	Reserved: Coded 00h
123-126	all	RW	Reserved: Coded 00h
127	all	RWv	Page Select Byte

Rx Memory Map 00h Upper Page

Receiver serial id page 00h entries follow. Description of the registers can be found in Section 9 below.

Address	Contents	Type	Field Name/Description
Byte	Bit	Code	
128	all	00h	RO Type Identifier: Coded 00h for unspecified. See SFF-8472 for reference
129	all	01000000b	RO Module Description: Coded for < 2.0 W
130	all	11000000b	RO Required Power Supplies: Coded for 3.3V & 2.5V supplies
131	all	01010000b	RO Max Recommended Operating Case Temperature in Degrees C: Coded for 80°C
132	all	00011001b	RO Min Bit Rate in 100 Mb/s units: Coded for 2500 Mb/s
133	all	00111111b	RO Max Bit Rate in 100 Mb/s units: Coded for 6250 Mb/s
134-135	all	00h	RO Nominal Laser Wavelength (Wavelength in nm = value / 20): Coded 00h for Rx
136-137	all	00h	RO Wavelength deviation from nominal (tolerance in nm = +/- value / 200): Coded 00h for Rx
138	all	00101000b	RO Supported Flags/Actions: Coded for Rx LOS, Output Squelch for LOS, Alarm Flags
139	all	00110101b	RO Supported Monitors: Coded for Rx Input, Pave, Internal Temp, Elapsed Time
140	all	01100000b	RO Supported Monitors: Coded for 3.3V, 2.5V
141	all	10101000b	RO Supported Controls: Coded for Ch Disable, Squelch Disable, Rate Select
142	all	10100011b	RO Supported Controls: Coded for Rx Amplitude, Rx De-emphasis, Ch Polarity Flip, Addressing
143	all	00h	RO Supported Functions
144-151	all	00h	RO Reserved
152-167	all	41h 56h 41h 47h 4Fh 20h 20h x10	RO Vendor Name in ASCII: Coded "AVAGO" for Avago Technologies, Spaces (20h) for unused characters
168-170	all	00h 17h 6Ah	RO Vendor OUI (IEEE ID): Coded "00h 17h 6Ah" for Avago Technologies
171-186	all	41h 46h 42h 52h 2Dh 37h 38h 35h 42h ...	RO Vendor Part Number in ASCII: AFBR-786B... where bytes 180 through 186 vary with selected option, Spaces (20h) for unused characters
187-188	all	30h 32h	RO Vendor Revision Number in ASCII: Coded "02"
189-204	all		RO Vendor Serial Number (ASCII): Varies by unit
205-212	all		RO Vendor Date Code YYYYMMDD (ASCII): Spaces (20h) for unused characters
213-222	all		RO CLEI Code in ASCII: All spaces (20h) if unused
223	all		RO Check sum addresses 128 through 222
224-255	all		RO Vendor Specific: All zeroes if unused

Rx Memory Map 01h Upper Page

Details of receiver upper page 01h follow.

Address	Type	Field Name/Description
Byte	Bit	
128	all	RO Internal Temperature High Alarm Threshold MSB: Integer part coded in signed 2's complement
129	all	RO Internal Temperature High Alarm Threshold LSB: Fractional part in units of 1°/256 coded in binary.
130	all	RO Internal Temperature Low Alarm Threshold MSB: Integer part coded in signed 2's complement
131	all	RO Internal Temperature Low Alarm Threshold LSB: Fractional part in units of 1°/256 coded in binary.
132-143	all	RO Reserved
144-145	all	RO Internal 3.3 Vcc High Alarm Threshold: Voltage in 100 µV units coded as 16 bit unsigned integer, low address is MSB.
146-147	all	RO Internal 3.3 Vcc Low Alarm Threshold: Voltage in 100 µV units coded as 16 bit unsigned integer, low address is MSB.
148-151	all	RO Reserved
152-153	all	RO Internal 2.5 Vcc High Alarm Threshold: Voltage in 100 µV units coded as 16 bit unsigned integer, low address is MSB.
154-155	all	RO Internal 2.5 Vcc Low Alarm Threshold: Voltage in 100 µV units coded as 16 bit unsigned integer, low address is MSB.
156-159	all	RO Reserved
160-183	all	RO Thresholds Reserved: Coded 00h
184-185	all	RO Rx Optical Power All Channels High Alarm Threshold: Optical power in 0.1 µW units coded as 16 bit unsigned integer, low address is MSB.
186-187	all	RO Rx Optical Power All Channels Low Alarm Threshold: Optical power in 0.1 µW units coded as 16 bit unsigned integer, low address is MSB.
188-223	all	RO Thresholds Reserved: Coded 00h
224	all	RO Check sum: Low order 8 bits of the sum of all bytes from 128 through 223 inclusive
225	7-1	RWn Reserved: Coded 0000000b
225	0	RWn IntL Pulse/Static Option: Writing 1 sets IntL to Static mode, Default is 0 for Pulse mode
226	7-4	RWn Reserved: Coded 0000b
226	3	RWn Output Polarity Flip Channel 11: Writing 1 inverts truth of the differential output pair, Default is 0.
226	2	RWn Output Polarity Flip Channel 10: Writing 1 inverts truth of the differential output pair, Default is 0.
226	1	RWn Output Polarity Flip Channel 9: Writing 1 inverts truth of the differential output pair, Default is 0.
226	0	RWn Output Polarity Flip Channel 8: Writing 1 inverts truth of the differential output pair, Default is 0.
227	7	RWn Output Polarity Flip Channel 4: Writing 1 inverts truth of the differential output pair, Default is 0.
227	6	RWn Output Polarity Flip Channel 6: Writing 1 inverts truth of the differential output pair, Default is 0.
227	5	RWn Output Polarity Flip Channel 5: Writing 1 inverts truth of the differential output pair, Default is 0.
227	4	RWn Output Polarity Flip Channel 4: Writing 1 inverts truth of the differential output pair, Default is 0.
227	3	RWn Output Polarity Flip Channel 3: Writing 1 inverts truth of the differential output pair, Default is 0.
227	2	RWn Output Polarity Flip Channel 2: Writing 1 inverts truth of the differential output pair, Default is 0.
227	1	RWn Output Polarity Flip Channel 1: Writing 1 inverts truth of the differential output pair, Default is 0.
227	0	RWn Output Polarity Flip Channel 0: Writing 1 inverts truth of the differential output pair, Default is 0.
228	7-4	RWn Rx Output Amplitude Control: Channel 11. See below for code description. Default = 0011b
228	3-0	RWn Rx Output Amplitude Control: Channel 10. See below for code description. Default = 0011b
229	7-4	RWn Rx Output Amplitude Control: Channel 9. See below for code description. Default = 0011b
229	3-0	RWn Rx Output Amplitude Control: Channel 8. See below for code description. Default = 0011b
230	7-4	RWn Rx Output Amplitude Control: Channel 7. See below for code description. Default = 0011b
230	3-0	RWn Rx Output Amplitude Control: Channel 6. See below for code description. Default = 0011b
231	7-4	RWn Rx Output Amplitude Control: Channel 5. See below for code description. Default = 0011b

231	3-0	RWn	Rx Output Amplitude Control: Channel 4. See below for code description. Default = 0011b
232	7-4	RWn	Rx Output Amplitude Control: Channel 3. See below for code description. Default = 0011b
232	3-0	RWn	Rx Output Amplitude Control: Channel 2. See below for code description. Default = 0011b
233	7-4	RWn	Rx Output Amplitude Control: Channel 1. See below for code description. Default = 0011b
233	3-0	RWn	Rx Output Amplitude Control: Channel 0. See below for code description. Default = 0011b
234	7-4	RWn	Rx Output De-emphasis Control: Channel 11. See below for code description. Default = 0
234	3-0	RWn	Rx Output De-emphasis Control: Channel 10. See below for code description. Default = 0
235	7-4	RWn	Rx Output De-emphasis Control: Channel 9. See below for code description. Default = 0
235	3-0	RWn	Rx Output De-emphasis Control: Channel 8. See below for code description. Default = 0
236	7-4	RWn	Rx Output De-emphasis Control: Channel 7. See below for code description. Default = 0
236	3-0	RWn	Rx Output De-emphasis Control: Channel 6. See below for code description. Default = 0
237	7-4	RWn	Rx Output De-emphasis Control: Channel 5. See below for code description. Default = 0
237	3-0	RWn	Rx Output De-emphasis Control: Channel 4. See below for code description. Default = 0
238	7-4	RWn	Rx Output De-emphasis Control: Channel 3. See below for code description. Default = 0
238	3-0	RWn	Rx Output De-emphasis Control: Channel 2. See below for code description. Default = 0
239	7-4	RWn	Rx Output De-emphasis Control: Channel 1. See below for code description. Default = 0
239	3-0	RWn	Rx Output De-emphasis Control: Channel 0. See below for code description. Default = 0
240-243	all	RWn	Reserved: Coded 00h
244-249	all	RWv	Reserved: Coded 00h
250	7	RWv	Mask High Rx Power Alarm Channel 11: Writing 1 Prevents IntL generation, Default = 0
250	6	RWv	Mask Low Rx Power Alarm Channel 11: Writing 1 Prevents IntL generation, Default = 0
250	5-4	RWv	Reserved
250	3	RWv	Mask High Rx Power Alarm Channel 10: Writing 1 Prevents IntL generation, Default = 0
250	2	RWv	Mask Low Rx Power Alarm Channel 10: Writing 1 Prevents IntL generation, Default = 0
250	1-0	RWv	Reserved
251	7	RWv	Mask Bt High Rx Power Alarm Channel 9: Writing 1 Prevents IntL generation, Default = 0
251	6	RWv	Mask Low Rx Power Alarm Channel 9: Writing 1 Prevents IntL generation, Default = 0
251	5-4	RWv	Reserved
251	3	RWv	Mask High Rx Power Alarm Channel 8: Writing 1 Prevents IntL generation, Default = 0
251	2	RWv	Mask Low Rx Power Alarm Channel 8: Writing 1 Prevents IntL generation, Default = 0
251	1-0	RWv	Reserved
252	7	RWv	Mask High Rx Power Alarm Channel 7: Writing 1 Prevents IntL generation, Default = 0
252	6	RWv	Mask Low Rx Power Alarm Channel 7: Writing 1 Prevents IntL generation, Default = 0
252	5-4	RWv	Reserved
252	3	RWv	Mask High Rx Power Alarm Channel 6: Writing 1 Prevents IntL generation, Default = 0
252	2	RWv	Mask Low Rx Power Alarm Channel 6: Writing 1 Prevents IntL generation, Default = 0
252	1-0	RWv	Reserved
253	7	RWv	Mask High Rx Power Alarm Channel 5: Writing 1 Prevents IntL generation, Default = 0
253	6	RWv	Mask Low Rx Power Alarm Channel 5: Writing 1 Prevents IntL generation, Default = 0
253	5-4	RWv	Reserved
253	3	RWv	Mask High Rx Power Alarm Channel 4: Writing 1 Prevents IntL generation, Default = 0
253	2	RWv	Mask Low Rx Power Alarm Channel 4: Writing 1 Prevents IntL generation, Default = 0
253	1-0	RWv	Reserved
254	7	RWv	Mask High Rx Power Alarm Channel 3: Writing 1 Prevents IntL generation, Default = 0
254	6	RWv	Mask Low Rx Power Alarm Channel 3: Writing 1 Prevents IntL generation, Default = 0
254	5-4	RWv	Reserved
254	3	RWv	Mask High Rx Power Alarm Channel 2: Writing 1 Prevents IntL generation, Default = 0

254	2	RWv	Mask Low Rx Power Alarm Channel 2: Writing 1 Prevents IntL generation, Default = 0
254	1-0	RWv	Reserved
255	7	RWv	Mask High Rx Power Alarm Channel 1: Writing 1 Prevents IntL generation, Default = 0
255	6	RWv	Mask Low Rx Power Alarm Channel 1: Writing 1 Prevents IntL generation, Default = 0
255	5-4	RWv	Reserved
255	3	RWv	Mask High Rx Power Alarm Channel 0: Writing 1 Prevents IntL generation, Default = 0
255	2	RWv	Mask Low Rx Power Alarm Channel 0: Writing 1 Prevents IntL generation, Default = 0
255	1-0	RWv	Reserved

Receiver Output Amplitude Control Code Description

Control registers 228 through 233 permit output signal amplitude selection. Four bit code blocks (either bits 7 through 4 or 3 through 0 where bit 7 or 3 is the msb) are assigned to each channel. Codes 1xxx are reserved. Code 0111 calls for full scale signal amplitude and code 0000 calls for minimum signal amplitude. See table below.

Code	Receiver Output Amplitude – No De-emphasis				Reference
	Min	Nominal	Max	Units	
1xxxb					Reserved
0111b		850		mVpp	Full Scale
0110b		760		mVpp	
0101b		670		mVpp	
0100b		580		mVpp	
0011b		490		mVpp	Default setting
0010b		400		mVpp	
0001b		310		mVpp	
0000b		220		mVpp	

Receiver Output De-emphasis Control Code Description

Control registers 234 through 239 permit output de-emphasis selection. Four bit code blocks (either bits 7 through 4 or 3 through 0 where bit 7 or 3 is the msb) are assigned to each channel.

Codes 1xxx are reserved.

Code 0111 calls for full scale, 6 dB, de-emphasis and code 0000 calls for no de-emphasis.

Intermediate code values yield intermediate de-emphasis levels

Serial ID 00h Upper Page Description

Description of Serial id page 00h codes follows.

Byte 128 Module Type

Address		Field Name/Description
Byte	Code	Module Type
128		Type Identifier: See SFF-8472 for reference, also SFP & XFP MSA, Coded 00h if unspecified.

Byte 129 Module Description

Address			Field Name/Description
Byte	Bit	Code	
129	7-6	00b	Power Class 1: Module Power Consumption < 1.5 W
	7-6	01b	Power Class 2: Module Power Consumption < 2.0 W
	7-6	10b	Power Class 3: Module Power Consumption < 2.5 W
	7-6	11b	Power Class 4: Module Power Consumption < 3.5 W
	5		Coded 1 for Tx CDR provided; else coded 0
	4		Coded 1 for Rx CDR provided; else coded 0
	3		Coded 1 for Required Reference Clock; else coded 0
	2		Coded 1 for Page 02 provided; else coded 0
	1		Coded 1 for Controlled Launch Transmitter (TIA 492AAAC); else coded 0
	0		Reserved

Byte 130 Module Description: Required Power Supplies

Address			Field Name/Description
Byte	Bit	Code	
130	7		3.3 V, Coded 1 if required, else coded 0.
	6		2.5 V, Coded 1 if required, else coded 0.
	5		1.8 V, Coded 1 if required, else coded 0.
	4		Vo Supply, Coded 1 if required, else coded 0.
	3		Variable Supply, Coded 1 if required, else coded 0.
	2-0		Reserved

Byte 131 Module Description: Max Recommended Operating Case Temperature

Address			Field Name/Description
Byte	Bit	Code	
131			Max Tc = binary value x 1.0°C

Byte 132 Module Description Min Signal Rate per channel

Address			Field Name/Description
Byte	Code		
132	00h		Unknown/unspecified
	rest		Min Signal Rate = binary value x 100 Mb/s

Byte 133 Module Description Max Signal Rate per channel

Address		Field Name/Description
Byte	Code	
133	00h	Unknown/unspecified
		Max Signal Rate = binary value x 100 Mb/s

Byte 134 - 137 Module Description Wavelength & Tolerance

Address		Field Name/Description
Byte	Code	
134-135		Nominal Center Wavelength: Wavelength in nm = binary value / 20, Coded 00b if unspecified/unused.
136-137		Wavelength Tolerance: Tolerance in nm = \pm binary value / 200, Coded 00b if unspecified/unused.

Byte 138 Supported Functions – Flags/Actions

Address			Field Name/Description
Byte	Bit	Code	
138	7		Coded 1 for Tx Fault Flag provided, else coded 0
	6		Coded 1 for Tx LOS Flag provided, else coded 0
	5		Coded 1 for Rx LOS Flag provided, else coded 0
	4		Coded 1 for CDR LOL Flag provided, else coded 0
	3		Coded 1 for Output Squelch for LOS provided, else coded 0
	2		Coded 1 for Monitor Alarm & Warning Flags provided, coded 0 for Monitor Alarm Flags provided
	1-0		Reserved

Byte 139 - 140 Supported Functions - Monitors

Address			Field Name/Description
Byte	Bit	Code	
139	7		Coded 1 for Tx Bias Monitor, else coded 0
139	6		Coded 1 for Tx LOP Monitor, else coded 0
139	5		Coded 1 for individual Rx Input Power Monitors, coded 0 for single-channel or group monitor
139	4		Coded 1 for Rx Input Power reported as Pave, coded 0 for reported as OMA
139	3		Coded 1 for Case Temperature Monitor, else coded 0
139	2		Coded 1 for Internal Temperature Monitor, else coded 0
139	1		Coded 1 for Peak Temperature Monitor, else coded 0
139	0		Coded 1 for Elapsed Time Monitor, else coded 0
140	7		Coded 1 for BER Monitor, else coded 0
140	6		Coded 1 for Internal 3.3 V Vcc Monitor, else coded 0
140	5		Coded 1 for Internal 2.5 V Vcc Monitor, else coded 0
140	4		Coded 1 for Internal 1.8 V Vcc Monitor, else coded 0
140	3		Coded 1 for Internal Vo Vcc Monitor, else coded 0
140	2		Coded 1 for TEC current Monitor, else coded 0
140	1-0		Reserved

Byte 141 Supported Functions – Controls

Address			Field Name/Description
Byte	Bit	Code	
141	7-6	00	Channel Disable Control not provided/unspecified
	7-6	01	Global Channel Disable Control implemented
	7-6	10	Individual and independent Channel Disable Control implemented
	7-6	11	Reserved
	5-4	00	Squelch Disable Control not provided/unspecified
	5-4	01	Global Squelch Disable Control implemented
	5-4	10	Individual and independent Channel Squelch Control implemented
	5-4	11	Reserved
	3-2	00	Rate Select Control not provided/unspecified
	3-2	01	Global Rate Select Control implemented
	3-2	10	Individual and independent Rate Select Control implemented
	3-2	11	Reserved
	1-0	00	Tx Input Equalization Control not provided/unspecified
	1-0	01	Global Tx Input Equalization Control implemented
	1-0	10	Individual and independent Tx Input Equalization Control implemented
	1-0	11	Reserved

Byte 142 Supported Functions – Controls

Address			Field Name/Description
Byte	Bit	Code	
142	7-6	00	Rx Output Amplitude Control not provided/unspecified
	7-6	01	Global Rx Output Amplitude Control implemented
	7-6	10	Individual and independent Rx Output Amplitude Control implemented
	7-6	11	Reserved
	5-4	00	Rx Output De-emphasis Control not provided/unspecified
	5-4	01	Global Rx Output De-emphasis Control implemented
	5-4	10	Individual and independent Rx Output De-emphasis Control implemented
	5-4	11	Reserved
	3		Coded 1 for Tx Margin Mode provided, else coded 0
	2		Coded 1 for Channel Reset Control provided, else coded 0
	1		Coded 1 for Channel Polarity Flip Control provided, else coded 0
	0		Coded 1 for Module Addressing Control provided, else coded 0

Byte 143 Supported Functions

Address			Field Name/Description
Byte	Bit	Code	
143	7		Coded 1 for FEC Control, else coded 0
	6		Coded 1 for PEC Control, else coded 0
	5		Coded 1 for JTAG Control, else coded 0
	4		Coded 1 for AC-JTAG Control, else coded 0
	3		Coded 1 for BIST, else coded 0
	2		Coded 1 for TEC Temperature Control, else coded 0
	1		Coded 1 for Sleep Mode Set Control provided, else coded 0
	0		Coded 1 for CDR Bypass Control provided, else coded 0

Byte144 - 151 Reserved

Address			Field Name/Description
Byte	Bit	Code	
144-151			Reserved: Coded 00h

Byte 152 - 221 Vendor Information

Address			Field Name/Description
Byte	Bit	Code	
152-167			Vendor Name ASCII – 16 bytes
168-170			Vendor OUI – 3 bytes; Unspecified where coded all zeroes
171-186			Vendor Part Number ASCII – 16 bytes
187-188			Vendor Revision Number ASCII – 2 bytes
189-204			Vendor Serial Number ASCII – 16 bytes
205-212			Vendor Date Code ASCII – 8 bytes; coded YYYYMMDD with spaces (20h) for unused characters
213-222			CLEI Code – 10 bytes; Unspecified where coded all zeroes

Byte 223 Check Sum for bytes 128 through 222

Address			Field Name/Description
Byte	Bit	Code	
223			Check Code – 1 byte: Low order 8 bits of the sum of all bytes from 128 through 222 inclusive.

Byte 224 - 255 Vendor Specific

Address			Field Name/Description
Byte	Bit	Code	
224-255			Vendor Specific – 32 bytes

For product information and a complete list of distributors, please go to our web site: www.avagotech.com

Avago, Avago Technologies, and the A logo are trademarks of Avago Technologies in the United States and other countries. Data subject to change. Copyright © 2005-2013 Avago Technologies. All rights reserved. AV02-1479EN - January 29, 2013

