

阅读申明

- 1.本站收集的数据手册和产品资料都来自互联网，版权归原作者所有。如读者和版权方有任何异议请及时告之，我们将妥善解决。
- 2.本站提供的中文数据手册是英文数据手册的中文翻译，其目的是协助用户阅读，该译文无法自动跟随原稿更新，同时也可能存在翻译上的不当。建议读者以英文原稿为参考以便获得更精准的信息。
- 3.本站提供的产品资料，来自厂商的技术支持或者使用者的心得体会等，其内容可能存在描述上的差异，建议读者做出适当判断。
- 4.如需与我们联系，请发邮件到marketing@iczoom.com，主题请标有“数据手册”字样。

Read Statement

1. The datasheets and other product information on the site are all from network reference or other public materials, and the copyright belongs to the original author and original published source. If readers and copyright owners have any objections, please contact us and we will deal with it in a timely manner.
2. The Chinese datasheets provided on the website is a Chinese translation of the English datasheets. Its purpose is for reader's learning exchange only and do not involve commercial purposes. The translation cannot be automatically updated with the original manuscript, and there may also be improper translations. Readers are advised to use the English manuscript as a reference for more accurate information.
3. All product information provided on the website refer to solutions from manufacturers' technical support or users the contents may have differences in description, and readers are advised to take the original article as the standard.
4. If you have any questions, please contact us at marketing@iczoom.com and mark the subject with "Datasheets" .

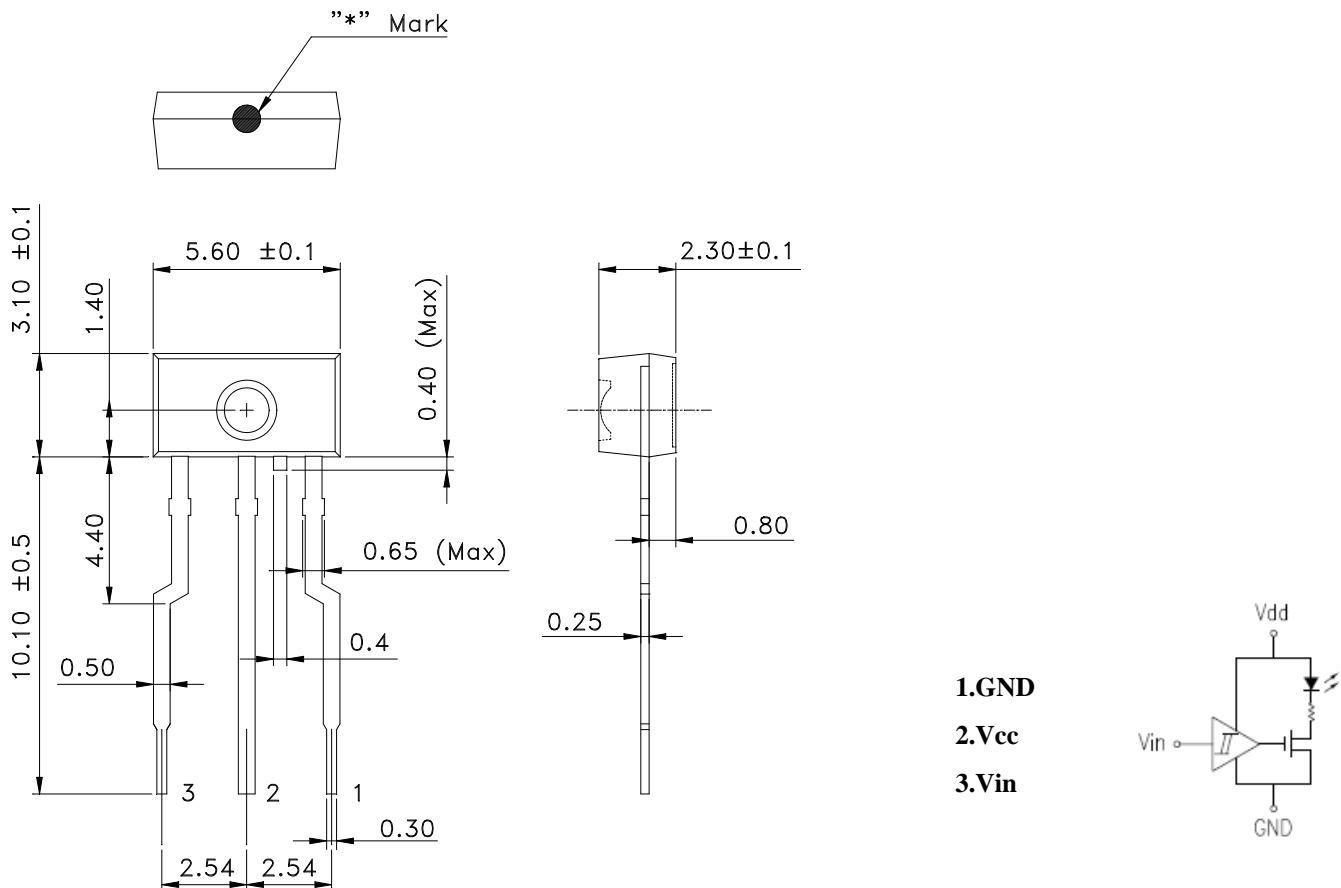
FEATURES

- * TTL INTERFACE COMPATIBLE
- * HIGH SPEED OPTIC SIGNAL TRANSMISSION
- * BUILT-IN LED DRIVER
- * LOW POWER CONSUMPTION

V_{DD}	V_{in}	LED	V_{DD}	V_{in}	LED
2.7V ~ 5.25V	HIGH	ON	FLOATING	HIGH	OFF
2.7V ~ 5.25V	LOW	OFF	FLOATING	LOW	OFF
2.7V ~ 5.25V	FLOATING	OFF			

- * WATER CLEAR COMPOUND PACKAGED.

PACKAGE DIMENSIONS



NOTES:

1. All dimensions are in millimeters (inches).
2. Tolerance is $\pm 0.15\text{mm}$ (.004") unless otherwise noted.
3. Lead spacing is measured where the leads emerge from the package.
4. Mark: Black color.



LITE-ON TECHNOLOGY CORPORATION

Property of Lite-On Only

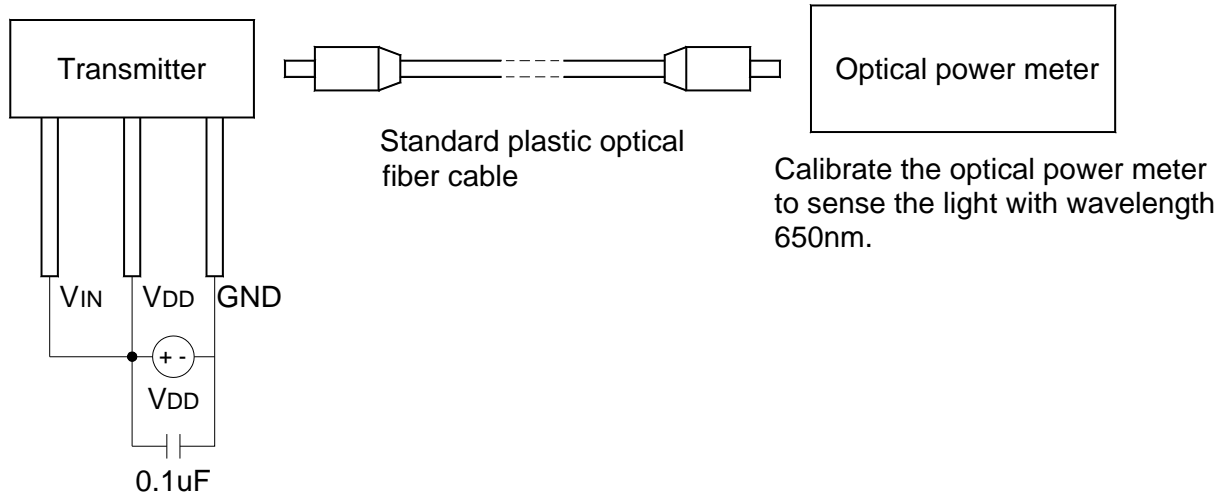
ABSOLUTE MAXIMUM RATINGS AT TA=25°C

PARAMETER	MAXIMUM RATING	UNIT
Supply Voltage (V _{DD})	-0.5 ~ +7	V
Input Voltage (V _{IN})	-0.5 ~ V _{DD} +0.5	V
Power Dissipation (P)	120	mW
Human Body Model ESD (HBM)	3K	V
Machine Model ESD (MM)	300	V
Operating Temperature Range	-25 °C to + 70 °C	
Storage Temperature Range	-40 °C to + 70 °C	
Lead Soldering Temperature [1.6mm(.063") From Body]	260°C for 5 Seconds	

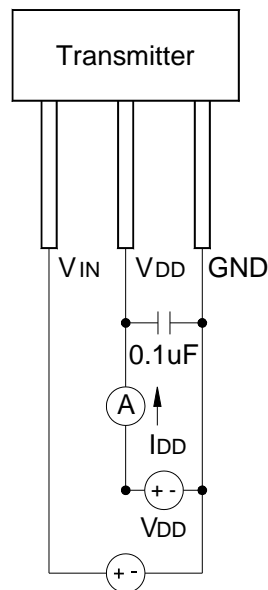
ELECTRICAL OPTICAL CHARACTERISTICS AT TA=25°C

PARAMETER	SYMBOL	MIN.	TYP.	MAX.	UNIT	TEST CONDITION
Transmission Speed	T _s	—	—	25	Mbps	NRZ signal
Operating Voltage	V _{DD}	2.75	—	5.25	V	
Peak Emission Wavelength	λ _{Peak}	630	650	690	nm	
Fiber coupling light output	P _c	-21	-17	-15	dBm	*1
Dissipation current	I _{DD}	—	5	12	mA	*2
High level input voltage	V _{IH}	2	—	—	V	
Low level input voltage	V _{IL}	—	—	0.8	V	
“Low→High”propagation delay time	t _{PLH}	—	—	100	ns	*3
“High→Low”propagation delay time	t _{PHL}	—	—	100	ns	
Pulse width distortion	Δt _w	-15	—	15	ns	
Jitter	Δt _j	—	—	15	ns	

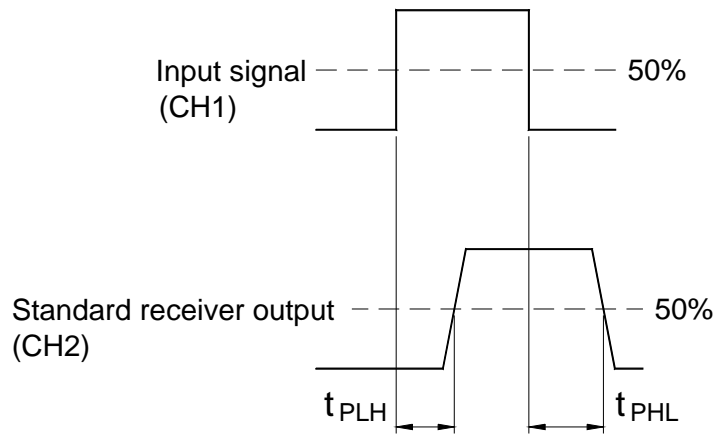
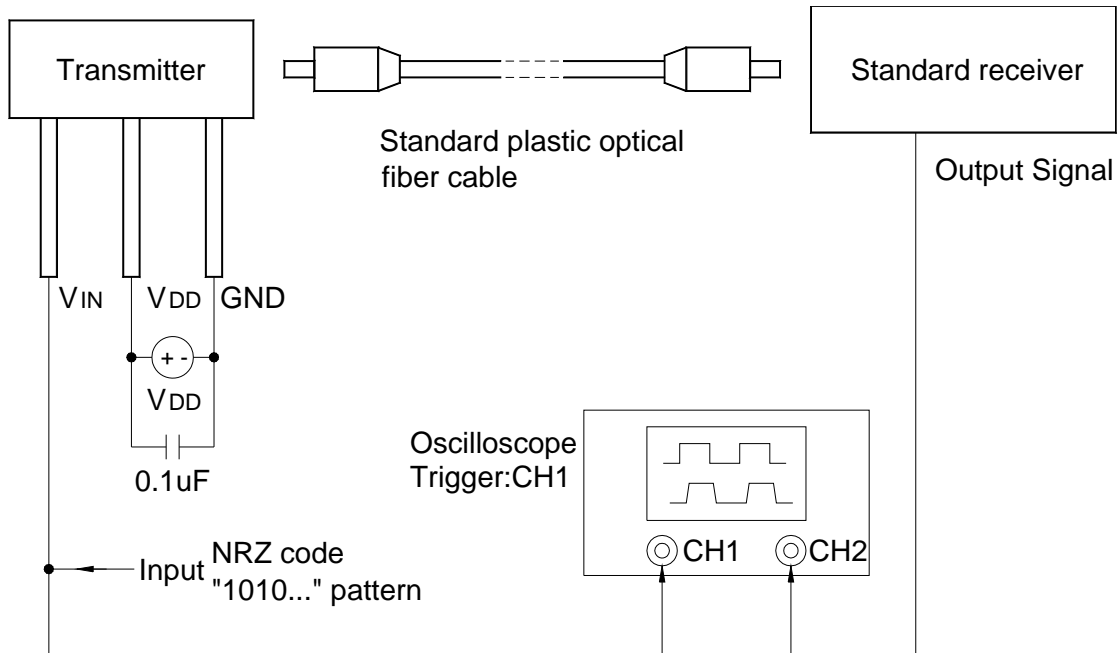
***1 Measuring method of optical output coupling power**



***2 Power dissipation measuring method**



***3 Measuring pulse response**



Pulse width distortion $\Delta tw = t_{PHL} - t_{PLH}$

Note

(1) The impedance of the probe for the oscilloscope must be more than 1MΩ and less than 10pf.



CAUTIONS

1. Storage

- For the devices which are stored out of their original packag for more than eight hours, it is better to bake them at about $100\pm 5^{\circ}\text{C}$ for at least 4 hours before assembling.

2. ESD (Electrostatic Discharge)

Static Electricity or power surge will damage the devices.

Suggestions to prevent ESD damage:

- Use of a conductive wrist band or anti-electrostatic glove when handling these devices.
- All devices, equipment, and machinery must be properly grounded.
- Work tables, storage racks, etc. should be properly grounded.
- Use ion blower to neutralize the static charge which might have built up on surface of the device's plastic lens as a result of friction between LEDs during storage and handling.