

## 阅读申明

- 1.本站收集的数据手册和产品资料都来自互联网，版权归原作者所有。如读者和版权方有任何异议请及时告之，我们将妥善解决。
- 2.本站提供的中文数据手册是英文数据手册的中文翻译，其目的是协助用户阅读，该译文无法自动跟随原稿更新，同时也可能存在翻译上的不当。建议读者以英文原稿为参考以便获得更精准的信息。
- 3.本站提供的产品资料，来自厂商的技术支持或者使用者的心得体会等，其内容可能存在描述上的差异，建议读者做出适当判断。
- 4.如需与我们联系，请发邮件到marketing@iczoom.com，主题请标有“数据手册”字样。

## Read Statement

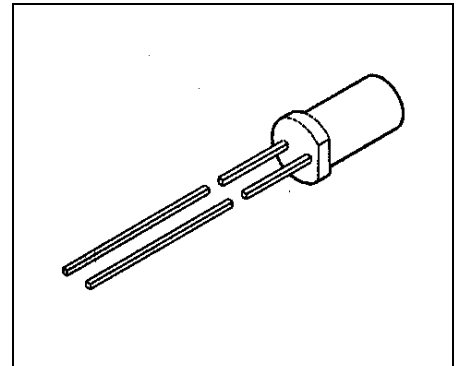
1. The datasheets and other product information on the site are all from network reference or other public materials, and the copyright belongs to the original author and original published source. If readers and copyright owners have any objections, please contact us and we will deal with it in a timely manner.
2. The Chinese datasheets provided on the website is a Chinese translation of the English datasheets. Its purpose is for reader's learning exchange only and do not involve commercial purposes. The translation cannot be automatically updated with the original manuscript, and there may also be improper translations. Readers are advised to use the English manuscript as a reference for more accurate information.
3. All product information provided on the website refer to solutions from manufacturers' technical support or users the contents may have differences in description, and readers are advised to take the original article as the standard.
4. If you have any questions, please contact us at marketing@iczoom.com and mark the subject with "Datasheets" .

**Plastic Fiber Optic Photodiode Detector  
Plastic Connector Housing**

**SFH250  
SFH250V**

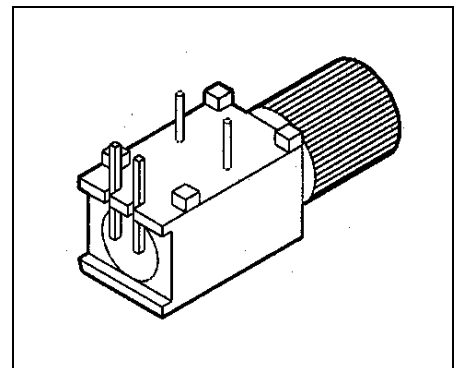
**Features**

- 2.2 mm Aperture holds Standard 1000 Micron Plastic Fiber
- No Fiber Stripping Required
- Fast Switching Time
- Good Linearity
- Sensitive in visible and near IR Range
- Molded Microlens for Efficient Coupling



**Plastic Connector Housing**

- Mounting Screw Attached to the Connector
- Interference Free Transmission from light-Tight Housing
- Transmitter and Receiver can be flexibly positioned
- No Cross Talk
- Auto insertable and Wave solderable
- Supplied in Tubes



**Applications**

- Household Electronics
- Power Electronics
- Optical Networks
- Light Barriers

Type	Ordering Code
SFH250	Q62702-P1012
SFH250V	Q62702-P0263

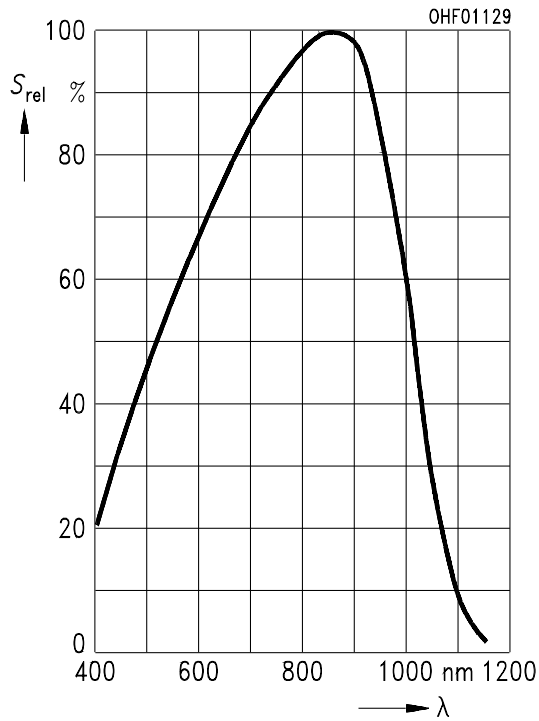
**Technical Data**
**Absolute Maximum Ratings**

Parameter	Symbol	Limit Values		Unit
		min.	max.	
Operating Temperature Range	$T_{OP}$	-40	+85	°C
Storage Temperature Range	$T_{STG}$	-40	+100	°C
Junction Temperature	$T_J$		100	°C
Soldering Temperature (2 mm from case bottom, $t \leq 5$ s)	$T_S$		260	°C
Reverse Voltage	$V_R$		30	V
Power Dissipation	$P_{TOT}$		100	mW
Thermal Resistance, Junction/Air	$R_{thJA}$		750	K/W

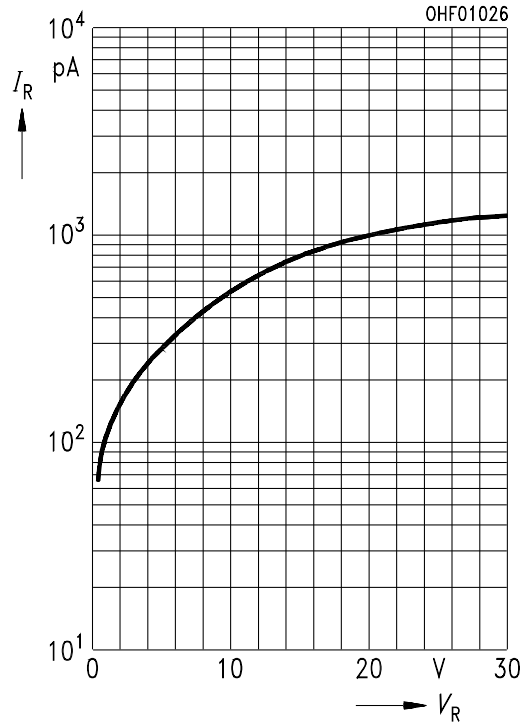
**Characteristics** ( $T_A = 25^\circ\text{C}$ )

Parameter	Symbol	Values			Unit
		min.	typ.	max.	
Maximum Photosensitivity Wavelength	$\lambda_{S_{\max}}$		850		nm
Photosensitivity Spectral Range ( $S = 10\% S_{\max}$ )	$\lambda$	400		1100	nm
Dark Current ( $V_R = 20\text{ V}$ )	$I_R$		1 ( $\leq 10$ )		nA
Capacitance ( $f = 1\text{ MHz}$ , $V_R = 0\text{ V}$ )	$C_O$		11		pF
Rise and Fall Times of Photo Current ( $R_L = 50\ \Omega$ , $V_R = 30\text{ V}$ , $\lambda = 880\text{ nm}$ ) 10% to 90% 90% to 10%	$t_R$ $t_F$		0.01 0.01		$\mu\text{s}$
Photo Current ( $\Phi_{IN} = 10\ \mu\text{W}$ coupled from the end of a plastic fiber, $V_R = 5\text{ V}$ ) $\lambda = 660\text{ nm}$ $\lambda = 950\text{ nm}$	$I_P$		3 ( $\geq 1.6$ ) 4 ( $\geq 2.5$ )		$\mu\text{A}$
Temperature Coefficient $I_P$ $\lambda = 560\text{ to }660\text{ nm}$	$TC_1$		-0.04		%/K
Temperature Coefficient $I_P$ $\lambda = 830\text{ nm}$			0.04		
Temperature Coefficient $I_P$ $\lambda = 950\text{ nm}$			0.2		

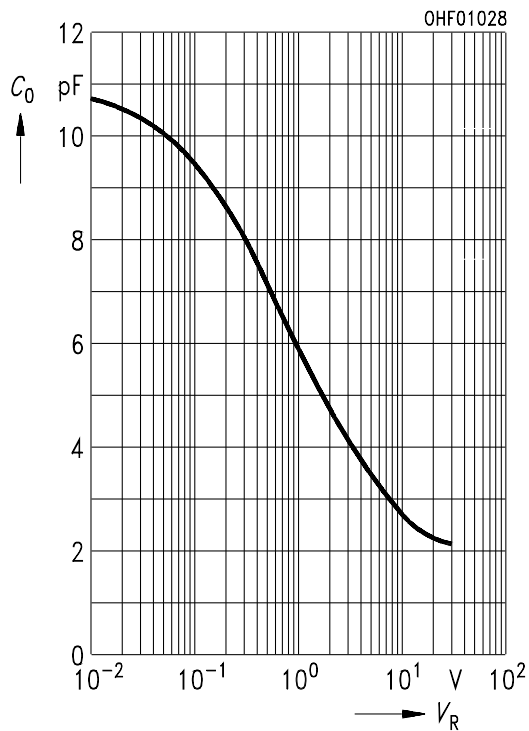
**Relative Spectral Sensitivity  $S_{rel} = f(\lambda)$**



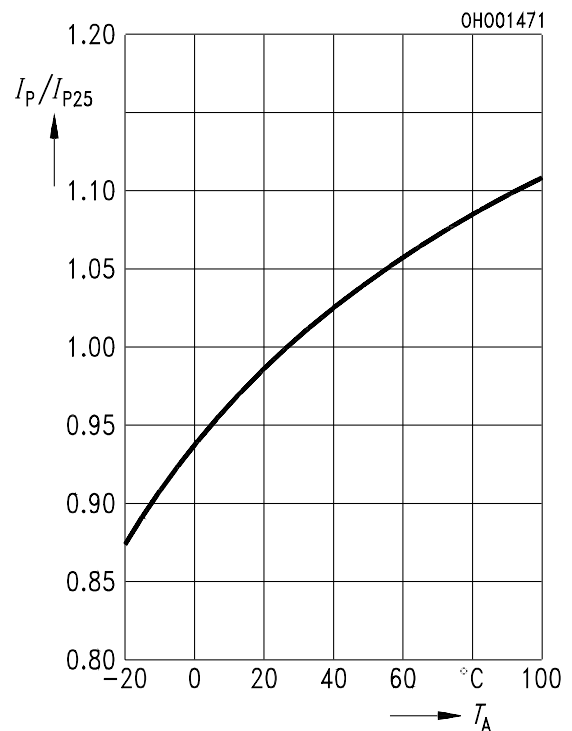
**Dark Current  $I_R = f(V_R), T_A = 25^\circ\text{C}$**



**Capacitance  $C_0 = f(V_R), f = 1 \text{ MHz}, E_V = 0$**



**Photocurrent  $I_P/I_{P25} = f(T_A), \lambda = 950 \text{ nm}$**



Package Outlines

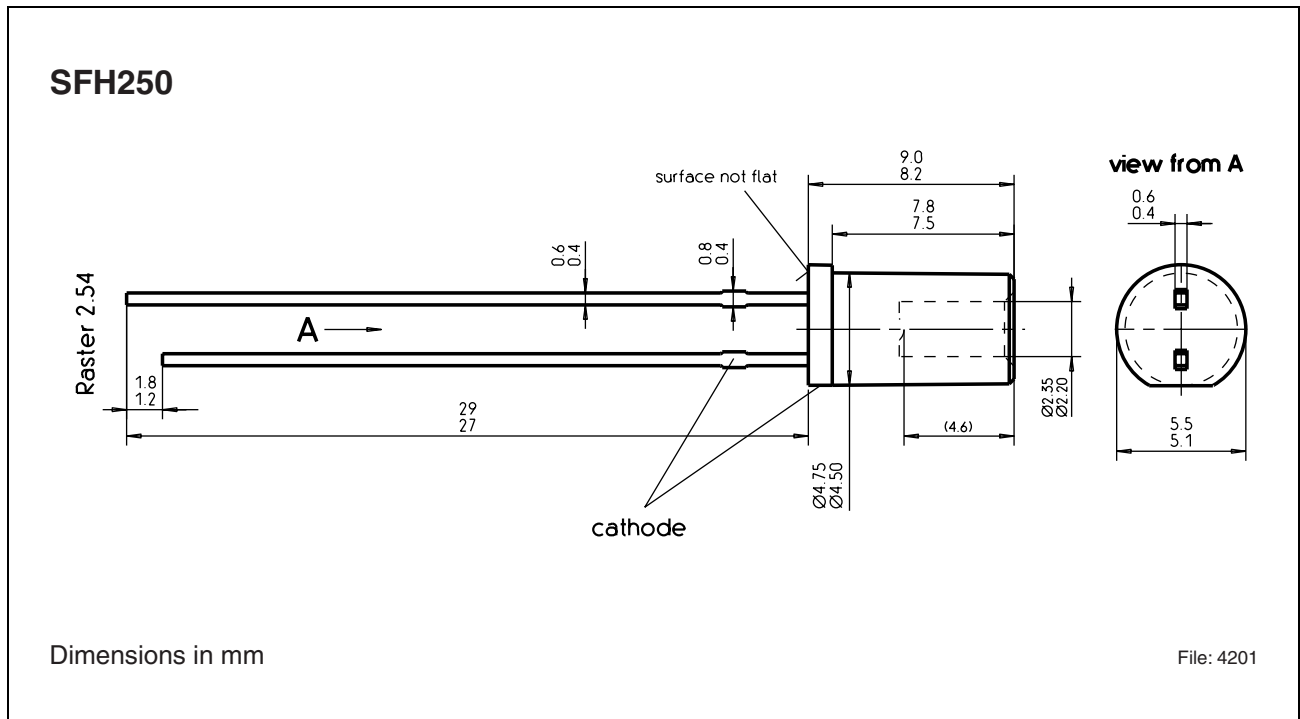


Figure 1

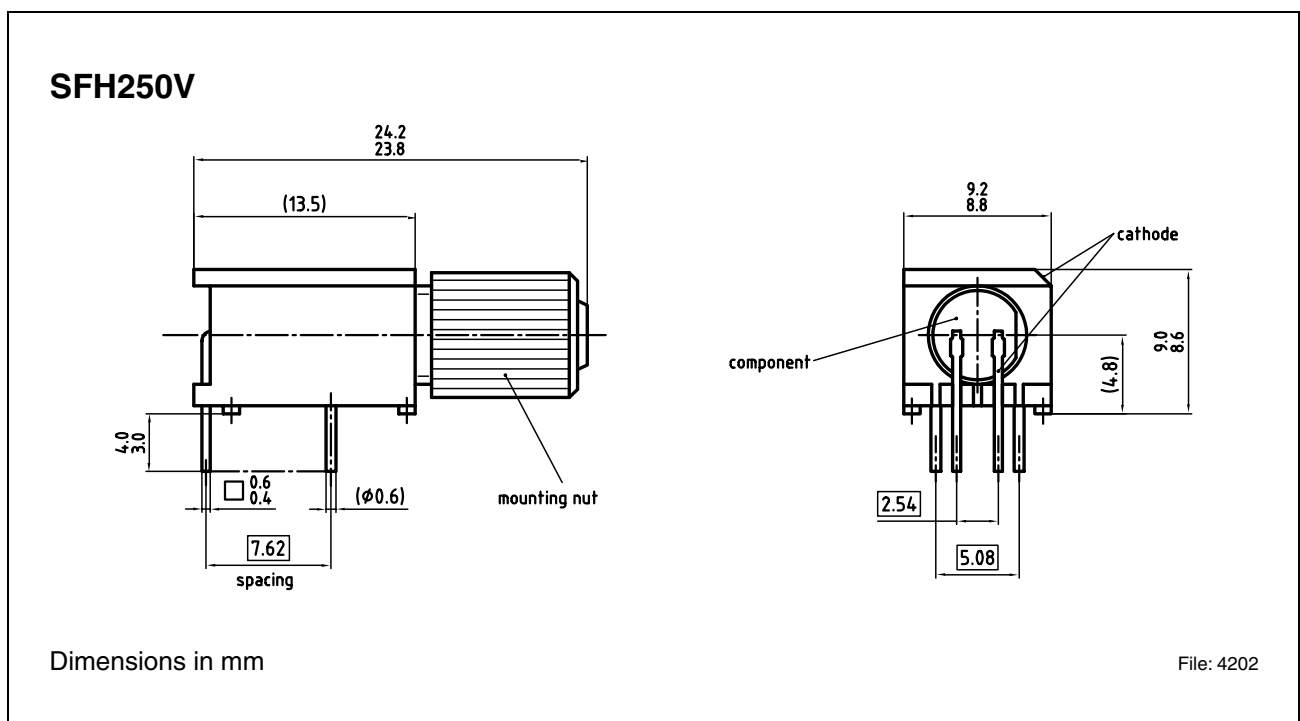


Figure 2

---

**SFH250**  
**SFH250V**

**Revision History:**           **2004-03-19**

DS1

---

Previous Version:           2002-03-14

---

**Edition 2004-03-19**

**Published by Infineon Technologies AG,  
St.-Martin-Strasse 53,  
81669 München, Germany**

**© Infineon Technologies AG 2004.  
All Rights Reserved.**

**Attention please!**

The information herein is given to describe certain components and shall not be considered as a guarantee of characteristics.

Terms of delivery and rights to technical change reserved.

We hereby disclaim any and all warranties, including but not limited to warranties of non-infringement, regarding circuits, descriptions and charts stated herein.

**Information**

For further information on technology, delivery terms and conditions and prices please contact your nearest Infineon Technologies Office ([www.infineon.com](http://www.infineon.com)).

**Warnings**

Due to technical requirements components may contain dangerous substances. For information on the types in question please contact your nearest Infineon Technologies Office.

Infineon Technologies Components may only be used in life-support devices or systems with the express written approval of Infineon Technologies, if a failure of such components can reasonably be expected to cause the failure of that life-support device or system, or to affect the safety or effectiveness of that device or system. Life support devices or systems are intended to be implanted in the human body, or to support and/or maintain and sustain and/or protect human life. If they fail, it is reasonable to assume that the health of the user or other persons may be endangered.