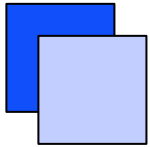


阅读申明

- 1.本站收集的数据手册和产品资料都来自互联网，版权归原作者所有。如读者和版权方有任何异议请及时告之，我们将妥善解决。
- 2.本站提供的中文数据手册是英文数据手册的中文翻译，其目的是协助用户阅读，该译文无法自动跟随原稿更新，同时也可能存在翻译上的不当。建议读者以英文原稿为参考以便获得更精准的信息。
- 3.本站提供的产品资料，来自厂商的技术支持或者使用者的心得体会等，其内容可能存在描述上的差异，建议读者做出适当判断。
- 4.如需与我们联系，请发邮件到marketing@iczoom.com，主题请标有“数据手册”字样。

Read Statement

1. The datasheets and other product information on the site are all from network reference or other public materials, and the copyright belongs to the original author and original published source. If readers and copyright owners have any objections, please contact us and we will deal with it in a timely manner.
2. The Chinese datasheets provided on the website is a Chinese translation of the English datasheets. Its purpose is for reader's learning exchange only and do not involve commercial purposes. The translation cannot be automatically updated with the original manuscript, and there may also be improper translations. Readers are advised to use the English manuscript as a reference for more accurate information.
3. All product information provided on the website refer to solutions from manufacturers' technical support or users the contents may have differences in description, and readers are advised to take the original article as the standard.
4. If you have any questions, please contact us at marketing@iczoom.com and mark the subject with "Datasheets" .



DC-AC INVERTER UNIT

CXA-0271 (5W DUAL OUTPUTS WITH DIMMING FUNCTION)

DESCRIPTION :

This low profile DC to AC Inverter is developed for dual lamps, low power LCD back-light. Application includes industrial PC and LCD monitor.

Applicable LCD; 8 to 12 inches double lamp type
 Lamp Voltage 460Vrms
 Lamp Current 6mArms
 Lamp Start Up Voltage 1500Vrms (Vin : 12V)



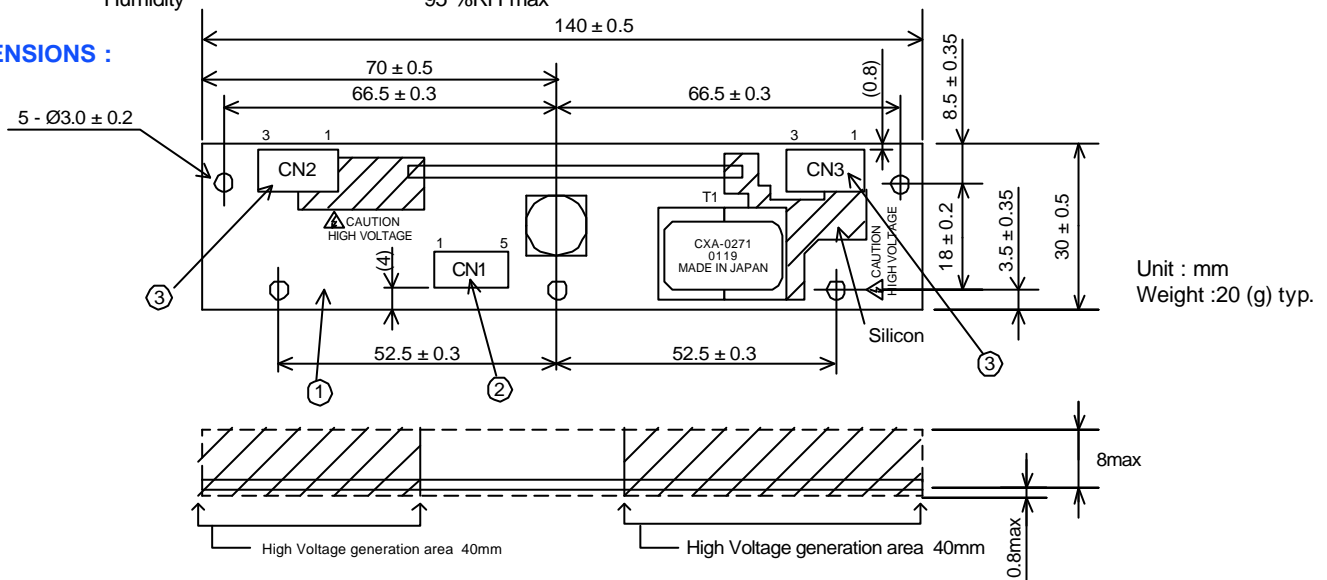
FEATURES :

- Alarm signal function
- PWM dimming type.
- Silicon Coating in High Voltage area

TEMPERATURE & HUMIDITY :

Operating Temperature Range 0°C ~ +60 °C
 Storage Temperature Range -30°C ~ +85°C
 Humidity 95 %RH max

DIMENSIONS :



Unit : mm
 Weight :20 (g) typ.

No.	Part Description	Qty.	Note
1	PWB	1	UL94V-0 t=1.0mm
2	Connector CN1	1	S5B-PH-SM3-TB (JST)
3	Connector CN2,CN3	2	SM02(8.0)B-BHS-1 (JST)

CN1 : S5B-PH-SM3-TB (JST)

Pin	Symbol	Note
CN1-1	Vin	10.8 ~ 13.2V
CN1-2	GND	0 V
CN1-3	Vbr	0 ~ 2.5V
CN1-4	Vst ^{*1}	0V / 5V
CN1-5	Vrmt	0V ~ 0.4V : OFF 2V ~ Vin : ON

CN2 : SM02(8.0)B-BHS-1 (JST)

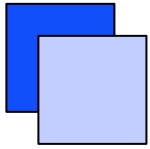
Pin	Symbol	Note
CN2-1	Vhigh1	460Vrms (6mArms)
CN2-2	N.C.	-
CN2-3	Vlow1	(2V)

CN3 : SM02(8.0)B-BHS-1 (JST)

Pin	Symbol	Note
CN3-1	Vhigh1	460Vrms (6mArms)
CN3-2	N.C.	-
CN3-3	Vlow1	(2V)

***1. This is an output pin and it is active high (+5V) if any Lamp opens / fails.**

General Information Tel : +81-3-5201-7206 (Japan)
 Tel : +1-847-390-4439 (USA)
 Tel : +44-118-921-6206 (EU)



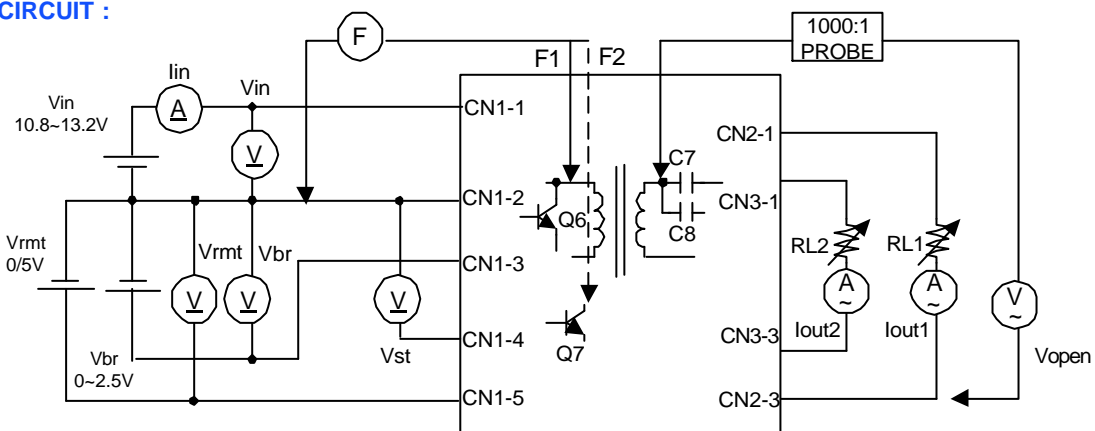
CXA-0271 (5W DUAL OUTPUTS WITH DIMMING FUNCTION)

ELECTRICAL CHARACTERISTICS :

Parameters	Symbol	Conditions					Specifications			Unit	Note
		Vin (V)	Vrmt (V)	Vbr (V)	Ta (°C)	RL1 (kΩ) RL2 (kΩ)	min.	typ.	max.		
Output Current	Iout1 / Iout2	12 ± 1.2	5 ± 0.25	0	0 ~ +60	74	5.0	6.0	7.0	mArms	Max Brightness.
		12 ± 0.1	5 ± 0.25	0	23 ± 5	74	5.7	6.0	6.7	mArms	
		12 ± 0.1	5 ± 0.25	2.5	23 ± 5	74	1.2	2.0	2.8	mArms	Min Brightness.
		12 ± 0.1	5 ± 0.25	2.5	23 ± 5	74	1.2	2.0	2.8	mArms	
Input Current 1	Iin1	12 ± 1.2	5 ± 0.25	0 ~ 1.5	23 ± 5	74	-	0.55	0.7	Adc	
Input Current 2	Iin2	12 ± 1.2	0 ± 0.25	0 ~ 1.5	23 ± 5	74	-	-	1	mAdc	
Frequency	F1	12 ± 1.2	5 ± 0.25	0	23 ± 5	74	38	43	48	kHz	
Frequency (Duty)	F2	12 ± 1.2	5 ± 0.25	1.0	23 ± 5	74	254	305	356	Hz	
Open Voltage	Vopen	12 ± 1.2	5 ± 0.25	0	23 ± 5	∞	1250	1500	-	Vrms	
Alarm Signal	Vst	12 ± 0.1	5 ± 0.25	0 ~ 2.5	23 ± 5	74	4.5	5.0	5.5	Vdc	RL2 open
		12 ± 0.1	5 ± 0.25	0 ~ 2.5	23 ± 5	∞	4.5	5.0	5.5	Vdc	RL1 open
		12 ± 0.1	5 ± 0.25	0 ~ 2.5	23 ± 5	∞	4.5	5.0	5.5	Vdc	RL1 & RL2 open
		12 ± 0.1	5 ± 0.25	0 ~ 2.5	23 ± 5	∞	4.5	5.0	5.5	Vdc	RL1 & RL2 open
		12 ± 0.1	5 ± 0.25	0 ~ 2.5	23 ± 5	74	-	0	0.5	Vdc	Normal

Note 1 : Please keep minimum of 2mm clearance (all directions) between inverter high voltage area as marked on mechanical drawing and any conductors.

TEST CIRCUIT :



General Information Tel : +81-3-5201-7206 (Japan)
 Tel : +1-847-390-4439 (USA)
 Tel : +44-118-921-6206 (EU)

All specification are subject to change without notice.