

## 阅读申明

- 1.本站收集的数据手册和产品资料都来自互联网，版权归原作者所有。如读者和版权方有任何异议请及时告之，我们将妥善解决。
- 2.本站提供的中文数据手册是英文数据手册的中文翻译，其目的是协助用户阅读，该译文无法自动跟随原稿更新，同时也可能存在翻译上的不当。建议读者以英文原稿为参考以便获得更精准的信息。
- 3.本站提供的产品资料，来自厂商的技术支持或者使用者的心得体会等，其内容可能存在描述上的差异，建议读者做出适当判断。
- 4.如需与我们联系，请发邮件到marketing@iczoom.com，主题请标有“数据手册”字样。

## Read Statement

1. The datasheets and other product information on the site are all from network reference or other public materials, and the copyright belongs to the original author and original published source. If readers and copyright owners have any objections, please contact us and we will deal with it in a timely manner.
2. The Chinese datasheets provided on the website is a Chinese translation of the English datasheets. Its purpose is for reader's learning exchange only and do not involve commercial purposes. The translation cannot be automatically updated with the original manuscript, and there may also be improper translations. Readers are advised to use the English manuscript as a reference for more accurate information.
3. All product information provided on the website refer to solutions from manufacturers' technical support or users the contents may have differences in description, and readers are advised to take the original article as the standard.
4. If you have any questions, please contact us at marketing@iczoom.com and mark the subject with "Datasheets" .

# PSD-S OE LED RL ...

LED rotating light element, 24 V AC/DC



Data sheet  
7952\_en\_02

© PHOENIX CONTACT 2012-01-12

## 1 Description

This optical signal element is part of a modular signal tower. According to your requirements, a signal tower may comprise any combination of up to five signal elements. You may use up to five optical signal elements or up to four optical and one audible signal element.

An audible signal element can be used as top element only.

A bayonet locking system establishes the mechanical and electrical connection between the elements.

Connection elements with spring-cage or screw connection can be used for electrical connection of the signal tower.

Mounting elements for base or tube mounting can be used to mount the signal tower.

### Features

- LED rotating light element for 24 V AC/DC
- Colors: red and yellow
- Degree of protection: IP65, when installed or with cover



Make sure you always use the latest documentation.  
It can be downloaded from the product at [www.phoenixcontact.net/catalog](http://www.phoenixcontact.net/catalog).

---

**2 Table of contents**

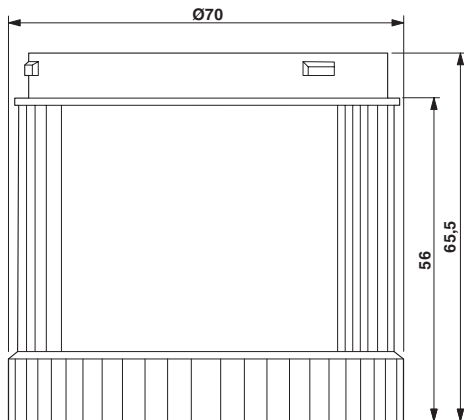
1	Description .....	1
2	Table of contents .....	2
3	Ordering data .....	3
4	Technical data .....	3
5	Example of a signal tower .....	4
6	Assembly notes for a signal tower .....	4
7	Assembling the individual elements.....	5
8	Example for signal tower dimensions .....	5

### 3 Ordering data

Description	Type	Order No.	Pcs. / Pkt.
LED rotating light element, 24 V AC/DC, red	PSD-S OE LED RL RD	2700116	1
LED rotating light element, 24 V AC/DC, yellow	PSD-S OE LED RL YE	2700125	1

### 4 Technical data

#### Dimensions (in mm)



Diameter	70 mm
Height	65.5 mm

#### General data

Material	Polycarbonate PC
Calotte color : PSD-S OE LED RL RD	red
Calotte color : PSD-S OE LED RL YE	yellow
Weight	65 g
Ambient temperature (operation)	-20 °C ... 50 °C
Degree of protection	IP65, when installed or with cover
Mounting position	Any
Connection	Rubber seal pre-installed for each element

#### Electrical data

Input voltage	24 V AC/DC
Inrush current	max. 500 mA
Current consumption	≤ 40 mA
Optical signal type	LED rotating light
Source of light type	LED
Signal frequency	Approx. 2 Hz
Service life, electrical	max. 100,000 h
Operating time	100 %

**Approvals / conformities**

Conformance with EMC Directive 2004/108/EC

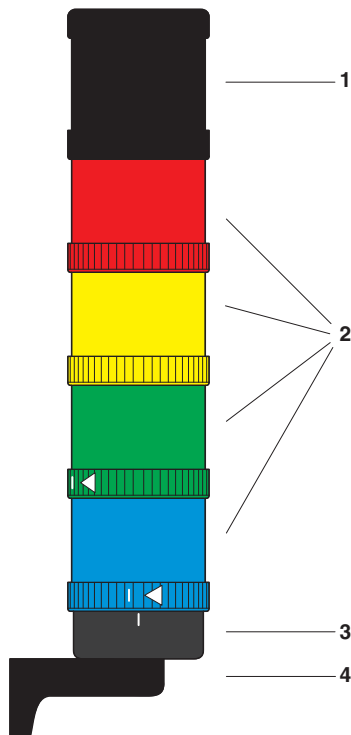
For the latest approvals, please visit [www.phoenixcontact.net/catalog](http://www.phoenixcontact.net/catalog).**5 Example of a signal tower**

Figure 1 Example of a signal tower

Key:

- 1 Audible signal element
- 2 Optical signal element
- 3 Connection element
- 4 Assembly element

**6 Assembly notes for a signal tower**

- Only use a maximum of five elements within a signal tower.
- Use only one audible element in a signal tower and position this element on top.
- When closing the bayonet locking system, observe the markings (see "Assembling the individual elements").

## 7 Assembling the individual elements 8 Example for signal tower dimensions

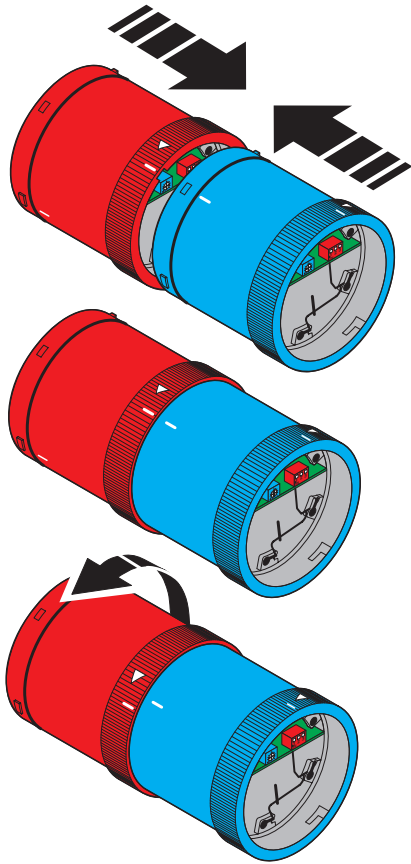


Figure 2 Assembling the individual elements

- Select the elements for your application.
- Connect the elements to be assembled so that the markings are aligned.
- Turn the upper element in the direction of the arrow.

The following figure shows the dimensions of a typical signal tower.

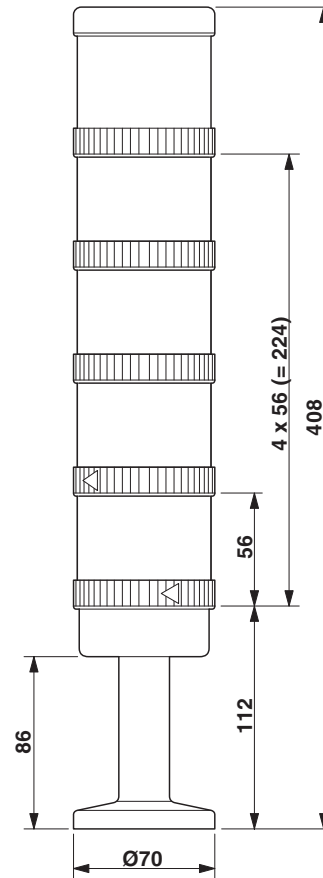


Figure 3 Dimensions of a signal tower (example)