

阅读申明

- 1.本站收集的数据手册和产品资料都来自互联网，版权归原作者所有。如读者和版权方有任何异议请及时告之，我们将妥善解决。
- 2.本站提供的中文数据手册是英文数据手册的中文翻译，其目的是协助用户阅读，该译文无法自动跟随原稿更新，同时也可能存在翻译上的不当。建议读者以英文原稿为参考以便获得更精准的信息。
- 3.本站提供的产品资料，来自厂商的技术支持或者使用者的心得体会等，其内容可能存在描述上的差异，建议读者做出适当判断。
- 4.如需与我们联系，请发邮件到marketing@iczoom.com，主题请标有“数据手册”字样。

Read Statement

1. The datasheets and other product information on the site are all from network reference or other public materials, and the copyright belongs to the original author and original published source. If readers and copyright owners have any objections, please contact us and we will deal with it in a timely manner.
2. The Chinese datasheets provided on the website is a Chinese translation of the English datasheets. Its purpose is for reader's learning exchange only and do not involve commercial purposes. The translation cannot be automatically updated with the original manuscript, and there may also be improper translations. Readers are advised to use the English manuscript as a reference for more accurate information.
3. All product information provided on the website refer to solutions from manufacturers' technical support or users the contents may have differences in description, and readers are advised to take the original article as the standard.
4. If you have any questions, please contact us at marketing@iczoom.com and mark the subject with "Datasheets" .

9 mm Square Rotary Potentiometers with Insulated Shaft

Japan
Malaysia

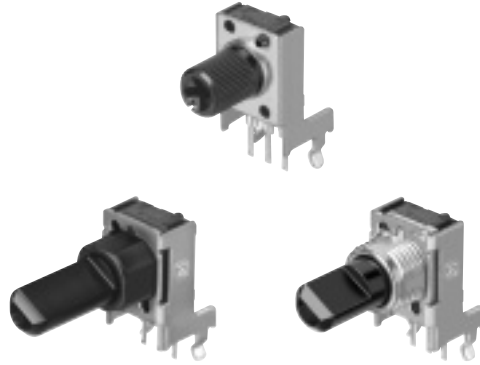
Type: **EVUE/EVUF**

■ Features

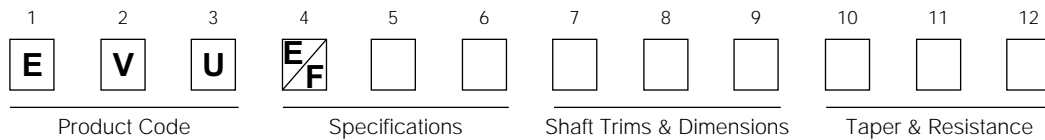
- Multi-gang block can be provided upon request
- DC voltage available
- Rigid rectangular shape suited for automatic insertion

■ Recommended Applications

- Audio Equipment
- Video Equipment
- Electronic Musical Instruments
- Audio Mixers



■ Explanation of Part Numbers

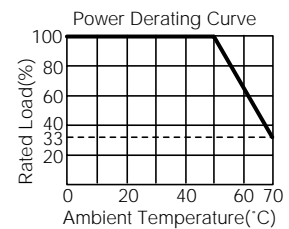


■ Product Chart

Construction	Style	Height (H=mm)	Detent	Type	
Horizontal	Without bushing	6.5	Without detent	EVUE20	
			Midpoint	EVUE30	
		10.0	Without detent	EVUE2A	
			Midpoint	EVUE3A	
		12.5	Without detent	EVUE21	
			Midpoint	EVUE31	
	With bushing	6.5	Without detent	EVUE25	
			Midpoint	EVUE35	
		10.0	Without detent	EVUE2J	
			Midpoint	EVUE3J	
		With sleeve	6.5	Without detent	EVUE27
				Midpoint	EVUE37
10.0	Without detent		EVUE2K		
	Midpoint		EVUE3K		
Vertical	Without bushing	—	Without detent	EVUF2A	
			Midpoint	EVUF3A	
	With bushing	7.5	Without detent	EVUF2J	
			Midpoint	EVUF3J	
		8.5	Without detent	EVUF2M	
			Midpoint	EVUF3M	
	With sleeve	7.5	Without detent	EVUF2K	
			Midpoint	EVUF3K	
		8.5	Without detent	EVUF2L	
			Midpoint	EVUF3L	

■ Specifications

Classification	Item	Type without bushing	Type with bushing	Type with sleeve		
Mechanical Specifications	Rotation Angle	300 °				
	Rotation Torque	1 mN·m to 8 mN·m (after rotation started)	1 mN·m to 20 mN·m (after rotation started)	1 mN·m to 20 mN·m (after rotation started)		
	Shaft Stopper Strength	300 mN·m				
	Shaft wobble	<ul style="list-style-type: none"> ● Shaft bend and shaft wobble shall be $0.8 \times \frac{L}{20}$ (mm) max. (for one side) (When moment of 25 mN·m is applied.) ● L=Distance between mounting surface and measuring point 	<ul style="list-style-type: none"> ● Shaft bend and shaft wobble shall be $0.5 \times \frac{L}{30}$ (mm) max. (for one side) (When moment of 50 mN·m is applied.) ● L=Distance between mounting surface and measuring point 	<ul style="list-style-type: none"> ● Shaft bend and shaft wobble shall be $0.7 \times \frac{L}{30}$ (mm) max. (for one side) (When moment of 50 mN·m is applied.) ● L=Distance between mounting surface and measuring point 		
	Shaft Pull/Push Strength	Push strength : 100 N min. Pull strength : 100 N min.	Push strength : 100 N min. Pull strength : 100 N min.	Push strength : 100 N min. Pull strength : 100 N min.		
	Nut Tightening Torque	—	1 N·m max.	—		
Electrical Specifications	Nominal Total Resistance	1 kΩ to 1 MΩ, 300 kΩ to 2 MΩ for taper B (Tolerance ± 20 %)				
	Taper	A, B, C, D, G				
	Power Rating	0.05 W (0 °C to 50 °C) For potentiometers operating in ambient temperatures above 50 °C, Rating should be derated in accordance with the figure on the right.				
	Residual Resistance	Standard	R < 50 kΩ		50 Ω max.	
			50 kΩ < R < 1 MΩ		100 Ω max.	
			1 MΩ < R < 2 MΩ		200 Ω max.	
		Semi-standard	A, B, D, G	B, C, G	A, D	C
			T1 & T2	T2 & T3	T2 & T3	T1 & T2
			R < 2 kΩ	2 Ω max.	20 Ω max.	
	2 kΩ < R < 50 kΩ		2 Ω max.	25 Ω max.		
50 kΩ < R < 250 kΩ	25 Ω max.	50 Ω max.				
R > 250 kΩ	100 Ω max.	100 Ω max.				
Insulation Resistance	50 MΩ min. at 250 Vdc					
Dielectric Withstand Voltage	250 Vac for 1 minute					
Noise Level	100 mV max. Apply 20 V (When Voltage Rating < 20 V, use the rated voltage.) Rotate shaft at 30 r/min.					
Endurance	Operating Life	10000 cycles min.				
Minimum Quantity/Packing Unit		EVUE/EVUF : 200 pcs. Polyethylene Bag (Bulk)				
Quantity/Carton		EVUE/EVUF : 2000 pcs.				

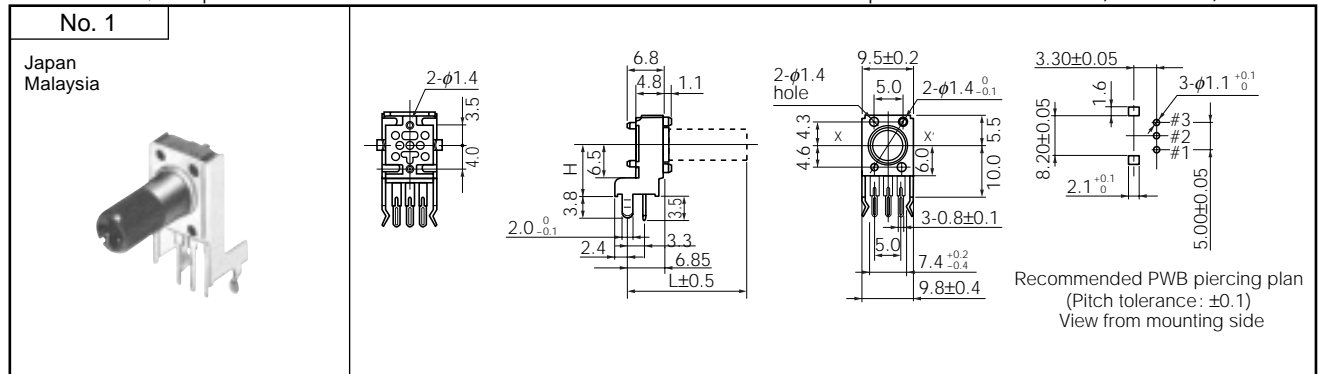


■ Dimensions in mm (not to scale)

● Single Type without Bushing

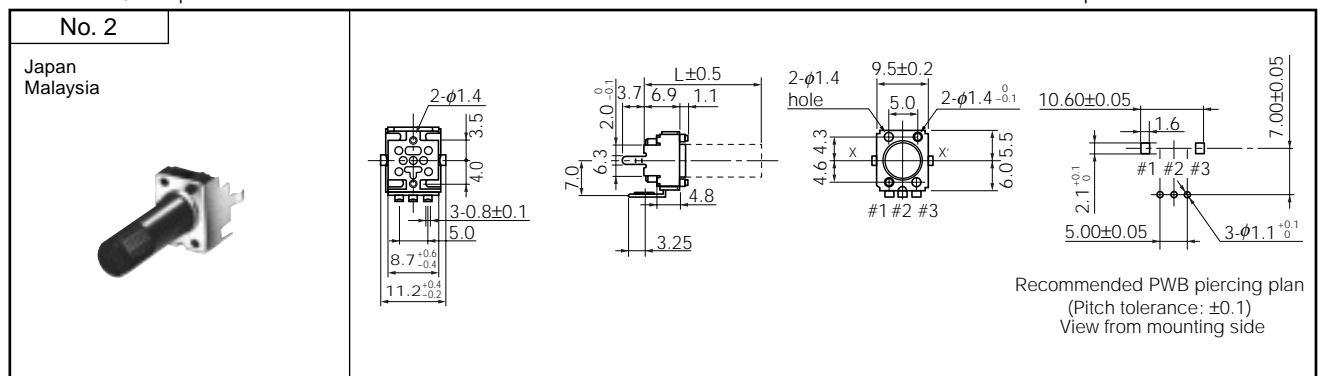
Horizontal, Snap-in without midpoint detent: EVUE20, EVUE2A, EVUE21

..... with midpoint detent: EVUE30, EVUE3A, EVUE31



Vertical, Snap-in without midpoint detent: EVUF2A

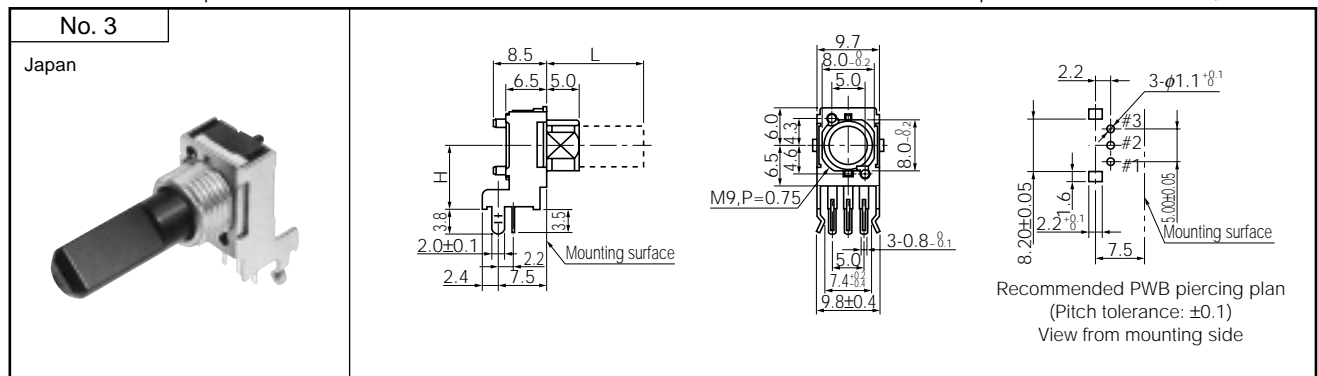
..... with midpoint detent: EVUF3A



● Single Type with Bushing

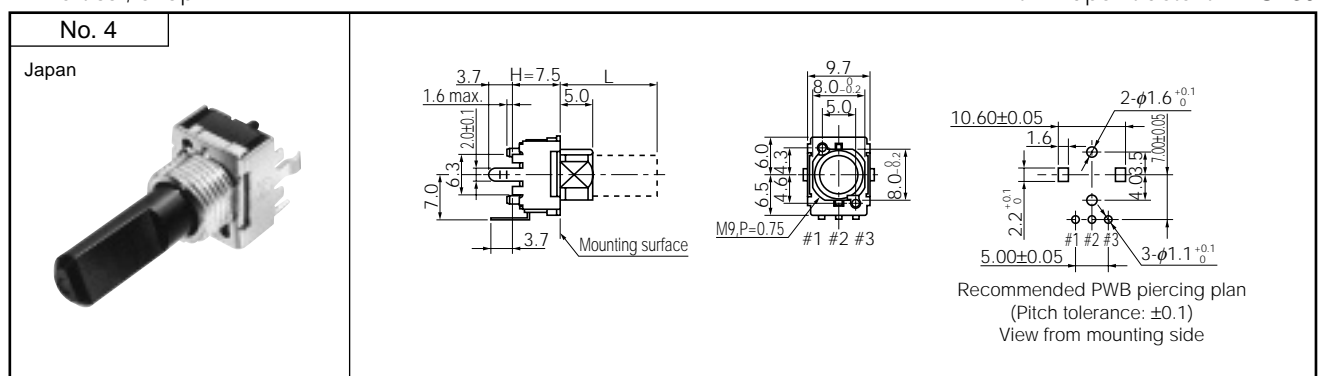
Horizontal, Snap-in without midpoint detent: EVUE25, EVUE2J

..... with midpoint detent: EVUE35, EVUE3J



Vertical, Snap-in without midpoint detent: EVUF2J

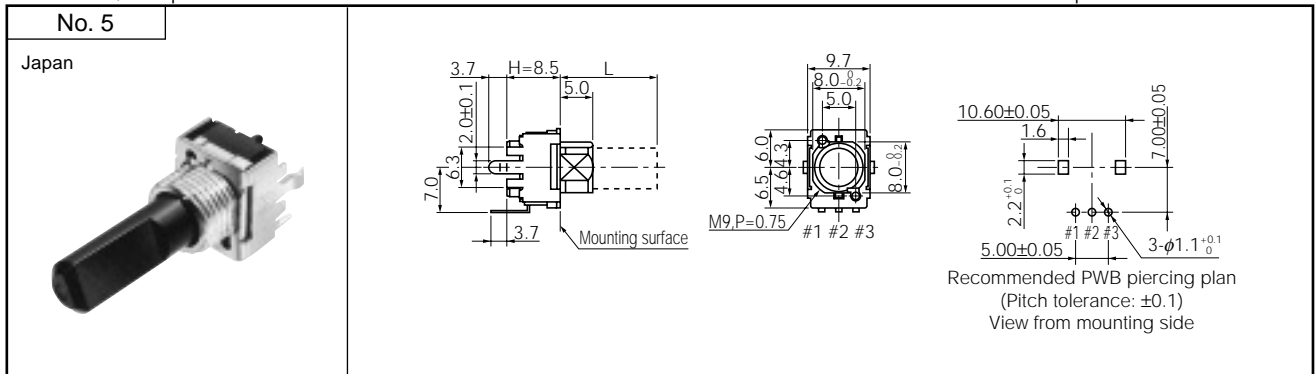
..... with midpoint detent: EVUF3J



Vertical, Snap-in

without midpoint detent: EVUF2M

with midpoint detent: EVUF3M

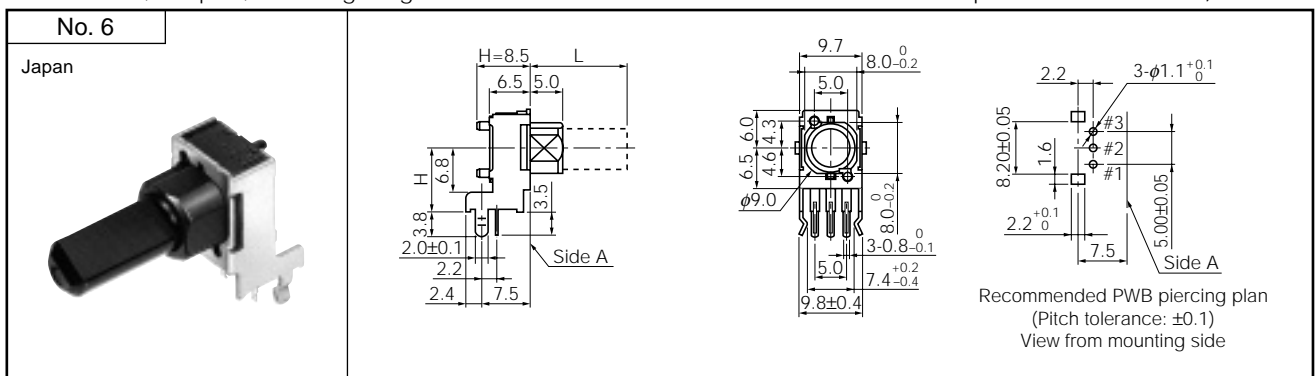


● Single Type with Sleeve

Horizontal, Snap-in, Mounting Height H=10.0 mm

without midpoint detent: EVUE27, EVUE2K

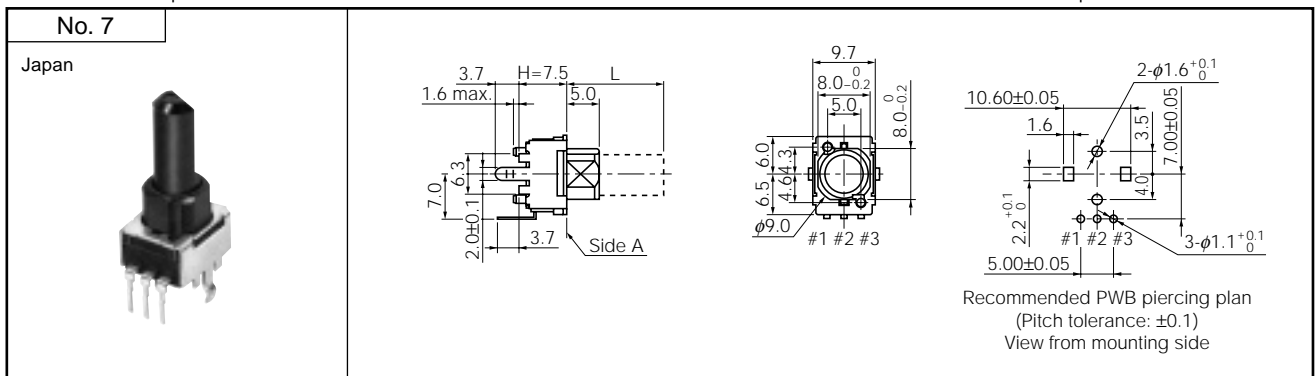
with midpoint detent: EVUE37, EVUE3K



Vertical, Snap-in

without midpoint detent: EVUF2K

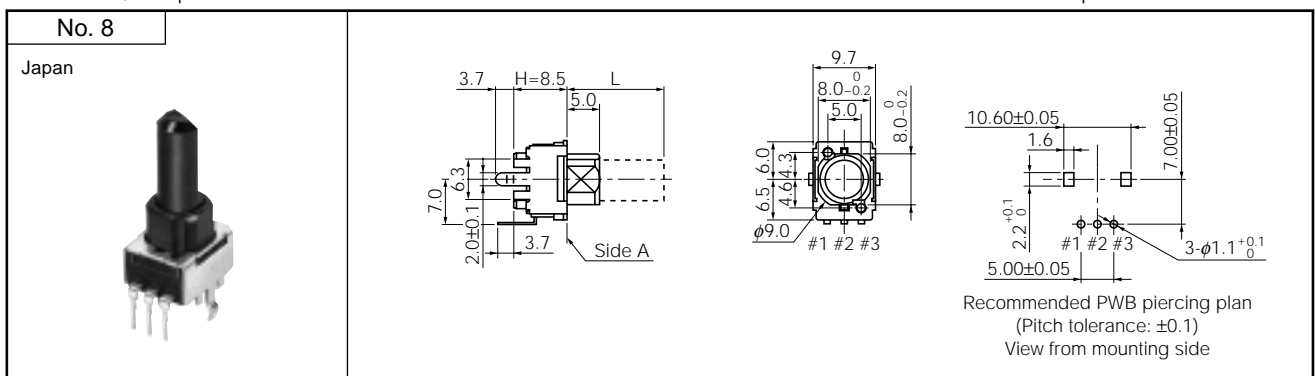
with midpoint detent: EVUF3K



Vertical, Snap-in

without midpoint detent: EVUF2L

with midpoint detent: EVUF3L



● Shaft Trims and Dimensions in mm for Type without Bushing (Drawings are at full CCW position.)

Type F (Flat)

Product No. 7-8-9 th	F15	F20	F25	F30	
L	15.0	20.0	25.0	30.0	
l	6.0	7.0	12.0	12.0	

Type E (40 teeth serrations)

Product No. 7-8-9 th	E15	E17	E20	E25	E30	E35	
L	15.0	(17.0)	20.0	25.0	30.0	35.0	
l	6.0	7.0	7.0	7.0	7.0	7.0	

Type M (24 teeth serrations)

Product No. 7-8-9 th	M20	M25	M30	M35	
L	20.0	25.0	30.0	35.0	
l	7.0	7.0	7.0	7.0	

Type S (with screw slot)

Product No. 7-8-9 th	S01	
L	9.5	
l	-	

Type H (40 teeth serrations, with screw slot)

Product No. 7-8-9 th	H15	H20	H25	
L	15.0	20.0	25.0	
l	6.0	7.0	7.0	

● Shaft Trims and Dimensions in mm for Types with Bushing or Sleeve (Drawings are at full CCW position.)

Type F (Flat)

Product No. 7-8-9 th	FK1	FK3	FK4	FK5	FL3	FK6	
L	12.5	15.0	17.5	20.0	21.5	22.5	
l	7.0	7.0	12.0	12.0	12.0	12.0	

Note: When you have special requirements other than the above, consult our salesmen.

Design and specifications are each subject to change without notice. Ask factory for the current technical specifications before purchase and/or use. Should a safety concern arise regarding this product, please be sure to contact us immediately.