

阅读申明

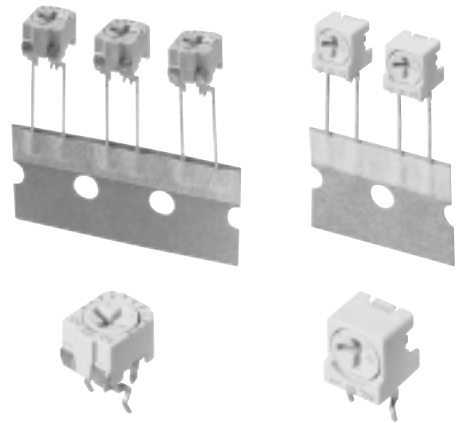
- 1.本站收集的数据手册和产品资料都来自互联网，版权归原作者所有。如读者和版权方有任何异议请及时告之，我们将妥善解决。
- 2.本站提供的中文数据手册是英文数据手册的中文翻译，其目的是协助用户阅读，该译文无法自动跟随原稿更新，同时也可能存在翻译上的不当。建议读者以英文原稿为参考以便获得更精准的信息。
- 3.本站提供的产品资料，来自厂商的技术支持或者使用者的心得体会等，其内容可能存在描述上的差异，建议读者做出适当判断。
- 4.如需与我们联系，请发邮件到marketing@iczoom.com，主题请标有“数据手册”字样。

Read Statement

1. The datasheets and other product information on the site are all from network reference or other public materials, and the copyright belongs to the original author and original published source. If readers and copyright owners have any objections, please contact us and we will deal with it in a timely manner.
2. The Chinese datasheets provided on the website is a Chinese translation of the English datasheets. Its purpose is for reader's learning exchange only and do not involve commercial purposes. The translation cannot be automatically updated with the original manuscript, and there may also be improper translations. Readers are advised to use the English manuscript as a reference for more accurate information.
3. All product information provided on the website refer to solutions from manufacturers' technical support or users the contents may have differences in description, and readers are advised to take the original article as the standard.
4. If you have any questions, please contact us at marketing@iczoom.com and mark the subject with "Datasheets" .

6 mm Square Dustproof Ceramic Trimmer Potentiometers
(Cermet, Radial Taping, with Knob Protection)

Type: **EVMEYS/EVMEVS**
(High-Reliability Type, Radial Taping)
EVMEYG/EVMEVG
(High-Reliability Type, Bulk)



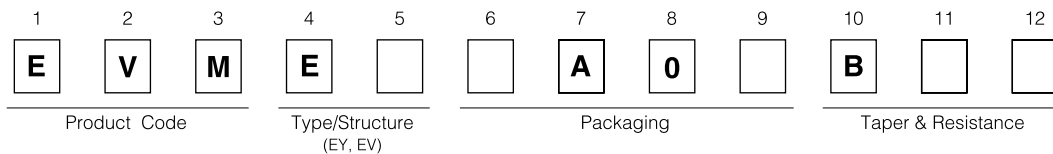
■ Features

- No readjustment needed through Rotor protected Structure for careless slip
- Excellent mounting efficiency due to cubic shape suited to automatic pick-and-place assembly equipment
- Power Rating: 0.5 W max.
- Temperature Coefficient of Resistance: within $\pm 100 \times 10^{-6}/^{\circ}\text{C}$
- Conforming to JIS C5261

■ Recommended Applications

- Audio visual equipment, Office Automation equipment, Communication equipment
- Other general electronic equipments

■ Explanation of Part Numbers



*For the details of Part Number, refer to page EV21.

■ Major Specifications

Total Resistance Value	1 k Ω to 2 M Ω
Resistance Tolerance	$\pm 20\%$
Power Rating	70 $^{\circ}\text{C}$... 0.5 W (125 $^{\circ}\text{C}$... 0 %)
Maximum Operating Voltage	200 V
Rotation Torque	2 to 30 mN · m
Stopper Strength	50 mN · m nim.
Temperature Coefficient of Resistance	$\pm 100 \times 10^{-6}/^{\circ}\text{C}$

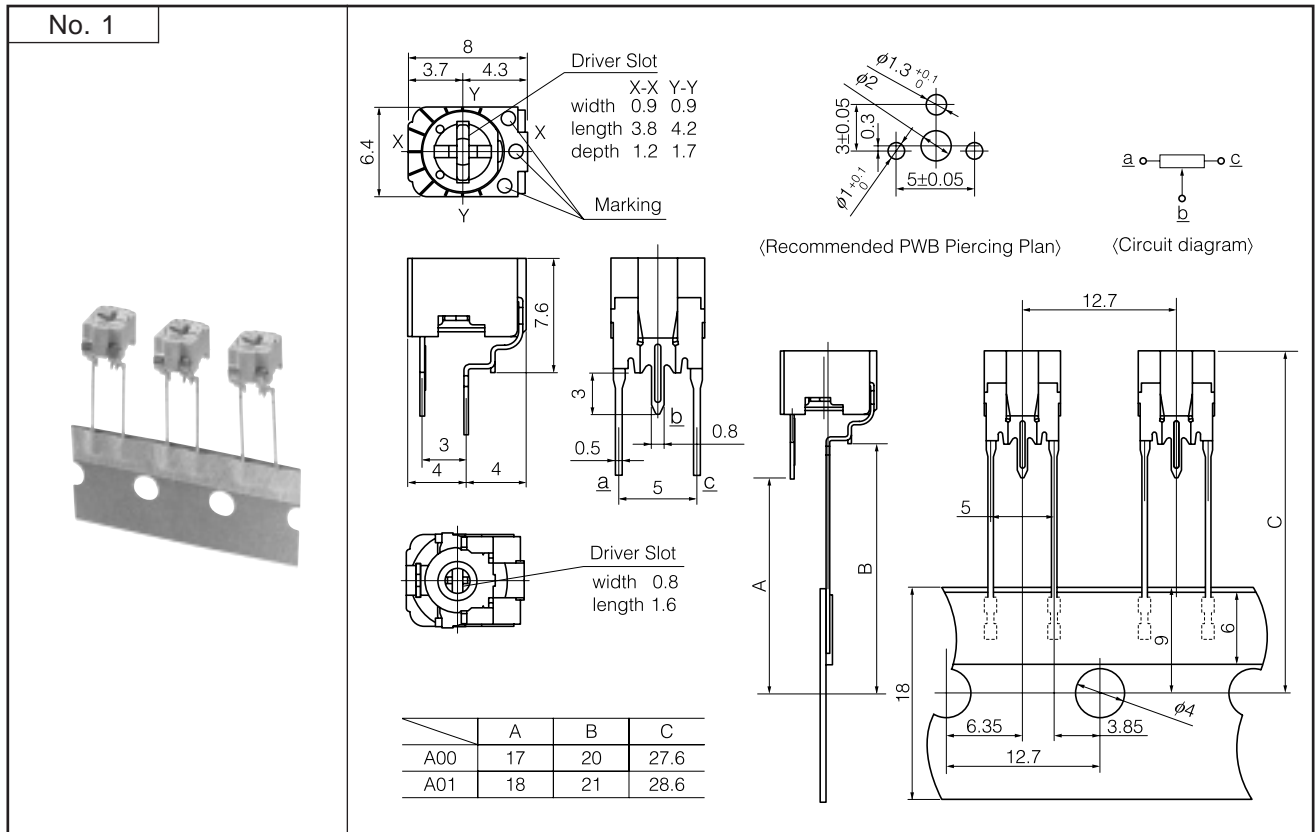
■ Minimum Quantity/Packing Unit

Part Number	Radial taping		Bulk	
	Quantity per Box	Packaging quantity	Quantity per pack	Packaging quantity
EVMEYS EVMEVS	1000	10000	—	—
EVMEYG EVMEVG	—	—	200	2000

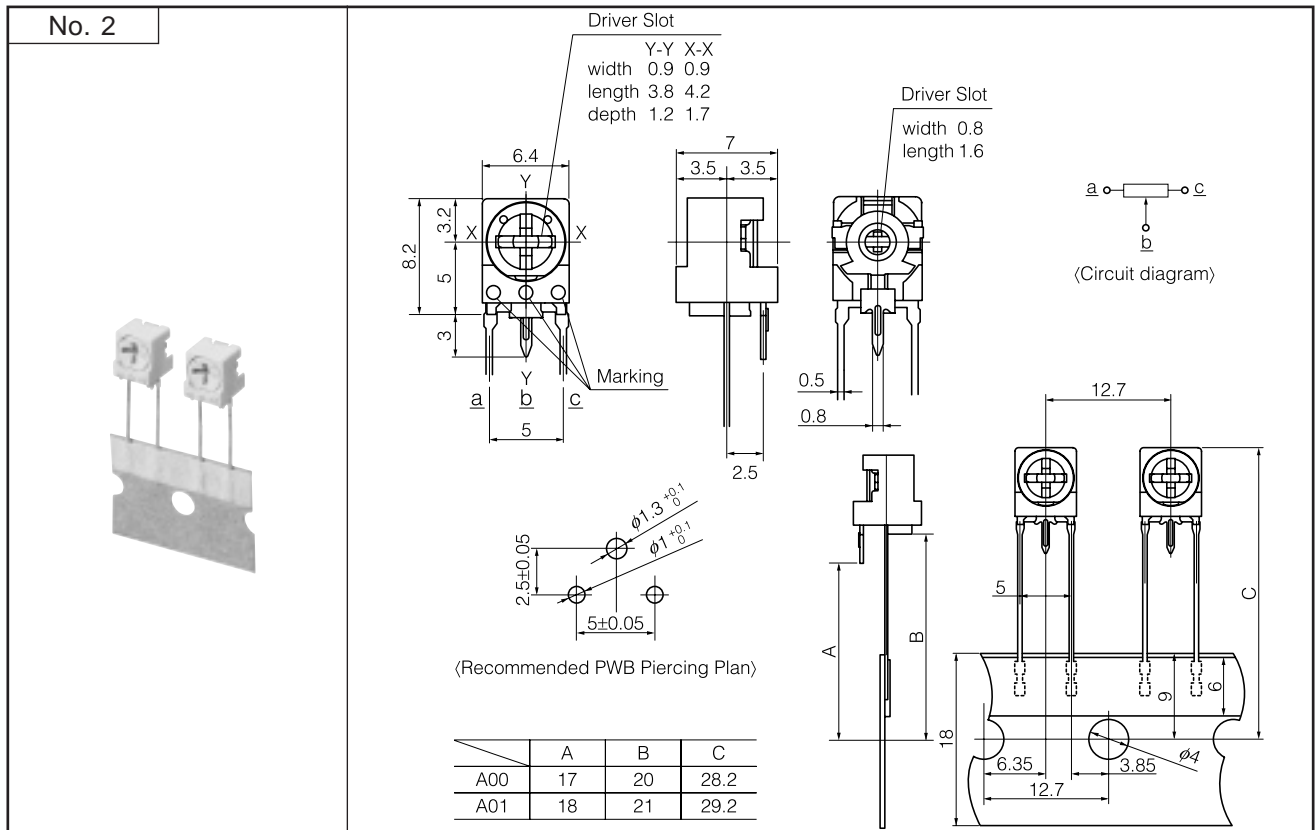
■ Dimensions in mm (not to scale)

● Radial tapering

● 3-terminal, Top-adjust, Closs/Ordinary Slots EVMEYS



● 3-terminal, Side-adjust, Closs/Ordinary Slots EVMEYS




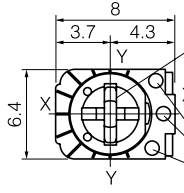
■ Dimensions in mm (not to scale)

● Bulk

● 3-terminal, Top-adjust, Closs/Ordinary Slots EVMEYG

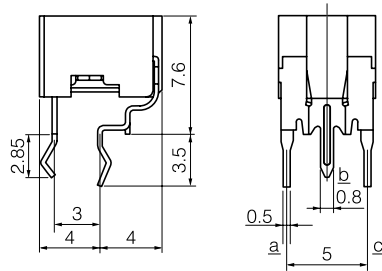
No. 3

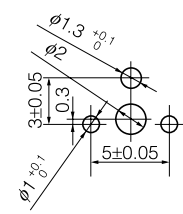




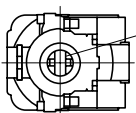
Driver Slot
 X-X Y-Y
 width 0.9 0.9
 length 3.8 4.2
 depth 1.2 1.7

Marking

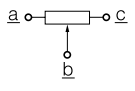




(Recommended PWB Piercing Plan)




Driver Slot
 width 0.8
 length 1.6

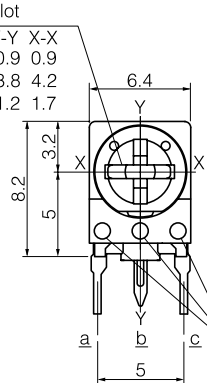


(Circuit diagram)

● 3-terminal, Side-adjust, Closs/Ordinary Slots EVMEVG

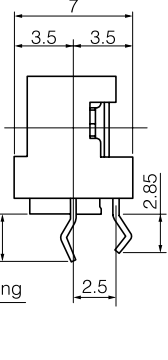
No. 4

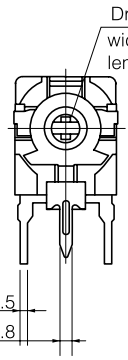




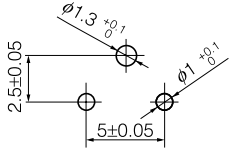
Driver Slot
 Y-Y X-X
 width 0.9 0.9
 length 3.8 4.2
 depth 1.2 1.7

Marking

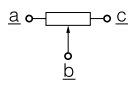




Driver Slot
 width 0.8
 length 1.6



(Recommended PWB Piercing Plan)



(Circuit diagram)

■ Explanation of Part Numbers

Type	Symbol
6 mm Square Dustproof Radial Taping with Knob Protection	EVMEA, EVMEG EVMEE, EVMEY, EVMEV
6 mm Square Dustproof Radial Taping	EVMAA, EVMAE
6 mm Square Dustproof Bulk	EVM49, EVM4L
5 mm Square Dustproof Bulk	EVM2A
4 mm Square Dustproof Bulk	EVML1, EVML4

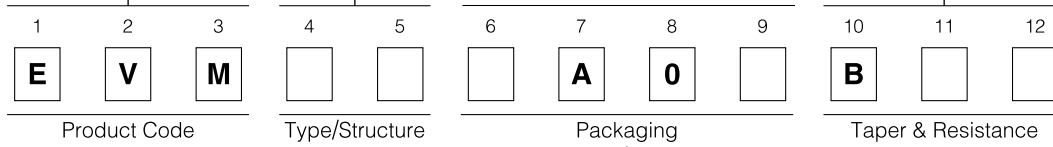
10 th Taper B	11 th Significant Number of resistance	12 th Number of zero
---------------------	--	-------------------------

Example:

Resistance	Symbol
500 Ω	52
47 kΩ	Q4
1 MΩ	16

Note: When significant number is odd, letters are assigned as shown below.

11th	Significant number
C	1.5
E	2.2
Y	3.3
Q	4.7
S	6.8



Symbol	Packaging
GA00	Bulk Standard
SA00	Radial taping height 20 mm
SA01	Radial taping height 21 mm