

## 阅读申明

- 1.本站收集的数据手册和产品资料都来自互联网，版权归原作者所有。如读者和版权方有任何异议请及时告之，我们将妥善解决。
- 2.本站提供的中文数据手册是英文数据手册的中文翻译，其目的是协助用户阅读，该译文无法自动跟随原稿更新，同时也可能存在翻译上的不当。建议读者以英文原稿为参考以便获得更精准的信息。
- 3.本站提供的产品资料，来自厂商的技术支持或者使用者的心得体会等，其内容可能存在描述上的差异，建议读者做出适当判断。
- 4.如需与我们联系，请发邮件到marketing@iczoom.com，主题请标有“数据手册”字样。

## Read Statement

1. The datasheets and other product information on the site are all from network reference or other public materials, and the copyright belongs to the original author and original published source. If readers and copyright owners have any objections, please contact us and we will deal with it in a timely manner.
2. The Chinese datasheets provided on the website is a Chinese translation of the English datasheets. Its purpose is for reader's learning exchange only and do not involve commercial purposes. The translation cannot be automatically updated with the original manuscript, and there may also be improper translations. Readers are advised to use the English manuscript as a reference for more accurate information.
3. All product information provided on the website refer to solutions from manufacturers' technical support or users the contents may have differences in description, and readers are advised to take the original article as the standard.
4. If you have any questions, please contact us at marketing@iczoom.com and mark the subject with "Datasheets" .

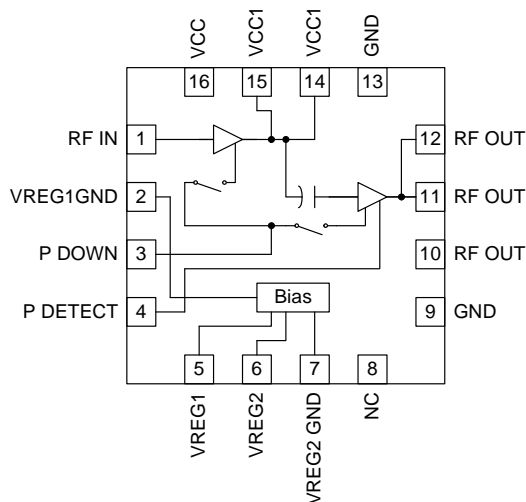


**Features**

- Single 3.3V or 5V Power Supply
- +33dBm Saturated Output Power (typ.)
- 20dB Large Signal Gain (typ.)
- 2.0% EVM @ +26dBm, 54Mbps (typ.)
- Separate Power Detect/Power Down Pins
- 1800MHz to 2500MHz Frequency Range

**Applications**

- 802.11b/g/n Access Points
- PCS Communication Systems
- 2.4GHz ISM Band Applications
- Commercial and Consumer Systems
- Portable Battery-Powered Equipment
- Broadband Spread-Spectrum Systems



Functional Block Diagram

**Product Description**

The RF5163 is a linear, medium-power, high-efficiency amplifier IC designed specifically for low voltage operation. The device is manufactured on an advanced Gallium Arsenide Heterojunction Bipolar Transistor (HBT) process, and has been designed for use as the final RF amplifier in 802.11b/g/n access point transmitters. The device is provided in a 4mmx4mm, 16-pin, leadless chip carrier with a backside ground. The RF5163 is designed to maintain linearity over a wide range of supply voltage and power output.

**Ordering Information**

RF5163	Standard 25 piece bag
RF5163PCK-410	Fully assembled evaluation board tuned for 2.4GHz to 2.5GHz and 5 loose sample pieces

**Optimum Technology Matching® Applied**

- |  |                                      |                                     |                                   |
|--|--------------------------------------|-------------------------------------|-----------------------------------|
| <input checked="" type="checkbox"/> GaAs HBT | <input type="checkbox"/> SiGe BiCMOS | <input type="checkbox"/> GaAs pHEMT | <input type="checkbox"/> GaN HEMT |
| <input type="checkbox"/> GaAs MESFET         | <input type="checkbox"/> Si BiCMOS   | <input type="checkbox"/> Si CMOS    |                                   |
| <input type="checkbox"/> InGaP HBT           | <input type="checkbox"/> SiGe HBT    | <input type="checkbox"/> Si BJT     |                                   |

RF MICRO DEVICES®, RFMD®, Optimum Technology Matching®, Enabling Wireless Connectivity™, PowerStar®, POLARIS™ TOTAL RADIO™ and UltimateBlue™ are trademarks of RFMD, LLC. BLUETOOTH is a trademark owned by Bluetooth SIG, Inc., U.S.A. and licensed for use by RFMD. All other trade names, trademarks and registered trademarks are the property of their respective owners. ©2006, RF Micro Devices, Inc.

## Absolute Maximum Ratings

Parameter	Rating	Unit
Supply Voltage	-0.5 to +5.5	V <sub>DC</sub>
Power Control Voltage (V <sub>PC</sub> )	-0.5 to 3.3	V
DC Supply Current	1000	mA
Input RF Power	+15	dBm
Operating Ambient Temperature	-30 to +85	°C
Reduced Performance Temperature	-40 to -30	°C
Storage Temperature	-40 to +150	°C
Moisture sensitivity	JEDEC Level 3	



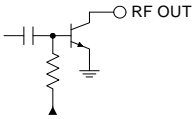
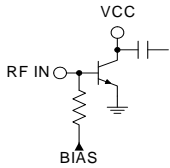
**Caution!** ESD sensitive device.

Exceeding any one or a combination of the Absolute Maximum Rating conditions may cause permanent damage to the device. Extended application of Absolute Maximum Rating conditions to the device may reduce device reliability. Specified typical performance or functional operation of the device under Absolute Maximum Rating conditions is not implied.

RoHS status based on EU Directive 2002/95/EC (at time of this document revision).

The information in this publication is believed to be accurate and reliable. However, no responsibility is assumed by RF Micro Devices, Inc. ("RFMD") for its use, nor for any infringement of patents, or other rights of third parties, resulting from its use. No license is granted by implication or otherwise under any patent or patent rights of RFMD. RFMD reserves the right to change component circuitry, recommended application circuitry and specifications at any time without prior notice.

Parameter	Specification			Unit	Condition
	Min.	Typ.	Max.		
<b>Overall</b>					T = 25 °C, V <sub>CC</sub> = 5.0V, V <sub>REG1,2</sub> = 3V, Freq = 2450 MHz
Frequency Range		2400 to 2500		MHz	
Compliance					IEEE802.11g and IEEE802.11b
Output Power		+26		dBm	With 802.11g modulation (54 Mbit/s) and meeting 802.11g spectral mask @ <2.5% maximum EVM (RMS, mean).
EVM		2.0		%	Increase over EVM floor; RF P <sub>OUT</sub> = +26 dBm
Gain		20		dB	@ +6 dBm RF Pin
Input Impedance				Ω	Please see Theory of Operation.
Output VSWR			10:1		No oscillation
<b>Power Down</b>					
V <sub>CC</sub> and V <sub>CC1</sub> are "ON"			0.6	V <sub>DC</sub>	Pin 3 (P_DOWN) Voltage < 0.6V <sub>DC</sub>
V <sub>CC</sub> and V <sub>CC1</sub> are "OFF"		4.0	5.0	V <sub>DC</sub>	Pin 3 (P_DOWN) Voltage > 2.5V <sub>DC</sub>
<b>Power Supply</b>					
Operating Voltage		3.0 to 5.0		V	
Current Consumption		520		mA	Power Down "ON", P <sub>OUT</sub> = +26 dBm
		260		mA	Idle current
V <sub>REG</sub> (Bias) Voltage (V <sub>REG1</sub> , V <sub>REG2</sub> )		3.0		V	
V <sub>REG</sub> (Bias) Current (Total)		5		mA	

Pin	Function	Description	Interface Schematic
1	RF IN	RF input. Matching network with DC-block required; see evaluation board schematic for details.	See pin 14.
2	VREG1 GND	First stage bias circuit ground. Keep PCB traces short and connect immediately to ground plane.	
3	P DOWN	Power down pin. Apply $<0.6V_{DC}$ to power up both $V_{CC}$ and $V_{CC1}$ . Apply $2.5V_{DC}$ to $3.5V_{DC}$ to power down. If function is not desired pin may be grounded.	
4	P DETECT	The P_DOWN and P_DETECT pins can be used in conjunction with an external feedback path to provide an RF power control function for the RF5163. The power control function is based on sampling the RF drive to the final stage of the RF5163. If function is not desired, pin may be left unterminated.	
5	VREG1	First stage bias input - requires regulated voltage to maintain desired $I_{CC}$ .	
6	VREG2	Second stage bias input - requires regulated voltage to maintain desired $I_{CC}$ . May be tied to pin 5 input after series resistors.	
7	VREG2 GND	Second stage bias circuit ground. Ground with a 10nH inductor.	
8	NC	No connect (N/C).	
9	GND	Ground connection. For best performance, keep PCB trace lengths short.	
10	RF OUT	Same as pin 11.	
11	RF OUT	RF output and bias for the output stage. The power supply for the output transistor needs to be supplied to this pin. This can be done through a quarter-wave ( $\lambda/4$ ) microstrip line that is RF grounded at the other end, or through an RF inductor that supports the required DC current.	
12	RF OUT	Same as pin 11.	
13	GND	Same as pin 8.	
14	VCC1	Power supply pin for first stage. External low frequency bypass capacitors should be connected if no other low frequency decoupling is employed.	
15	VCC1	Same as pin 14.	
16	VCC	Power supply pin for bias circuits. External low frequency bypass capacitors should be connected if no other low frequency decoupling is employed.	
Pkg Base	GND	Ground connection. The back side of the package should be connected to the ground plane through as short a connection as possible, e.g., PCB vias under the device are recommended.	See pins 1 and 2.

## Theory of Operation and Application Information

### RF5163PCBA Evaluation Board

The RF5163 is a two-stage device with a nominal gain of 20dB in the 2.4GHz to 2.5GHz Industrial, Scientific, and Medical (ISM) band. The RF5163 is designed primarily for fixed IEEE802.11g/n WiFi applications requiring exceptionally linear RF output powers of +23dBm to +28dBm.

The RF5163 requires a single positive supply of 5.0V nominal to operate to full specifications. Power control is provided through two (2) separate and independent methods. The first method is through two (2) bias control pins ( $V_{REG1}$  and  $V_{REG2}$ ). In most applications, both  $V_{REG1}$  and  $V_{REG2}$  are tied together and used as a single control input. The second method is through the use of a dedicated Power Down (P\_Down) pin. Applying less than (<)  $0.6V_{DC}$  to the RF5163 P\_Down pin fully turns “ON” both  $V_{CC}$  and  $V_{CC1}$  power circuits. Applying  $2.5V_{DC}$  to  $3.5V_{DC}$  to the RF5163 P\_Down pin fully turns “OFF” both  $V_{CC}$  and  $V_{CC1}$  circuits. Turning the RF5163 “ON” and/or “OFF” by using the P\_Down pin is accomplished without regard to system voltage regulator turn-on and turn-off settling time restraints.

There is some external matching on the input and output of the RF5163, thus allowing the RF5163 to be used in other applications outside the 2.4GHz to 2.5GHz ISM band (such as IEEE802.16d/e in the 2.3GHz band). Both the input and output of the device require a series DC-blocking capacitor. In some cases, a capacitor used as a matching component can also serve as the blocking cap. The circuits used on the RF5163PCBA and RF5163PCBA-WD Evaluation Boards are optimized for  $V_{CC}=+5.0V_{DC}$  operation.

The RF5163 is not difficult to implement, however, care in printed circuit board layout and component selection is highly recommended when implementing 2.5GHz capable circuits. Critical passive components in the RF5163PCBA Evaluation Board circuit are interstage and output matching components (C13, C15, and C16). In these cases, high-Q (Quality factor) capacitors suitable for RF application are used on the evaluation board (an evaluation board bill of material (BOM) is available upon request). High-Q components are not required in every design, but it is strongly recommended that the initial design be implemented with the same components used on the RF5163PCBA Evaluation Board. After establishing initial baseline performance, less costly components may be substituted to evaluate performance impact.

The input matching inductor L1 and the DC blocking capacitor C14 helps to tune the peak of the small-signal gain response as well as improve the linearity of the PA. The input impedance of the PA will not be  $50\Omega$  with this input match so do not use a Smith Chart for guidance for value selection and parts placement. With a  $50\Omega$  input into the input match as shown on the Evaluation Board schematic, the PA will perform as expected with an expected input return loss of  $\sim -2$ dB. The input L1 should be placed with reference to the position as shown on the RF5163PCBA Evaluation Board schematic.

The interstage matching capacitor, C13, along with the combined inductance of the internal bond wire, the short length of circuit board trace, and the parasitic inductance of the capacitor, tunes the peak of the small-signal gain response. The trace length between C13 and RF5163 pins 14 and 15 should be kept as close to the evaluation board schematic as possible.

The output matching capacitors are C15 and C16. These capacitors are placed with reference to position along transmission line segments TL1 and TL2, as shown on the RF5163PCBA Evaluation Board schematic. These segments should be duplicated as closely as possible. Due to variations in FR-4 characteristics and PCB manufacturer process variations, some benefit is obtained from small adjustments to TL1 and TL2 length when the evaluation board is duplicated. Prior to full scale manufacturing, the board layout of early prototypes should include some additional exposed ground areas around C15 and C16 to optimize this part of the circuit. The AC coupling capacitor, C10, may be placed very close to C15. The output match is complete at C15.

R3 at RF5163 pin 4 (P\_Detect) desensitizes the P\_Detect line from the value of C12. Without R3, the value of C12 may affect error vector magnitude (EVM) under certain operational conditions.

The RF5163 has primarily been characterized with a voltage on  $V_{REG1}$  and  $V_{REG2}$  of  $+3.0V_{DC}$ . However, the RF5163 will operate from a wide range of control voltages. If a different control voltage is desired, contact RFMD Sales or Applications Engineering for additional data and guidance.

**RF5163PCBA-WD Evaluation Board:**

The RF5163PCBA-WD Evaluation Board was developed to assist prospective customers of the RF5163 with a completely characterized medium to high power amplifier solution incorporating a highly linear driver amplifier stage. In applications requiring more than 20dB to 22dB amplifier stage gain, the RF5163PCBA-WD Evaluation Board design may be employed to achieve higher gain combined with ultra linear RF power output for high peak-to-average power ratio applications (e.g., orthogonal frequency division multiplex (OFDM) modulation).

**Package Drawing**

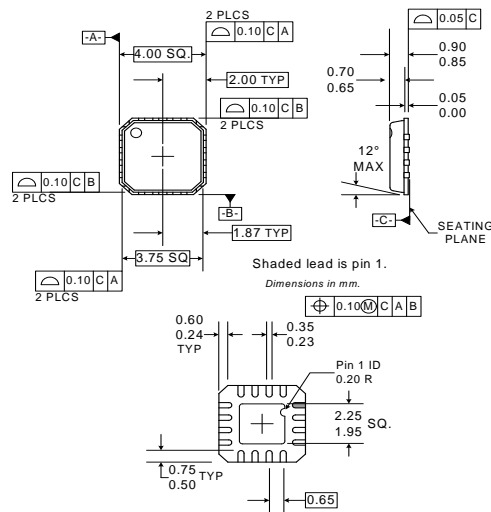


Figure 1 below shows the major component line-up for an ultra linear fixed application (e.g., an access point (AP) transmitter capable of producing +26dBm RF P<sub>OUT</sub> with an amplifier stage (driver + final stage power amplifier IC, RF2373 + RF5163) EVM contribution of < 2.5% EVM, RMS (mean).

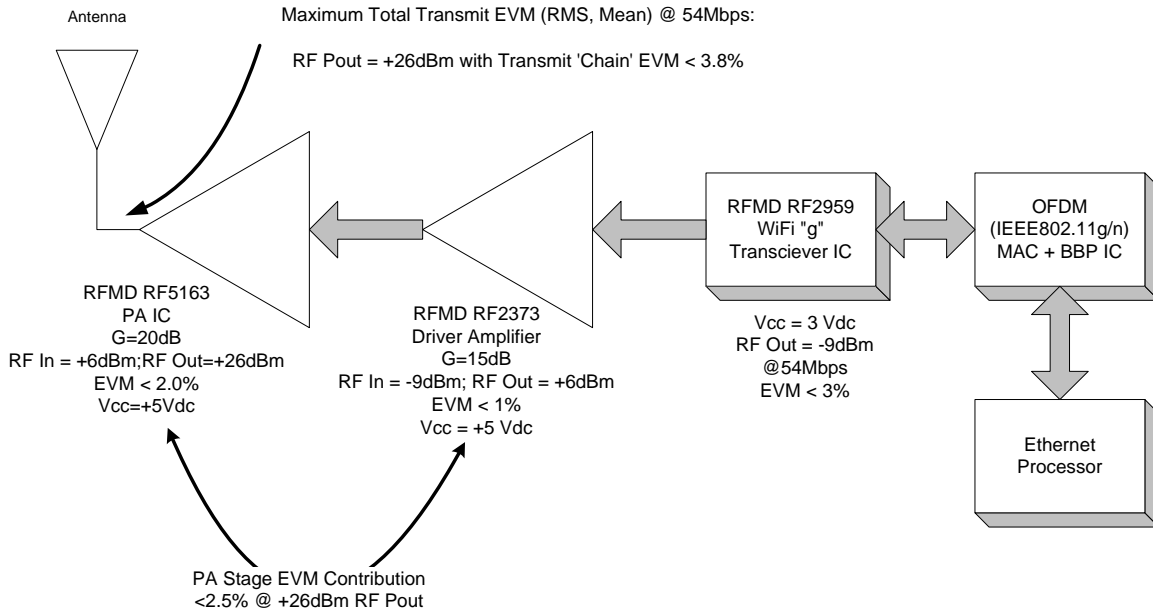


Figure 1. IEEE802.11g/n AP Transmitter Major Component Line-Up

The RF5163PCBA-WD Evaluation Board employs the RF2373 as a driver amplifier at the input to the RF5163 (as final stage power amplifier IC). The RF2373 is a very high linearity single stage low noise amplifier (LNA)/driver amplifier that demonstrates approximately 15dB of gain from 2400MHz to 2500MHz and is capable of delivering +6dBm RF P<sub>OUT</sub> at < 1% EVM (RMS, mean). The RF5163PCBA-WD Evaluation Board is designed to maximize both useful gain and ultra linear transmit power performance. Typical RF5163PCBA-WD Evaluation Board specifications are shown in the Table below:

**Typical RF5163PCBA-WD Evaluation Board Specifications:**

Frequency Range	2400		2500	MHz	T= 25 °C, V <sub>CC</sub> = +5.0V <sub>DC</sub> ; All V <sub>REG</sub> voltages= +3.0V <sub>DC</sub>  RMS, mean (IEEE802.11g/n; Maximum Data Rate) -10dBm RF Pin  RF P <sub>OUT</sub> = +26dBm; RF PIN=-10dBm; P_Down is "ON", IEEE802.11g/n Modulation @ Maximum Data Rate
Output Power		+26		dBm	
EVM			2.5	%	
Gain		33	40	dB	
<b>Power Supply</b>					
Operating Voltage (V <sub>CC</sub> )		5.0		V <sub>DC</sub>	
Bias Voltage (V <sub>REG</sub> )		3.0		V <sub>DC</sub>	
Current Consumption		660		mA	

All application information described above for the RF5163PCBA Evaluation Board applies directly to the RF5163PCBA-WD Evaluation Board.

On the RF5163PCBA-WD Evaluation Board schematic, reference designator U1 identifies the RF2373 and reference designator U2 identifies the RF5163.  $V_{CC}$  (nominal +5.0V<sub>DC</sub>) is supplied to both U1 (RF2373) and U2 (RF5163) simultaneously through P2, two-pin header connector.  $V_{CC}$  is applied to the RF2373 through RF2373 pin 4 (RF OUT). Inductor L4 is positioned to isolate the power supply line from C7 (RF2373 output tuning capacitor).

R3 on RF2373 pin 3 sets the bias current for RF2373  $V_{BIAS}$  voltage. As employed within the RF5163PCBA-WD Evaluation Board, the RF2373 is biased for  $V_{BIAS}$  voltage of +3.0V<sub>DC</sub>. RF2373 bias voltage is supplied through P3, two-pin header connector.

Critical RF5163 input and output tuning components are L2, C11, C13, C16, and C17. The resistor values for R7 and R8 have changed from the original values in the RF5163 evaluation board schematic. Critical RF2373 input and output tuning components are C6, C7 and L4. In these cases, high-Q capacitors suitable for RF applications are used on the RF5163PCBA-WD Evaluation Board (bill of material (BOM) is available upon request). 50Ω transmission line segments are employed at both the input and output of the RF2373. It is strongly recommended that the construction of these transmission line segments be followed as closely as possible to yield best gain, gain flatness, and linear amplifier driver performance.

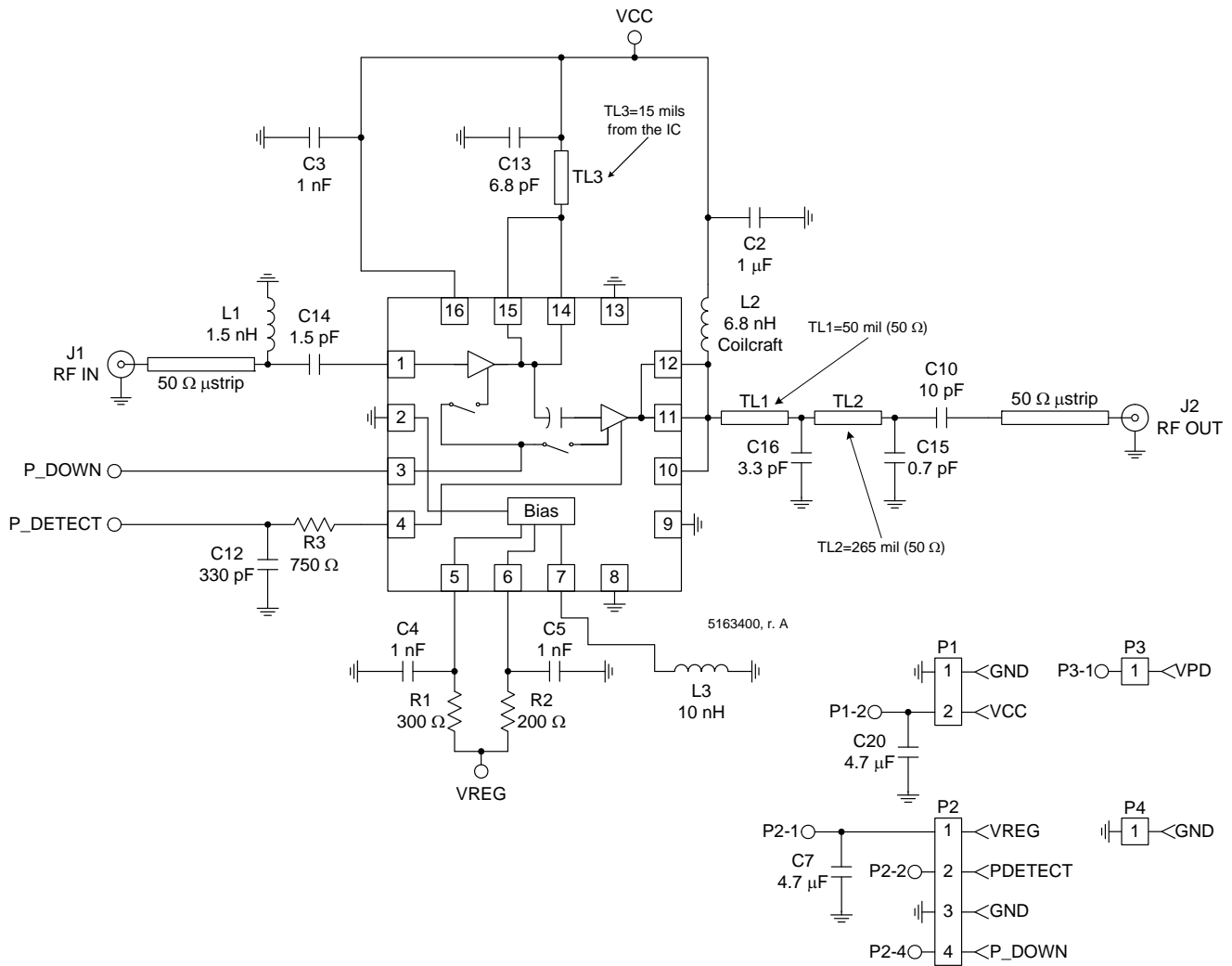
The RF5163PCBA-WD Evaluation Board includes two (2) locations where separate and independent 3dB loss pads may be populated. These two (2) 3dB loss pads are provided to reduce the overall gain of the RF2373+RF5163 amplifier combination (which can achieve 40dB gain if not reduced through the use of the available 3dB loss pads). If no gain reduction is desired simply place resistors R11 and R2 as zero (0) resistor values. If only a single 3dB loss pad is desired for circuit operation it is recommended to use the R9, R10, R11 3dB loss pad positioned in series with and before RF2373 pin 1 (RF IN). Place resistor R2 as a zero (0) value resistor.

The RF5163PCBA-WD Evaluation Board has been characterized with a  $V_{CC}$  voltage of +5.0V<sub>DC</sub>, RF5163  $V_{REG1}$  and  $V_{REG2}$  voltage of +3.0V<sub>DC</sub>, and RF2373 bias ( $V_{BIAS}$  or  $V_{PD}$ ) voltage of +3.0V<sub>DC</sub>. These are ideal operating conditions to achieve the best combination of gain and ultra linear transmitter performance at an RF  $P_{OUT}$ =+26dBm. However, the RF5163PCBA-WD Evaluation Board will operate from a wide range of  $V_{CC}$  and control voltages. If a different set of  $V_{CC}$  and/or control voltages is desired, contact RFMD Sales or Applications Engineering for additional data and guidance.

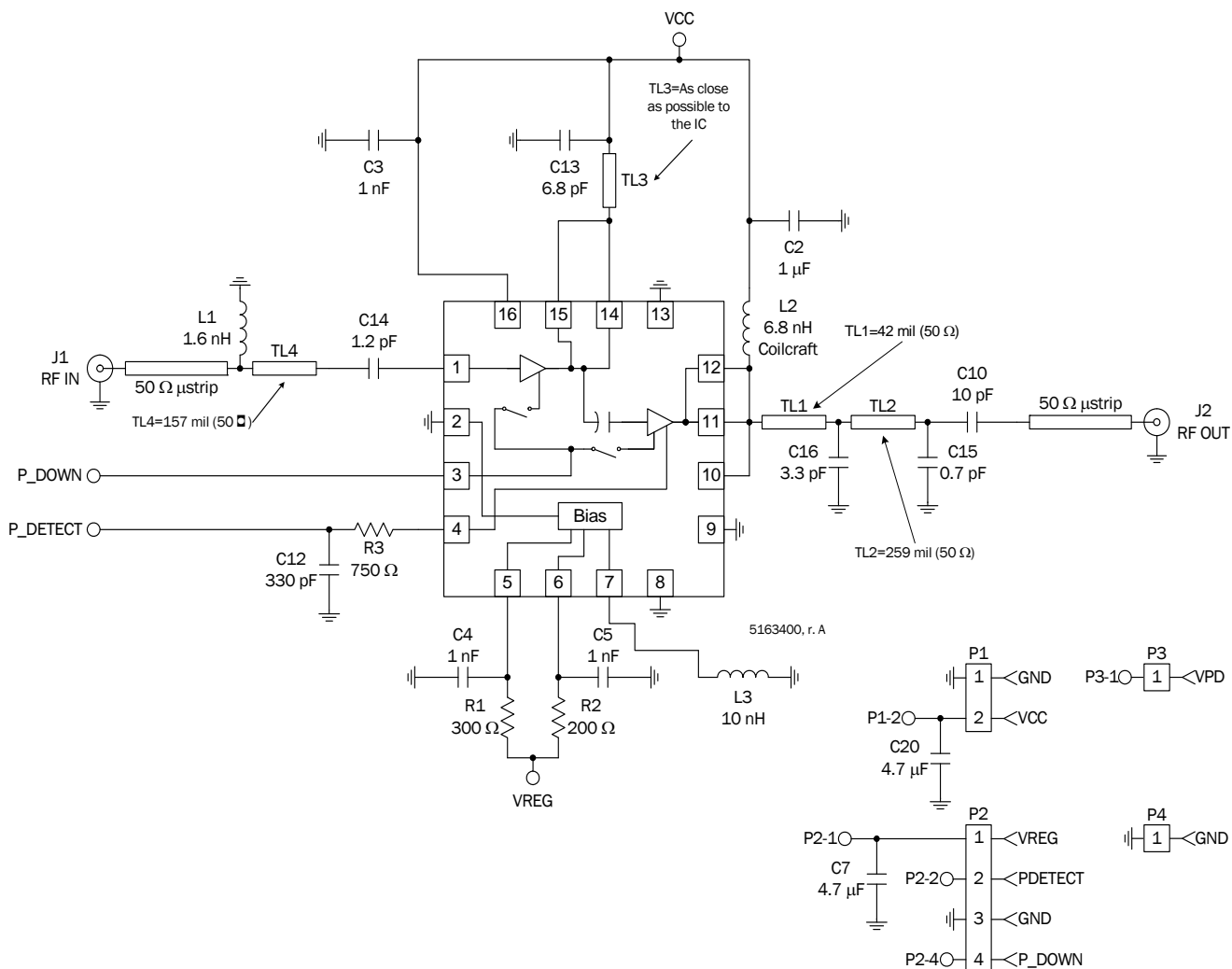


## Evaluation Board Schematic

RF5163PCBA Evaluation Board (2400MHz to 2500MHz)

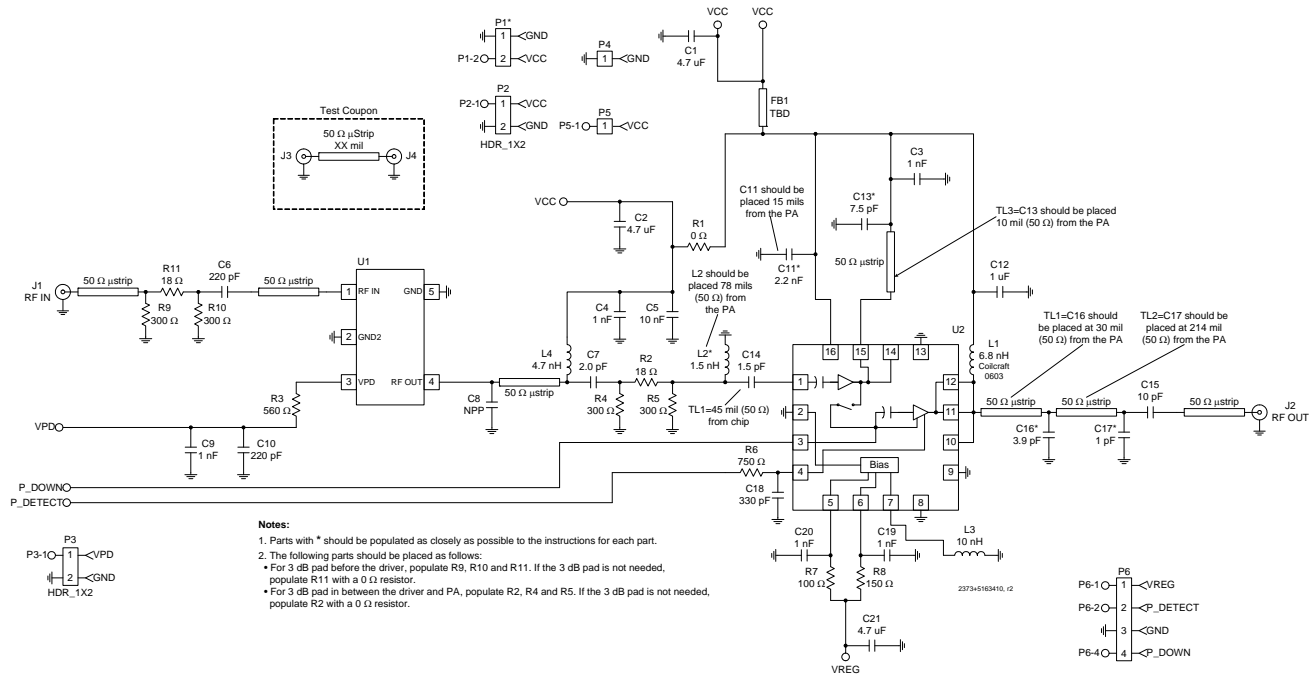


**Evaluation Board Schematic**  
WiMAX 2.5GHz to 2.7 GHz Operation



## Evaluation Board Schematic

### RF5163PCBA-WD Evaluation Board (2400MHz to 2500MHz)

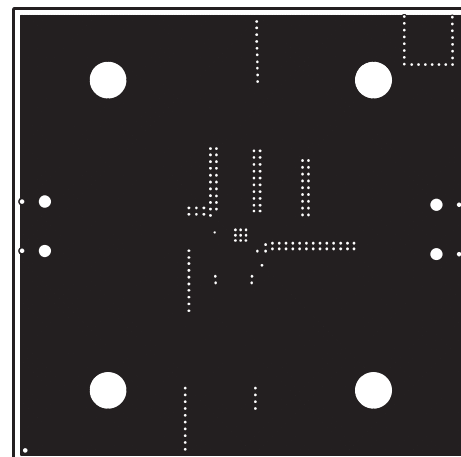
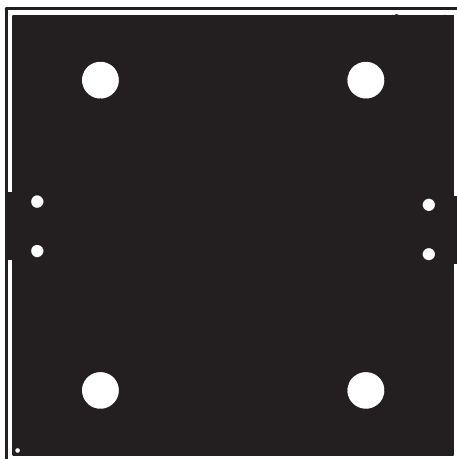
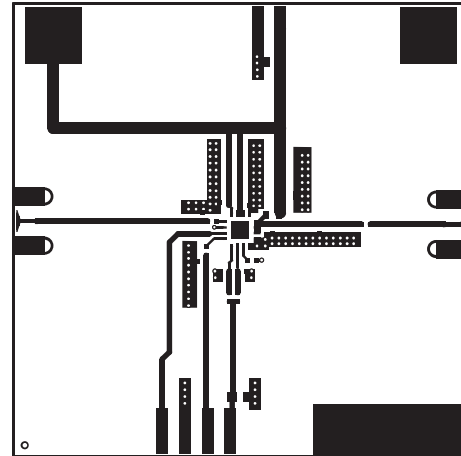
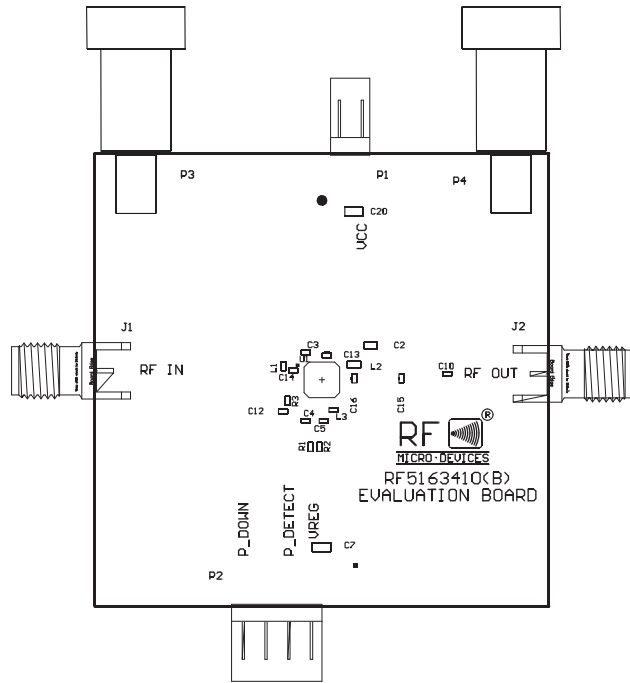


**Evaluation Board Layout**

RF5163PCBA Evaluation Board (2400MHz to 2500MHz)

Board Size 2.0" x 2.0"

Board Thickness 0.031", Board Material FR-4, Multi-Layer



## Evaluation Board Layout RF5163PCBA-WD Evaluation Board (2400MHz to 2500MHz)

Board Size 2.0" x 2.0"

Board Thickness 0.031", Board Material FR-4, Multi-Layer

