

阅读申明

- 1.本站收集的数据手册和产品资料都来自互联网，版权归原作者所有。如读者和版权方有任何异议请及时告之，我们将妥善解决。
- 2.本站提供的中文数据手册是英文数据手册的中文翻译，其目的是协助用户阅读，该译文无法自动跟随原稿更新，同时也可能存在翻译上的不当。建议读者以英文原稿为参考以便获得更精准的信息。
- 3.本站提供的产品资料，来自厂商的技术支持或者使用者的心得体会等，其内容可能存在描述上的差异，建议读者做出适当判断。
- 4.如需与我们联系，请发邮件到marketing@iczoom.com，主题请标有“数据手册”字样。

Read Statement

1. The datasheets and other product information on the site are all from network reference or other public materials, and the copyright belongs to the original author and original published source. If readers and copyright owners have any objections, please contact us and we will deal with it in a timely manner.
2. The Chinese datasheets provided on the website is a Chinese translation of the English datasheets. Its purpose is for reader's learning exchange only and do not involve commercial purposes. The translation cannot be automatically updated with the original manuscript, and there may also be improper translations. Readers are advised to use the English manuscript as a reference for more accurate information.
3. All product information provided on the website refer to solutions from manufacturers' technical support or users the contents may have differences in description, and readers are advised to take the original article as the standard.
4. If you have any questions, please contact us at marketing@iczoom.com and mark the subject with "Datasheets" .

RoHS Compliant & Pb-Free Product
Package Style: QFN, 12-Pin, 3 x 3

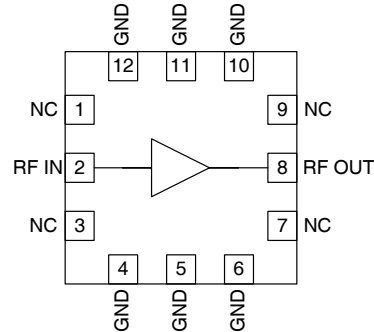


Features

- DC to >6000MHz Operation
- Internally Matched Input and Output
- 13.2dB Small Signal Gain
- +28.7dBm Output IP3
- +16.0dBm Output P1dB
- Footprint Compatible with Micro-X

Applications

- Basestation Applications
- Broadband, Low-Noise Gain Blocks
- IF or RF Buffer Amplifiers
- Driver Stage for Power Amplifiers
- Final PA for Low-Power Applications
- High Reliability Applications



Functional Block Diagram

Product Description

The RF3395 is a general purpose, low-cost RF amplifier IC. The device is manufactured on an advanced Gallium Arsenide Heterojunction Bipolar Transistor (HBT) process, and has been designed for use as an easily-cascadable 50Ω gain block. Applications include IF and RF amplification in wireless voice and data communication products operating in frequency bands up to 6000MHz. The device is self-contained with 50Ω input and output impedances and requires only two external DC-biasing elements to operate as specified. The device is designed for cost effective high reliability in a plastic package. The 3mmx3mm footprint is compatible with standard ceramic and plastic Micro-X packages.

Ordering Information

RF3395 General Purpose Amplifier
RF3395PCBA-41X Fully Assembled Evaluation Board

Optimum Technology Matching® Applied

- | | | | |
|--|--------------------------------------|-------------------------------------|-----------------------------------|
| <input checked="" type="checkbox"/> GaAs HBT | <input type="checkbox"/> SiGe BiCMOS | <input type="checkbox"/> GaAs pHEMT | <input type="checkbox"/> GaN HEMT |
| <input type="checkbox"/> GaAs MESFET | <input type="checkbox"/> Si BiCMOS | <input type="checkbox"/> Si CMOS | |
| <input type="checkbox"/> InGaP HBT | <input type="checkbox"/> SiGe HBT | <input type="checkbox"/> Si BJT | |

RF MICRO DEVICES®, RFMD®, Optimum Technology Matching®, Enabling Wireless Connectivity™, PowerStar®, POLARIS™ TOTAL RADIO™ and UltimateBlue™ are trademarks of RFMD, LLC. BLUETOOTH is a trademark owned by Bluetooth SIG, Inc., U.S.A. and licensed for use by RFMD. All other trade names, trademarks and registered trademarks are the property of their respective owners. ©2006, RF Micro Devices, Inc.

Absolute Maximum Ratings

| Parameter | Rating | Unit |
|-------------------------------|-------------|------|
| Input RF Power | +13 | dBm |
| Operating Ambient Temperature | -40 to +85 | °C |
| Storage Temperature | -60 to +150 | °C |
| I _{CC} | 80 | mA |



Caution! ESD sensitive device.

Exceeding any one or a combination of the Absolute Maximum Rating conditions may cause permanent damage to the device. Extended application of Absolute Maximum Rating conditions to the device may reduce device reliability. Specified typical performance or functional operation of the device under Absolute Maximum Rating conditions is not implied.

RoHS status based on EU Directive 2002/95/EC (at time of this document revision).

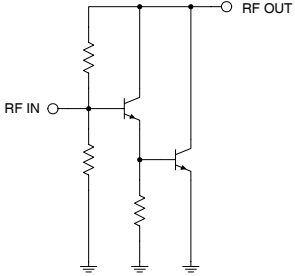
The information in this publication is believed to be accurate and reliable. However, no responsibility is assumed by RF Micro Devices, Inc. ("RFMD") for its use, nor for any infringement of patents, or other rights of third parties, resulting from its use. No license is granted by implication or otherwise under any patent or patent rights of RFMD. RFMD reserves the right to change component circuitry, recommended application circuitry and specifications at any time without prior notice.

| Parameter | Specification | | | Unit | Condition |
|---|---------------|-------------|------|-------|--|
| | Min. | Typ. | Max. | | |
| Overall | | | | | T=25 °C, I _{CC} =65mA (See Note 1.) |
| Frequency Range | | DC to >6000 | | MHz | |
| 3dB Bandwidth | | 6 | | GHz | |
| Gain | 12.5 | 13.5 | | dB | Freq = 500MHz |
| | 12.5 | 13.5 | | dB | Freq = 850MHz |
| | 12.2 | 13.2 | | dB | Freq = 2000MHz |
| | 11.7 | 12.7 | | dB | Freq = 3000MHz |
| | 11.4 | 12.4 | | | Freq = 4000MHz |
| | 10.0 | 11.0 | | | Freq = 6000MHz |
| Noise Figure | | 4.5 | | dB | Freq = 2000MHz |
| Input VSWR | | 1.9:1 | | | In a 50Ω system, DC to 6000MHz |
| Output VSWR | | 2.0:1 | | | In a 50Ω system, DC to 500MHz |
| | | 1.7:1 | | | In a 50Ω system, 500MHz to 6000MHz |
| Output IP ₃ | +30.0 | +34.5 | | dBm | Freq = 850MHz |
| | +25.7 | +28.7 | | dBm | Freq = 2000MHz |
| Output P _{1dB} | +17.0 | +18.6 | | dBm | Freq = 850MHz |
| | +14.5 | +16.0 | | dBm | Freq = 2000MHz |
| Reverse Isolation | | -18.0 | | dB | Freq = 2000MHz |
| Thermal | | | | | I _{CC} = 65mA, P _{DISS} = 313mW. (See Note 3.) |
| Theta _{JC} | | 221 | | °C/W | V _{PIN} = 4.81V |
| Maximum Measured Junction Temperature at DC Bias Conditions | | 154 | | °C | T _{AMB} = +85 °C |
| Mean Time to Failures | | 465 | | years | T _{AMB} = +85 °C |
| Power Supply | | | | | With 22Ω bias resistor, T = +25°C |
| Device Operating Voltage | 5.0 | 5.18 | 5.3 | V | At pin 8 with I _{CC} = 65mA |
| | 6.2 | 6.6 | 7.0 | V | At Evaluation Board Connector I _{CC} = 65mA |
| Operating Current | | 65 | 80 | mA | See Note 2. |

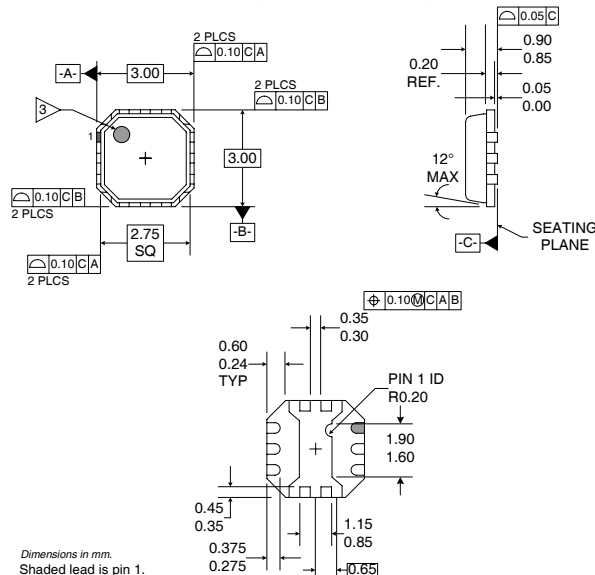
Note 1: All specification and characterization data has been gathered on standard FR-4 evaluation boards. These evaluation boards are not optimized for frequencies above 2.5GHz. Performance above 2.5GHz may improve if a high performance PCB is used.

Note 2: The RF3395 must be operated at or below 80mA in order to achieve the thermal performance listed above. While the RF3395 may be operated at higher bias currents, 65mA is the recommended bias to ensure the highest possible reliability and electrical performance.

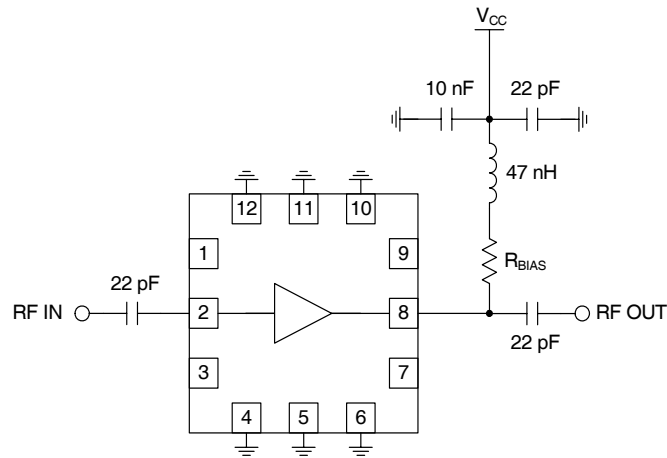
Note 3: Because of process variations from part to part, the current resulting from a fixed bias voltage will vary. As a result, caution should be used in designing fixed voltage bias circuits to ensure the worst case bias current does not exceed 80mA over all intended operating conditions.

| Pin | Function | Description | Interface Schematic |
|----------|----------|--|---|
| 1 | NC | No internal connections. It is not necessary to ground this pin. | |
| 2 | RF IN | RF input pin. This pin is NOT internally DC blocked. A DC blocking capacitor, suitable for the frequency of operation, should be used in most applications. DC coupling of the input is not allowed, because this will override the internal feedback loop and cause temperature instability. | |
| 3 | NC | No internal connections. It is not necessary to ground this pin. | |
| 4 | GND | Ground connection. | |
| 5 | GND | Ground connection. | |
| 6 | GND | Ground connection. | |
| 7 | NC | No internal connections. It is not necessary to ground this pin. | |
| 8 | RF OUT | RF output and bias pin. Biasing is accomplished with an external series resistor and choke inductor to V _{CC} . The resistor is selected to set the DC current into this pin to a desired level. The resistor value is determined by the following equation: $R = \frac{(V_{SUPPLY} - V_{DEVICE})}{I_{CC}}$ <p>Care should also be taken in the resistor selection to ensure that the current into the part never exceeds 80mA over the planned operating temperature. This means that a resistor between the supply and this pin is always required, even if a supply near 5.0V is available, to provide DC feedback to prevent thermal runaway. Because DC is present on this pin, a DC blocking capacitor, suitable for the frequency of operation, should be used in most applications. The supply side of the bias network should also be well bypassed.</p> |  |
| 9 | NC | No internal connections. It is not necessary to ground this pin. | |
| 10 | GND | Ground connection. | |
| 11 | GND | Ground connection. | |
| 12 | GND | Ground connection. | |
| Die Flag | GND | Ground connection. To ensure best performance, avoid placing ground vias directly beneath the part. | |

Package Drawing

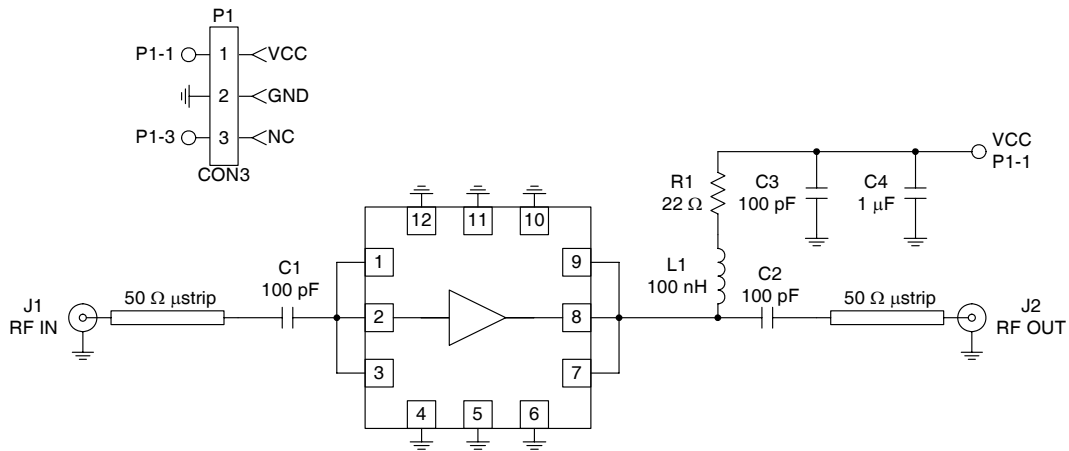


Application Schematic



Evaluation Board Schematic

(Download [Bill of Materials](http://www.rfmd.com) from www.rfmd.com.)



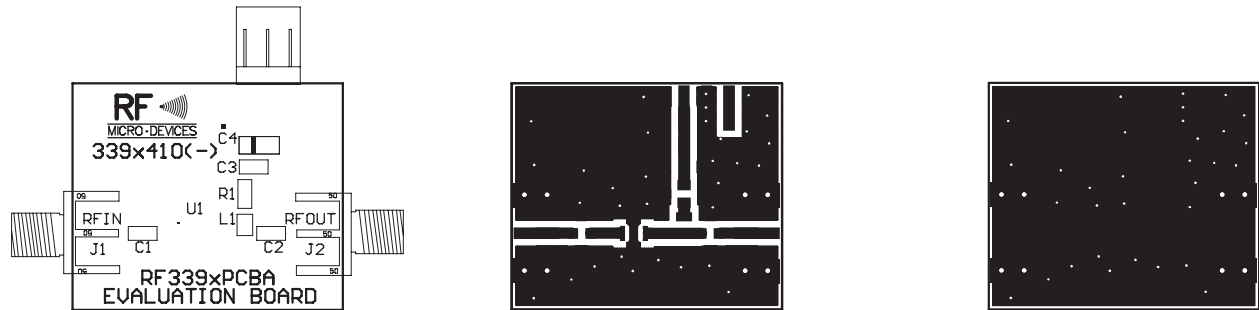
NOTE:

Evaluation board optimized for frequencies above 300 MHz and below 2.5 GHz. For operation below 300 MHz the value of inductor L1 and capacitors C1 and C2 should be increased.

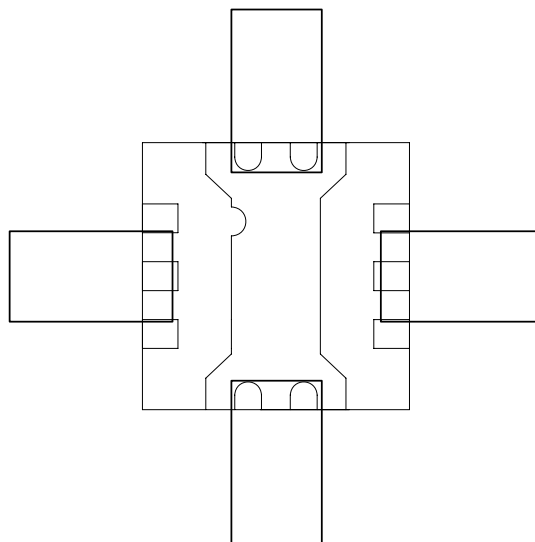
**Evaluation Board Layout
Board Size 1.195" x 1.000"**

Board Thickness 0.033", Board Material FR-4

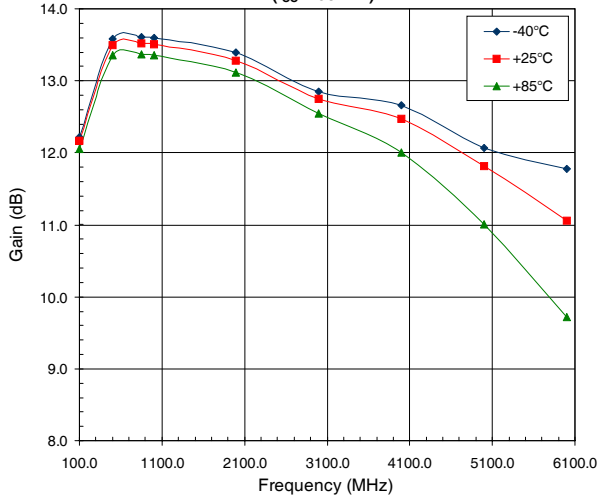
Note: A small amount of ground inductance is required to achieve datasheet performance. The necessary inductance may be generated by ensuring that no ground vias are placed directly below the footprint of the part.



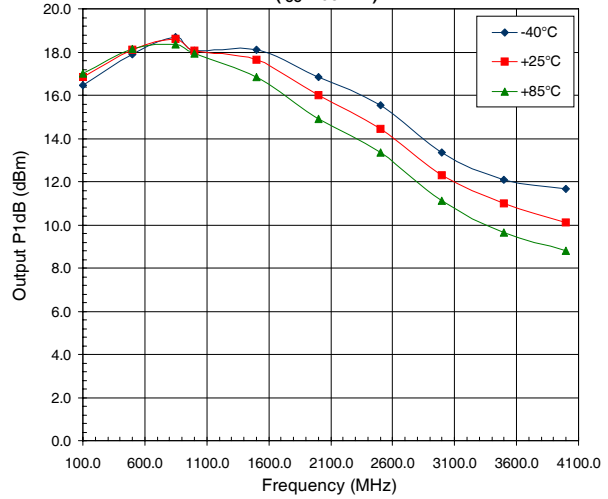
Overlay of Suggested Micro-X and 3mmx3mm Layouts Showing Compatibility



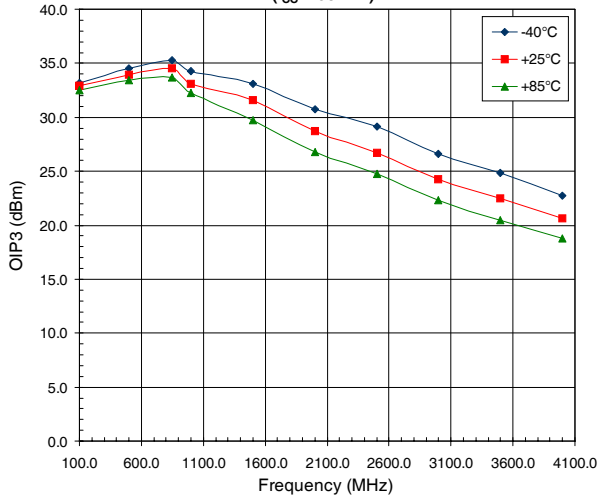
Gain versus Frequency Across Temperature
($I_{CC} = 65 \text{ mA}$)



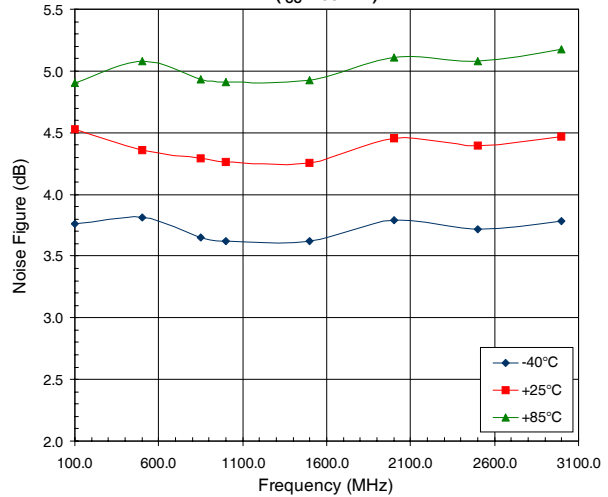
Output P1dB versus Frequency Across Temperature
($I_{CC} = 65 \text{ mA}$)



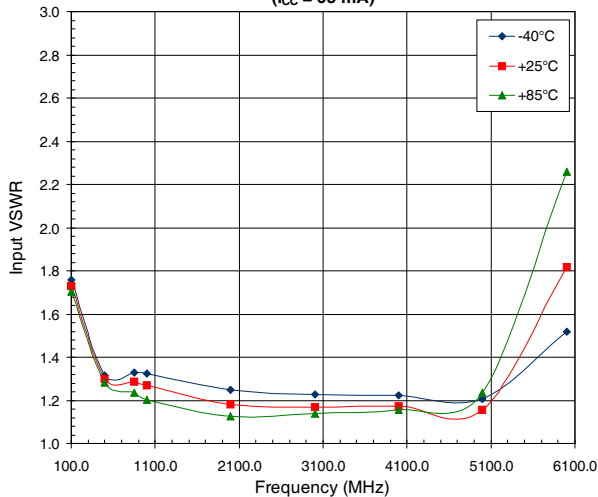
Output IP3 versus Frequency Across Temperature
($I_{CC} = 65 \text{ mA}$)



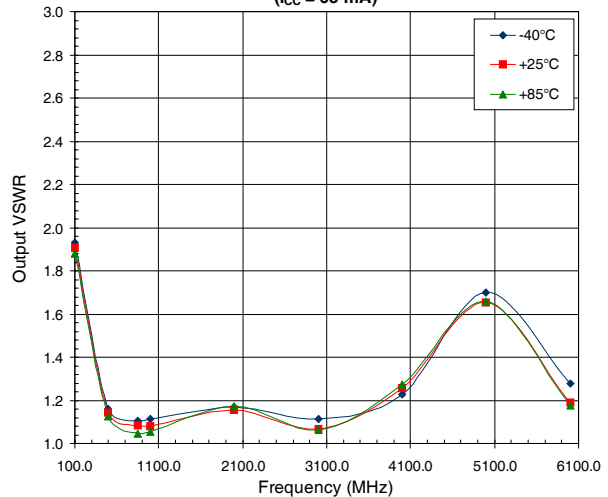
Noise Figure versus Frequency Across Temperature
($I_{CC} = 65 \text{ mA}$)

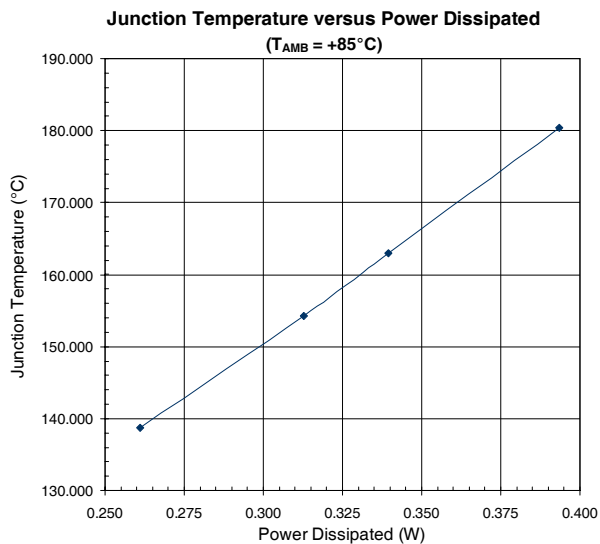
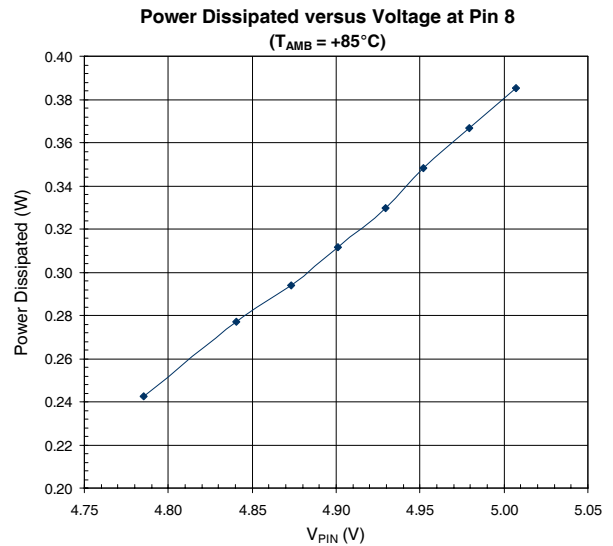
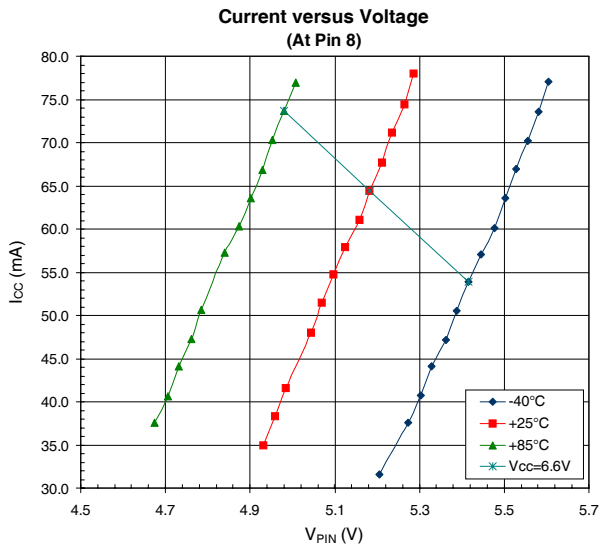
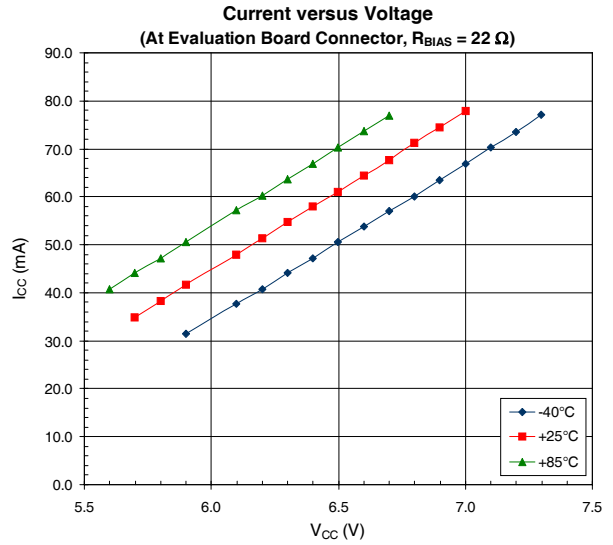
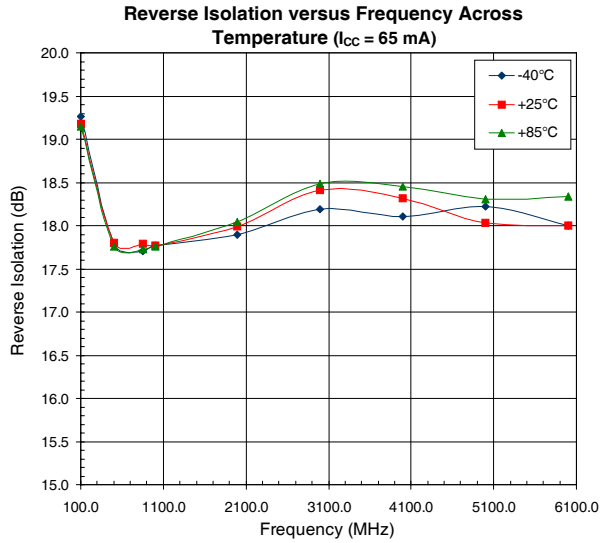


Input VSWR versus Frequency Across Temperature
($I_{CC} = 65 \text{ mA}$)



Output VSWR versus Frequency Across Temperature
($I_{CC} = 65 \text{ mA}$)





PCB Design Requirements

PCB Surface Finish

The PCB surface finish used for RFMD's qualification process is Electroless Nickel, immersion Gold. Typical thickness is 3µinch to 8µinch Gold over 180µinch Nickel.

PCB Land Pattern Recommendation

PCB land patterns are based on IPC-SM-782 standards when possible. The pad pattern shown has been developed and tested for optimized assembly at RFMD; however, it may require some modifications to address company specific assembly processes. The PCB land pattern has been developed to accommodate lead and package tolerances.

PCB Metal Land Mask Pattern

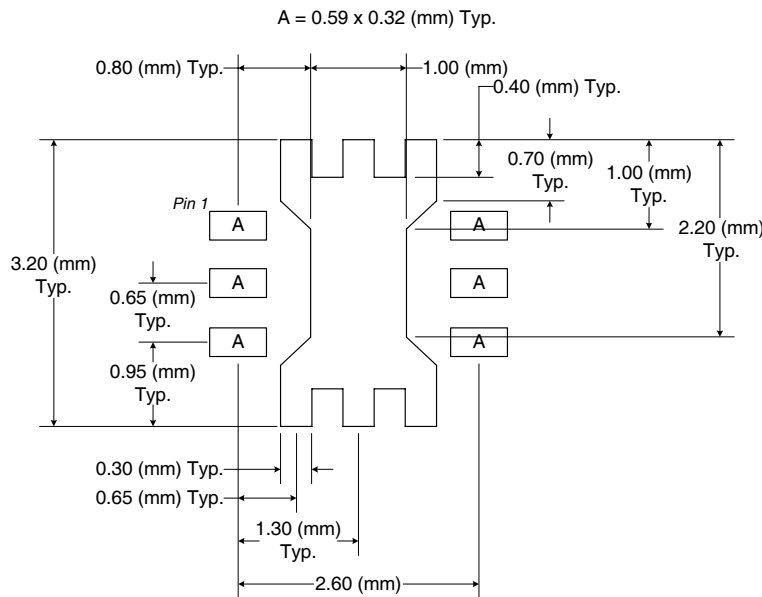


Figure 1. PCB Metal Land Pattern (Top View)

PCB Solder Mask Pattern

Liquid Photo-Imageable (LPI) solder mask is recommended. The solder mask footprint will match what is shown for the PCB metal land pattern with a 2mil to 3mil expansion to accommodate solder mask registration clearance around all pads. The center-grounding pad shall also have a solder mask clearance. Expansion of the pads to create solder mask clearance can be provided in the master data or requested from the PCB fabrication supplier.

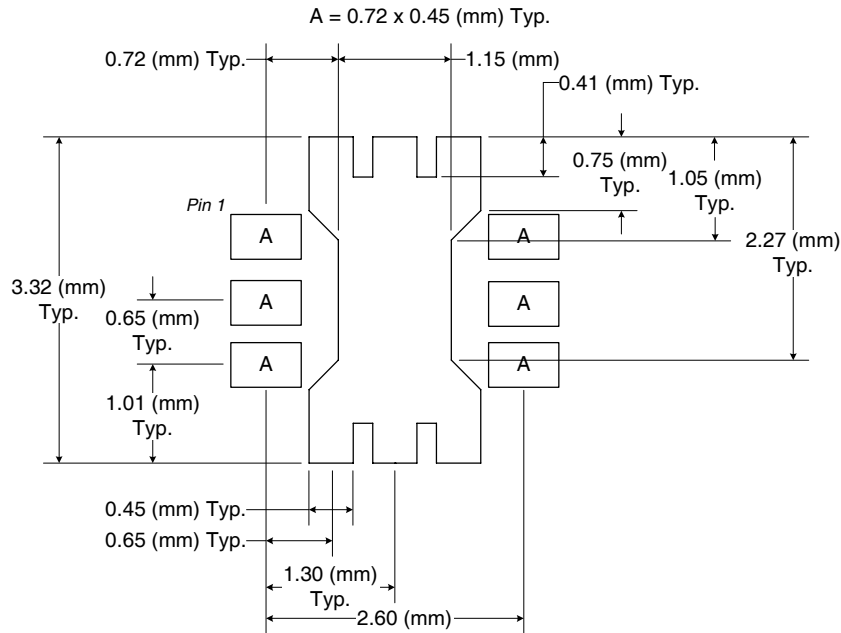


Figure 2. PCB Solder Mask (Top View)

Thermal Pad and Via Design

The PCB metal land pattern has been designed with a thermal pad that matches the exposed die paddle size on the bottom of the device.

Thermal vias are required in the PCB layout to effectively conduct heat away from the package. The via pattern has been designed to address thermal, power dissipation and electrical requirements of the device as well as accommodating routing strategies.

The via pattern used for the RFMD qualification is based on thru-hole vias with 0.203mm to 0.330mm finished hole size on a 0.5mm to 1.2mm grid pattern with 0.025mm plating on via walls. If micro vias are used in a design, it is suggested that the quantity of vias be increased by a 4:1 ratio to achieve similar results.

NOTE: A small amount of ground inductance is required to achieve data sheet performance. The necessary inductance may be generated by ensuring that no ground vias are placed directly below the footprint of the part.

