

阅读申明

- 1.本站收集的数据手册和产品资料都来自互联网，版权归原作者所有。如读者和版权方有任何异议请及时告之，我们将妥善解决。
- 2.本站提供的中文数据手册是英文数据手册的中文翻译，其目的是协助用户阅读，该译文无法自动跟随原稿更新，同时也可能存在翻译上的不当。建议读者以英文原稿为参考以便获得更精准的信息。
- 3.本站提供的产品资料，来自厂商的技术支持或者使用者的心得体会等，其内容可能存在描述上的差异，建议读者做出适当判断。
- 4.如需与我们联系，请发邮件到marketing@iczoom.com，主题请标有“数据手册”字样。

Read Statement

1. The datasheets and other product information on the site are all from network reference or other public materials, and the copyright belongs to the original author and original published source. If readers and copyright owners have any objections, please contact us and we will deal with it in a timely manner.
2. The Chinese datasheets provided on the website is a Chinese translation of the English datasheets. Its purpose is for reader's learning exchange only and do not involve commercial purposes. The translation cannot be automatically updated with the original manuscript, and there may also be improper translations. Readers are advised to use the English manuscript as a reference for more accurate information.
3. All product information provided on the website refer to solutions from manufacturers' technical support or users the contents may have differences in description, and readers are advised to take the original article as the standard.
4. If you have any questions, please contact us at marketing@iczoom.com and mark the subject with "Datasheets" .

WiMAX Antenna

WIRELESS SOLUTIONS

www.lairdtech.com

global solutions: local support..

Americas: +1.847.839.6907
 Europe: +1.32.80.7866.12
 Asia: +1.65.6.243.8022

www.lairdtech.com

- ANTENNAS & RECEPTION
- WIRELESS REMOTE CONTROL
- EMI SOLUTIONS
- THERMAL MANAGEMENT
- WIRELESS M2M & TELEMATICS



IAS-BRO-WIMAX 0411

Any information furnished by Laird Technologies, Inc. and its agents is believed to be accurate and reliable. All specifications are subject to change without notice. Responsibility for the use and application of Laird Technologies materials rests with the end user. Laird Technologies makes no warranties as to the fitness, merchantability, suitability or non-infringement of any Laird Technologies materials or products for any specific or general uses. Laird Technologies shall not be liable for incidental or consequential damages of any kind. All Laird Technologies products are sold pursuant to the Laird Technologies Terms and Conditions of sale in effect from time to time, a copy of which will be furnished upon request. © Copyright 2011 Laird Technologies, Inc. All Rights Reserved. Laird, Laird Technologies, the Laird Technologies Logo, and other marks are trade marks or registered trade marks of Laird Technologies, Inc. or an affiliate company thereof. Other product or service names may be the property of third parties. Nothing herein provides a license under any Laird Technologies or any third party intellectual property rights.



Innovative Technology
for a Connected World

World-Leading Solutions

Laird Technologies' world class engineering teams utilize proprietary, state-of-the-art design tools to create antenna products that maximize total system performance and user satisfaction. Laird Technologies' WiMAX product line features antennas that easily meet the European Telecommunications Standards Institute's (ETSI) most stringent compliance standards while still being competitively priced.

Depend on Laird Technologies

Laird Technologies' WiMAX antennas meet stringent compliance standards and are competitively priced. Its worldwide engineering teams, using proprietary artificial intelligence antenna design software, create antenna designs with the tightest patterns and highest gain in the most compact package. With Laird Technologies' proven expertise in high-capacity manufacturing operations, its WiMAX product line exhibits a good value/performance ratio.

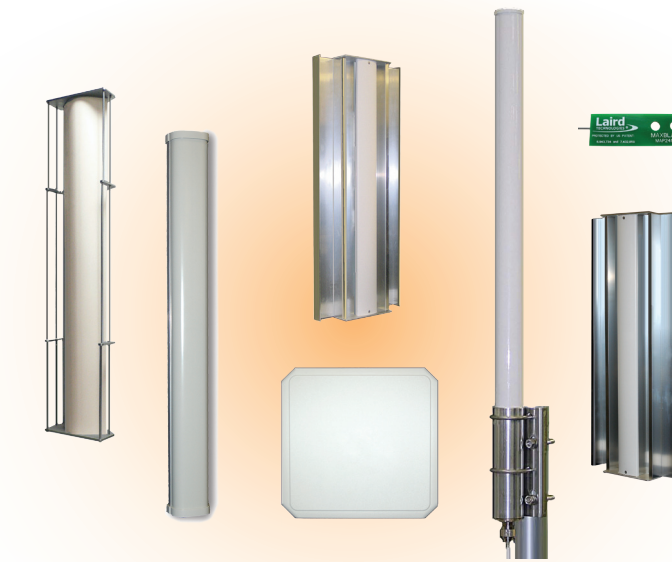
A Brief Introduction to WiMAX

WiMAX is a telecommunications technology aimed at providing wireless data over long distances in a variety of ways, from point-to-point links to full mobile cellular type access. WiMAX operates over greater distances and for a greater number of users and is used in a variety of applications including banking and education networks, public safety, offshore communications and military communications.

Benefits of WiMAX Technology

Some benefits of using Laird Technologies' WiMAX antennas include:

- Maximum spectral efficiency
- Reutilization of channels in the next over-adjacent sector antenna
- Reduced crosstalk
- Reduced interference, improved S/N ratio, improved C/I ratio
- Most uniform energy distribution across the entire coverage area
- Reduced system overhead compensating for nulls and hot spots in the coverage area
- Highest quality of service (QoS) and subscriber satisfaction



WiMAX External ANTENNAS

700 MHz

The Laird Technologies high-performance 700 MHz band external WiMAX antenna provides non-line-of-sight broadband wireless access. It affords service providers with a heavy-duty, easy-to-install sector antenna with low side lobe performance and uniform coverage characteristics.

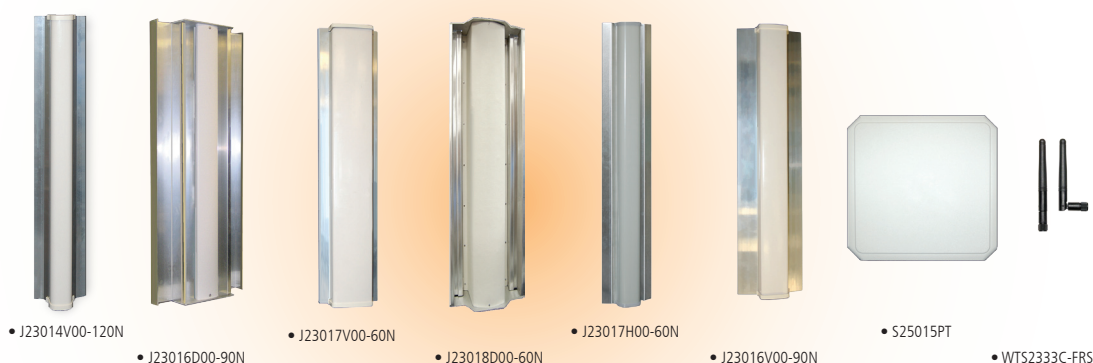
PART NUMBER	FREQUENCY (MHz)	ANTENNA TYPE	PATTERN TYPE	VSWR	GAIN	BEAMWIDTH		POLARIZATION	DIMENSIONS (INCHES)			CONNECTOR TYPES	MOUNT STYLE	INDOOR/OUTDOOR
						EL	AZ		LENGTH	WIDTH	HEIGHT			
J71014V00-70N	710-790	Sector	Directional	1.5	16.0	14	60	Vertical	63	13.2	11.7	Type N(f)	Mast	Outdoor



• J71014V00-70N

2.5 GHz

Laird Technologies' 2.5 GHz external WiMAX antennas offer extremely low-side lobes, null fill below the horizon, and uniform energy distribution with the coverage area are achieved thanks to our highly skilled engineering staff and the utilization of our proprietary Artificial Intelligence RF Optimizing development tool. These antennas meet all aspects of ETSI EN 301.525 CS.



• J23014V00-120N

• J23016D00-90N

• J23017V00-60N

• J23018D00-60N

• J23017H00-60N

• J23016V00-90N

• S25015PT

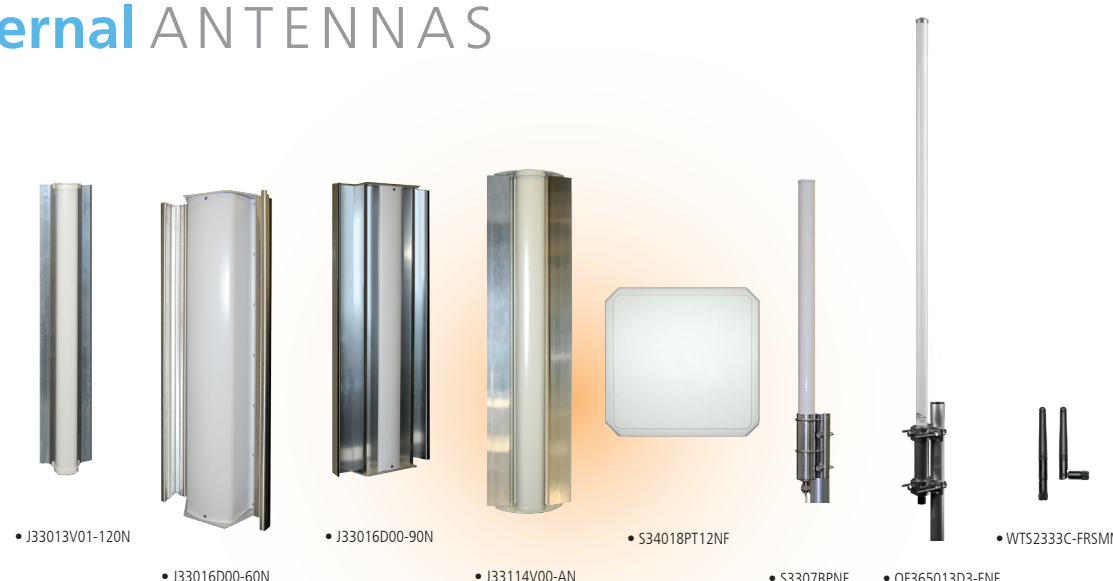
• WTS2333C-FRSMM

PART NUMBER	FREQUENCY (MHz)	ANTENNA TYPE	PATTERN TYPE	VSWR	GAIN	BEAMWIDTH		POLARIZATION	DIMENSIONS (INCHES)			CONNECTOR TYPES	MOUNT STYLE	INDOOR/OUTDOOR
						EL	AZ		LENGTH	WIDTH	HEIGHT			
J23014V00-120N	2300/2500	Sector	Directional	1.8	15.5	7	120	Vertical	39.9	4.3	8	Type N(f)	Mast	Outdoor
J23016D00-90N	2300/2500	Sector	Directional	1.8	16.5	7	90	H/V	39.8	15.7	8.3	Type N(f)	Mast	Outdoor
J23016H00-90N	2300/2500	Sector	Directional	1.8	16.5	7	90	Horizontal	39.9	3.8	8.3	Type N(f)	Mast	Outdoor
J23016S00-90N	2300/2500	Sector	Directional	1.8	16.5	7	90	Dual Slant 45	40	8.2	4.5	Type N(f)	Mast	Outdoor
J23016V00-90N	2300/2500	Sector	Directional	1.8	16.5	7	90	Vertical	39.9	4	8.4	Type N(f)	Mast	Outdoor
J23017H00-60N	2300/2500	Sector	Directional	1.8	18.0	7	60	Horizontal	39.9	3.8	8.3	Type N(f)	Mast	Outdoor
J23017S00-65N	2300/2500	Sector	Directional	1.8	18.0	7	65	Dual Slant 45	40.1	6.3	4	Type N(f)	Mast	Outdoor
J23017V00-60N	2300/2500	Sector	Directional	1.8	18.0	7	60	Vertical	39.9	4	8.4	Type N(f)	Mast	Outdoor
J23018D00-60N	2300/2500	Sector	Directional	1.8	18.5	7	60	H/V	39.9	4	8.4	Type N(f)	Mast	Outdoor
S25015PT	2400-2700	Panel	Directional	2	14,15	25	25	H/V	10.2	1.3	10.2	Type N(m)	Mast	Indoor/Outdoor
WTS2333C-FRSMM	2300-2700	Dipole	Omnidirectional	2	2.3	90	360	Vertical	3.78	0.37	-	Type RPSMA	Rubber Duck	Indoor

WiMAX External ANTENNAS

3.5 GHz

Laird Technologies' suite of high-performance 3.5 GHz WiMAX antennas feature proprietary design elements resulting in extremely high levels of system performance and ruggedness while maintaining very slim profiles with low wind and ice loading.



• J33013V01-120N

• J33016D00-60N

• J33016D00-90N

• J33014V00-AN

• S34018PT12NF

• S3307BPNF

• OF365013D3-FNF

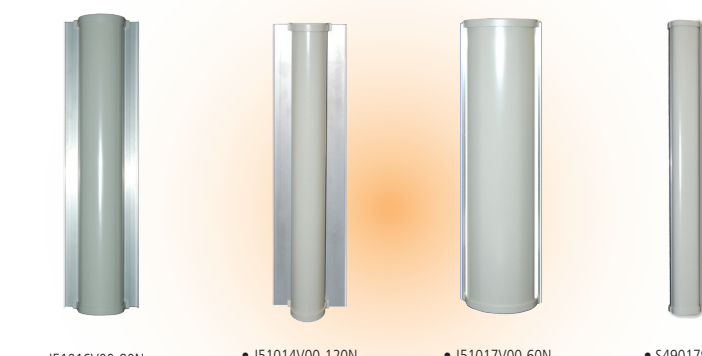
• WTS2333C-FRSMM

PART NUMBER	FREQUENCY (MHz)	ANTENNA TYPE	PATTERN TYPE	VSWR	GAIN	BEAMWIDTH		POLARIZATION	DIMENSIONS (INCHES)			CONNECTOR TYPES	MOUNT STYLE	INDOOR/OUTDOOR
						EL	AZ		LENGTH	WIDTH	HEIGHT			
J33013V01-120N	3300/3500	Sector	Directional	1.8	15.5	7	120	Vertical	30.2	5.7	3.3	Type N(f)	Mast	Outdoor
J33015V01-90N	3300/3500	Sector	Directional	1.8	16.5	7	90	Vertical	30.2	5.9	3.4	Type N(f)	Mast	Outdoor
J33016D00-60N	3300/3500	Sector	Directional	1.8	18.5	7	60	H/V	28.3	6.4	10.8	Type N(f)	Mast	Outdoor
J33016D00-90N	3300/3500	Sector	Directional	1.8	16.5	7	90	H/V	28.2	6.3	11.3	Type N(f)	Mast	Outdoor
J33017S00-65N	3300/3500	Sector	Directional	1.8	17.0	7	65	Dual Slant 45	28.2	4.8	2.7	Type N(f)	Mast	Outdoor
J33017V01-60N	3300/3500	Sector	Directional	1.8	17.5	7	60	Vertical	30.2	5.9	3.4	Type N(f)	Mast	Outdoor
J33114V00-AN	3300-3700	Sector	Directional	1.7	18.5	7	Mechanical Field Adjustable	Vertical	28.2	7.1	3.3	Type N(f)	Mast	Outdoor
J34114V01-120N	3400-3700	Sector	Directional	1.5	15.5	7	120	Vertical	30.2	5.7	3.3	Type N(f)	Mast	Outdoor
J34216V00-120N	3400-3800	Sector	Directional	1.7	17.5	3.5	120	Vertical	52.2	5.7	3.3	Type N(f)	Mast	Outdoor
J34218V00-90N	3400-3800	Sector	Directional	1.7	18.5	3.5	90	Vertical	52.2	5.9	3.4	Type N(f)	Mast	Outdoor
J34220V00-60N	3400-3800	Sector	Directional	1.7	20.0	3.5	60	Vertical	52.2	5.9	3.4	Type N(f)	Mast	Outdoor
S34018PT12NF	3400-3600	Panel	Directional	1.5	18.0	19	20	H/V	259.1	33.5	259.1	Type N(m)	Mast	Indoor/Outdoor
S3307BPNF	3300/3500	Collinear (Stick)	Omnidirectional	2	9.0	8	Omnidirectional	Vertical	28.2	-	1.7	Type N(f)	Mast	Outdoor
OF365013D3-FNF	3650-3700	Collinear (Stick)	Omnidirectional	1.8	13.0	4.8	Omnidirectional	Vertical	43.1	-	1.3	Type N(f)	Mast	Outdoor
WTS2333C-FRSMM	3300-3900	Dipole	Omnidirectional	2	2.7	90	360	Vertical	3.78	0.37	-	Type RPSMA	Rubber Duck	Indoor

WiMAX External ANTENNAS

5 GHz

Laird Technologies offers WiMAX antennas that cover the 5 GHz frequency band. They are designed to provide wide angle directional coverage from a wall or mast mounting location. Applications include any 802.11a enterprise access point system deployment including educational or industrial campuses, healthcare, and transportation terminals.



• J51016V00-90N

• J51014V00-120N

• J51017V00-60N

• S4901790PNF

PART NUMBER	FREQUENCY (MHz)	ANTENNA TYPE	PATTERN TYPE	VSWR	GAIN	BEAMWIDTH		POLARIZATION	DIMENSIONS (INCHES)			CONNECTOR TYPES	MOUNT STYLE	INDOOR/OUTDOOR
						EL	AZ		LENGTH	WIDTH	HEIGHT			
J51014V00-120N	4900-5900	Sector	Directional	1.7	15.0	7	120	Vertical	18.2	4.7	2.9	Type N(f)	Mast	Outdoor
J51016V00-90N	4900-5900	Sector	Directional	1.7	16.0	7	90	Vertical	18.2	4.7	3.1	Type N(f)	Mast	Outdoor
J51017V00-60N	4900-5900	Sector	Directional	1.7	17.5	7	60	Vertical	18.2	4.7	2.8	Type N(f)	Mast	Outdoor
S49016120PNF	4900-5850	Sector	Directional	2	15.5	5.5	15	Vertical	24.6	2	2.7	Type N(f)	Mast	Outdoor
S4901790PNF	4900-5850	Sector	Directional	2	16.5	5.5	7	Vertical	24.6	2	2.7	Type N(f)	Mast	Outdoor

WiMAX Internal ANTENNAS

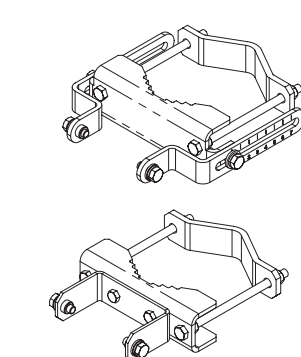
Laird Technologies' internal wireless device antennas feature wide bandwidth to enhance the performance and application of portable wireless devices based on standards such as 802.11 and Bluetooth. The antennas are specifically designed to be embedded inside devices for aesthetically pleasing integration with high durability.



PART NUMBER	FREQUENCY (MHz)	ANTENNA TYPE	PATTERN TYPE	VSWR	GAIN	POLARIZATION	DIMENSIONS (INCHES)		CONNECTOR TYPES	MOUNT STYLE	INDOOR/OUTDOOR
							LENGTH	WIDTH			
EMX2360A1-10UFL	2300-6000	Embedded	Omnidirectional	2	4 dBi (2.3-2.7 GHz), 2.1 dBi (3.3 GHz) and 4 dBi (4.9-5.875 GHz)	Vertical	2	0.65	IPEX MHF	Surface Mount	Indoor
EMX2360A1-15UFL	2300-6000	Embedded	Omnidirectional	2		Vertical	2	0.65	IPEX MHF	Surface Mount	Indoor
EMX2360A1-20UFL	2300-6000	Embedded	Omnidirectional	2		Vertical	2	0.65	IPEX MHF	Surface Mount	Indoor
EMX2360A1-25UFL	2300-6000	Embedded	Omnidirectional	2		Vertical	2	0.65	IPEX MHF	Surface Mount	Indoor

Accessories

Laird Technologies supplies accessories that are the perfect complement to its antenna systems. Cable assemblies, surge suppressors, lightning arrestors, POE inserters and splitters, wall and roof-top antenna mounts, connector adapters and die-cast aluminum enclosures are available.



PART NUMBER	DESCRIPTION
JBXRK-01-TM5	Bracket for J Series WiMAX Sector Antenna



www.lairdtech.com

www.lairdtech.com

www.lairdtech.com

Innovative Technology for a Connected World