

阅读申明

- 1.本站收集的数据手册和产品资料都来自互联网，版权归原作者所有。如读者和版权方有任何异议请及时告之，我们将妥善解决。
- 2.本站提供的中文数据手册是英文数据手册的中文翻译，其目的是协助用户阅读，该译文无法自动跟随原稿更新，同时也可能存在翻译上的不当。建议读者以英文原稿为参考以便获得更精准的信息。
- 3.本站提供的产品资料，来自厂商的技术支持或者使用者的心得体会等，其内容可能存在描述上的差异，建议读者做出适当判断。
- 4.如需与我们联系，请发邮件到marketing@iczoom.com，主题请标有“数据手册”字样。

Read Statement

1. The datasheets and other product information on the site are all from network reference or other public materials, and the copyright belongs to the original author and original published source. If readers and copyright owners have any objections, please contact us and we will deal with it in a timely manner.
2. The Chinese datasheets provided on the website is a Chinese translation of the English datasheets. Its purpose is for reader's learning exchange only and do not involve commercial purposes. The translation cannot be automatically updated with the original manuscript, and there may also be improper translations. Readers are advised to use the English manuscript as a reference for more accurate information.
3. All product information provided on the website refer to solutions from manufacturers' technical support or users the contents may have differences in description, and readers are advised to take the original article as the standard.
4. If you have any questions, please contact us at marketing@iczoom.com and mark the subject with "Datasheets" .



3.3-3.8 GHZ WIRELESS BASE STATION SECTOR ANTENNA

Laird Technologies' J340 wireless access hub antennas provide high-gain performance in the 3.4 to 3.6 GHz band. These antennas come in a choice of 30°, 45°, 60°, and 90° beamwidths and are designed using a highly automated process that takes advantage of advanced EM analysis and artificial intelligence to insure that the highest level of performance is achieved for a given package size. These antennas represent the state-of-the-art in antenna design offering levels of efficiency and pattern that are not achievable by any other means. Shaped vertical patterns (cosecant²) eliminate nulls and provide uniform coverage as a function of range. Down tilt is achieved mechanically, while null-fill is a function of the electrical design. Shaped azimuth patterns insure uniform sector coverage, reducing spillover into adjacent cells and low front-to-back ratio. Cross polar rejection exceeds 20 dB.

FEATURES

- Rugged carrier class antenna
- Designed to accommodate any broadband wireless access system or base station application
- Provides system operators with real world system enhancements through interference rejection and frequency re-utilization

MODEL	GAIN	POLARIZATION	AZIMUTH
J34021H50-30N	21 dBi	Horizontal	30°
J34021V50-30N	21 dBi	Vertical	30°
J34019H50-45N	19.5 dBi	Horizontal	45°
J34019V50-45N	19.5 dBi	Vertical	45°
J34018H50-60N	18 dBi	Horizontal	60°
J34018V50-60N	18 dBi	Vertical	60°
J34016H50-90N	16 dBi	Horizontal	90°
J34016V50-90N	16 dBi	Vertical	90°

PARAMETER	SPECIFICATIONS*
Frequency	3.4 - 3.6 GHz
Gain flatness	±0.5
Weight (antenna only) lb. (kg)	27 (12.3)
VSWR	1.5:1
Mounting Style	Mast
Dimensions	36" x 19" x 12"
Windload (operational)	300lbs @ 110mph
Enclosure	Aluminum
Power	450 watts
RF connector	N (female)

*Typical performance for 90 degree horizontal

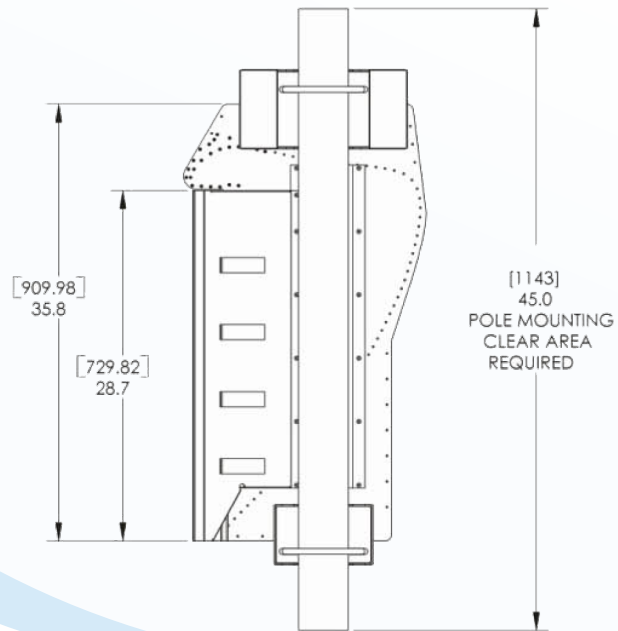
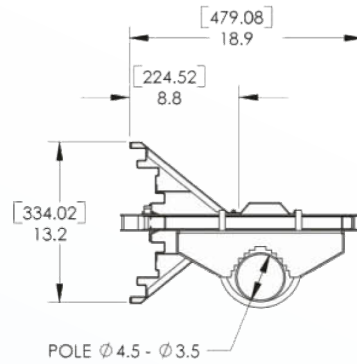
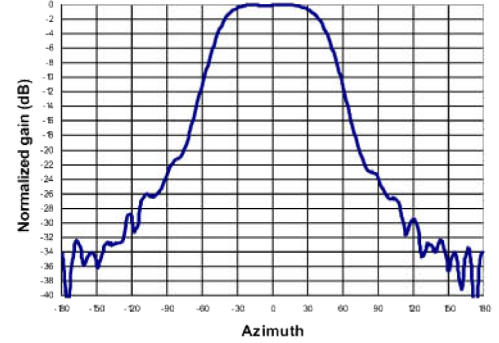
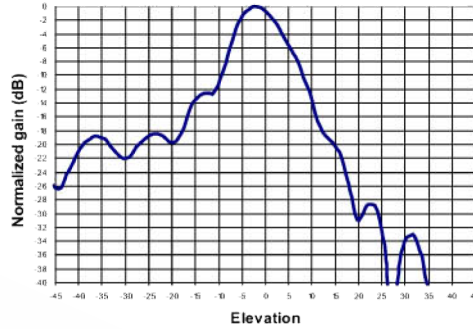
global solutions: local support™

Americas: +1.847.839.6907
IAS-AmericasEastSales@lairdtech.com

Europe: +1.32.80.7866.12
IAS-EUSales@lairdtech.com

Asia: +1.65.6.243.8022
IAS-AsiaSales@lairdtech.com

www.lairdtech.com



ANT-DS-J340 0609

Any information furnished by Laird Technologies, Inc. and its agents is believed to be accurate and reliable. Responsibility for the use and application of Laird Technologies materials rests with the end user, since Laird Technologies and its agents cannot be aware of all potential uses. Laird Technologies makes no warranties as to the fitness, merchantability or suitability of any Laird Technologies materials or products for any specific or general uses. Laird Technologies shall not be liable for incidental or consequential damages of any kind. All Laird Technologies products are sold pursuant to the Laird Technologies' Terms and Conditions of sale in effect from time to time, a copy of which will be furnished upon request. © Copyright 2009 Laird Technologies, Inc. All Rights Reserved. Laird, Laird Technologies, the Laird Technologies Logo, and other marks are trade marks or registered trade marks of Laird Technologies, Inc. or an affiliate company thereof. Other product or service names may be the property of third parties. Nothing herein provides a license under any Laird Technologies or any third party intellectual property rights.