

## 阅读申明

- 1.本站收集的数据手册和产品资料都来自互联网，版权归原作者所有。如读者和版权方有任何异议请及时告之，我们将妥善解决。
- 2.本站提供的中文数据手册是英文数据手册的中文翻译，其目的是协助用户阅读，该译文无法自动跟随原稿更新，同时也可能存在翻译上的不当。建议读者以英文原稿为参考以便获得更精准的信息。
- 3.本站提供的产品资料，来自厂商的技术支持或者使用者的心得体会等，其内容可能存在描述上的差异，建议读者做出适当判断。
- 4.如需与我们联系，请发邮件到marketing@iczoom.com，主题请标有“数据手册”字样。

## Read Statement

1. The datasheets and other product information on the site are all from network reference or other public materials, and the copyright belongs to the original author and original published source. If readers and copyright owners have any objections, please contact us and we will deal with it in a timely manner.
2. The Chinese datasheets provided on the website is a Chinese translation of the English datasheets. Its purpose is for reader's learning exchange only and do not involve commercial purposes. The translation cannot be automatically updated with the original manuscript, and there may also be improper translations. Readers are advised to use the English manuscript as a reference for more accurate information.
3. All product information provided on the website refer to solutions from manufacturers' technical support or users the contents may have differences in description, and readers are advised to take the original article as the standard.
4. If you have any questions, please contact us at marketing@iczoom.com and mark the subject with "Datasheets" .

---

## Features

- Supply Voltage 5V
- Very Low Power Consumption 125 mW
- Very Good Image Rejection By Means of Phase Control Loop for Precise 90° Phase Shifting
- Duty-cycle Regeneration for Single-ended LO Input Signal
- Low LO Input Level -10 dBm
- LO Frequency from 70 MHz to 1 GHz
- Power-down Mode
- 25 dB Gain Control
- Very Low I/Q Output DC Offset Voltage Typically < 5 mV

## Benefits

- Low Current Consumption
- Easy to Implement
- Perfect Performance for Large Variety of Wireless Applications

Electrostatic sensitive device.

Observe precautions for handling.



## 1. Description

The silicon monolithic integrated circuit U2794B is a quadrature demodulator manufactured using Atmel's advanced UHF technology. This demodulator features a frequency range from 70 MHz to 1000 MHz, low current consumption, selectable gain, power-down mode and adjustment-free handling. The IC is suitable for direct conversion and image rejection applications in digital radio systems up to 1 GHz such as cellular radios, cordless telephones, cable TV and satellite TV systems.



---

# 1000-MHz Quadrature Demodulator

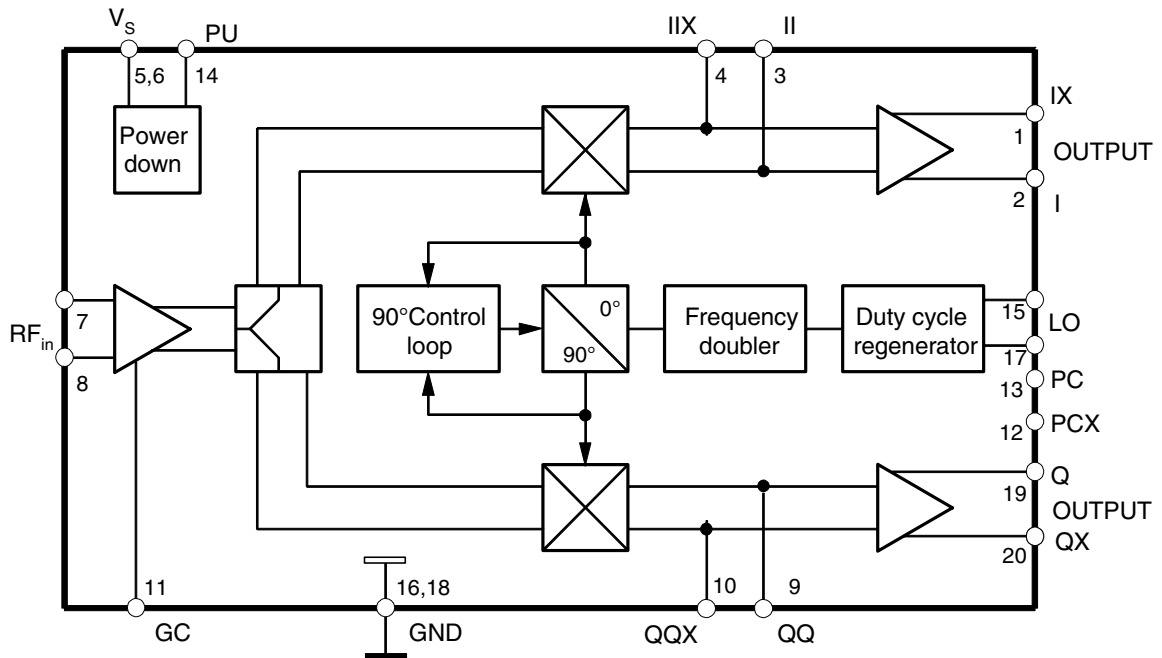
---

## U2794B

Rev. 4653D-CELL-11/05

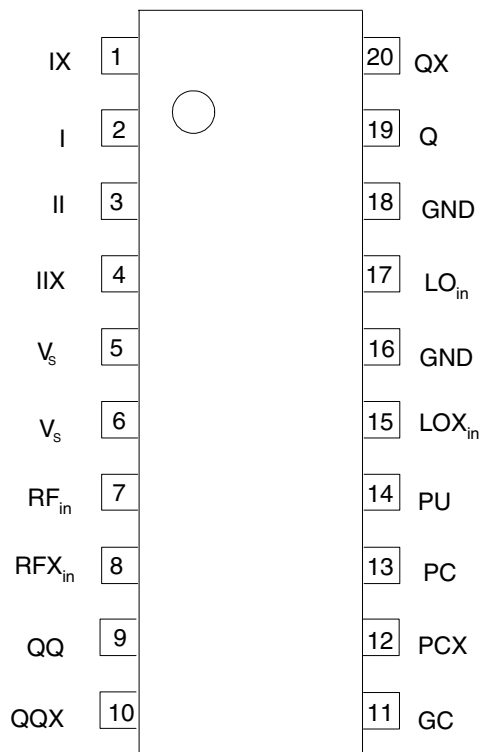


Figure 1-1. Block Diagram



## 2. Pin Configuration

Figure 2-1. Pinning SSO20



**Table 2-1.** Pin Description

Pin	Symbol	Function
1	IX	IX output
2	I	I output
3	II	II lowpass filter I
4	IIX	IIX lowpass filter I
5	V <sub>S</sub>	Supply voltage
6	V <sub>S</sub>	Supply voltage
7	RF <sub>in</sub>	RF input
8	RFX <sub>in</sub>	RFX input
9	QQ	QQ lowpass filter Q
10	QQX	QQX lowpass filter Q
11	GC	GC gain control
12	PCX	PCX phase control
13	PC	PC phase control
14	PU	PU power up
15	LOX <sub>in</sub>	LOX input
16	GND	Ground
17	LO <sub>in</sub>	LO input
18	GND	Ground
19	Q	Q output
20	QX	QX output

### 3. Absolute Maximum Ratings

Stresses beyond those listed under “Absolute Maximum Ratings” may cause permanent damage to the device. This is a stress rating only and functional operation of the device at these or any other conditions beyond those indicated in the operational sections of this specification is not implied. Exposure to absolute maximum rating conditions for extended periods may affect device reliability.

Parameters	Symbol	Value	Unit
Supply voltage	$V_S$	6	V
Input voltage	$V_i$	0 to $V_S$	V
Junction temperature	$T_j$	+125	°C
Storage-temperature range	$T_{stg}$	-40 to +125	°C

### 4. Thermal Resistance

Parameters	Symbol	Value	Unit
Junction ambient SSO20	$R_{thJA}$	140	K/W

### 5. Operating Range

Parameters	Symbol	Value	Unit
Supply-voltage range	$V_S$	4.75 to 5.25	V
Ambient-temperature range	$T_{amb}$	-40 to +85	°C

## 6. Electrical Characteristics

Test conditions (unless otherwise specified);  $V_S = 5V$ ,  $T_{amb} = 25^\circ C$ , referred to test circuit  
 System impedance  $Z_O = 50\Omega$ ,  $f_{iLO} = 950\text{ MHz}$ ,  $P_{iLO} = -10\text{ dBm}$

No.	Parameters	Test Conditions	Pin	Symbol	Min.	Typ.	Max.	Unit	Type*
1.1	Supply-voltage range		5, 6	$V_S$	4.75		5.25	V	A
1.2	Supply current		5, 6	$I_S$	22	30	35	mA	A
<b>2</b>	<b>Power-down Mode</b>								
2.1	“OFF” mode supply current	$V_{PU} \leq 0.5V$ $V_{PU} = 1.0\text{ V}^{(1)}$	14, 5 6	$I_{SPU}$		$\leq 1$ 20		$\mu A$ $\mu A$	B D
<b>3</b>	<b>Switch Voltage</b>								
3.1	“Power ON”		14	$V_{PON}$	4			V	D
3.2	“Power DOWN”		14	$V_{POFF}$			1	V	D
<b>4</b>	<b>LO Input, <math>LO_{in}</math></b>								
4.1	Frequency range		17	$f_{iLO}$	70		1000	MHz	D
4.2	Input level	<sup>(2)</sup>	17	$P_{iLO}$	-12	-10	-5	dBm	D
4.3	Input impedance	See <a href="#">Figure 6-10</a>	17	$Z_{iLO}$		50		$\Omega$	D
4.4	Voltage standing wave ratio	See <a href="#">Figure 6-3</a>	17	$VSWR_{LO}$		1.2	2		D
4.5	Duty-cycle range		17	$DCR_{LO}$	0.4		0.6		D
<b>5</b>	<b>RF Input, <math>RF_{in}</math></b>								
5.1	Noise figure (DSB) symmetrical output	at 950 MHz <sup>(3)</sup> at 100 MHz	7, 8	NF		12 10		dB	D
5.2	Frequency range	$f_{iRF} = f_{iLO} \pm BW_{YQ}$	7, 8	$f_{iRF}$	40		1030	MHz	D
5.3	-1 dB input compression point	High gain Low gain	7, 8	$P_{1dBHG}$ $P_{1dBLG}$		-8 +3.5		dBm	D
5.4	Second order IIP	<sup>(4)</sup>	7, 8	$IIP_{2HG}$		35		dBm	D
5.5	Third order IIP	High gain Low gain	7, 8	$IIP_{3HG}$ $IIP_{3LG}$		+3 +13		dBm	D
5.6	LO leakage	Symmetric input Asymmetric input	7, 8	$L_{OL}$		$\leq -60$ $\leq -55$		dBm	D
5.7	Input impedance	see <a href="#">Figure 6-10</a>	7, 8	$Z_{iRF}$		500  0.8		$\Omega$  pF	D

\*) Type means: A = 100% tested, B = 100% correlation tested, C = Characterized on samples, D = Design parameter

- Notes:
1. During power-down status a load circuitry with DC-isolation to GND is assumed, otherwise a current of  $I \approx (V_S - 0.8V)/R_I$  has to be added to the above power-down current for each output I, IX, Q, QX.
  2. The required LO-Level is a function of the LO frequency (see [Figure 6-6](#)).
  3. Measured with input matching. For 950 MHz, the optional transmission line T3 at the RF input may be used for this purpose. Noise figure measurements without using the differential output signal result in a worse noise figure.
  4. Using pins 7 and 8 as a symmetric RF input, the second-order IIP can be improved.
  5. Due to test board parasitics, this bandwidth may be reduced and not be equal for I, IX, Q, QX. If symmetry and full bandwidth is required, the lowpass pins 3, 4 and 9, 10 should be isolated from the board. the bandwidth of the I/Q outputs can be increased further by using a resistor between pins 3, 4, 9 and 10. These resistors shunt the internal loads of  $R_I \sim 5.4\text{ k}\Omega$ . The decrease in gain here has to be considered.
  6. The internal current of the output emitter followers is 0.6 mA. This reduces the undistorted output voltage swing at a  $50\Omega$  load to approximately 30 mV. For low signal distortion the load impedance should be  $R_I \geq 5\text{ k}\Omega$ .
  7. Referred to the level of the output vector  $\sqrt{I^2 + Q^2}$
  8. The low-gain status is achieved with an open or high-ohmic pin 11. A recommended application circuit for switching between high and low gain status is shown in [Figure 6-1](#).

## 6. Electrical Characteristics (Continued)

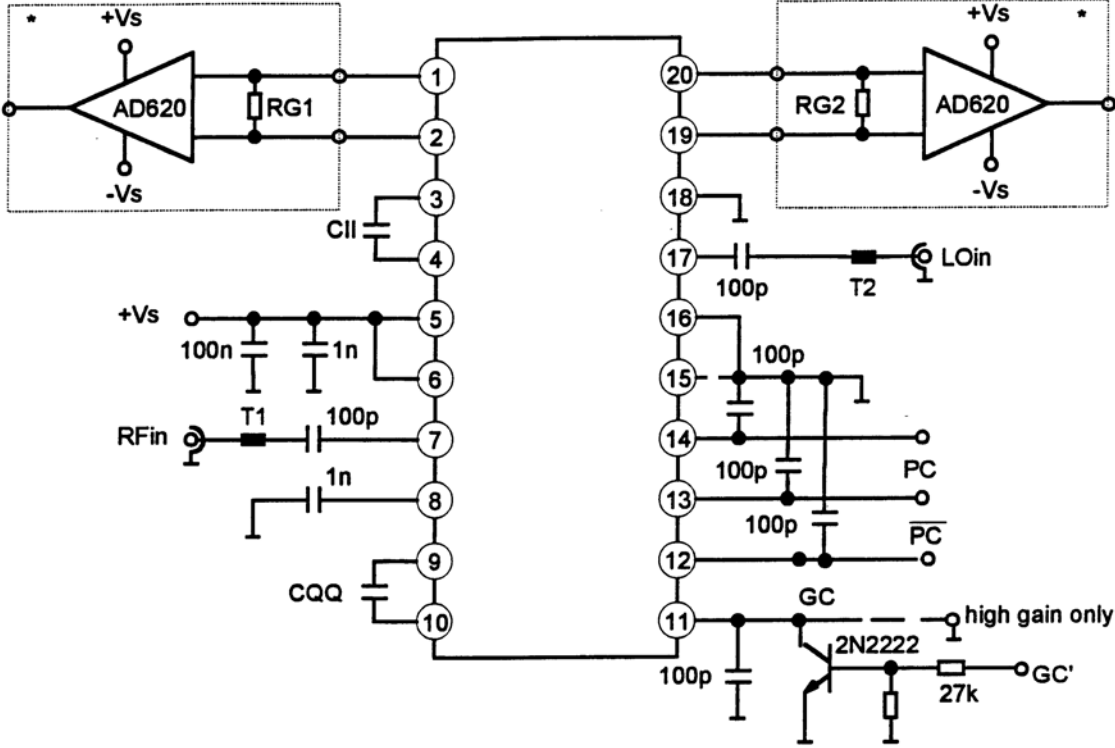
Test conditions (unless otherwise specified);  $V_S = 5V$ ,  $T_{amb} = 25^\circ C$ , referred to test circuit  
System impedance  $Z_O = 50\Omega$ ,  $f_{iLO} = 950\text{ MHz}$ ,  $P_{iLO} = -10\text{ dBm}$

No.	Parameters	Test Conditions	Pin	Symbol	Min.	Typ.	Max.	Unit	Type*
<b>6</b>	<b>I/Q Outputs (I, IX, Q, QX) Emitter Follower I = 0.6 mA</b>								
6.1	3-dB bandwidth w/o external C		1, 2, 19, 20	BW/I/Q	$\geq 30$			MHz	D
6.2	I/Q amplitude error		1, 2, 19, 20	Ae	-0.5	$\leq \pm 0.2$	+0.5	dB	B
6.3	I/Q phase error		1, 2, 19, 20	Pe	-3	$\leq \pm 1.5$	+3	Deg	B
6.4	I/Q maximum output swing	Symm. output $R_L > 5\text{ k}\Omega$	1, 2, 19, 20	$V_{PP}$			2		D
6.5	DC output voltage		1, 2, 19, 20	$V_{OUT}$	2.5	2.8	3.1	V	A
6.6	DC output offset voltage	(6)	1, 2, 19, 20	$V_{offset}$		< 5		mV	Test spec.
6.7	Output impedance	see <a href="#">Figure 6-10</a>	1, 2, 19, 20	$Z_{out}$		50		$\Omega$	D
<b>7</b>	<b>Gain Control, GC</b>								
7.1	Control range power Gain high Gain low	(7)	11	GCR $G_H$ $G_L$		25 23 -2		dB dBm dBm	D B D
7.2	<b>Switch Voltage</b>								
7.3	"Gain high"		11				1	V	
7.4	"Gain low"	(8)	11 < open						
7.5	<b>Settling Time, ST</b>								
7.6	Power "OFF" - "ON"			$T_{SON}$		< 4		$\mu s$	D
7.7	Power "ON" - "OFF"			$T_{SOFF}$		< 4		$\mu s$	D

\*) Type means: A = 100% tested, B = 100% correlation tested, C = Characterized on samples, D = Design parameter

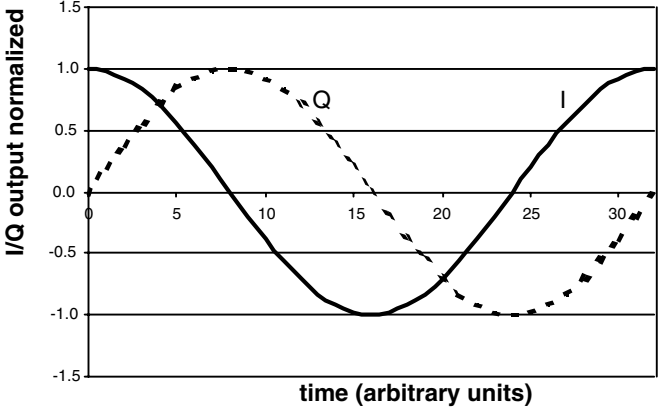
- Notes:
1. During power-down status a load circuitry with DC-isolation to GND is assumed, otherwise a current of  $I \approx (V_S - 0.8V)/R_I$  has to be added to the above power-down current for each output I, IX, Q, QX.
  2. The required LO-Level is a function of the LO frequency (see [Figure 6-6](#)).
  3. Measured with input matching. For 950 MHz, the optional transmission line T3 at the RF input may be used for this purpose. Noise figure measurements without using the differential output signal result in a worse noise figure.
  4. Using pins 7 and 8 as a symmetric RF input, the second-order IIP can be improved.
  5. Due to test board parasitics, this bandwidth may be reduced and not be equal for I, IX, Q, QX. If symmetry and full bandwidth is required, the lowpass pins 3, 4 and 9, 10 should be isolated from the board. the bandwidth of the I/Q outputs can be increased further by using a resistor between pins 3, 4, 9 and 10. These resistors shunt the internal loads of  $R_I \sim 5.4\text{ k}\Omega$ . The decrease in gain here has to be considered.
  6. The internal current of the output emitter followers is 0.6 mA. This reduces the undistorted output voltage swing at a  $50\Omega$  load to approximately 30 mV. For low signal distortion the load impedance should be  $R_I \geq 5\text{ k}\Omega$ .
  7. Referred to the level of the output vector  $\sqrt{I^2 + Q^2}$
  8. The low-gain status is achieved with an open or high-ohmic pin 11. A recommended application circuit for switching between high and low gain status is shown in [Figure 6-1](#).

Figure 6-1. Test Circuit



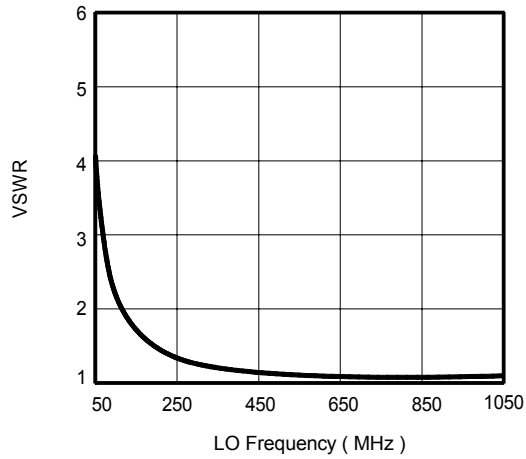
\* optional for single-ended tests (notice 3 dB bandwidth of AD620)  
 T1, T2 = transmission line  $Z_O = 50\Omega$   
 If no GC function is required, connect Pin 11 to GND.  
 For high and low gain status GC' is to be switched to GND respectively to  $V_S$ .

Figure 6-2. I and Q phase for  $f_{RF} > f_{LO}$ . For  $f_{RF} < f_{LO}$  the phase is inverted.

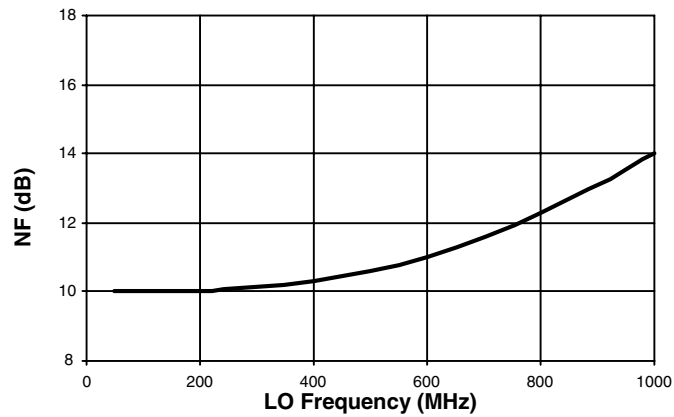




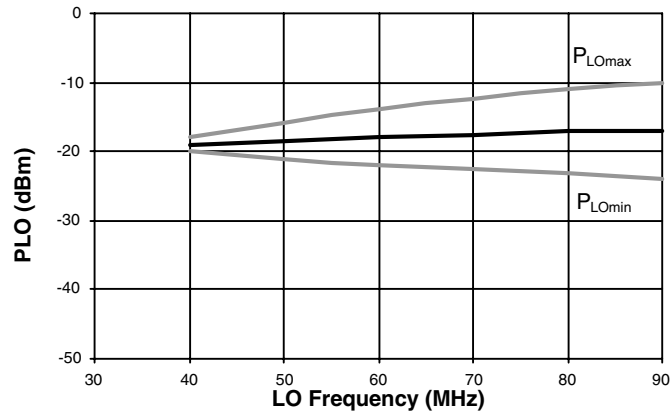
**Figure 6-3.** Typical VSWR Frequency Response of the LO Input



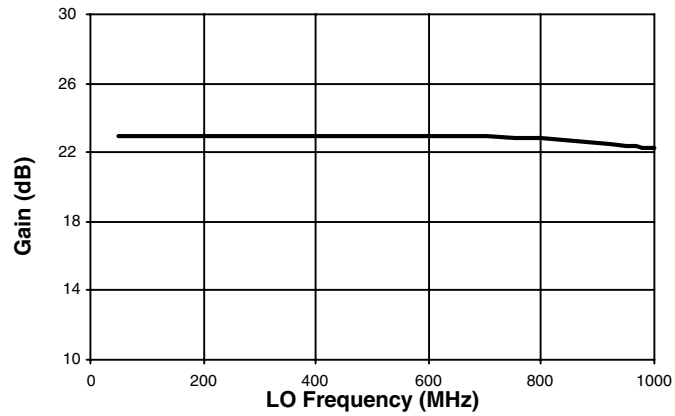
**Figure 6-4.** Noise Figure versus LO Frequency; o: Value at 950 MHz with RF Input Matching with T3



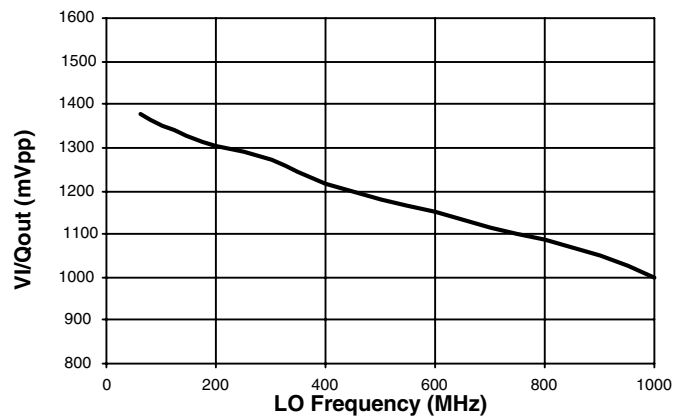
**Figure 6-5.** Typical Suitable LO Power Range versus Frequency



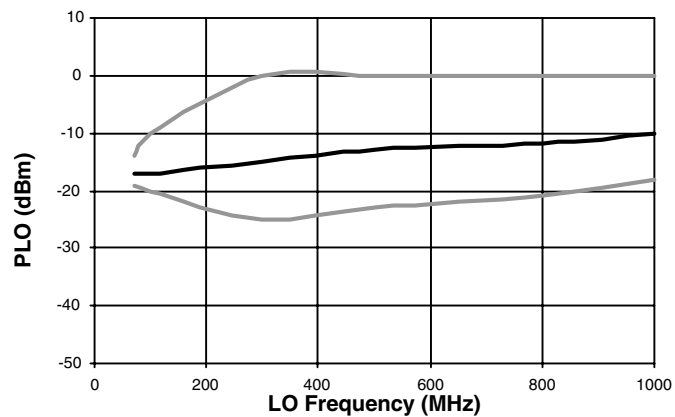
**Figure 6-6.** Gain versus LO Frequency; x: Value at 950 MHz with RF Input Matching with T3



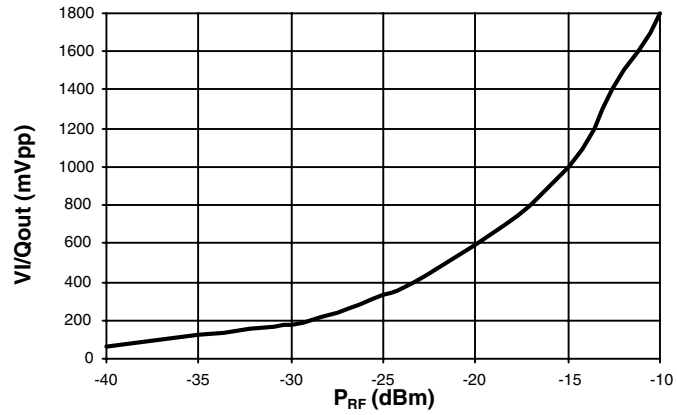
**Figure 6-7.** Typical Output Signal versus LO Frequency for  $P_{RF} = -15$  dBm and  $P_{LO} = -15$  dBm



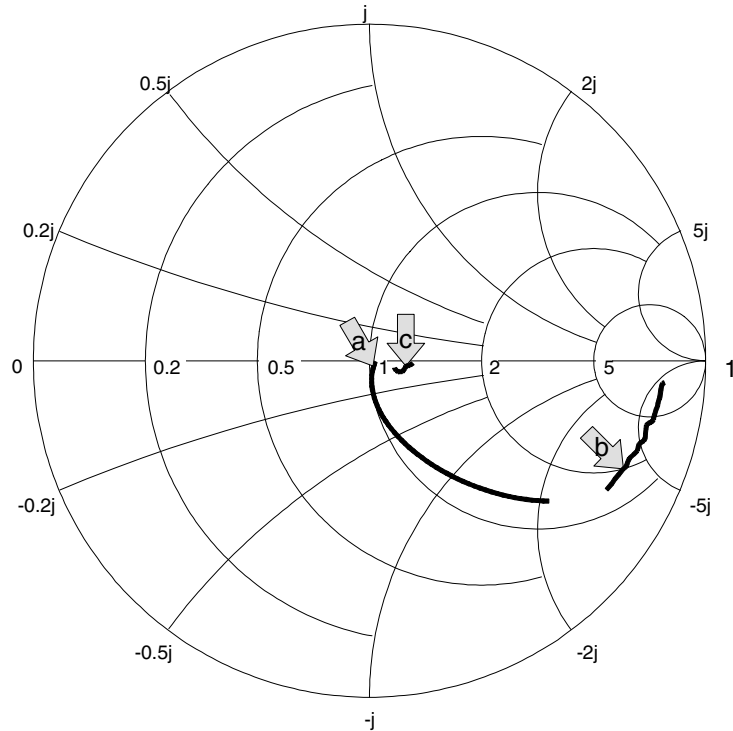
**Figure 6-8.** Typical Suitable LO Power Range versus Frequency



**Figure 6-9.** Typical Output Voltage (single ended) versus  $P_{RF}$  at  $T_{amb} = 25^{\circ}\text{C}$  and  $\text{PLO} = -15 \text{ dBm}$



**Figure 6-10.** Typical S11 Frequency Response



- a: LO input, LO frequency from 100 MHz to 1100 MHz, marker: 950 MHz
- b: RF input, RF frequency from 100 MHz to 1100 MHz, marker: 950 MHz
- c: I/Q Outputs, Baseband Frequency from 5 MHz to 55 MHz, marker: 25 MHz

Figure 6-11. Evaluation Board Layout

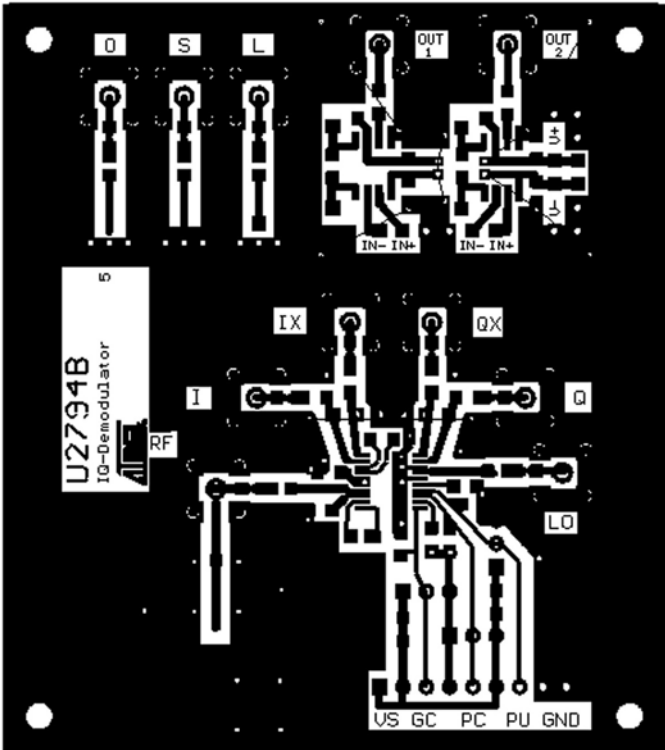
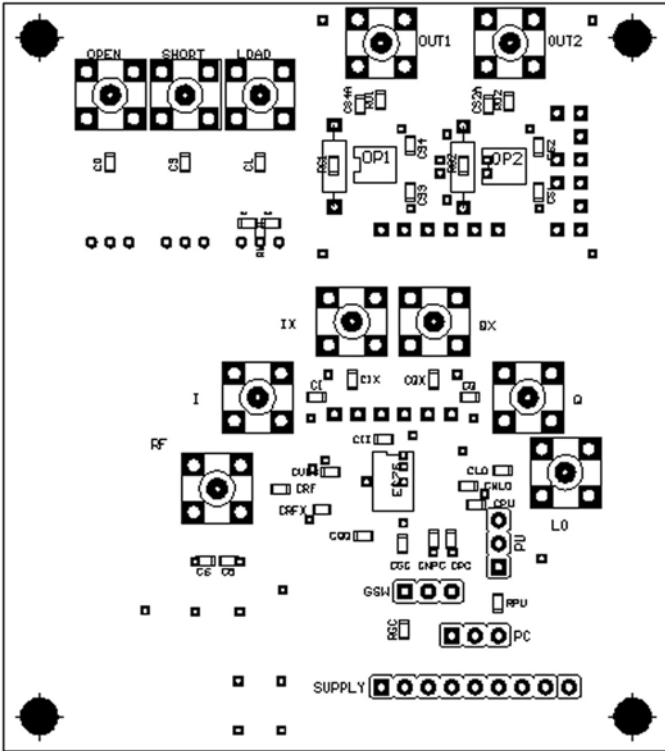


Figure 6-12. Evaluation Board



## 6.1 External Components

CUCC	100 nF	
CRFX	1 nF	
CLO	100 pF	
CNLO	1 nF	
CRF	100 pF	
CII, CQQ		optional external lowpass filters
T3		transmission line for RF-input matching, to connect optionally
CI, CIX		optional for AC-coupling at
CQ, CQX		baseband outputs
CPDN	100 pF	not connected
CGC	100 pF	
CPC	100 pF	not connected
CNPC	100 pF	not connected
GSW		gain switch

## 6.2 Calibration Part

CO, CS, CL	100 pF
RL	50Ω

## 6.3 Conversion to Single Ended Output

(see datasheet of AD620)

OP1, OP2		AD620
RG1, RG2		prog. gain, see datasheet, for 5.6 kΩ a gain of 1 at 50Ω is achieved together with RD1 and RD2.
RD1, RD2	450Ω	
CS1, CS2	100 nF	
CS3, CS4	100 nF	

## 7. Description of the Evaluation Board

Board material: epoxy;  $\epsilon_r = 4.8$ , thickness = 0.5 mm, transmission lines:  $Z_0 = 50\Omega$

The board offers the following functions:

- Test circuit for the U2794B:
  - The supply voltage and the control inputs GC, PC and PU are connected via a plug strip. The control input voltages can be generated via external potentiometers; then the inputs should be AC-grounded (time requirements in burst mode for power up have to be considered).
  - The outputs I, IX, Q, QX are DC coupled via an plug strip or can be AC-connected via SMB plugs for high frequency tests e.g. noise figure or s-parameter measurement. The Pins II, IIX, QQ, QQX allow user-definable filtering with 2 external capacitors CII, CQQ.
  - The offsets of both channels can be adjusted with two potentiometers or resistors.
  - The LO- and the RF-inputs are AC-coupled and connected via SMB plugs. If transmission line T3 is connected to the RF-input and AC-grounded at the other end, gain and noise performance can be improved (input matching to  $50\Omega$ ).
  - The complementary RF-input is AC-coupled to GND (CRFX = 1 nF), the same appears to the complementary LO input (CNLO = 1 nF).
- A calibration part which allows to calibrate an s-parameter analyzer directly to the in- and output- signal ports of the U2794B.
- For single-ended measurements at the demodulator outputs, two OPs (e.g., AD620 or other) can be configured with programmable gain; together with an output-divider network  $R_D = 450\Omega$  to  $R_L = 50\Omega$ , direct measurements with  $50\Omega$  load impedances are possible at frequencies  $f < 100$  kHz.

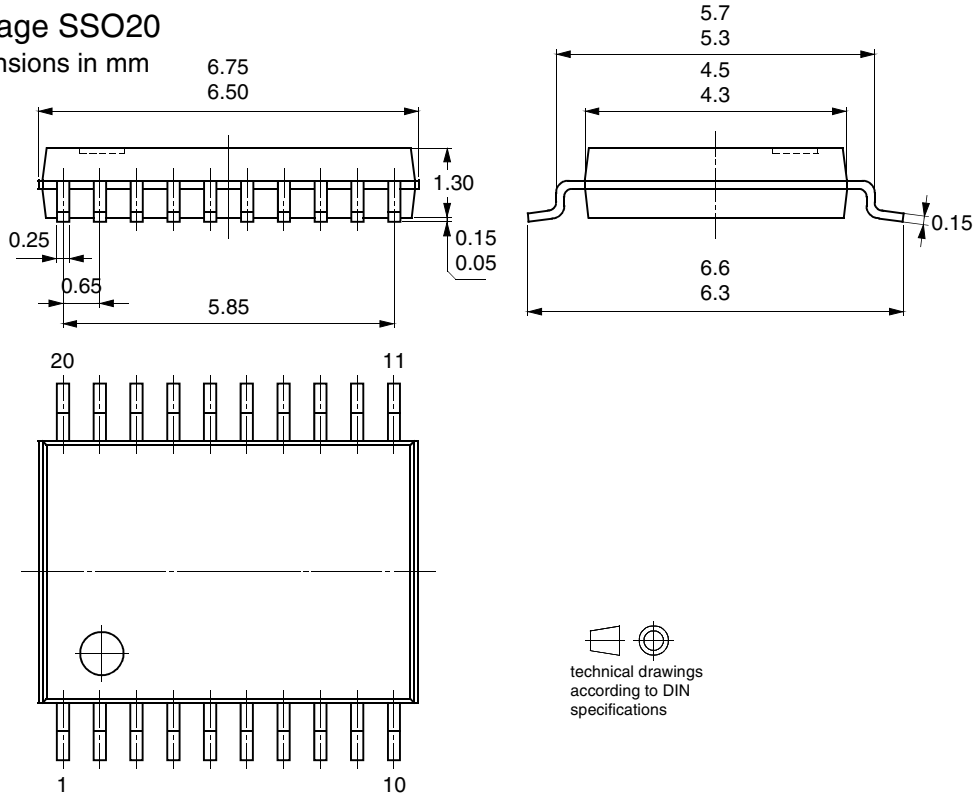
## 8. Ordering Information

Extended Type Number	Package	Remarks
U2794B-NFSH	SSO20	Tube, MOQ 830 pcs, Pb-free
U2794B-NFSG3H	SSO20	Taped and reeled, MOQ 4000 pcs, Pb-free

## 9. Package Information

### Package SSO20

Dimensions in mm





## Atmel Corporation

2325 Orchard Parkway  
San Jose, CA 95131, USA  
Tel: 1(408) 441-0311  
Fax: 1(408) 487-2600

## Regional Headquarters

### Europe

Atmel Sarl  
Route des Arsenaux 41  
Case Postale 80  
CH-1705 Fribourg  
Switzerland  
Tel: (41) 26-426-5555  
Fax: (41) 26-426-5500

### Asia

Room 1219  
Chinachem Golden Plaza  
77 Mody Road Tsimshatsui  
East Kowloon  
Hong Kong  
Tel: (852) 2721-9778  
Fax: (852) 2722-1369

### Japan

9F, Tonetsu Shinkawa Bldg.  
1-24-8 Shinkawa  
Chuo-ku, Tokyo 104-0033  
Japan  
Tel: (81) 3-3523-3551  
Fax: (81) 3-3523-7581

## Atmel Operations

### Memory

2325 Orchard Parkway  
San Jose, CA 95131, USA  
Tel: 1(408) 441-0311  
Fax: 1(408) 436-4314

### Microcontrollers

2325 Orchard Parkway  
San Jose, CA 95131, USA  
Tel: 1(408) 441-0311  
Fax: 1(408) 436-4314

La Chantrerie  
BP 70602  
44306 Nantes Cedex 3, France  
Tel: (33) 2-40-18-18-18  
Fax: (33) 2-40-18-19-60

### ASIC/ASSP/Smart Cards

Zone Industrielle  
13106 Rousset Cedex, France  
Tel: (33) 4-42-53-60-00  
Fax: (33) 4-42-53-60-01

1150 East Cheyenne Mtn. Blvd.  
Colorado Springs, CO 80906, USA  
Tel: 1(719) 576-3300  
Fax: 1(719) 540-1759

Scottish Enterprise Technology Park  
Maxwell Building  
East Kilbride G75 0QR, Scotland  
Tel: (44) 1355-803-000  
Fax: (44) 1355-242-743

### RF/Automotive

Theresienstrasse 2  
Postfach 3535  
74025 Heilbronn, Germany  
Tel: (49) 71-31-67-0  
Fax: (49) 71-31-67-2340

1150 East Cheyenne Mtn. Blvd.  
Colorado Springs, CO 80906, USA  
Tel: 1(719) 576-3300  
Fax: 1(719) 540-1759

### Biometrics/Imaging/Hi-Rel MPU/ High Speed Converters/RF Datacom

Avenue de Rochepleine  
BP 123  
38521 Saint-Egreve Cedex, France  
Tel: (33) 4-76-58-30-00  
Fax: (33) 4-76-58-34-80

---

### Literature Requests

[www.atmel.com/literature](http://www.atmel.com/literature)

**Disclaimer:** The information in this document is provided in connection with Atmel products. No license, express or implied, by estoppel or otherwise, to any intellectual property right is granted by this document or in connection with the sale of Atmel products. **EXCEPT AS SET FORTH IN ATMEL'S TERMS AND CONDITIONS OF SALE LOCATED ON ATMEL'S WEB SITE, ATMEL ASSUMES NO LIABILITY WHATSOEVER AND DISCLAIMS ANY EXPRESS, IMPLIED OR STATUTORY WARRANTY RELATING TO ITS PRODUCTS INCLUDING, BUT NOT LIMITED TO, THE IMPLIED WARRANTY OF MERCHANTABILITY, FITNESS FOR A PARTICULAR PURPOSE, OR NON-INFRINGEMENT. IN NO EVENT SHALL ATMEL BE LIABLE FOR ANY DIRECT, INDIRECT, CONSEQUENTIAL, PUNITIVE, SPECIAL OR INCIDENTAL DAMAGES (INCLUDING, WITHOUT LIMITATION, DAMAGES FOR LOSS OF PROFITS, BUSINESS INTERRUPTION, OR LOSS OF INFORMATION) ARISING OUT OF THE USE OR INABILITY TO USE THIS DOCUMENT, EVEN IF ATMEL HAS BEEN ADVISED OF THE POSSIBILITY OF SUCH DAMAGES.** Atmel makes no representations or warranties with respect to the accuracy or completeness of the contents of this document and reserves the right to make changes to specifications and product descriptions at any time without notice. Atmel does not make any commitment to update the information contained herein. Unless specifically provided otherwise, Atmel products are not suitable for, and shall not be used in, automotive applications. Atmel's products are not intended, authorized, or warranted for use as components in applications intended to support or sustain life.

© Atmel Corporation 2005. All rights reserved. Atmel®, logo and combinations thereof, Everywhere You Are® and others, are registered trademarks or trademarks of Atmel Corporation or its subsidiaries. Other terms and product names may be trademarks of others.



Printed on recycled paper.