

阅读申明

- 1.本站收集的数据手册和产品资料都来自互联网，版权归原作者所有。如读者和版权方有任何异议请及时告之，我们将妥善解决。
- 2.本站提供的中文数据手册是英文数据手册的中文翻译，其目的是协助用户阅读，该译文无法自动跟随原稿更新，同时也可能存在翻译上的不当。建议读者以英文原稿为参考以便获得更精准的信息。
- 3.本站提供的产品资料，来自厂商的技术支持或者使用者的心得体会等，其内容可能存在描述上的差异，建议读者做出适当判断。
- 4.如需与我们联系，请发邮件到marketing@iczoom.com，主题请标有“数据手册”字样。

Read Statement

1. The datasheets and other product information on the site are all from network reference or other public materials, and the copyright belongs to the original author and original published source. If readers and copyright owners have any objections, please contact us and we will deal with it in a timely manner.
2. The Chinese datasheets provided on the website is a Chinese translation of the English datasheets. Its purpose is for reader's learning exchange only and do not involve commercial purposes. The translation cannot be automatically updated with the original manuscript, and there may also be improper translations. Readers are advised to use the English manuscript as a reference for more accurate information.
3. All product information provided on the website refer to solutions from manufacturers' technical support or users the contents may have differences in description, and readers are advised to take the original article as the standard.
4. If you have any questions, please contact us at marketing@iczoom.com and mark the subject with "Datasheets" .

Directional Coupler

We accomplish the advanced characteristics of Low Insertion Loss and High Isolation, the Miniaturization and High Performance by our μ -wave circuit simulation and fine line printing technologies.

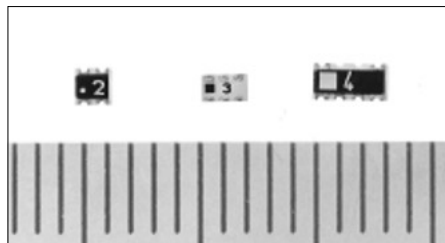
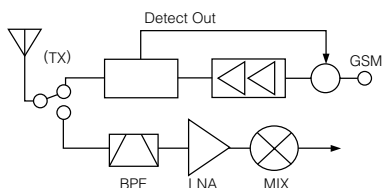
Features

- Miniature, thin (1.6 X 0.8 X t 0.55)
- Available for each frequency range (700 MHz to 2500 MHz)
- High isolation
- Integrated termination resistance available

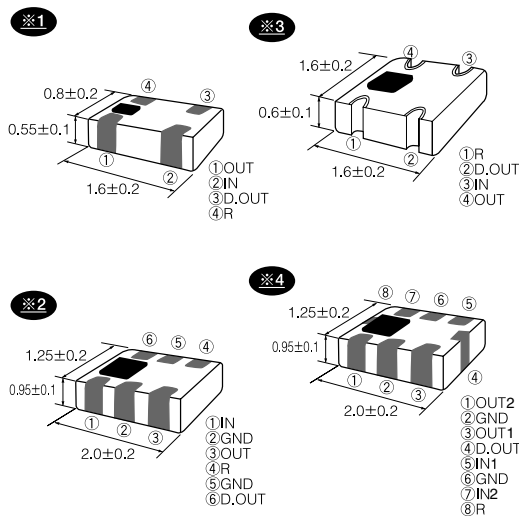
Recommended Applications

- Digital portable Telephone
- Dual mode Portable Telephone
- Personal handy-phone system
- Mobile communication system

Block Diagram



■ Dimensions in mm (not to scale)



Typical Characteristics

Part No.	EHFFD 1775D	EHFFD 1775E	EHFFD 1775F	EHFFD 1775K	EHFFD 1775L	EHFFD 1774D	EHFFD 1774E	EHFFD 1774F	EHFFD 1774K	EHFFD 1540	EHFFD 1549	EHFFD 1541	EHFFD 1542	EHFFD 1812
Frequency (MHz)	850 to 950	850 to 950	850 to 950	1750 to 1950	1750 to 1950	850 to 950	850 to 950	850 to 950	1750 to 1950	800 to 1000	800 to 1000	1800 to 2000	1850 to 1950	880 to 925 1700 to 1900
Insertion Loss (dB)	0.35 max.	0.25 max.	0.15 max.	0.4 max.	0.25 max.	0.4 max.	0.25 max.	0.15 max.	0.4 max.	0.25 max.	0.2 max.	0.35 max.	0.25 max.	0.4 max.
Coupled Value(dB)	14±1	17±1	20±1	14±1	17±1	14±1	17±1	20±1	14±1	17±2	20±2	14±2	20±1	19±1, 16±1
Isolation (dB)	22 min.	23 min.	30 min.	23 min.	27 min.	24 min.	25 min.	30 min.	25 min.	25 min.	25 min.	20 min.	26 min.	21 min.
VSWR	1.3 max.	1.3 max.	1.3 max.	1.3 max.	1.3 max.	1.3 max.	1.3 max.	1.3 max.	1.3 max.	1.3 max.	1.3 max.	1.3 max.	1.3 max.	1.5 max.
Size (mm)	1.6X0.8	1.6X0.8	1.6X0.8	1.6X0.8	1.6X0.8	2.0X1.25	2.0X1.25	2.0X1.25	2.0X1.25	1.6X1.6	1.6X1.6	1.6X1.6	1.6X1.6	2.0X1.25
Construction No.	※1	※1	※1	※1	※1	※2	※2	※2	※2	※3	※3	※3	※3	※4
Note														Dual

Design and specifications are subject to change without notice. Ask factory for technical specifications before purchase and/or use. Whenever a doubt about safety arises from this product, please contact us immediately for technical consultation.