

## 阅读申明

- 1.本站收集的数据手册和产品资料都来自互联网，版权归原作者所有。如读者和版权方有任何异议请及时告之，我们将妥善解决。
- 2.本站提供的中文数据手册是英文数据手册的中文翻译，其目的是协助用户阅读，该译文无法自动跟随原稿更新，同时也可能存在翻译上的不当。建议读者以英文原稿为参考以便获得更精准的信息。
- 3.本站提供的产品资料，来自厂商的技术支持或者使用者的心得体会等，其内容可能存在描述上的差异，建议读者做出适当判断。
- 4.如需与我们联系，请发邮件到marketing@iczoom.com，主题请标有“数据手册”字样。

## Read Statement

1. The datasheets and other product information on the site are all from network reference or other public materials, and the copyright belongs to the original author and original published source. If readers and copyright owners have any objections, please contact us and we will deal with it in a timely manner.
2. The Chinese datasheets provided on the website is a Chinese translation of the English datasheets. Its purpose is for reader's learning exchange only and do not involve commercial purposes. The translation cannot be automatically updated with the original manuscript, and there may also be improper translations. Readers are advised to use the English manuscript as a reference for more accurate information.
3. All product information provided on the website refer to solutions from manufacturers' technical support or users the contents may have differences in description, and readers are advised to take the original article as the standard.
4. If you have any questions, please contact us at marketing@iczoom.com and mark the subject with "Datasheets" .

# DATA SHEET

## **TDA7010T** FM radio circuit

Product specification  
File under Integrated Circuits, IC01

September 1983

**FM radio circuit****TDA7010T****GENERAL DESCRIPTION**

The TDA7010T is a monolithic integrated circuit for mono FM portable radios, where a minimum on peripheral components is important (small dimensions and low costs).

The IC has an FLL (Frequency-Locked-Loop) system with an intermediate frequency of 70 kHz. The i.f. selectivity is obtained by active RC filters. The only function which needs alignment is the resonant circuit for the oscillator, thus selecting the reception frequency. Spurious reception is avoided by means of a mute circuit, which also eliminates too noisy input signals. Special precautions are taken to meet the radiation requirements.

The TDA7010T includes the following functions:

- R.F. input stage
- Mixer
- Local oscillator
- I.F. amplifier/limiter
- Phase demodulator
- Mute detector
- Mute switch

**QUICK REFERENCE DATA**

Supply voltage range (pin 4)	$V_P$	2,7 to 10 V
Supply current at $V_P = 4,5$ V	$I_P$	typ. 8 mA
R.F. input frequency range	$f_{rf}$	1,5 to 110 MHz
Sensitivity for -3 dB limiting (e.m.f. voltage) (source impedance: 75 $\Omega$ ; mute disabled)	EMF	typ. 1,5 $\mu$ V
Signal handling (e.m.f. voltage) (source impedance: 75 $\Omega$ )	EMF	typ. 200 mV
A.F. output voltage at $R_L = 22$ k $\Omega$	$V_o$	typ. 75 mV

**PACKAGE OUTLINE**

16-lead mini-pack; plastic (SO16; SOT109A); SOT109-1; 1996 July 24.

FM radio circuit

TDA7010T

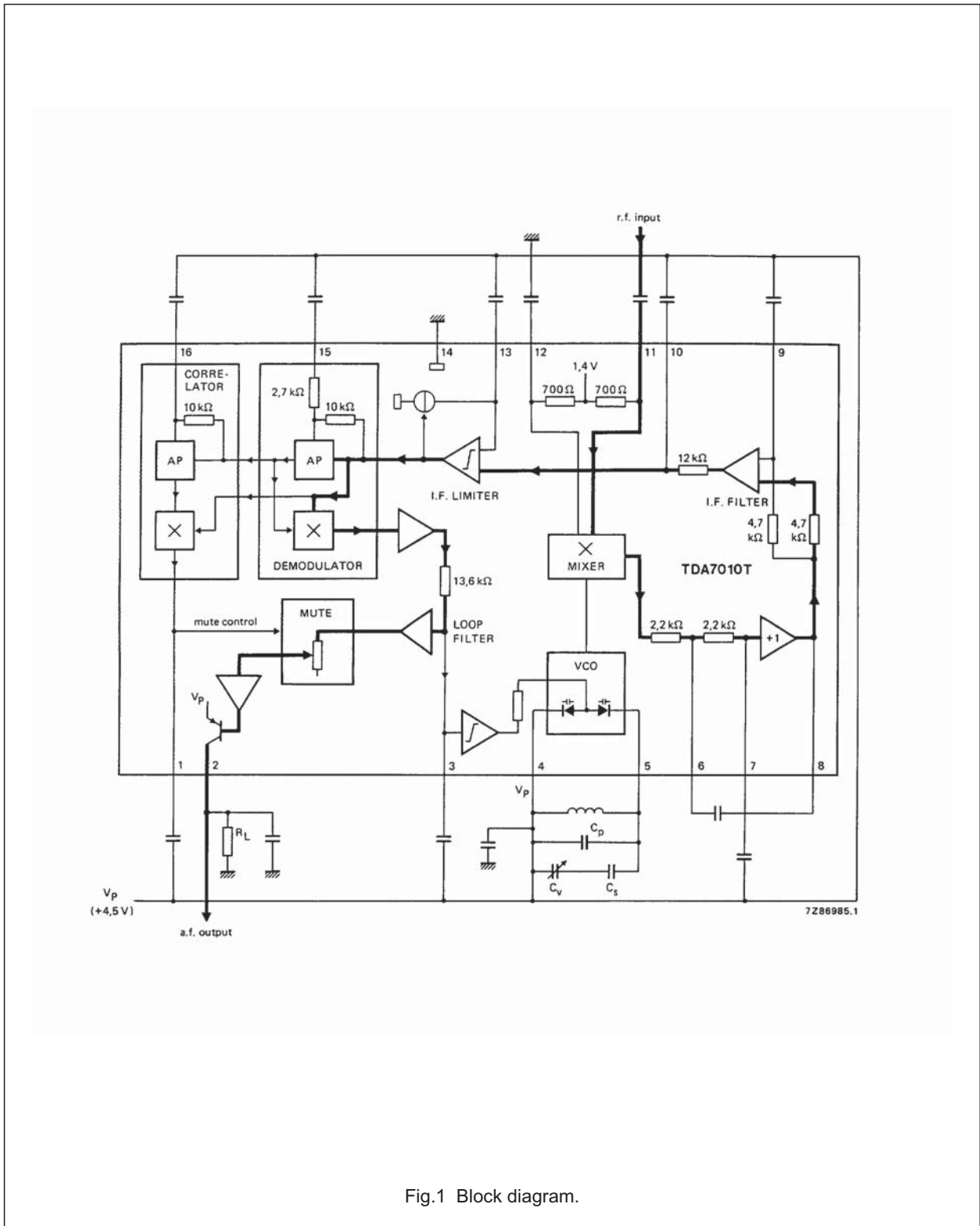


Fig.1 Block diagram.

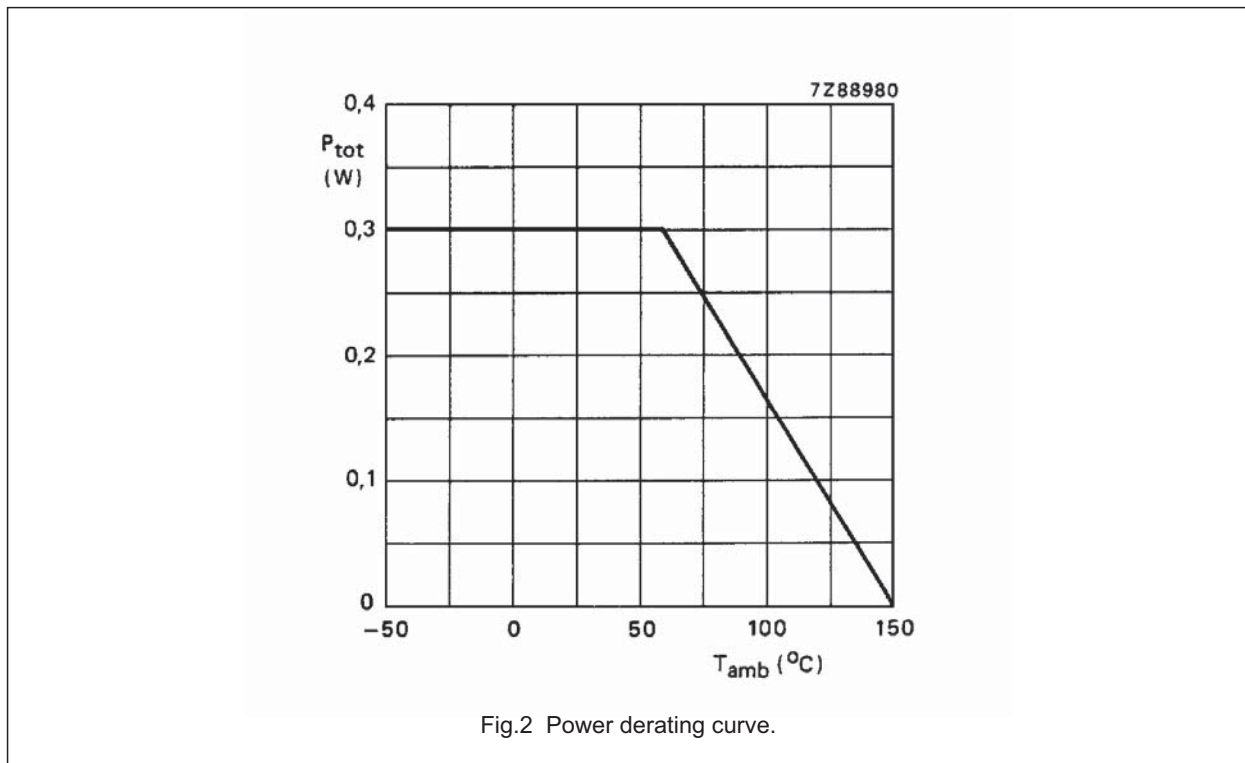
## FM radio circuit

## TDA7010T

**RATINGS**

Limiting values in accordance with the Absolute Maximum System (IEC 134)

Supply voltage (pin 4)	$V_P$	max.	12 V
Oscillator voltage (pin 5)	$V_{6-5}$	$V_P - 0,5$ to $V_P + 0,5$ V	
Total power dissipation		see derating curve Fig.2	
Storage temperature range	$T_{stg}$	-55 to + 150 °C	
Operating ambient temperature range	$T_{amb}$	0 to + 60 °C	

**D.C. CHARACTERISTICS** $V_P = 4,5$  V;  $T_{amb} = 25$  °C; measured in Fig.4; unless otherwise specified

PARAMETER	SYMBOL	MIN.	TYP.	MAX.	UNIT
Supply voltage (pin 4)	$V_P$	2,7	4,5	10	V
Supply current at $V_P = 4,5$ V	$I_P$	—	8	—	mA
Oscillator current (pin 5)	$I_5$	—	280	—	$\mu$ A
Voltage at pin 12	$V_{12-14}$	—	1,35	—	V
Output current at pin 2	$I_2$	—	60	—	$\mu$ A
Voltage at pin 2; $R_L = 22$ k $\Omega$	$V_{2-14}$	—	1,3	—	V

## FM radio circuit

## TDA7010T

**A.C. CHARACTERISTICS**

$V_p = 4,5 \text{ V}$ ;  $T_{amb} = 25 \text{ }^\circ\text{C}$ ; measured in Fig.4 (mute switch open, enabled);  $f_{rf} = 96 \text{ MHz}$  (tuned to max. signal at  $5 \text{ } \mu\text{V}$  e.m.f.) modulated with  $\Delta f = \pm 22,5 \text{ kHz}$ ;  $f_m = 1 \text{ kHz}$ ;  $EMF = 0,2 \text{ mV}$  (e.m.f. voltage at a source impedance of  $75 \text{ } \Omega$ ); r.m.s. noise voltage measured unweighted ( $f = 300 \text{ Hz}$  to  $20 \text{ kHz}$ ); unless otherwise specified.

PARAMETER	SYMBOL	MIN.	TYP.	MAX.	UNIT
Sensitivity (see Fig.3) (e.m.f. voltage) for $-3 \text{ dB}$ limiting; muting disabled	EMF	–	1,5	–	$\mu\text{V}$
for $-3 \text{ dB}$ muting	EMF	–	6	–	$\mu\text{V}$
for $S/N = 26 \text{ dB}$	EMF	–	5,5	–	$\mu\text{V}$
Signal handling (e.m.f. voltage) for $\text{THD} < 10\%$ ; $\Delta f = \pm 75 \text{ kHz}$	EMF	–	200	–	mV
Signal-to-noise ratio	S/N	–	60	–	dB
Total harmonic distortion at $\Delta f = \pm 22,5 \text{ kHz}$	THD	–	0,7	–	%
at $\Delta f = \pm 75 \text{ kHz}$	THD	–	2,3	–	%
AM suppression of output voltage (ratio of the AM output signal referred to the FM output signal) FM signal: $f_m = 1 \text{ kHz}$ ; $\Delta f = \pm 75 \text{ kHz}$ AM signal: $f_m = 1 \text{ kHz}$ ; $m = 80\%$	AMS	–	50	–	dB
Ripple rejection ( $\Delta V_p = 100 \text{ mV}$ ; $f = 1 \text{ kHz}$ )	RR	–	10	–	dB
Oscillator voltage (r.m.s. value) at pin 5	$V_{5-4(rms)}$	–	250	–	mV
Variation of oscillator frequency with supply voltage ( $\Delta V_p = 1 \text{ V}$ )	$\Delta f_{osc}$	–	60	–	kHz/V
Selectivity	$S_{+300}$	–	43	–	dB
	$S_{-300}$	–	28	–	dB
A.F.C. range	$\Delta f_{rf}$	–	$\pm 300$	–	kHz
Audio bandwidth at $\Delta V_o = 3 \text{ dB}$ measured with pre-emphasis ( $t = 50 \text{ } \mu\text{s}$ )	B	–	10	–	kHz
A.F. output voltage (r.m.s. value) at $R_L = 22 \text{ k}\Omega$	$V_{o(rms)}$	–	75	–	mV
Load resistance at $V_p = 4,5 \text{ V}$	$R_L$	–	–	22	$\text{k}\Omega$
at $V_p = 9,0 \text{ V}$	$R_L$	–	–	47	$\text{k}\Omega$

## FM radio circuit

## TDA7010T

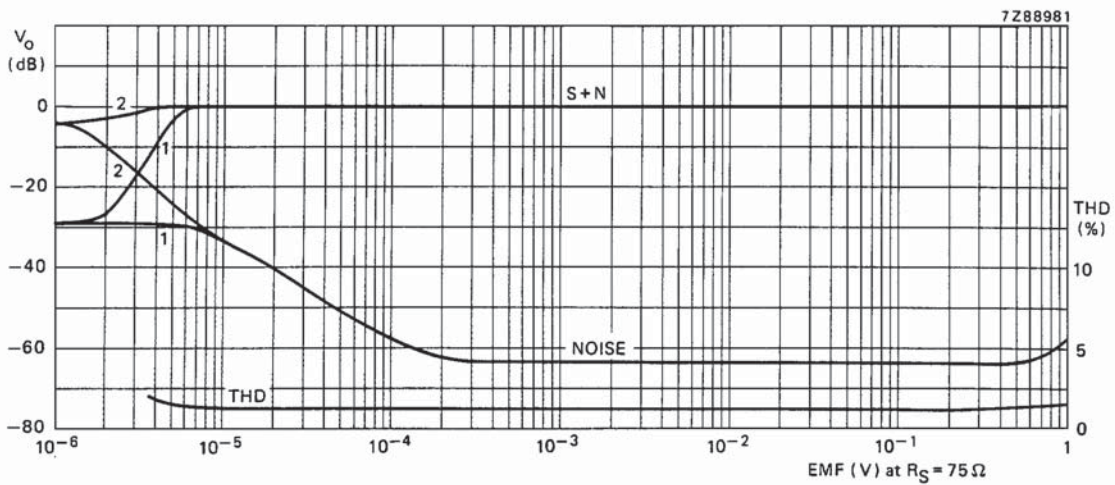


Fig.3 A.F. output voltage ( $V_o$ ) and total harmonic distortion (THD) as a function of the e.m.f. input voltage (EMF) with a source impedance ( $R_S$ ) of  $75 \Omega$ : (1) muting system enabled; (2) muting system disabled.

Conditions: 0 dB = 75 mV;  $f_{rf} = 96$  MHz.  
 for S + N curve:  $\Delta f = \pm 22,5$  kHz;  $f_m = 1$  kHz.  
 for THD curve:  $\Delta f = \pm 75$  kHz;  $f_m = 1$  kHz.

**Note**

1. The muting system can be disabled by feeding a current of about  $20 \mu\text{A}$  into pin 1.

FM radio circuit

TDA7010T

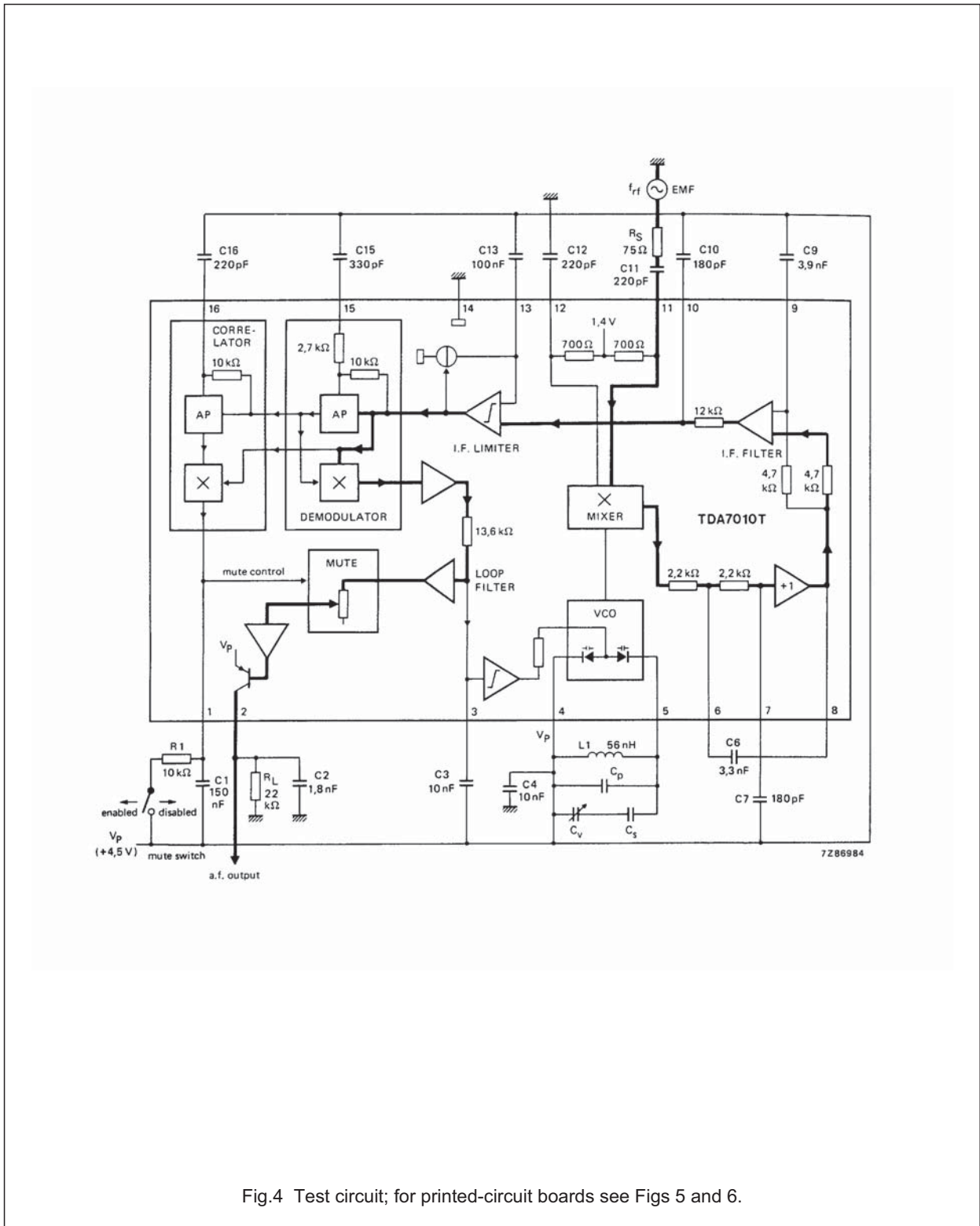


Fig.4 Test circuit; for printed-circuit boards see Figs 5 and 6.



FM radio circuit

TDA7010T

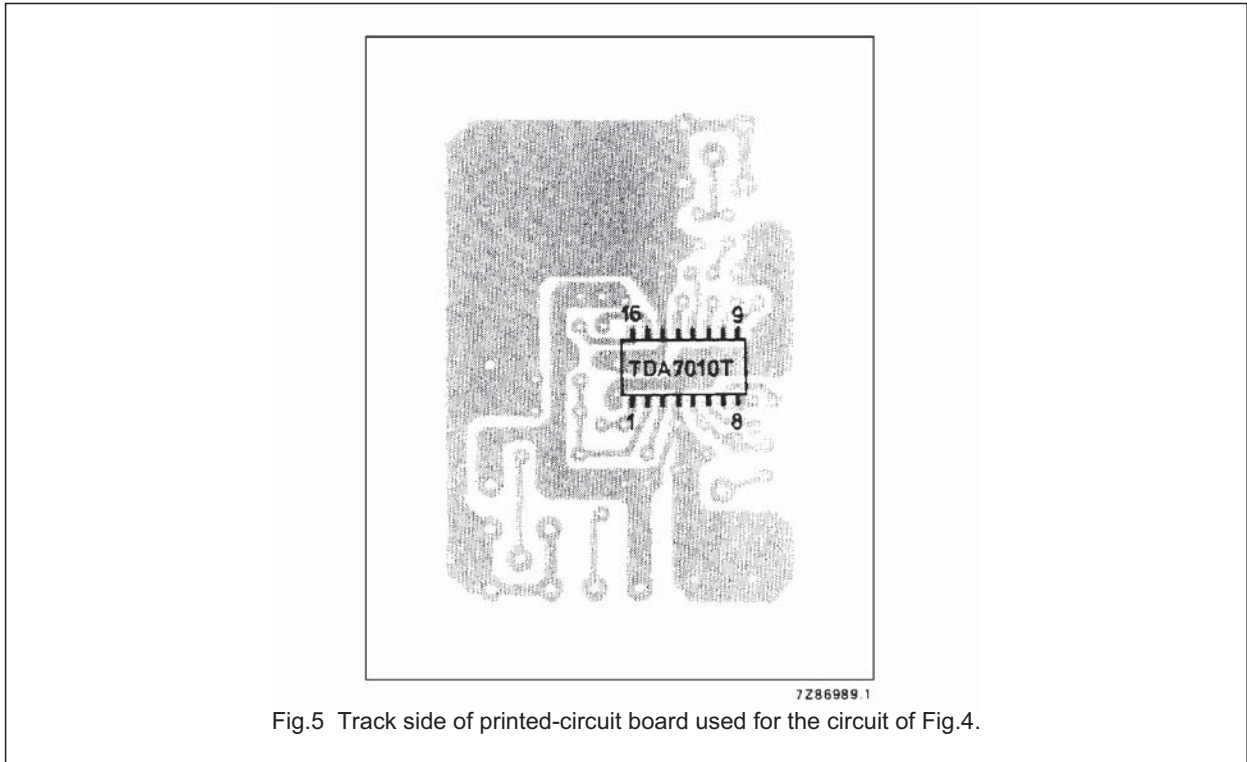


Fig.5 Track side of printed-circuit board used for the circuit of Fig.4.

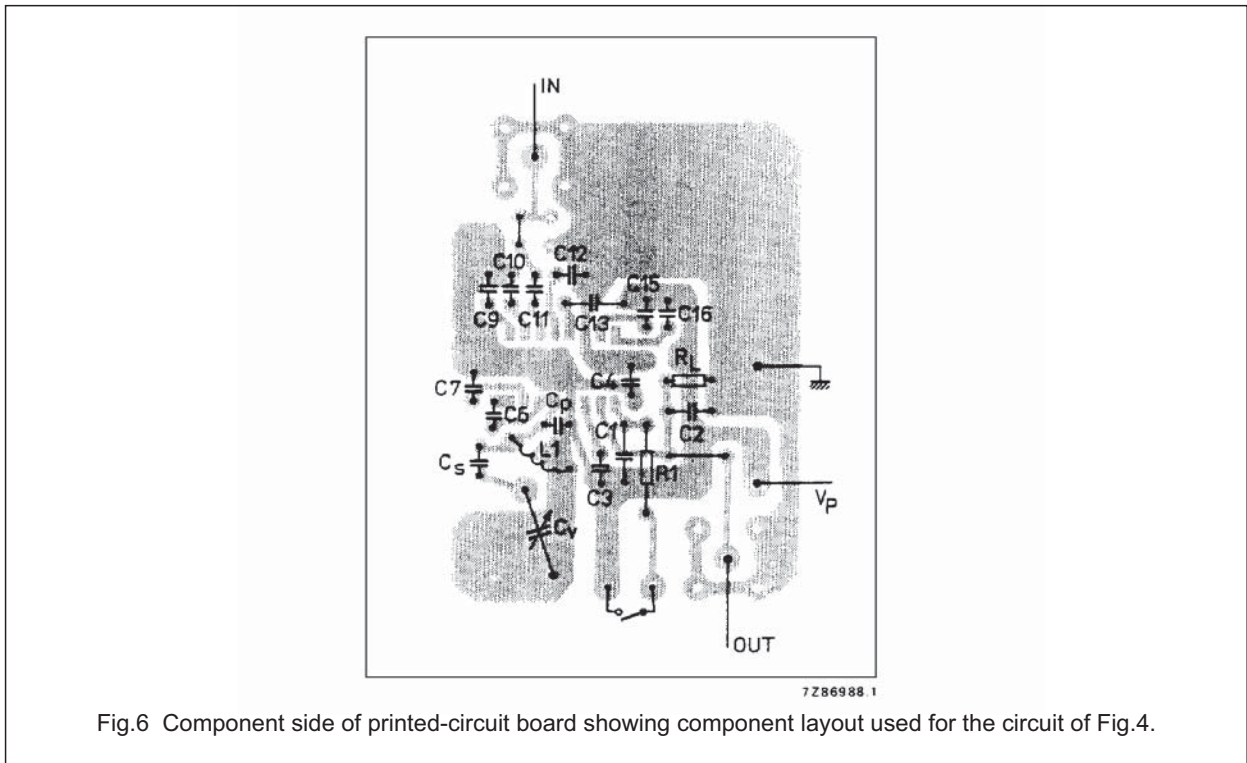


Fig.6 Component side of printed-circuit board showing component layout used for the circuit of Fig.4.

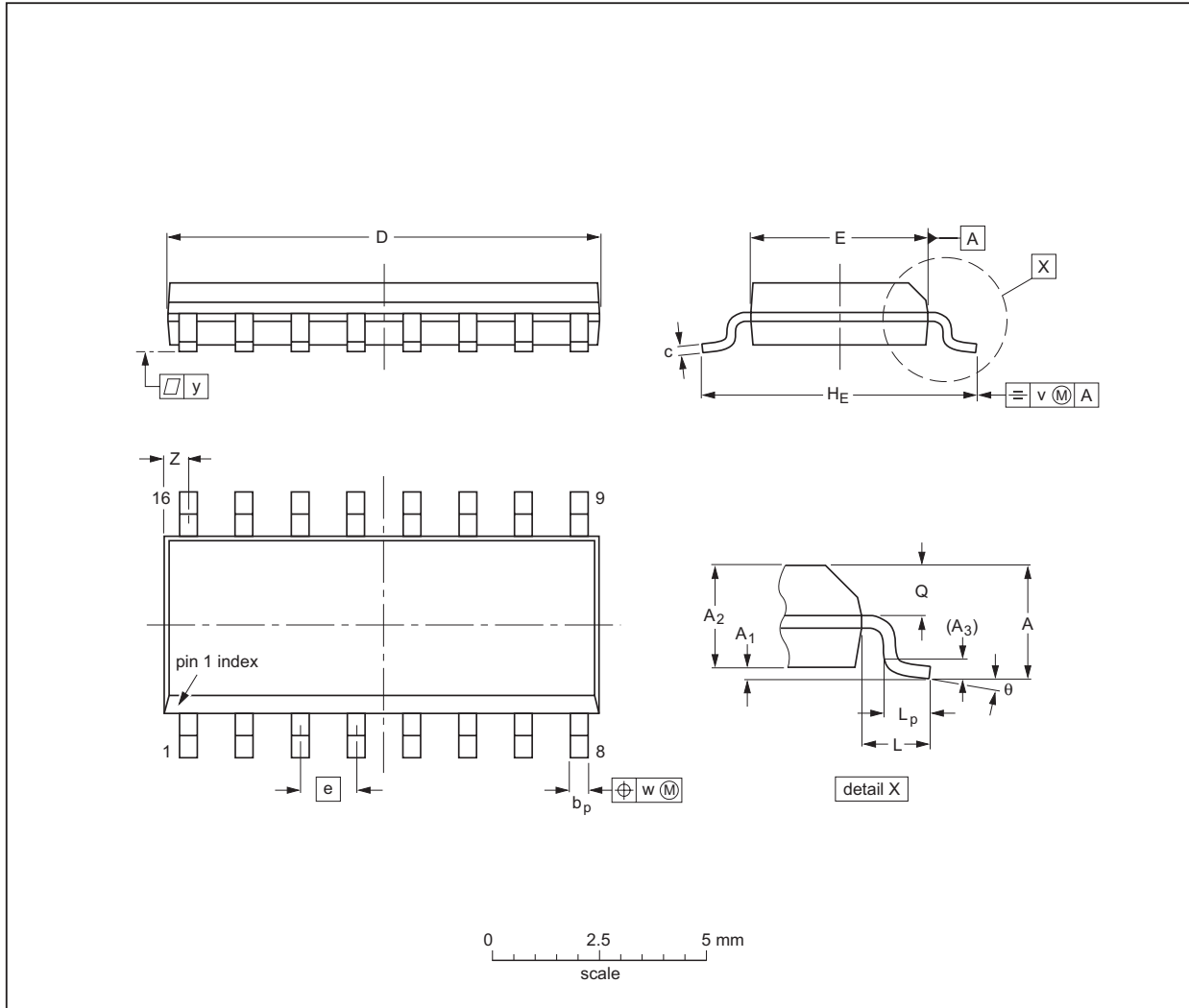
FM radio circuit

TDA7010T

PACKAGE OUTLINE

SO16: plastic small outline package; 16 leads; body width 3.9 mm

SOT109-1



DIMENSIONS (inch dimensions are derived from the original mm dimensions)

UNIT	A max.	A <sub>1</sub>	A <sub>2</sub>	A <sub>3</sub>	b <sub>p</sub>	c	D <sup>(1)</sup>	E <sup>(1)</sup>	e	H <sub>E</sub>	L	L <sub>p</sub>	Q	v	w	y	Z <sup>(1)</sup>	θ
mm	1.75	0.25 0.10	1.45 1.25	0.25	0.49 0.36	0.25 0.19	10.0 9.8	4.0 3.8	1.27	6.2 5.8	1.05	1.0 0.4	0.7 0.6	0.25	0.25	0.1	0.7 0.3	8° 0°
inches	0.069	0.010 0.004	0.057 0.049	0.01	0.019 0.014	0.0100 0.0075	0.39 0.38	0.16 0.15	0.050	0.244 0.228	0.041	0.039 0.016	0.028 0.020	0.01	0.01	0.004	0.028 0.012	

Note

1. Plastic or metal protrusions of 0.15 mm maximum per side are not included.

OUTLINE VERSION	REFERENCES				EUROPEAN PROJECTION	ISSUE DATE
	IEC	JEDEC	EIAJ			
SOT109-1	076E07S	MS-012AC				95-01-23 97-05-22

---

## FM radio circuit

## TDA7010T

---

### SOLDERING

#### Introduction

There is no soldering method that is ideal for all IC packages. Wave soldering is often preferred when through-hole and surface mounted components are mixed on one printed-circuit board. However, wave soldering is not always suitable for surface mounted ICs, or for printed-circuits with high population densities. In these situations reflow soldering is often used.

This text gives a very brief insight to a complex technology. A more in-depth account of soldering ICs can be found in our *"IC Package Databook"* (order code 9398 652 90011).

#### Reflow soldering

Reflow soldering techniques are suitable for all SO packages.

Reflow soldering requires solder paste (a suspension of fine solder particles, flux and binding agent) to be applied to the printed-circuit board by screen printing, stencilling or pressure-syringe dispensing before package placement.

Several techniques exist for reflowing; for example, thermal conduction by heated belt. Dwell times vary between 50 and 300 seconds depending on heating method. Typical reflow temperatures range from 215 to 250 °C.

Preheating is necessary to dry the paste and evaporate the binding agent. Preheating duration: 45 minutes at 45 °C.

#### Wave soldering

Wave soldering techniques can be used for all SO packages if the following conditions are observed:

- A double-wave (a turbulent wave with high upward pressure followed by a smooth laminar wave) soldering technique should be used.
- The longitudinal axis of the package footprint must be parallel to the solder flow.
- The package footprint must incorporate solder thieves at the downstream end.

During placement and before soldering, the package must be fixed with a droplet of adhesive. The adhesive can be applied by screen printing, pin transfer or syringe dispensing. The package can be soldered after the adhesive is cured.

Maximum permissible solder temperature is 260 °C, and maximum duration of package immersion in solder is 10 seconds, if cooled to less than 150 °C within 6 seconds. Typical dwell time is 4 seconds at 250 °C.

A mildly-activated flux will eliminate the need for removal of corrosive residues in most applications.

#### Repairing soldered joints

Fix the component by first soldering two diagonally-opposite end leads. Use only a low voltage soldering iron (less than 24 V) applied to the flat part of the lead. Contact time must be limited to 10 seconds at up to 300 °C. When using a dedicated tool, all other leads can be soldered in one operation within 2 to 5 seconds between 270 and 320 °C.

## FM radio circuit

TDA7010T

**DEFINITIONS**

<b>Data sheet status</b>	
Objective specification	This data sheet contains target or goal specifications for product development.
Preliminary specification	This data sheet contains preliminary data; supplementary data may be published later.
Product specification	This data sheet contains final product specifications.
<b>Limiting values</b>	
Limiting values given are in accordance with the Absolute Maximum Rating System (IEC 134). Stress above one or more of the limiting values may cause permanent damage to the device. These are stress ratings only and operation of the device at these or at any other conditions above those given in the Characteristics sections of the specification is not implied. Exposure to limiting values for extended periods may affect device reliability.	
<b>Application information</b>	
Where application information is given, it is advisory and does not form part of the specification.	

**LIFE SUPPORT APPLICATIONS**

These products are not designed for use in life support appliances, devices, or systems where malfunction of these products can reasonably be expected to result in personal injury. Philips customers using or selling these products for use in such applications do so at their own risk and agree to fully indemnify Philips for any damages resulting from such improper use or sale.