

阅读申明

- 1.本站收集的数据手册和产品资料都来自互联网，版权归原作者所有。如读者和版权方有任何异议请及时告之，我们将妥善解决。
- 2.本站提供的中文数据手册是英文数据手册的中文翻译，其目的是协助用户阅读，该译文无法自动跟随原稿更新，同时也可能存在翻译上的不当。建议读者以英文原稿为参考以便获得更精准的信息。
- 3.本站提供的产品资料，来自厂商的技术支持或者使用者的心得体会等，其内容可能存在描述上的差异，建议读者做出适当判断。
- 4.如需与我们联系，请发邮件到marketing@iczoom.com，主题请标有“数据手册”字样。

Read Statement

1. The datasheets and other product information on the site are all from network reference or other public materials, and the copyright belongs to the original author and original published source. If readers and copyright owners have any objections, please contact us and we will deal with it in a timely manner.
2. The Chinese datasheets provided on the website is a Chinese translation of the English datasheets. Its purpose is for reader's learning exchange only and do not involve commercial purposes. The translation cannot be automatically updated with the original manuscript, and there may also be improper translations. Readers are advised to use the English manuscript as a reference for more accurate information.
3. All product information provided on the website refer to solutions from manufacturers' technical support or users the contents may have differences in description, and readers are advised to take the original article as the standard.
4. If you have any questions, please contact us at marketing@iczoom.com and mark the subject with "Datasheets" .

DATA SHEET

TDA1572T AM receiver

Product specification
File under Integrated Circuits, IC01

May 1992

AM receiver

TDA1572T

GENERAL DESCRIPTION

The TDA1572T integrated AM receiver circuit performs all the active functions and part of the filtering required of an AM radio receiver. It is intended for use in mains-fed home receivers and car radios. The circuit can be used for oscillator frequencies up to 50 MHz and can handle RF signals up to 500 mV.

RF radiation and sensitivity to interference are minimized by an almost symmetrical design. The controlled-voltage oscillator provides signals with extremely low distortion and high spectral purity over the whole frequency range, even when tuning with variable capacitance diodes. If required, band switching diodes can easily be applied. Selectivity is obtained using a block filter before the IF amplifier.

Features

- Inputs protected against damage by static discharge
- Gain-controlled RF stage
- Double balanced mixer
- Separately buffered, voltage-controlled and temperature-compensated oscillator, designed for simple coils
- Gain-controlled IF stage with wide AGC range
- Full-wave, balanced envelope detector
- Internal generation of AGC voltage with possibility of second-order filtering
- Buffered field strength indicator driver with short-circuit protection
- AF preamplifier with possibilities for simple AF filtering
- Electronic standby switch
- IF output for stereo demodulator and search tuning.

QUICK REFERENCE DATA

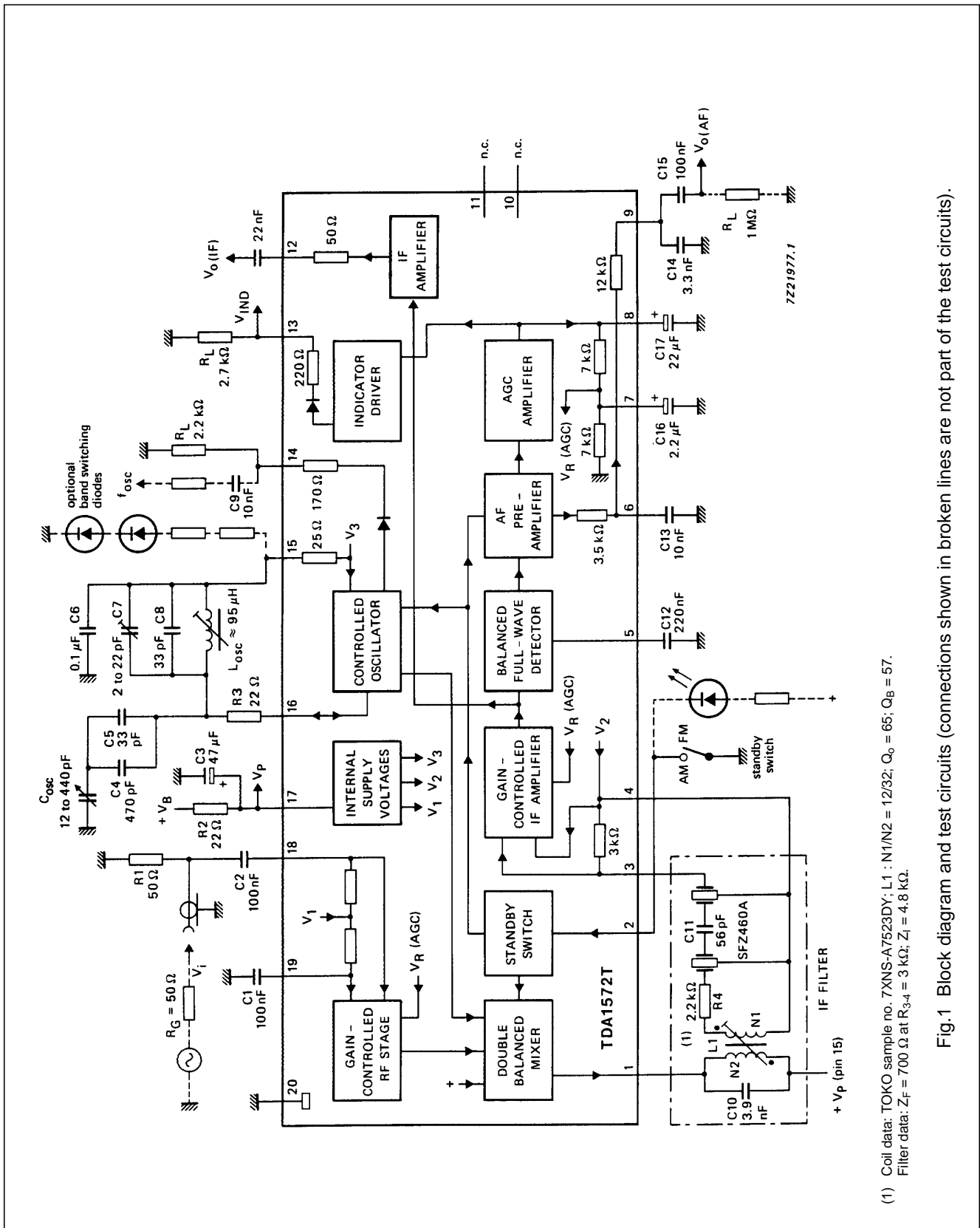
SYMBOL	PARAMETER	CONDITIONS	MIN.	TYP.	MAX.	UNIT
V_P	Supply voltage range		7.5	8.5	14.0	V
I_P	Supply current range	$V_P = 8.5$ V	15	25	28	mA
$V_{iFR(rms)}$	RF input voltage (RMS value) for $(S + N)/N = 6$ dB	$m = 30\%$	–	1.5	–	μ V
$V_{iRF(rms)}$	for THD = 3%	$m = 80\%$	–	500	–	mV
$V_{oIF(rms)}$	IF output voltage (RMS value)	$V_i = 2$ mV(rms)	180	230	290	mV
	AF output voltage (RMS value)	$V_i = 2$ mV(rms); $f_i = 1$ MHz; $m = 30\%$; $f_m = 400$ Hz	240	310	390	mV
	AGC range					
ΔV_i	Change of V_i for 1 dB change of V_{oAF}		–	86	–	dB
	Indicator driver (pin 13)					
V_o	Output voltage	$V_i = 500$ mV(rms); $R_L = 2.7$ k Ω	2.5	2.8	3.1	V

PACKAGE OUTLINE

20-lead mini-pack; plastic (SO20; SOT163A); SOT163-1; 1996 August 13.

AM receiver

TDA1572T



(1) Coil data: TOKO sample no. 7XNS-A7523DY; L1 : N1/N2 = 12/32; Q₀ = 65; Q_B = 57.
Filter data: Z_F = 700 Ω at R₃₋₄ = 3 kΩ; Z₁ = 4.8 kΩ.

Fig.1 Block diagram and test circuits (connections shown in broken lines are not part of the test circuits).

AM receiver

TDA1572T

PINNING

1	MXO	mixer output
2	STB	standby switch
3	IF11	IF input 1
4	IF12	IF input 2
5	DET	detector
6	AFO1	AF output 1
7	AGC1	AGC stage 1
8	ACG2	AGC stage 2
9	AFO2	AF output 2
10	n.c.	not connected
11	n.c.	not connected
12	IFO	IF output
13	IND	indicator output
14	OSO	buffered oscillator output
15	OSC1	oscillator 1
16	OSC2	oscillator 2
17	V _P	supply voltage
18	RF11	RF input 1
19	RF12	RF input 2
20	GND	ground

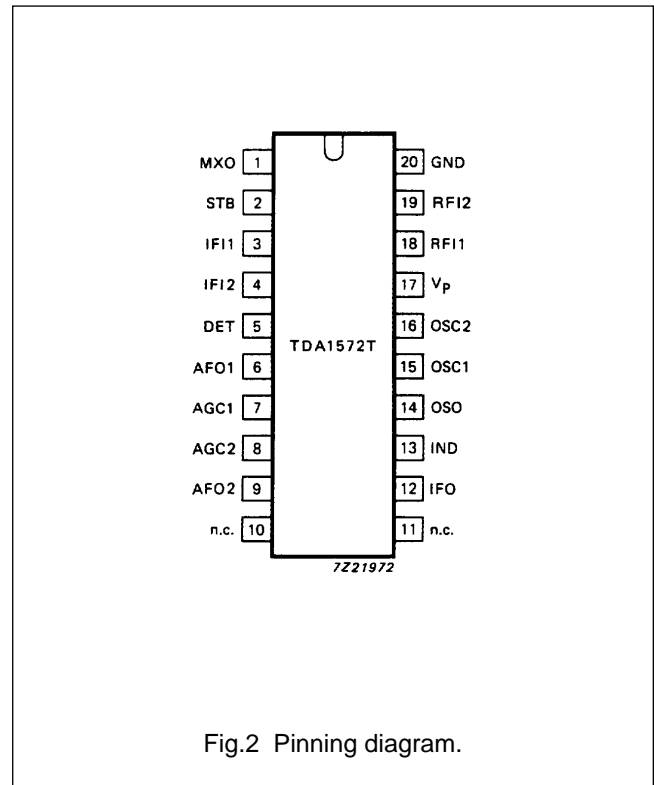


Fig.2 Pinning diagram.

AM receiver**TDA1572T**

FUNCTIONAL DESCRIPTION**Gain-controlled RF stage and mixer**

The differential amplifier in the RF stage employs an AGC negative feedback network to provide a wide dynamic range. Very good cross-modulation behaviour is achieved by AGC delays at the various signal stages. Large signals are handled with low distortion and the $(S + N)/N$ ratio of small signals is improved. Low noise working is achieved in the differential amplifier by using transistors with low base resistance.

A double balanced mixer provides the IF output signal to pin 1.

Oscillator

The differential amplifier oscillator is temperature compensated and is suitable for simple coil connection. The oscillator is voltage-controlled and has little distortion or spurious radiation. It is specially suitable for electronic tuning using variable capacitance diodes. Band switching diodes can easily be applied using the stabilized voltage V_{15-20} . An extra buffered oscillator output (pin 14) is available for driving a synthesizer. If this is not needed, resistor $R_{L(14)}$ can be omitted.

Gain-controlled IF amplifier

This amplifier comprises two cascaded, variable-gain differential amplifier stages coupled by a band-pass filter. Both stages are gain-controlled by the AGC negative feedback network. The IF output is available at pin 12.

Detector

The full-wave, balanced envelope detector has very low distortion over a wide dynamic range. Residual IF carrier is blocked from the signal path by an internal low-pass filter.

AF preamplifier

This stage preamplifies the audio frequency output signal. The amplifier output has an emitter follower with a series resistor which, together with an external capacitor, yields the required low-pass for AF filtering.

AGC amplifier

The AGC amplifier provides a control voltage which is proportional to the carrier amplitude. Second-order filtering of the AGC voltage achieves signals with very little distortion, even at low audio frequencies. This method of filtering also gives fast AGC settling time which is advantageous for electronic search tuning. The AGC settling time can be further reduced by using capacitors of smaller value in the external filter (C16 and C17). The AGC voltage is fed to the RF and IF stages via suitable AGC delays. The capacitor at pin 7 can be omitted for low-cost applications.

Field strength indicator output

A buffered voltage source provides a high-level field strength output signal which has good linearity for logarithmic input signals over the whole dynamic range. If the field strength information is not needed, $R_{L(13)}$ can be omitted.

Standby switch

This switch is primarily intended for AM/FM band switching. During standby mode the oscillator, mixer and AF preamplifier are switched off.

Short-circuit protection

All pins have short-circuit protection to ground.

AM receiver

TDA1572T

RATINGS

Limiting values in accordance with the Absolute Maximum System (IEC 134)

SYMBOL	PARAMETER	MIN.	MAX.	UNIT
$V_P = V_{17-20}$	Supply voltage (pin 17)	–	16	V
$ V_{18-19} $	Input voltage	–	12	V
$-V_{18-19}; -V_{19-20}$		–	0.6	V
$V_{18-19}; V_{19-20}$		–	V_P	V
$ I_{18} ; I_{20} $	Input current (pins 18 and 20)	–	200	mA
P_{tot}	Total power dissipation	–	500	mW
T_{stg}	Storage temperature range	–55	+150	°C
T_{amb}	Operating ambient temperature range	–40	+85	°C
T_j	Junction temperature	–	+125	°C
	Electrostatic handling ⁽¹⁾			
V_{es}	all pins except pins 3, 6, 9, 14	–2000	+2000	V
V_{es}	pins 3, 6, 14	–1500	+2000	V
V_{es}	pin 9	–1000	+2000	V

Note

1. Equivalent to discharging a 100 pF capacitor through a 1.5 kΩ series resistor; (5 pulses, both polarities).

THERMAL RESISTANCE

From junction to ambient (in free air)

$$R_{th\ j-a\ (max.)} = 95\ K/W$$

AM receiver

TDA1572T

CHARACTERISTICS

$V_P = V_{17-20} = 8.5$ V; $T_{amb} = 25$ °C; $f_i = 1$ MHz; $f_m = 400$ Hz; $m = 30\%$; $f_{IF} = 460$ kHz; measured in test circuit of Fig.1; all voltages referenced to ground; unless otherwise specified.

SYMBOL	PARAMETER	MIN.	TYP.	MAX.	UNIT
	Supply				
V_P	Supply voltage (pin 17)	7.5	8.5	14.0	V
I_P	Supply current (pin 17)	15	25	28	mA
	RF stage and mixer (pins 18 and 19)				
V_I	DC input voltage	–	$V_P/2$	–	V
Z_i	RF input impedance at $V_I < 300$ μ V (rms)	–	5.5	–	k Ω
C_i	RF input capacitance	–	25	–	pF
Z_i	RF input impedance at $V_I > 10$ mV (rms)	–	8	–	k Ω
C_i	RF input capacitance	–	22	–	pF
Z_o	IF output impedance (pin 1)	200	–	–	k Ω
C_o	IF output capacitance	–	6	–	pF
	Conversion transconductance				
I_1/V_i	before start of AGC	–	6.5	–	mA/V
$V_{1-17(p-p)}$	Maximum IF output voltage, inductive coupling to pin 1 (peak-to-peak value)	–	5	–	V
I_o	DC value of output current; at $V_I = 0$ V (pin 1)	–	1.2	–	mA
	AGC range of input stage	–	30	–	dB
	RF signal handling capability				
$V_{i(rms)}$	Input voltage (RMS value) for THD = 3% at $m = 80\%$	–	500	–	mV

AM receiver

TDA1572T

SYMBOL	PARAMETER	MIN.	TYP.	MAX.	UNIT
	Oscillator				
f_{osc}	Frequency range	0.1	–	60	MHz
$V_{(rms)}$	Voltage amplitude (pins 15 to 16) (RMS value)	80	130	150	mV
$R_{(ext)}$	External load impedance (pins 16 to 15)	0.5	–	200	k Ω
$R_{(ext)}$	External load impedance for no oscillation (pins 16 to 15)	–	–	60	Ω
SVRR	Supply voltage ripple rejection at $V_P = 100$ mV(rms); $f_p = 100$ Hz (SVRR = $20 \log [V_{17}/V_{15}]$)	–	55	–	dB
V_{15-20}	Source voltage for switching diodes ($6 \times V_{BE}$) (pin 15)	–	4.2	–	V
$-I_O$	DC output current (for switching diodes) (pin 15)	0	–	20	mA
ΔV_I	Change of output voltage at $\Delta I_{15} = 20$ mA (switch to maximum load) (pin 15)	–	0.3	–	V
	Buffered oscillator output (pin 14)				
V_O	DC output voltage	–	0.8	–	V
$V_{O(p-p)}$	Output signal amplitude (peak-to-peak value)	–	320	–	mV
Z_O	Output impedance	–	170	–	Ω
$-I_{O(peak)}$	Output current (peak value)	–	–	3	mA
	IF, AGC and AF stages				
V_I	DC input voltage (pins 3 and 4)	–	2.0	–	V
Z_i	IF input impedance (pins 3 to 4)	2.4	3.0	3.9	k Ω
C_i	IF input capacitance	–	7	–	pF
$V_{iIF(rms)}$	IF input voltage for THD = 3% at $m = 80\%$ (pins 3 and 4) (RMS value)	–	90	–	mV
Z_o	IF output impedance (pin 12)	–	50	–	Ω
$V_{oIF(rms)}$	Unloaded IF output voltage at $V_i = 10$ mV (pin 12) (RMS value)	180	230	290	mV
G_v	Voltage gain before start of AGC (pins 3 to 4; 6 to 20)	–	68	–	dB
ΔV_v	AGC range of IF stages: change of V_{3-4} for 1 dB change of $V_{o(AF)}$; $V_{3-4(ref)} = 75$ mV(rms)	–	55	–	dB

AM receiver

TDA1572T

SYMBOL	PARAMETER	MIN.	TYP.	MAX.	UNIT
$V_{oAF(rms)}$	AF output voltage (RMS value) at $V_{3-4(IF)} = 50 \mu V(rms)$	–	130	–	mV
$V_{oAF(rms)}$	at $V_{3-4(IF)} = 1 mV(rms)$	–	310	–	mV
$ Z_o $	AF output impedance (pin 6)	2.8	3.5	4.2	k Ω
$ Z_o $	AF output impedance (pin 9)	12.4	15.5	18.6	k Ω
	Indicator driver (pin 13)				
V_o	Output voltage at $V_i = 0 mV(rms)$; $R_L = 2.7 k\Omega$	–	–	140	mV
V_o	Output voltage at $V_i = 500 mV(rms)$; $R_L = 2.7 k\Omega$	2.5	2.8	3.1	V
R_L	Load resistance	1.5	–	–	k Ω
$-I_o$	Output current at $V_i = 500 mV(rms)$	–	–	2.0	mA
Z_o	Output impedance at $-I_o = 0.5 mA$	–	220	–	Ω
V_o	Reverse output voltage at AM off	–	6	–	V
	Standby switch				
	Switching threshold at; $V_P = 7.5$ to $14 V$ $T_{amb} = -40$ to $+80 ^\circ C$				
V_{2-20}	ON-voltage	0	–	2.0	V
V_{2-20}	OFF-voltage	3.5	–	20.0	V
$-I_2$	ON-current at $V_{2-20} = 0 V$	–	100	200	μA
$ I_2 $	OFF-current at $V_{2-20} = 14 V$	–	–	10	μA

AM receiver

TDA1572T

OPERATING CHARACTERISTICS

$V_P = 8.5\text{ V}$; $f_i = 1\text{ MHz}$; $m = 30\%$; $f_m = 400\text{ Hz}$; $T_{\text{amb}} = 25\text{ °C}$; measured in Fig.1; unless otherwise specified

SYMBOL	PARAMETER	MIN.	TYP.	MAX.	UNIT
	RF sensitivity				
	RF input voltage (RMS value)				
$V_{iRF(rms)}$	for $(S + N)/N = 6\text{ dB}$	–	1.5	–	μV
$V_{iRF(rms)}$	for $(S + N)/N = 26\text{ dB}$	–	15	–	μV
$V_{iRF(rms)}$	for $(S + N)/N = 46\text{ dB}$	–	150	–	μV
$V_{iRF(rms)}$	at start of AGC	–	30	–	μV
	RF large signal handling				
	RF input voltage (RMS value)				
$V_{iRF(rms)}$	at THD = 3%; $m = 80\%$	–	500	–	mV
$V_{iRF(rms)}$	at THD = 3%; $m = 30\%$	–	700	–	mV
$V_{iRF(rms)}$	at THD = 10%; $m = 30\%$	–	900	–	mV
	AGC range				
	Change of V_i for 1 dB change of V_{oAF} ; $V_{i(ref)} = 500\text{ mV(rms)}$	–	86	–	dB
ΔV_i	Change of V_i for 6 dB change of V_{oAF} ; $V_{i(ref)} = 500\text{ mV(rms)}$	–	91	–	dB
	Output signal (RMS value)				
$V_{oIF(rms)}$	IF output voltage at $V_i = 2\text{ mV(rms)}$	180	230	290	mV
	AF output voltage				
$V_{oAF(rms)}$	at $V_i = 4\text{ }\mu\text{V(rms)}$; $m = 80\%$	–	130	–	mV
$V_{oAF(rms)}$	at $V_i = 2\text{ mV(rms)}$	240	310	390	mV
	Total harmonic distortion				
THD	at $V_i = 2\text{ mV(rms)}$; $m = 30\%$	–	0.5	–	%
THD	at $V_i = 2\text{ mV(rms)}$; $m = 80\%$	–	1.0	–	%
THD	at $V_i = 500\text{ mV(rms)}$; $m = 30\%$	–	1.0	–	%
$(S + N)/N$	Signal-to-noise ratio at $V_i = 100\text{ mV(rms)}$	–	58	–	dB
	Supply voltage ripple rejection at $V_i = 2\text{ mV(rms)}$ $V_P = 100\text{ mV(rms)}$; $f_p = 100\text{ Hz}$				
SVRR	($SVRR = 20\text{ log } [V_P/V_{oAF}]$)	–	38	–	dB
SVRR	(a) additional AF signal at IF output	–	0 ⁽¹⁾	–	dB
SVRR	(b) add modulation at IF output ($m_{ref} = 30\%$)	–	40	–	dB

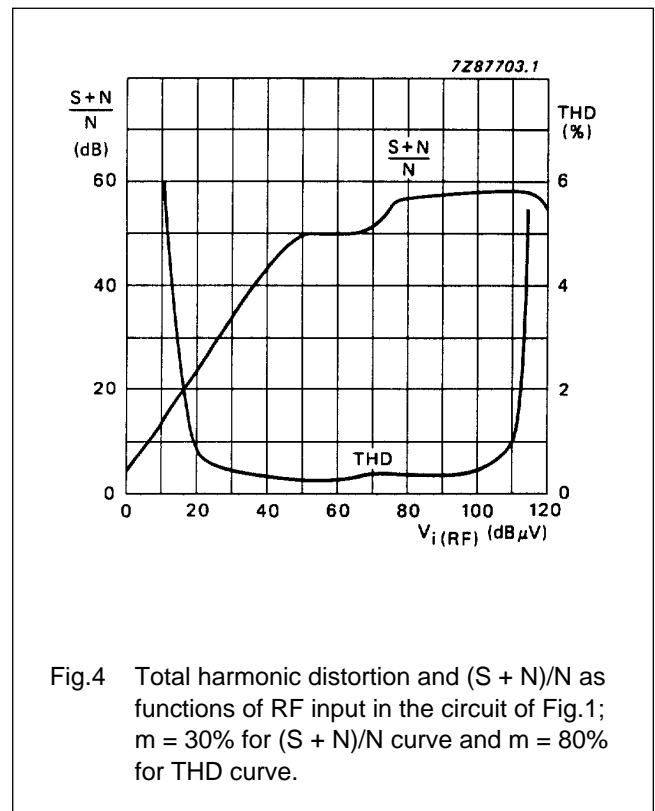
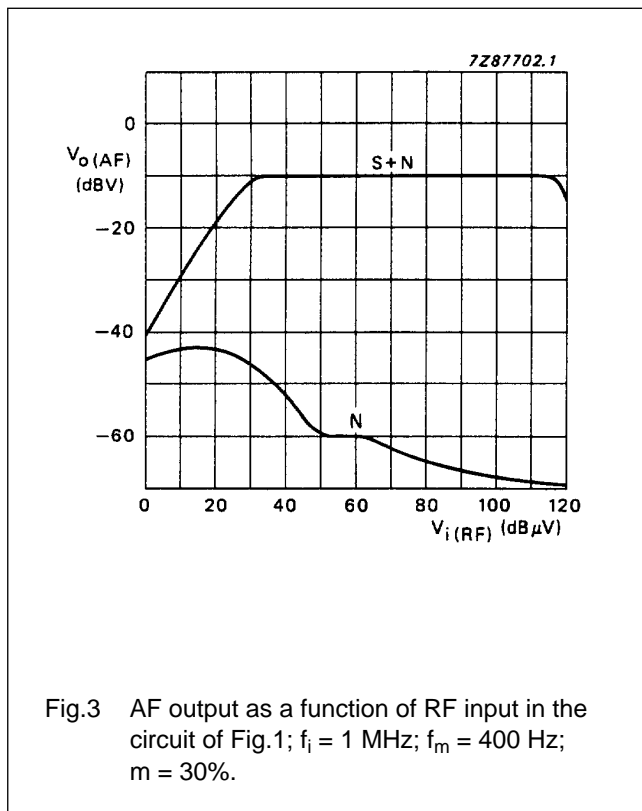
AM receiver

TDA1572T

SYMBOL	PARAMETER	MIN.	TYP.	MAX.	UNIT
	Unwanted signals				
	Suppression of IF whistles at $V_i = 15 \mu\text{V}$; $m = 0\%$ related to AF signal of $m = 30\%$				
α_{2IF}	at $f_i \approx 2 \times f_{IF}$	-	37	-	dB
α_{3IF}	at $f_i \approx 3 \times f_{IF}$	-	44	-	dB
	IF suppression at RF input;				
α_{IF}	for symmetrical input	-	40	-	dB
α_{IF}	for asymmetrical input	-	40	-	dB
	Residual oscillator signal at mixer output;				
$I_{1(osc)}$	at f_{osc}	-	1	-	μA
$I_{1(2osc)}$	at $2 \times f_{osc}$	-	1.1	-	μA

Note

1. AF signals at the IF output will be suppressed by a coupling capacitor to the demodulator and by full wave-detection in the demodulator.



AM receiver

TDA1572T

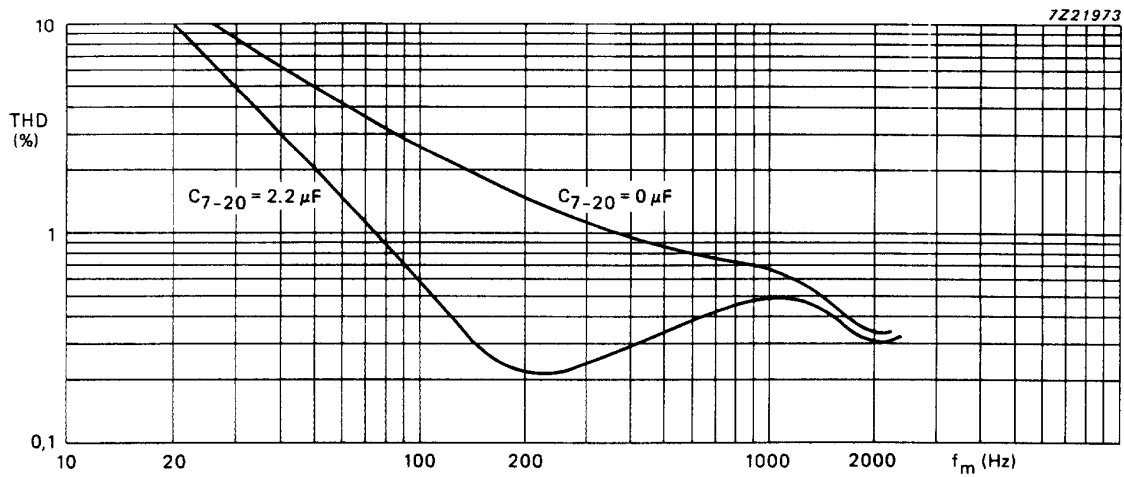


Fig.5 Total harmonic distortion as a function of modulation frequency at $V_i = 5 \text{ mV}$; $m = 80\%$; measured in the circuit of Fig.1 with $C_{7-20(\text{ext})} = 0 \mu\text{F}$ and $2.2 \mu\text{F}$.

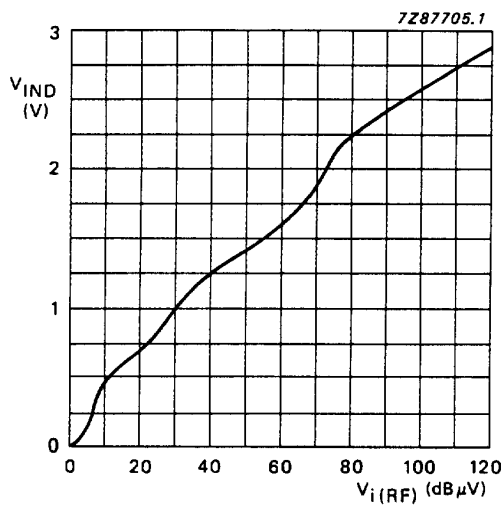
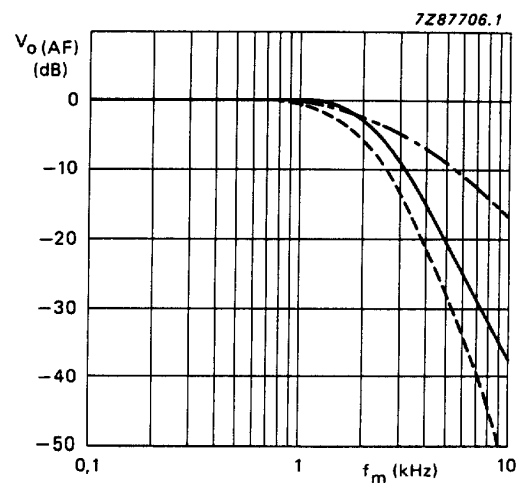


Fig.6 Indicator driver voltage as a function of RF input in the circuit of Fig.1.



- with IF filter;
- - - with AF filter;
- · · with IF and AF filters.

Fig.7 Typical frequency response curves from Fig.1 showing the effect of filtering.

AM receiver

TDA1572T

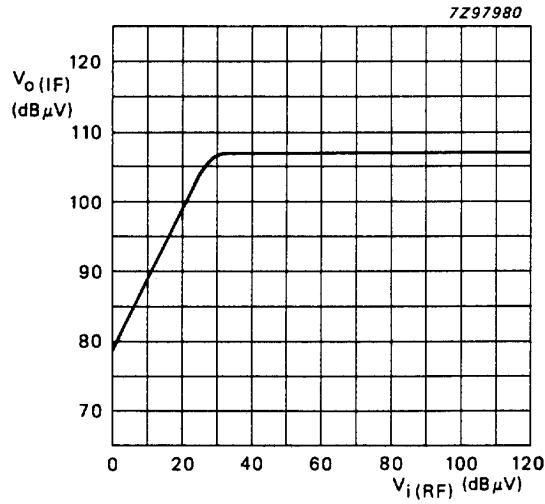


Fig.8 IF output voltage as a function of RF input in the circuit of Fig.1; $f_i = 1$ MHz.

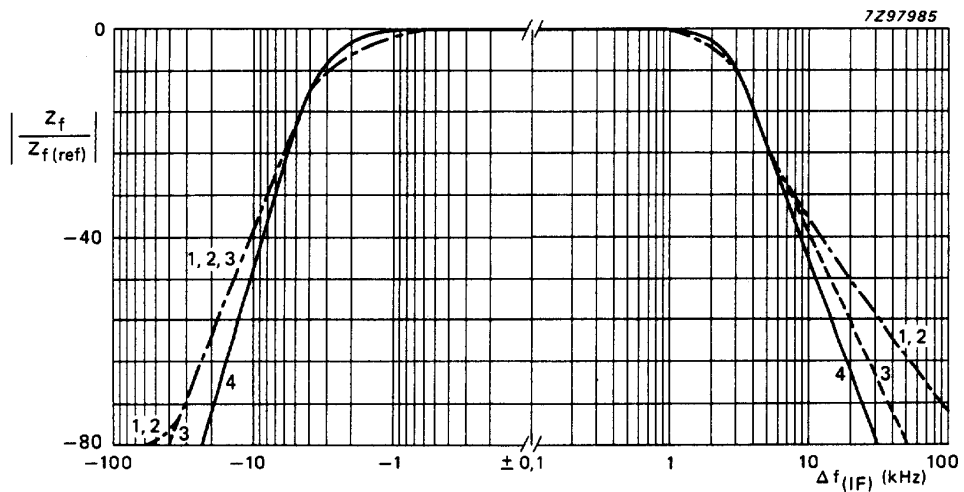


Fig.9 Forward transfer impedance as a function of intermediate frequency for filters 1 to 4 shown in Fig.10; centre frequency = 455 kHz.

AM receiver

TDA1572T

APPLICATION INFORMATION

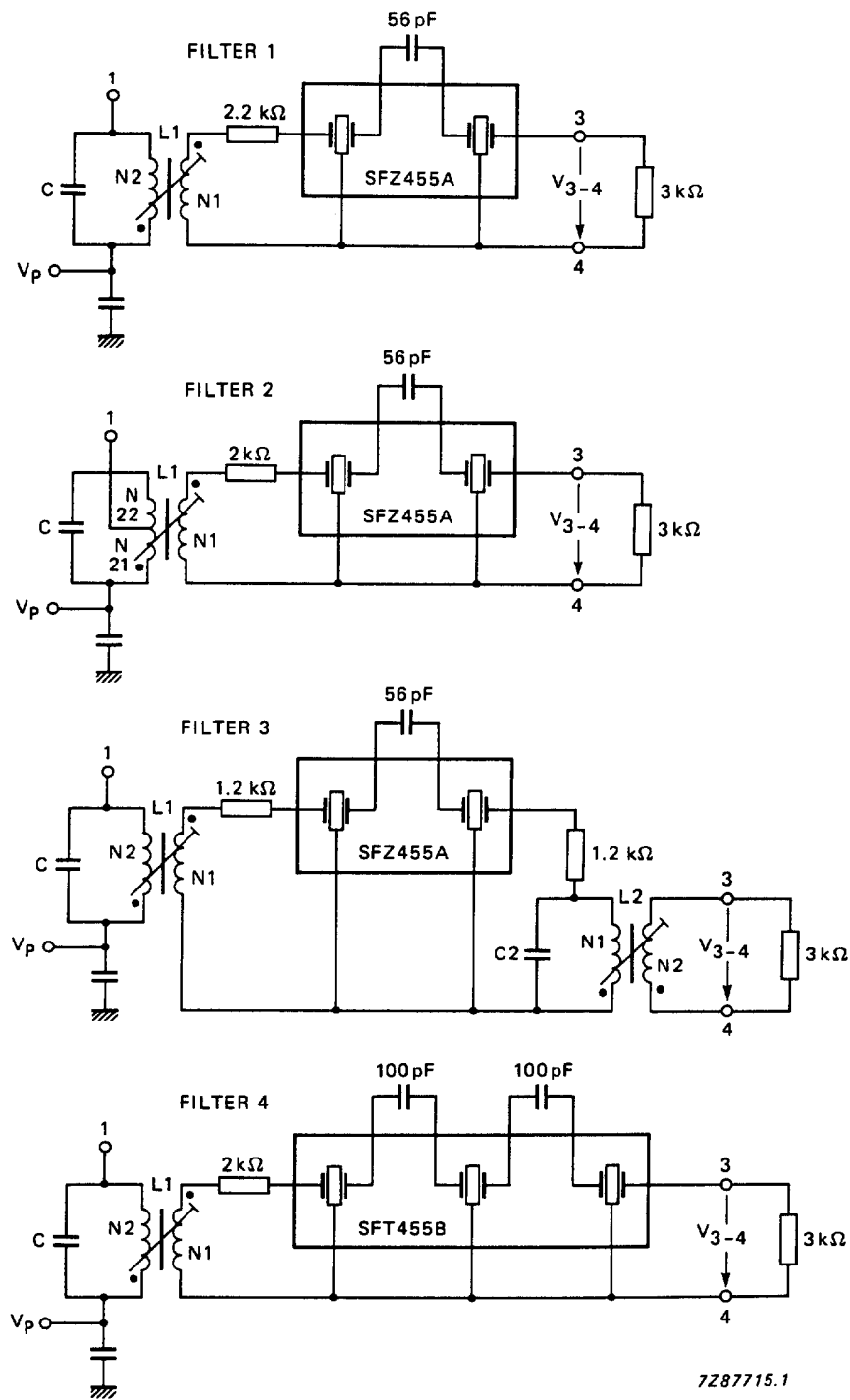


Fig.10 IF filter variants applied to the circuit of Fig.1. For filter data, refer to Table 1.

AM receiver

TDA1572T

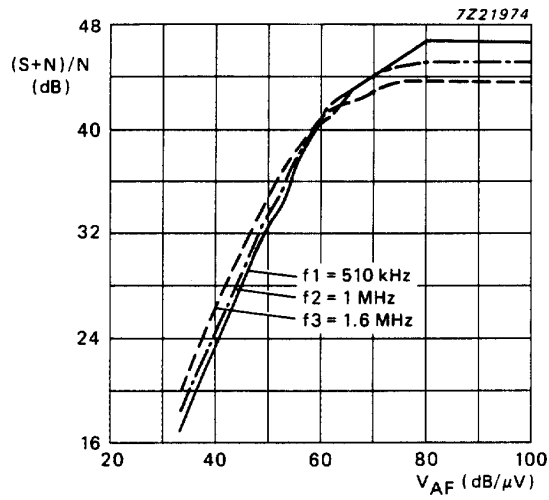


Fig.12 (S + N)/N as a function of input voltage; measured in the circuit of Fig.11 for AM stereo.

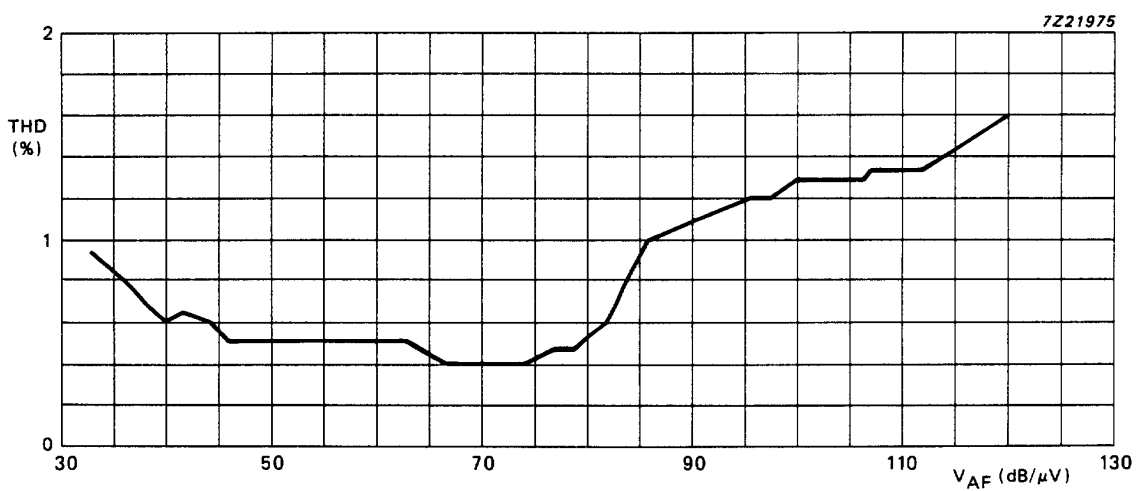


Fig.13 Total harmonic distortion (THD) as a function of input voltage; measured in the circuit of Fig.11 for AM stereo.

AM receiver

TDA1572T

Table 1 Data for IF filters shown in Fig.10 (Filter 1 to 4) and Fig.11 (Filter 5). Criteria for adjustment is IF = maximum (optimum selectivity curve at centre frequency $f_0 = 455$ kHz). Filter 5 is used for AM stereo application with centre frequency $f_0 = 450$ kHz.

FILTER NO.	1	2	3	4	5	UNIT
Coil data	L1	L1	L1 L2	L1	L1	
Value of C	3900	430	4700	3900	4700	pF
N1 : N2	12 : 32	13 : (33 + 66)	29 : 29	13 : 31	26 : 32	
Diameter of CU laminated wire	0.09	0.08	0.08	0.09	0.07	mm
Q _o	65 (typ.)	50	60	75	50	
Schematic* of windings						
Toko order no.	7XNS-A7523DY	L7PES-A0060BTG	(N1) (N2) 7XNS-A7518DY 7XNS-A7521AIH	7XNS-A7519DY		
Resonators						
Murata type	SFZ455A	SFZ455A	SFZ455A	SFT455B	SFH450F	
D (typical value)	4	4	4	6	6	dB
R _G , R _L	3	3	3	3	2	kΩ
Bandwidth (-3 dB)	4.2	4.2	4.2	4.5	10	kHz
S _{9kHz}	24	24	24	38		dB
Filter data						
Z _I	4.8	3.8	4.2	4.8	1.8	kΩ
Q _B	57	40	52 (L1) 18 (L2)	55	20	
Z _F	0.70	0.67	0.68	0.68	0.70	kΩ
Bandwidth (-3 dB)	3.6	3.8	3.6	4.0	10	kHz
S _{9kHz}	35	31	36	42		dB
S _{18kHz}	52	49	54	64		dB
S _{27kHz}	63	58	66	74		dB

* The beginning of an arrow indicates the beginning of a winding; N1 is always the inner winding, N2 the outer winding.

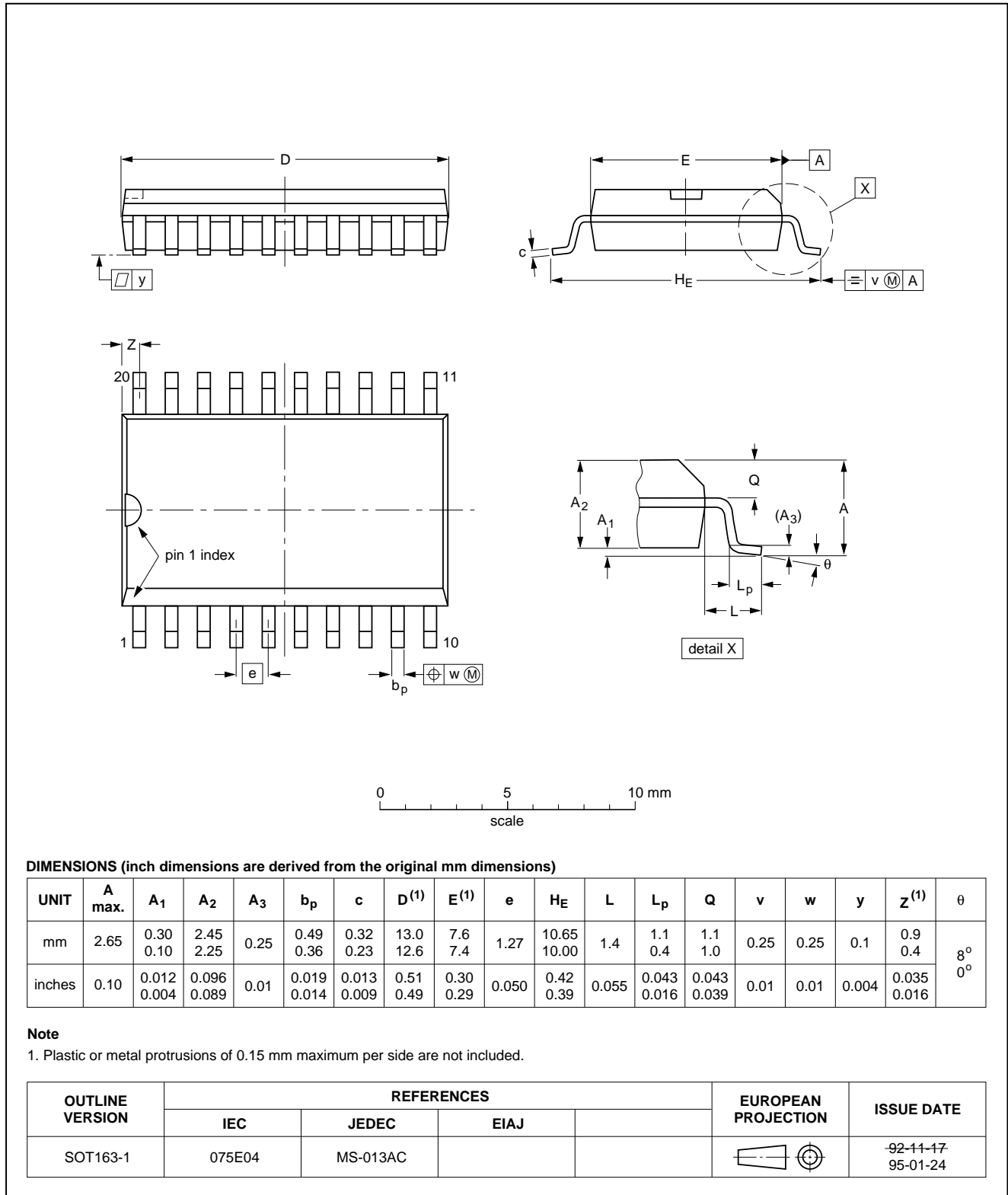
AM receiver

TDA1572T

PACKAGE OUTLINE

SO20: plastic small outline package; 20 leads; body width 7.5 mm

SOT163-1



AM receiver

TDA1572T

SOLDERING

Introduction

There is no soldering method that is ideal for all IC packages. Wave soldering is often preferred when through-hole and surface mounted components are mixed on one printed-circuit board. However, wave soldering is not always suitable for surface mounted ICs, or for printed-circuits with high population densities. In these situations reflow soldering is often used.

This text gives a very brief insight to a complex technology. A more in-depth account of soldering ICs can be found in our "*IC Package Databook*" (order code 9398 652 90011).

Reflow soldering

Reflow soldering techniques are suitable for all SO packages.

Reflow soldering requires solder paste (a suspension of fine solder particles, flux and binding agent) to be applied to the printed-circuit board by screen printing, stencilling or pressure-syringe dispensing before package placement.

Several techniques exist for reflowing; for example, thermal conduction by heated belt. Dwell times vary between 50 and 300 seconds depending on heating method. Typical reflow temperatures range from 215 to 250 °C.

Preheating is necessary to dry the paste and evaporate the binding agent. Preheating duration: 45 minutes at 45 °C.

Wave soldering

Wave soldering techniques can be used for all SO packages if the following conditions are observed:

- A double-wave (a turbulent wave with high upward pressure followed by a smooth laminar wave) soldering technique should be used.
- The longitudinal axis of the package footprint must be parallel to the solder flow.
- The package footprint must incorporate solder thieves at the downstream end.

During placement and before soldering, the package must be fixed with a droplet of adhesive. The adhesive can be applied by screen printing, pin transfer or syringe dispensing. The package can be soldered after the adhesive is cured.

Maximum permissible solder temperature is 260 °C, and maximum duration of package immersion in solder is 10 seconds, if cooled to less than 150 °C within 6 seconds. Typical dwell time is 4 seconds at 250 °C.

A mildly-activated flux will eliminate the need for removal of corrosive residues in most applications.

Repairing soldered joints

Fix the component by first soldering two diagonally-opposite end leads. Use only a low voltage soldering iron (less than 24 V) applied to the flat part of the lead. Contact time must be limited to 10 seconds at up to 300 °C. When using a dedicated tool, all other leads can be soldered in one operation within 2 to 5 seconds between 270 and 320 °C.

AM receiver

TDA1572T

DEFINITIONS

Data sheet status	
Objective specification	This data sheet contains target or goal specifications for product development.
Preliminary specification	This data sheet contains preliminary data; supplementary data may be published later.
Product specification	This data sheet contains final product specifications.
Limiting values	
Limiting values given are in accordance with the Absolute Maximum Rating System (IEC 134). Stress above one or more of the limiting values may cause permanent damage to the device. These are stress ratings only and operation of the device at these or at any other conditions above those given in the Characteristics sections of the specification is not implied. Exposure to limiting values for extended periods may affect device reliability.	
Application information	
Where application information is given, it is advisory and does not form part of the specification.	

LIFE SUPPORT APPLICATIONS

These products are not designed for use in life support appliances, devices, or systems where malfunction of these products can reasonably be expected to result in personal injury. Philips customers using or selling these products for use in such applications do so at their own risk and agree to fully indemnify Philips for any damages resulting from such improper use or sale.