

## 阅读申明

- 1.本站收集的数据手册和产品资料都来自互联网，版权归原作者所有。如读者和版权方有任何异议请及时告之，我们将妥善解决。
- 2.本站提供的中文数据手册是英文数据手册的中文翻译，其目的是协助用户阅读，该译文无法自动跟随原稿更新，同时也可能存在翻译上的不当。建议读者以英文原稿为参考以便获得更精准的信息。
- 3.本站提供的产品资料，来自厂商的技术支持或者使用者的心得体会等，其内容可能存在描述上的差异，建议读者做出适当判断。
- 4.如需与我们联系，请发邮件到marketing@iczoom.com，主题请标有“数据手册”字样。

## Read Statement

1. The datasheets and other product information on the site are all from network reference or other public materials, and the copyright belongs to the original author and original published source. If readers and copyright owners have any objections, please contact us and we will deal with it in a timely manner.
2. The Chinese datasheets provided on the website is a Chinese translation of the English datasheets. Its purpose is for reader's learning exchange only and do not involve commercial purposes. The translation cannot be automatically updated with the original manuscript, and there may also be improper translations. Readers are advised to use the English manuscript as a reference for more accurate information.
3. All product information provided on the website refer to solutions from manufacturers' technical support or users the contents may have differences in description, and readers are advised to take the original article as the standard.
4. If you have any questions, please contact us at marketing@iczoom.com and mark the subject with "Datasheets" .

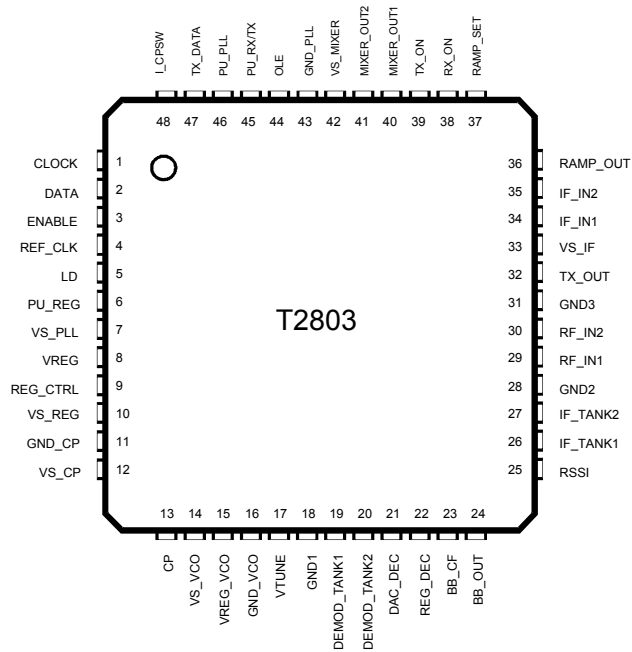


**Table 1.** Functional Block Description

Name	Description
AUX REG	Auxiliary voltage regulator
BBF	Baseband filter
CP	Charge pump
DAC	D/A converter for demodulator tuning
DEMOD	Demodulator
GF	Gaussian filter for transmit data
IF AMP1	1st intermediate frequency amplifier
IF AMP2	2nd intermediate frequency amplifier
IR MIXER	Image rejection mixer
PC	Programmable counter
PD	Phase detector
RAMP GEN	Ramp-signal generator
RC	Reference counter
RSSI	Received signal-strength indicator
TX DRIVER	Buffer amplifier for TX_OUT
TX/RX SWITCH	Switches VCO signal to IR MIXER respectively TX DRIVER
VCO	Voltage-controlled oscillator
VCO REG	Voltage regulator for VCO

## Pin Configuration

**Figure 2.** Pinning QFN48



## Pin Description

Pin	Symbol	Function	Configuration
1 2 3	CLOCK DATA ENABLE	3-wire-bus: Clock input 3-wire-bus: Data input 3-wire-bus: Enable input	
4	REF_CLK	Reference-frequency input	
5	LD	Lock-detect output	
6	PU_REG	Power-up input for auxiliary voltage regulator	

## Pin Description (Continued)

Pin	Symbol	Function	Configuration
7	VS_PLL	PLL supply voltage	
8	VREG	Auxiliary voltage-regulator output	
9	REG_CTRL	Auxiliary voltage-regulator control output	
10	VS_REG	Auxiliary voltage-regulator supply voltage	
11	GND_CP	Charge-pump ground	
12	VS_CP	Charge-pump supply voltage	
13	CP	Charge-pump output	

## Pin Description (Continued)

Pin	Symbol	Function	Configuration
14	VS_VCO	VCO voltage-regulator supply voltage	
15	VREG_VCO	VCO voltage-regulator control output	
16	GND_VCO	VCO ground	
17	VTUNE	VCO tuning voltage input	
18	GND1	Ground	

## Pin Description (Continued)

Pin	Symbol	Function	Configuration
19	DEMOD_TANK1	Demodulator tank circuit	
20	DEMOD_TANK2	Demodulator tank circuit	
21	DAC_DEC	Decoupling pin	
22	REG_DEC	Decoupling pin for VCO_REG	

## Pin Description (Continued)

Pin	Symbol	Function	Configuration
23	BB_CF	Baseband filter corner-frequency control input	
24	BB_OUT	Baseband filter output	
25	RSSI	Received signal strength indicator output	
26	IF_TANK1	IF tank circuit	
27	IF_TANK2	IF tank circuit	



## Pin Description (Continued)

Pin	Symbol	Function	Configuration
28	GND2	Ground	
29	RF_IN1	RF input of image reject mixer	
30	RF_IN2	RF input of image reject mixer	
31	GND3	Ground	

## Pin Description (Continued)

Pin	Symbol	Function	Configuration
32	TX_OUT	TX driver amplifier output for PA	
33	VS_IF	IF amplifier supply voltage	
34	IF_IN1	IF input of IF amplifier	
35	IF_IN2	IF input of IF amplifier	
36	RAMP_OUT	Ramp-generator output for PA power ramping	

## Pin Description (Continued)

Pin	Symbol	Function	Configuration
37	RAMP_SET	Slew-rate setting of ramping signal	
38	RX_ON	RX control input	
39	TX_ON	TX control input	
40	MIXER_OUT1	Mixer output to SAW filter	
41	MIXER_OUT2	Mixer output to SAW filter	

## Pin Description (Continued)

Pin	Symbol	Function	Configuration
42	VS_MIXER	Mixer supply voltage	
43	GND_PLL	PLL ground	
44	OLE	Open loop enable input	
45	PU_RX/TX	RX/TX power-up input	

## Pin Description (Continued)

Pin	Symbol	Function	Configuration
46	PU_PLL	PLL power-up input	
47	TX_DATA	TX data input of Gaussian filter	
48	I_CPSW	Charge-pump current control input	

## Functional Description

### Receiver

The RF signal at RF\_IN is fed to an image rejection mixer IR\_MIXER with its differential outputs MIXER\_OUT1 and MIXER\_OUT2 driving an IF-SAW filter at 110.592 MHz or 112.32 MHz. The IF\_AMP1 and IF\_AMP2 IF amplifiers with an external IF\_TANK and an integrated RSSI function feed the signal to the demodulator DEMOD working at  $f = f_{IF}/2$  ( $\approx 55$  MHz) and finally to an integrated baseband filter BB. For demodulator tuning in production an integrated 5-bit digital-to-analog (D/A) converter is provided to control the on-chip varicap diode.

### Transmitter

The transmit data at TX\_DATA is filtered by an integrated Gaussian Filter GF and fed to the fully integrated VCO operating at twice the output frequency. After modulation the signal is frequency-divided by 2 and fed via a TX/RX SWITCH to the TX\_DRIVER. This bus-controlled driver amplifier supplies typically +3 dBm output power at TX\_OUT. A ramp-signal generator RAMP\_GEN, providing a ramp signal at RAMP\_OUT for the external power amplifier, is integrated. The slope of the ramp signal is controlled by a capacitor at the RAMP\_SET pin.

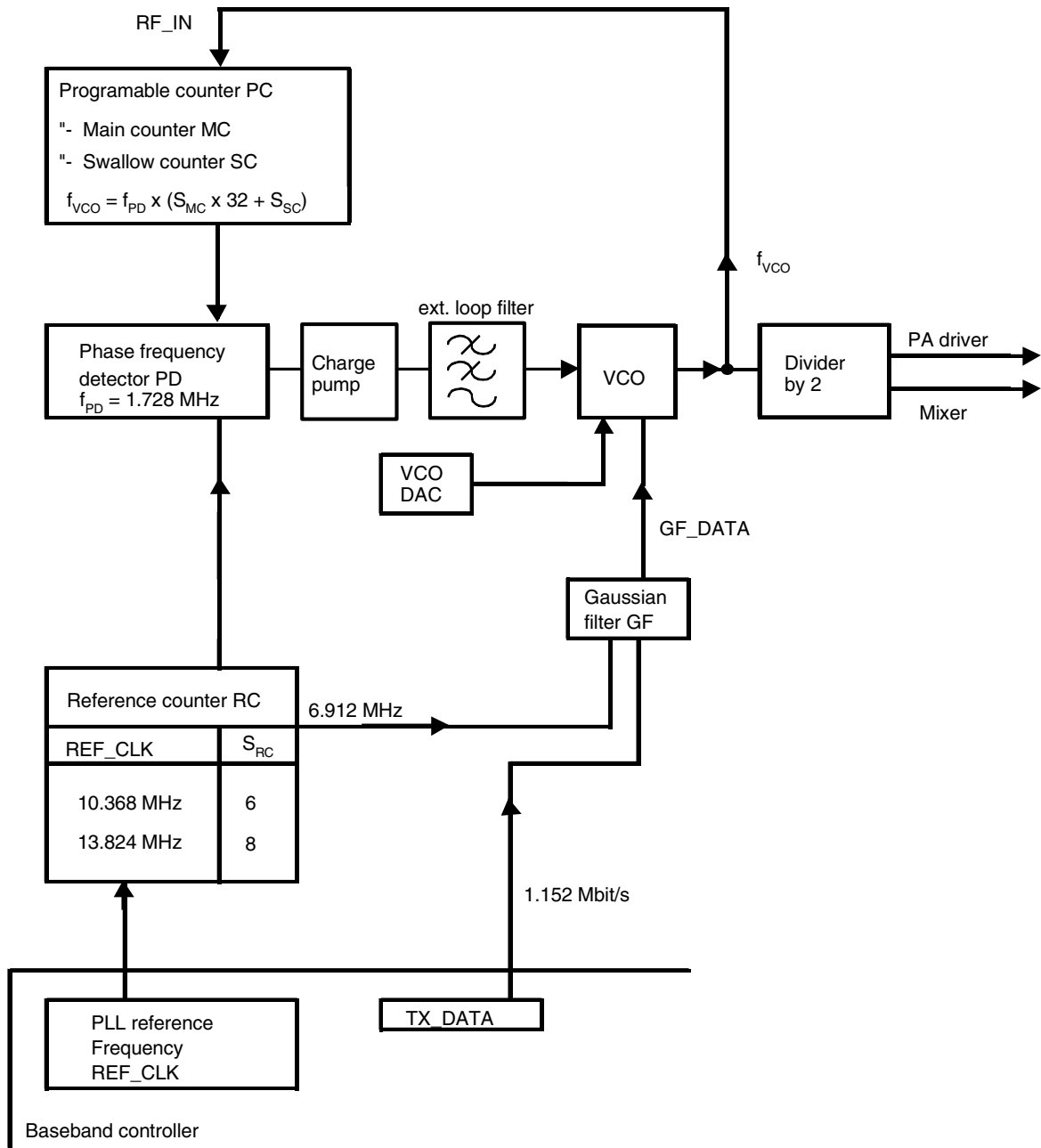
### Synthesizer

The IR\_MIXER, the TX\_DRIVER and the programmable counter PC are driven by the fully integrated VCO (including on-chip inductors and varactors). The output signal is frequency-divided to supply the desired frequency to the TX\_DRIVER, 0/90 degree phase shifter for the IR\_MIXER and to be used by the PC for the phase detector PD ( $f_{PD} = 1.728$  MHz). Open loop modulation is supported.

### Power Supply

An integrated bandgap-stabilized voltage regulator for use with an external low-cost PNP transistor is implemented. Multiple power-down and current saving modes are provided.

Figure 3. PLL Principle



The following table shows the LO frequencies for RX and TX for the DECT band plus additional channels for the extended DECT band. Intermediate frequencies of 110.592 MHz and 112.32 MHz are supported.

**Table 2.** LO Frequencies

Mode	$f_{IF}$ /MHz	Channel	$f_{ANT}$ /MHz	$f_{VCO}$ /MHz	$S_{MC}$	$S_{SC}$	N
TX	-	C0	2401.056	2401.056	86	27	2779
		C1	2401.920	2401.920	86	28	2780
		...	...	...	...	...	...
		C93	2481.408	2481.408	89	24	2872
		C94	2482.272	2482.272	89	25	2873
RX	110.592 (for 10.368 MHz REF_CLK recommended)	C0	2401.056	2290.464	82	27	2651
		C1	2401.920	2291.328	82	28	2652
		...	...	...	...	...	...
		C93	2481.408	2370.816	85	24	2744
		C94	2482.272	2371.680	85	25	2745
RX	112.320 (for 13.824 MHz REF_CLK recommended)	C0	2401.056	2288.736	82	25	2649
		C1	2401.920	2289.600	82	26	2650
		...	...	...	...	...	...
		C93	2481.408	2369.088	85	22	2742
		C94	2482.272	2369.952	85	23	2743

**Formula**

TX:  $f_{ANT} = f_{VCO} = 864 \text{ kHz} \times (32 \times S_{MC} + S_{SC})$

RX:  $f_{ANT} = 864 \text{ kHz} \times (32 \times S_{MC} + S_{SC}) + f_{IF}$

## Control Signals

**Table 3.** Control Signals — Functions

Signal	Functions
I_CPSW	Charge pump current control
PU_REG	Activates AUX voltage regulator supplying the complete transceiver
PU_RX/TX	Activates RX/TX blocks
PU_PLL	Activates PLL circuits: PC, PD, CP, RC, VCO
RX_ON	Activates RX circuits: BBF, DEMOD, IF AMP, IR MIXER
TX_ON	Activates TX circuits: TX-DRIVER, RAMP GEN, Starts RAMP SIGNAL at RAMP OUT
OLE	Activates open loop mode of the PLL
Data Word 1, Bit D0	Activates GF



**Table 4.** Control Signals — Modes

Modes	TX Mode	RX Mode	RSSI Only
PU_REG	1	1	1
PU_VCO	1	1	1
PU_RX/TX	1	1	1
PU_PLL	1	1	1
RX_ON	0	1	1
TX_ON	1	0	1
BB filter	OFF	ON	OFF
Demodulator	OFF	ON	OFF
IF amplifiers and RSSI	OFF	ON	ON
IR mixer	OFF	ON	ON
RX switch	OFF	ON	ON
TX switch	ON	OFF	OFF
TX driver	ON	OFF	OFF
Ramp generator	ON	OFF	OFF
Programmable counter	ON	ON	ON
Voltage-controlled oscillator	ON	ON	ON
Gaussian filter	ON	OFF	OFF
Phase detector/charge pump	ON	ON	ON
Reference counter	ON	ON	ON
Typical current consumption at $V_S = 3.2\text{ V}$	56 mA	85 mA	82 mA

## Serial Programming Bus

The transceiver is programmed by the 3-wire bus (CLOCK, DATA and ENABLE).

After setting enable signal to low condition, on the rising edge of the clock signal, the data is transferred bit by bit into the shift register, starting with the MSB-bit. When the enable signal has returned to high condition, the programmed information is loaded into the addressed latches according to the address bit condition (last bit). Additional leading bits are ignored and there is no check made how many pulses arrived during enable low condition. During enable low condition, the bus current is increased to speed up the bus logic.

The programming of the transceiver is separated into two data words. Data word 1 controls mainly the channel information together with settings, which are closely related with the channel. Data word 2 holds setup information, which is adjusted during production.

## Data Word 1

MSB																					LSB		
Data bits																					Address bit		
D22	D21	D20	D19	D18	D17	D16	D15	D14	D13	D12	D11	D10	D9	D8	D7	D6	D5	D4	D3	D2	D1	D0	A0
RC	SC					MC			VS	x	0	GFCS			0	0	0	0	CPCS		GF	1	

D11 = x: do not care

## Data Word 2

E12	E11	E10	E9	E8	E7	E6	E5	E4	E3	E2	E1	E0	A0
PA		DEMODOC/RAMPDAC					x	x	x	TEST			0

E3, E4, E5 = x: do not care

## Data Word 1 Programs

### PLL Settings

With the Reference Counter bits D21 - D21

RC (Reference Counter)		
D22	S <sub>RC</sub>	REF_CLK
0	6	10.368 MHz
1	8	13.824 MHz

With the Main Counter bits D13 - D16

MC (Main Counter)				
D16	D15	D14	D13	S <sub>MC</sub>
0	0	0	0	80
0	0	0	1	81
...	...	...	...	...
1	1	1	0	94
1	1	1	1	95

With the Swallow Counter bits D16 - D20

SC (Swallow Counter)					
D21	D20	D19	D18	D17	S <sub>SC</sub>
0	0	0	0	0	0
0	0	0	0	1	1
0	0	0	1	0	2
...	...	...	...	...	...
1	1	1	0	1	29
1	1	1	1	0	30
1	1	1	1	1	31

### VCO Selection

With bit D12

VCO Selection	
D12	VCO Mode
0	VCO 1
1	VCO 2

### Gaussian Filter On/off

With bit D0

GF is used only in TX mode.

D0	GF (Gaussian Filter)
0	OFF
1	ON

### GFCS Adjustment

With bits D7 - D9

Only in TX mode effective for setting the frequency deviation of the modulation.

GFCS (Gaussian Filter Settings)			
D9	D8	D7	GFCS
0	0	0	60%
0	0	1	70%
0	1	0	80%
0	1	1	90%
1	0	0	100%
1	0	1	110%
1	1	0	120%
1	1	1	130%

### CPCS Adjustment

With bits D1 - D2

Used to adjust the charge pump current. This can be used to compensate the change of the tuning sensitivity over frequency and device tolerances.

CPCS (Charge-Pump Current Settings)		
D2	D1	CPCS
0	0	-1
0	1	0
1	0	1
1	1	2

## Data Word 2 Programs

### DEMODODAC Adjustment

With bits E6 - E10

Only in RX mode effective. Used to tune the demodulator center frequency and allows to compensate tolerances of external components and the T2803.

Demod DAC Voltage					
E10	E9	E8	E7	E6	$f_{IFcenter}$ %
0	0	0	0	0	-5
0	0	0	0	1	...
0	0	0	1	0	...
...	...	...	...	...	...
1	1	1	0	1	...
1	1	1	1	0	...
1	1	1	1	1	5

### RAMPDAC Adjustment for TX Mode

With bits E6 - E10

Only in TX mode effective. Used to control the power of the external PA by adjusting the ramping voltage.

RAMPDAC Voltage (at Pin 36 RAMP_OUT)					
E10	E9	E8	E7	E6	$V_{RAMP\_OUT}$
0	0	0	0	0	1.1 V
0	0	0	0	1	...
0	0	0	1	0	...
...	...	...	...	...	...
1	0	1	1	1	1.68 V
1	1	0	0	0	1.7 V
...	...	...	...	...	...
1	1	1	1	0	...
1	1	1	1	1	1.7 V

### TEST Mode Settings

With bits E0 - E2

In normal operation Lock detect output is used. All other settings are for test only.

E2	E1	E0	Signal at Lock Detect Output	CP Mode
0	0	0	Lock detect	Active
0	0	1	PC out/2	Active
0	1	0	RC out/2	Active
0	1	1	do not care	Active
1	0	0	Lock detect	Active
1	0	1	PC out/2	Active
1	1	0	RC out/2	Active
1	1	1	GFTEST: RC out	Active

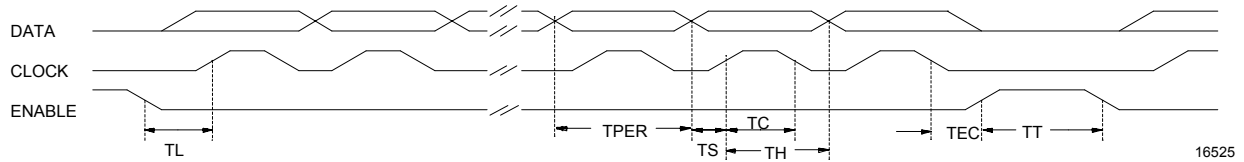
## Output Power Settings

With bits E11 - E12

Use of maximum power (+3 dBm) for external PA is recommended.

PA (Output Power Settings)		
E12	E11	PA
0	0	-21 dBm
0	1	-11 dBm
1	0	-4 dBm
1	1	+3 dBm

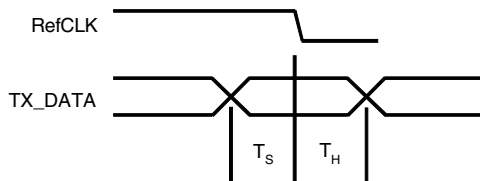
**Figure 4.** 3-wire Bus Protocol Timing Diagram



**Table 5.** 3-wire bus Protocol Table

Description	Symbol	Minimum Value	Unit
Clock period	TPER	125	ns
Set time data to clock	TS	60	ns
Hold time data to clock	TH	60	ns
Clock pulse width	TC	125	ns
Set time enable to clock	TL	200	ns
Hold time enable to data	TEC	0	ns
Time between two protocols	TT	250	ns

**Figure 5.** TX DATA Timing



Set-up time TX DATA	TS	> 8 ns
Hold time TX DATA	TH	> 8 ns

When using REFCLK = 10.368 MHz, TS and TH must be considered for falling and rising edge of REFCLK

## Absolute Maximum Ratings

Stresses beyond those listed under “Absolute Maximum Ratings” may cause permanent damage to the device. This is a stress rating only and functional operation of the device at these or any other conditions beyond those indicated in the operational sections of this specification is not implied. Exposure to absolute maximum rating conditions for extended periods may affect device reliability.

All voltages refer to GND

Parameters	Pin	Symbol	Min.	Max.	Unit
Supply voltage regulator	10	$V_{S\_REG}$	3.2	4.7	V
Supply voltage	7, 12, 14, 33, 42	$V_S$	3.0	4.7	V
Logic input voltage	1, 2, 3, 38, 39, 44-48	$V_{IN}$	-0.3	$V_S$	V
Junction temperature		$T_{jmax}$		150	°C
Storage temperature		$T_{stg}$	-40	150	°C

## Thermal Resistance

Parameters	Symbol	Value	Unit
Junction ambient	$R_{thJA}$	25	K/W

## Handling

Do not operate this part near strong electrostatic fields. This IC meets class 1 ESD test requirement (HBM in accordance to EIA/JESD22-A114-A (October 97) and class A ESD test requirement (MM) in accordance to EIA/JESD22-A115A.

## Operating Range

Parameters	Pin	Symbol	Min.	Typ.	Max.	Unit
Supply voltage regulator	10	$V_{S\_REG}$	3.2	3.6	4.6	V
Supply voltage	7, 14, 33, 42	$V_S$	2.9	3.0	4.6	V
Supply voltage charge pump	12	$V_{SCP}$	$V_S$		4.6	V
Ambient temperature		$T_{amb}$	-10		+60	°C

## Electrical Characteristics

Test conditions (unless otherwise specified):  $V_{S\_REG} = 3.2$  V,  $T_{amb} = 25^\circ\text{C}$

Parameters	Test Conditions/Pins	Symbol	Min.	Typ.	Max.	Unit
<b>IR Mixer (Pins 29, 30, 40 and 41)</b>						
Input impedance	Pins 29 or 30 (single ended)	$Z_{in}$		$110 + j12$		$\Omega$
Image rejection ratio	Pins 40 and 41	IRR		20		dB
DSB noise figure	Pins 29 or 30 (single ended)	NFDSB= NFSSB		10		dB
Conversion gain	$R_{load} = 200 \Omega$	$G_{conv}$		11		dB
Input intercept point	Pins 29 or 30 (single ended)	IIP3		-7		dBm
Output impedance	Pin 40 and 41 (differential)	$Z_{OUT}$		$175 + j145$		$\Omega$

## Electrical Characteristics (Continued)

Test conditions (unless otherwise specified):  $V_{S\_REG} = 3.2\text{ V}$ ,  $T_{amb} = 25^\circ\text{C}$

Parameters	Test Conditions/Pins	Symbol	Min.	Typ.	Max.	Unit
<b>IF Amplifier (Pins 26, 27, 34 and 35)</b>						
Input impedance	Pins 34 and 35 (differential)	$Z_{in}$		1200 - j480		$\Omega$
Lower cut-off frequency		$f_{l3dB}$		90		MHz
Upper cut-off frequency		$f_{u3dB}$		130		MHz
Power gain		Gp		85		dB
Bandwidth of external tank circuit	Pins 26 and 27	BW3dB		10		MHz
Noise figure		NF		9		dB
<b>RSSI (Pins 25, 34 and 35)</b>						
RSSI sensitivity	At IF_IN1,2; pins 34 and 35	$P_{min}$		20		dB $\mu$ V
RSSI compression	At IF_IN1,2; pins 34 and 35	$P_{max}$		100		dB $\mu$ V
RSSI dynamic range		DR		80		dB
RSSI resolution	Slope of the RSSI has to be steady	Acc		$\pm 2$		dB
RSSI rise time	$P_{in} = 30$ to 100 dB $\mu$ V, pin 25	$t_r$		1		$\mu$ s
RSSI fall time	$P_{in} = 100$ to 30 dB $\mu$ V, pin 25	$t_f$		1		$\mu$ s
Quiescent output voltage	At $P_{in} < 20$ dB $\mu$ V at IF_IN1, IF_IN2, pin 25	$V_{out}$		0.4		V
Maximum output voltage	At $P_{in} = 100$ dB $\mu$ V at IF_IN1, IF_IN2, pin 25	$V_{out}$		1.9		V
<b>FM Demodulator, BB-filter (Pins 19, 20, 23 and 24)</b>						
Co-channel rejection ratio	at $P_{in} = -75$ dBm at IR-mixer input	CCRR		10		dB
Sensitivity	Quality factor of external tank circuit approximately 20, $f_{res} = F_{IF}/2$ , pin 24	S		0.5		V/MHz
Amplitude of recovered signal	Nominal deviation of signal $\pm 400$ kHz, pin 24	A		450		mVpp
Corner frequency	Pin 23: C = 68 pF	$f_c$		680		kHz
Output voltage DC range	Pin 24	$V_{outDC}$	1		$V_S - 1$	V
DEMOD_DAC range	(see bus protocol E6 to E10)	$\Delta f_{IFcenter}$		$\pm 5$		%
<b>VCOs</b>						
Frequency range	VCO 1, D12 VS = 1 VCO 2, D12 VS = 0	$f_{vco}$ $f_{vco}$	2289 2289		2483 2483	MHz MHz
Tuning gain		$G_{tune}$		200		MHz/V
Frequency control voltage range	Pin 17	$V_{tune}$	0.4		2.8	V
<b>PLL</b>						
Scaling factor prescaler		$S_{PSC}$		32/33		
Scaling factor main counter		$S_{MC}$		82 - 89		
Scaling factor swallow counter		$S_{SC}$	0		31	
External reference input frequency	AC coupled sinewave, pin 4	$f_{REF\_CLK}$		10.368 13.824		MHz MHz
External reference input voltage	AC coupled sinewave, pin 4	$V_{REF\_CLK}$	50		250	mV $_{RMS}$
Scaling factor reference counter		$S_{RC}$		6/8		

## Electrical Characteristics (Continued)

Test conditions (unless otherwise specified):  $V_{S\_REG} = 3.2\text{ V}$ ,  $T_{amb} = 25^\circ\text{C}$

Parameters	Test Conditions/Pins	Symbol	Min.	Typ.	Max.	Unit
<b>Charge Pump (Pin 13)</b>						
Output current	$V_{CP} = V_{VS\_CP}/2$ , $I_{CPSW} = '1'$ Pin 48	$I_{CP\_nom}$		±7.5		mA
Output current	$V_{CP} = V_{VS\_CP}/2$ , $I_{CPSW} = '0'$ Pin 48	$I_{CP\_nom}$		±1.2		mA
Current scaling	$I_{CP} = I_{CP\_nom} + CPCS \times I_{CP\_step}$ (see bus protocol D1 ... D2)	$I_{CP\_step}$		0.2		mA
Leakage current	OLE = '1'	$I_L$		±100		pA
<b>Gaussian Transmit Filter (Gaussian Shape B × T = 0.5)</b>						
Tx data rate				1152		kBit/s
Tx data filter clock	6 taps in filter	$f_{TXFCLK}$		6.912		MHz
Frequency deviation		$GF_{FM\_nom}$		±400		kHz
Frequency deviation scaling	$GF_{FM} = GF_{FM\_nom} \times GFCS$ (see bus protocol D7 ... D9)	GFCS	60		130	%
<b>TX Driver (Pin 32)</b>						
Maximum output power	At L = 5.6 nH, pin 32 (see bus protocol E11 - E12)	$P_{TX}$		3		dBm
Minimum output power	At L = 5.6 nH, pin 32 (see bus protocol E11 - E12)	$P_{TX}$		-21		dBm
RF leakage	In RX mode	$P_{leak}$			-47	dBm
Output impedance	At L = 5.6 nH, 2.5 GHz, pin 32	$Z_{OUT}$		13+j40		$\Omega$
<b>Ramp Generator (Pins 36 and 37)</b>						
Minimum output voltage		$V_{min}$		0.7		V
Maximum output voltage	(see bus protocol E6 - E10)	$V_{max}$	1.1		1.8	V
Rise time	$C_{ramp} = 270\text{ pF}$ at pin 37	$t_r$		5		$\mu\text{s}$
Fall time	$C_{ramp} = 270\text{ pF}$ at pin 37	$t_f$		5		$\mu\text{s}$
<b>Lock Detect and Test Mode Output (Pin 5)</b>						
Lock detect output, test mode output	Locked = '1', unlocked = '0' Test modes (see bus protocol E0 ... E2)	LD				
Leakage current	$V_{OH} = 4.6\text{ V}$	$I_L$			5	$\mu\text{A}$
Saturation voltage	$I_{OL} = 0.5\text{ mA}$	$V_{SL}$			0.4	V
<b>Auxiliary Regulator (Pins 8, 9 and 10)</b>						
Output voltage	$V_{SREG} = 3\text{ V}$ , pin 8	$V_{REG}$	2.9	3.0	3.1	V
<b>VCO Regulator (Pins 14, 15 and 12)</b>						
Output voltage	$V_{SVCO} = 3\text{ V}$ , pin 15	$V_{REG\_VCO}$	2.6	2.7	2.8	V
<b>3-wire Bus</b>						
Clock		$f_{Clock}$			6.912	MHz
<b>Logic Input Levels (CLOCK, DATA, ENABLE, RX_ON, TX_ON, OLE, TX_DATA, DATA_HOLD) (Pins 1, 2, 3, 38, 39, 44, 47 and 48)</b>						
High input level	= '1'	$V_{IH}$	1.5			V
Low input level	= '0'	$V_{IL}$			0.5	V

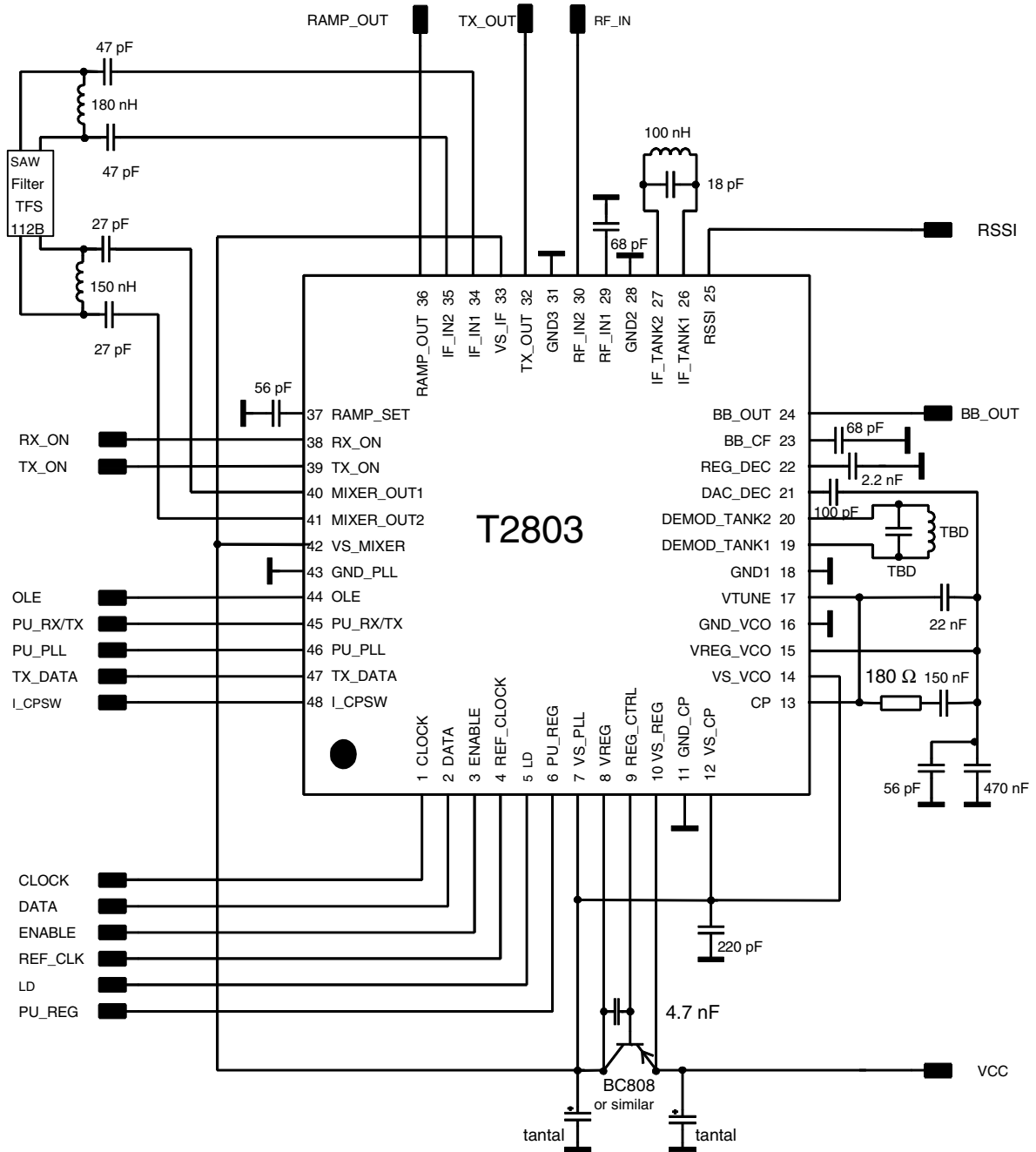


## Electrical Characteristics (Continued)

Test conditions (unless otherwise specified):  $V_{S\_REG} = 3.2\text{ V}$ ,  $T_{amb} = 25^\circ\text{C}$

Parameters	Test Conditions/Pins	Symbol	Min.	Typ.	Max.	Unit
High input current	= '1'	$I_{IH}$	-5		5	$\mu\text{A}$
Low input current	= '0'	$I_{iL}$	-5		5	$\mu\text{A}$
<b>Standby Control (Pins 6, 45 and 46)</b>						
<b>Power Up</b> PU_REG = '1' PU_RX/TX = '1' PU_PLL = '1' High input level	Pin 6 Pin 45 Pin 46	$V_{PU\_REG}$ $V_{PU\_RX/TX}$ $V_{PU\_PLL}$	2.0			V
<b>Standby</b> PU_REG = '0' PU_RX/TX = '0' PU_PLL = '0' Low input level	Pin 6 Pin 45 Pin 46	$V_{PU\_REG,OFF}$ $V_{PU\_RX/TX,OFF}$ $V_{PU\_PLL,OFF}$			0.7	V
<b>Power Up</b> PU_REG = '1' PU_RX/TX = '1'	$V_{PU} = 3\text{ V}$ , pin 6 $V_{PU} = 4.6\text{ V}$ , pin 45	$I_{PU\_REG}$ $I_{PU\_RX/TX}$	20 60	30 80	40 100	$\mu\text{A}$ $\mu\text{A}$
PU_PLL = '1' High input current	$V_{PU} = 3\text{ V}$ , pin 46 $V_{PU} = 4.6\text{ V}$	$I_{PU\_PLL}$	100 200	125 300	150 400	$\mu\text{A}$ $\mu\text{A}$
<b>Standby</b> PU_xxxx = '0' Low input current	$V_{PU} = 0\text{ V}$ , pin 6 $V_{PU} = 0.5\text{ V}$ , pins 45, 46	$I_{PU,OFF}$			0.1 1	$\mu\text{A}$ $\mu\text{A}$
<b>Settling Time</b> $V_S = 0 \rightarrow$ active operation	Switched from $V_S = 0$ to $V_S = 3\text{V}$	$t_{soa}$		< 10		$\mu\text{s}$
<b>Settling Time</b> standby $\rightarrow$ active operation	Switched from PU = '0' to PU = '1'	$t_{ssa}$		< 10		$\mu\text{s}$
<b>Settling Time</b> active operation $\rightarrow$ standby	Switched from PU = '1' to standby	$t_{sas}$		< 2		$\mu\text{s}$
<b>Power Supply (Pins 7, 10, 12, 14, 33 and 42)</b>						
Total supply current	RX	$I_S$		85		mA
	RSSI only	$I_S$		82		mA
	TX	$I_S$		54		mA
	TX (GF active)	$I_S$		56		mA
Standby current	PU_RX/TX = GND	$I_S$			10	$\mu\text{A}$
Supply current CP	$V_{VS\_CP} = 3\text{ V}$ , PLL in lock condition, Pin 13	$I_{CP}$		1		$\mu\text{A}$

Figure 6. Typical Application Circuit



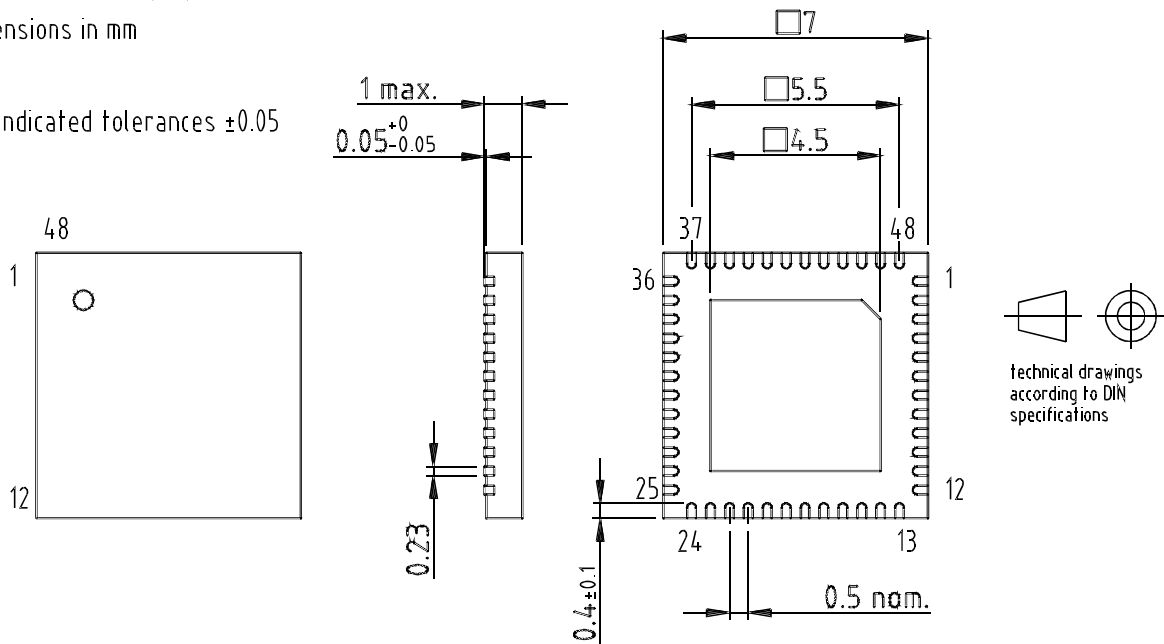
## Ordering Information

Extended Type Number	Package	Remarks	MOQ
T2803-PLQ	QFN48	Taped and reeled	4000 pcs.
T2803-PLS	QFN48	Tube	430 pcs.

## Package Information

Package: QFN 48 - 7x7  
 Exposed pad 4.5x4.5  
 (acc. JEDEC OUTLINE No. MO-220)  
 Dimensions in mm

Not indicated tolerances  $\pm 0.05$



Drawing-No.: 6.543-5089.01-4  
 Issue: 2; 24.01.03



## Atmel Corporation

2325 Orchard Parkway  
San Jose, CA 95131, USA  
Tel: 1(408) 441-0311  
Fax: 1(408) 487-2600

## Regional Headquarters

### Europe

Atmel Sarl  
Route des Arsenalux 41  
Case Postale 80  
CH-1705 Fribourg  
Switzerland  
Tel: (41) 26-426-5555  
Fax: (41) 26-426-5500

### Asia

Room 1219  
Chinachem Golden Plaza  
77 Mody Road Tsimshatsui  
East Kowloon  
Hong Kong  
Tel: (852) 2721-9778  
Fax: (852) 2722-1369

### Japan

9F, Tonetsu Shinkawa Bldg.  
1-24-8 Shinkawa  
Chuo-ku, Tokyo 104-0033  
Japan  
Tel: (81) 3-3523-3551  
Fax: (81) 3-3523-7581

## Atmel Operations

### Memory

2325 Orchard Parkway  
San Jose, CA 95131, USA  
Tel: 1(408) 441-0311  
Fax: 1(408) 436-4314

### Microcontrollers

2325 Orchard Parkway  
San Jose, CA 95131, USA  
Tel: 1(408) 441-0311  
Fax: 1(408) 436-4314

La Chantrerie  
BP 70602  
44306 Nantes Cedex 3, France  
Tel: (33) 2-40-18-18-18  
Fax: (33) 2-40-18-19-60

### ASIC/ASSP/Smart Cards

Zone Industrielle  
13106 Rousset Cedex, France  
Tel: (33) 4-42-53-60-00  
Fax: (33) 4-42-53-60-01

1150 East Cheyenne Mtn. Blvd.  
Colorado Springs, CO 80906, USA  
Tel: 1(719) 576-3300  
Fax: 1(719) 540-1759

Scottish Enterprise Technology Park  
Maxwell Building  
East Kilbride G75 0QR, Scotland  
Tel: (44) 1355-803-000  
Fax: (44) 1355-242-743

### RF/Automotive

Theresienstrasse 2  
Postfach 3535  
74025 Heilbronn, Germany  
Tel: (49) 71-31-67-0  
Fax: (49) 71-31-67-2340

1150 East Cheyenne Mtn. Blvd.  
Colorado Springs, CO 80906, USA  
Tel: 1(719) 576-3300  
Fax: 1(719) 540-1759

### Biometrics/Imaging/Hi-Rel MPU/ High Speed Converters/RF Datacom

Avenue de Rochepleine  
BP 123  
38521 Saint-Egreve Cedex, France  
Tel: (33) 4-76-58-30-00  
Fax: (33) 4-76-58-34-80

---

*Literature Requests*  
[www.atmel.com/literature](http://www.atmel.com/literature)

**Disclaimer:** Atmel Corporation makes no warranty for the use of its products, other than those expressly contained in the Company's standard warranty which is detailed in Atmel's Terms and Conditions located on the Company's web site. The Company assumes no responsibility for any errors which may appear in this document, reserves the right to change devices or specifications detailed herein at any time without notice, and does not make any commitment to update the information contained herein. No licenses to patents or other intellectual property of Atmel are granted by the Company in connection with the sale of Atmel products, expressly or by implication. Atmel's products are not authorized for use as critical components in life support devices or systems.

© Atmel Corporation 2004. All rights reserved.

Atmel® and combinations thereof are the registered trademarks of Atmel Corporation or its subsidiaries.

Other terms and product names may be the trademarks of others.



Printed on recycled paper.

4572G-DECT-01/04