

阅读申明

- 1.本站收集的数据手册和产品资料都来自互联网，版权归原作者所有。如读者和版权方有任何异议请及时告之，我们将妥善解决。
- 2.本站提供的中文数据手册是英文数据手册的中文翻译，其目的是协助用户阅读，该译文无法自动跟随原稿更新，同时也可能存在翻译上的不当。建议读者以英文原稿为参考以便获得更精准的信息。
- 3.本站提供的产品资料，来自厂商的技术支持或者使用者的心得体会等，其内容可能存在描述上的差异，建议读者做出适当判断。
- 4.如需与我们联系，请发邮件到marketing@iczoom.com，主题请标有“数据手册”字样。

Read Statement

1. The datasheets and other product information on the site are all from network reference or other public materials, and the copyright belongs to the original author and original published source. If readers and copyright owners have any objections, please contact us and we will deal with it in a timely manner.
2. The Chinese datasheets provided on the website is a Chinese translation of the English datasheets. Its purpose is for reader's learning exchange only and do not involve commercial purposes. The translation cannot be automatically updated with the original manuscript, and there may also be improper translations. Readers are advised to use the English manuscript as a reference for more accurate information.
3. All product information provided on the website refer to solutions from manufacturers' technical support or users the contents may have differences in description, and readers are advised to take the original article as the standard.
4. If you have any questions, please contact us at marketing@iczoom.com and mark the subject with "Datasheets" .

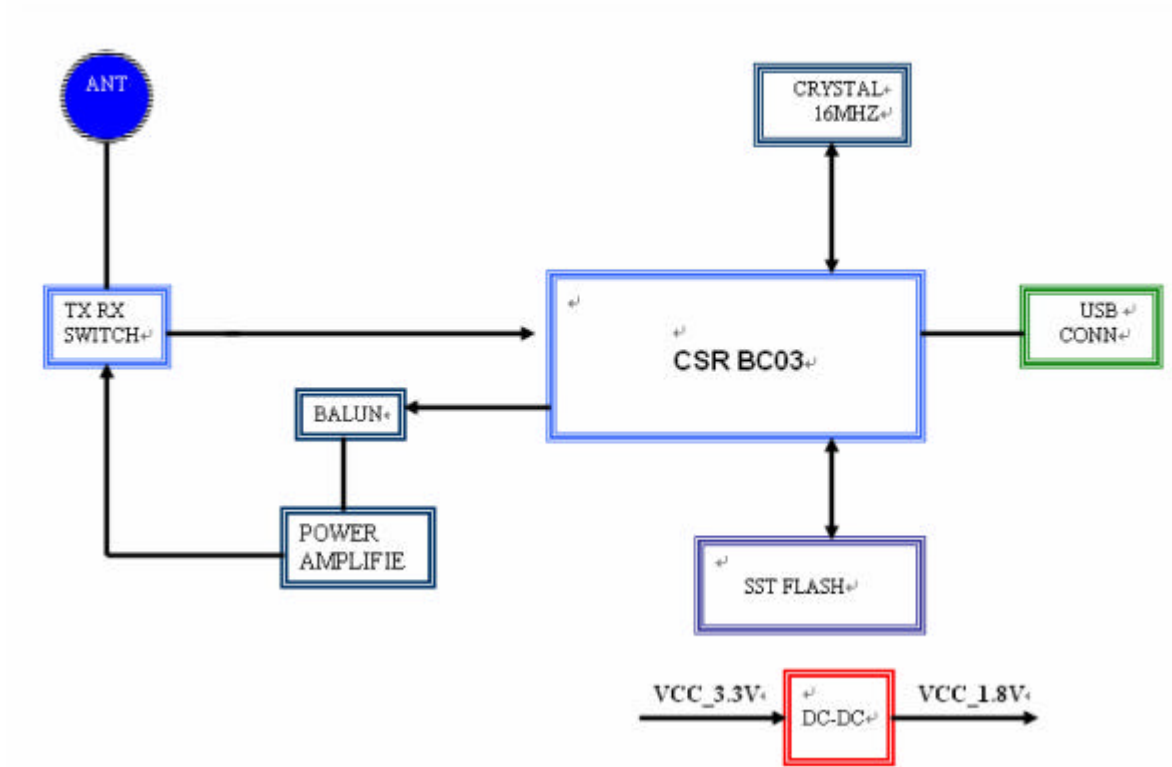
1.1 RN-31 Pin List and Description

Pin No.	Name	Type	Note	Pin No.	Name	Type	SPP use
1	Ground			34	Ground		
2	NC			33	RF_OUT	Out	
3	Ground			32	Ground		
4	TestA		Analog AD0	31	PIO0	In/Out	available
5	TestB		Analog AD1	30	PIO1	In/Out	available
6	Reset	Input	Active HIGH	29	PIO2	In/Out	connect
7	SPI_MISO		programming	28	PIO3	In/Out	Auto-pair
8	SPI_CSB		programming	27	PIO4	In/Out	Factory reset
9	SPI_CLK		programming	26	PIO5	In/Out	Status LED
10	SPI_MOSI		programming	25	PIO6	In/Out	Auto master
11	UART_CTS	Input		24	PIO7	In/Out	baudrate
12	UART_TX	Out		23	USB-	In/Out	
13	UART_RTS	Out		22	USB+	In/Out	
14	UART_RX	Input		21	PCM_CLK	In/Out	
15	VCC_1.8V	Out		20	PCM_IN	In	
16	VCC_3.3V	Input		19	PCM_SYNC	In/Out	
17	Ground			18	PCM_OUT	Out	
35	PIO8	In/Out		37	PIO10	In/Out	
36	PIO9	In/Out		38	PIO11	In/Out	

Audio Interface

Pin No.	Name	Type	Note	Pin No.	Name	Type	Note
39	SPKR-RP	OUT		43	MIC2-P	IN	
40	SPKR-RN	OUT		44	MIC2-N	IN	
41	SPKR-LN	OUT		45	MIC1-N	IN	
42	SPKR-LP	OUT		46	MIC1-P	IN	

Fig 1.3 RN-31 Block Diagram



1.4 RN-31 Electrical Characteristics

	Min	Typ.	Max.	Unit
Supply Voltage	3.0	3.3	3.6	V
RX Supply Current	20	32	35	mA
TX Supply Current	-	65	75	mA
Idle Supply Current	-	1	-	mA
Sleep Supply Current	-	90	-	uA
Storage Temperature	-20	-	+85	°C

1.4.2 RN-31 Operating Conditions

Voltage Range	3.3V±0.3V
Operating Temperature Range	-20 °C ~ 60 °C
Storage Temperature Range	-20 °C ~ 80 °C
Relative Humidity (Operating/Storage)	≤90%

1.5 RN-31 Radio Characteristics

	Freq(GHz)	Min	Typ	Max	BT Spec.	Unit
Sensitivity at 0.1%BER	2.402	-	-80	-86	≤ -70	dBm
	2.441	-	-80	-86		dBm
	2.480	-	-80	-86		dBm
RF Transmit Power	2.402	-	0	-	≤0	dBm
	2.441	-	0	-		dBm
	2.480	-	0	-		dBm
Initial Carrier Frequency Tolerance	2.402	-	5	75	75	kHz
	2.441	-	5	75		kHz
	2.480	-	5	75		kHz
20dB bandwidth for modulated carrier		-	900	1000	≤1000	kHz
Drift (Five slots packet)		-	15	-	40	kHz
Drift Rate		-	13	-	20	kHz
Δf_{avg} "Maximum Modulation"	2.402GHz	140	165	175	$140 < \Delta f_{avg}$	kHz
	2.441GHz	140	165	175		kHz
	2.480GHz	140	165	175		kHz
Δf_{max} "Minimum Modulation"	2.402GHz	115	190	-	115	kHz
	2.441GHz	115	190	-		kHz
	2.480GHz	115	190	-		kHz

3. Packing & Label Information

Fig 3.1.1 RN-31 PCBA Label

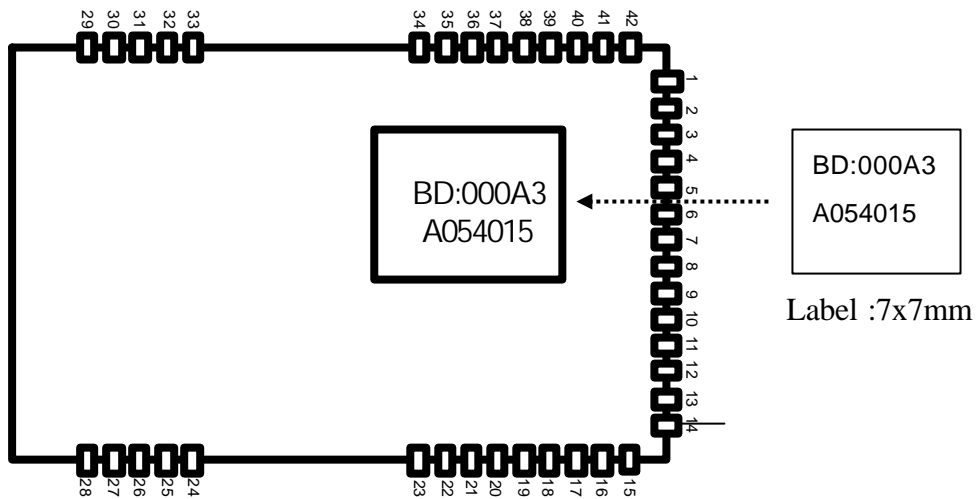
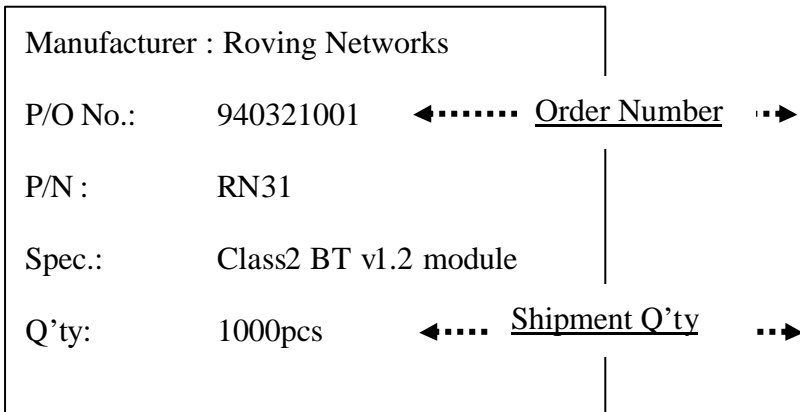


Fig 3.1.2 RN31 Carton Label



Dimension :102x102mm

3.2 Packaging

