

## 阅读申明

- 1.本站收集的数据手册和产品资料都来自互联网，版权归原作者所有。如读者和版权方有任何异议请及时告之，我们将妥善解决。
- 2.本站提供的中文数据手册是英文数据手册的中文翻译，其目的是协助用户阅读，该译文无法自动跟随原稿更新，同时也可能存在翻译上的不当。建议读者以英文原稿为参考以便获得更精准的信息。
- 3.本站提供的产品资料，来自厂商的技术支持或者使用者的心得体会等，其内容可能存在描述上的差异，建议读者做出适当判断。
- 4.如需与我们联系，请发邮件到marketing@iczoom.com，主题请标有“数据手册”字样。

## Read Statement

1. The datasheets and other product information on the site are all from network reference or other public materials, and the copyright belongs to the original author and original published source. If readers and copyright owners have any objections, please contact us and we will deal with it in a timely manner.
2. The Chinese datasheets provided on the website is a Chinese translation of the English datasheets. Its purpose is for reader's learning exchange only and do not involve commercial purposes. The translation cannot be automatically updated with the original manuscript, and there may also be improper translations. Readers are advised to use the English manuscript as a reference for more accurate information.
3. All product information provided on the website refer to solutions from manufacturers' technical support or users the contents may have differences in description, and readers are advised to take the original article as the standard.
4. If you have any questions, please contact us at marketing@iczoom.com and mark the subject with "Datasheets" .

---

## Features

- Very High Transmitting Frequency Accuracy Compared to SAW Solutions (Enables Receivers at Lower Bandwidth than with SAW Resonators)
- Lower Cost than the Usual Discrete Solutions Using SAW and Transistors
- Supply Voltage 2.2 V to 4.0 V in the Temperature Range of -40°C to 85°C
- XTO Output for Clocking the Microcontroller, Together Together with the ATAR090 or ATAR890 Results in the Optimum System Cost-effectiveness
- One-chip Solution with Minimum External Circuitry
- Very Small SSO16 Package, Pitch 0.635, 150 mil
- “Single-ended Open-collector” Output (Same Antennas Can Be Used as in Discrete Solutions, Simpler Adaptation of Magnetic Loop Antennas)
- ESD Protection According to MIL-STD.883 (4 KV HBM) Except Pins XTO1/ 2, ANT and LF

Electrostatic sensitive device.  
Observe precautions for handling.



## Description

The U2745B is a PLL transmitter IC which has been especially developed for the demands of RF low-cost data transmission systems at data rates up to 20 kBaud.

The transmitting frequency range is 310 MHz to 440 MHz. It can be used in ASK systems. The main applications of the U2745B are in the areas of outside temperature metering, socket control, garage door opener, consumption metering, light/fan or air-condition control, jalousies, wireless keyboard and various other consumer market applications.



---

## UHF ASK Transmitter

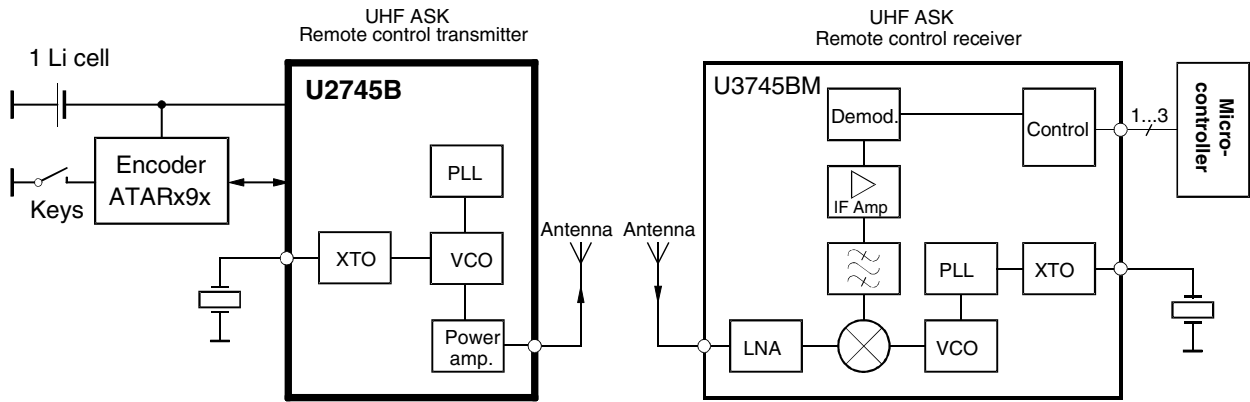
---

## U2745B

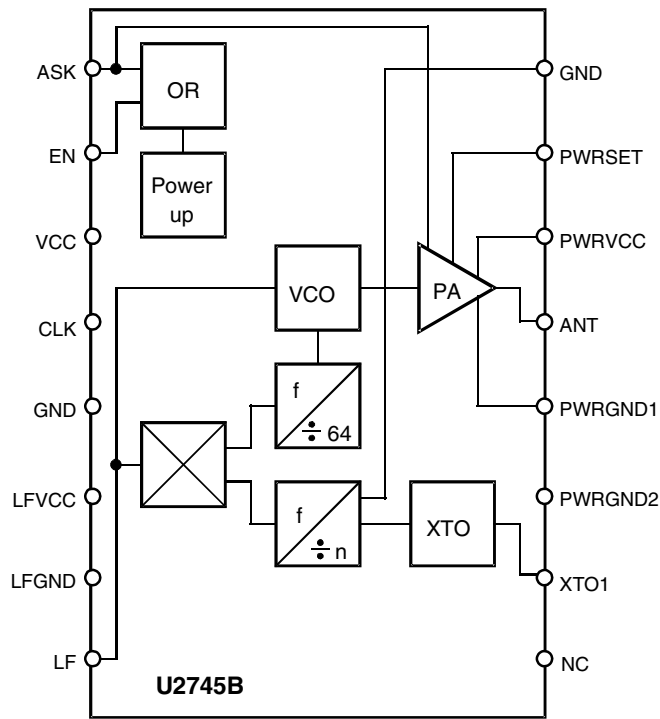
Rev. 4734A-RKE-11/03



**Figure 1. System Block Diagram**

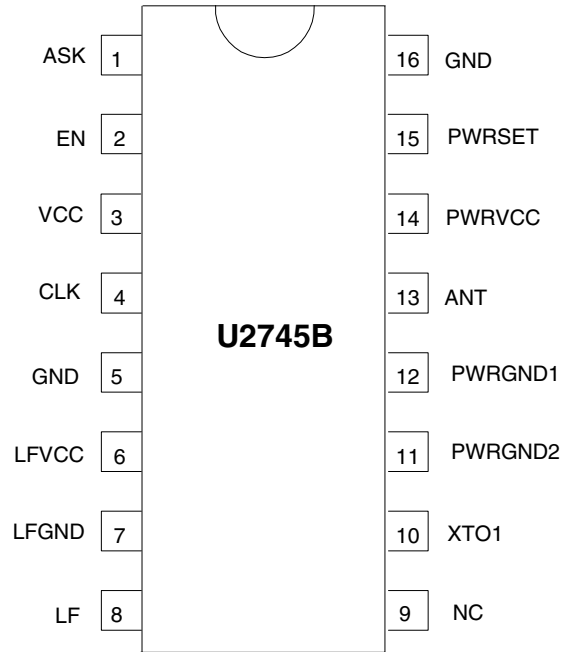


**Figure 2. Block Diagram**



## Pin Configuration

Figure 3. Pinning SSO16



## Pin Description

Pin	Symbol	Function
1	ASK	Modulation input ASK
2	EN	Enable input
3	VCC	Supply voltage
4	CLK	Clock output
5	GND	Ground
6	Lfvcc	Supply voltage VCO
7	LFGND	VCO ground
8	LF	Circuit PLL loop
9	NC	Not connected
10	XTO1	Connection for crystal
11	PWRGND2	Power GND2
12	PWRGND1	Power GND1
13	ANT	RF output
14	PWRVCC	Supply voltage power amplifier
15	PWRSET	Applied to VCC
16	GND	Ground

## General Description

The fully integrated VCO and the “single-ended open-collector” output allow particularly simple, low-cost RF miniature transmitters to be assembled. The single-ended output enables a considerably simplified adaptation of both a magnetic loop antenna of any form or a  $\lambda/4$  antenna. This is because the load impedance must not be balanced as would be the case with a differential output.

The XTO's frequency can be selected to be either 13.56 MHz or 9.844 MHz (USA). At these frequencies, crystals have a very fast start-up time ( $< 1.5$  ms), whereby a wait time of 5 to 10 ms is required until the transmitter IC is locked. This means that the processor does not need to poll a lock detect output.

## Functional Description

### ASK Transmission

The U2745B is activated by  $EN = V_S$ .  $V_{ASK}$  must remain 0 V for 5 ms, then the output power can be modulated by means of pin ASK.  $V_{EN}$  remains  $= V_S$  during the transmission of the message. The ASK input activates the power amplifier and the PLL.

### Take-over of the Clock Pulse in the Microcontroller

The clock of the crystal oscillator can be used for clocking the microcontroller. The ATAR090 and ATAR890 have the special feature of starting with an integrated RC oscillator to switch on the U2745B with  $V_{EN} = V_S$ . 5 ms later, the 3.39-MHz clock frequency is present, so that the message can be sent with crystal accuracy.

## Application Circuit

The following component values are recommendations for a typical application.  $C_4$ ,  $C_5$ , and  $C_6$  are block capacitors. The values of these capacitors depend on the board layout.  $C_4 = 1$  nF,  $C_5 = 1$  nF, and  $C_6 = 22$  nF are typically used here. For  $C_5$ , the impedance between  $f = 100$  MHz and  $f = 1$  GHz should be as low as possible.

$C_{Loop1}$  and  $C_{Loop2}$  are selected so that the antenna oscillates in resonance and the adaptation to the appropriate impedance transformation is possible.

$L_{Feed}$  is an inductor for the antenna's DC current supply. A typical value is  $L_{Feed} = 220$  nH.  $L_{Feed}$  can be either printed on the PC board or be a discrete component.

## Output Power Measurement

The following output network (see Figure 4 on page 5) can be used for output power evaluation, the exact values of  $L_{10}$  and  $C_{10}$  are dependent on the layout.

$L_{10}$  and  $C_{10}$  form the transformation network to adopt the output impedance of the IC to  $50 \Omega$ . The following table shows the values for an output power of 2 mW and an  $R_{PWRSET} = 1.2$  k $\Omega$ .

**Table 1.** Transformation Network

f/MHz	C10/pF	L10/nH	$Z_{Load\_opt}/\Omega$
315	2.7	56	$260 + j330$
433.92	1.8	33	$185 + j268$

Figure 4. Measurement Output Network

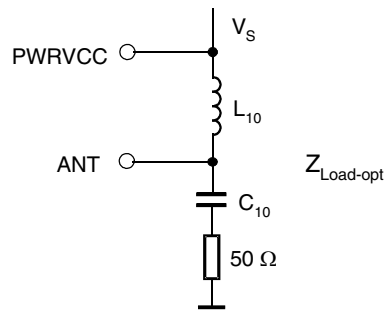
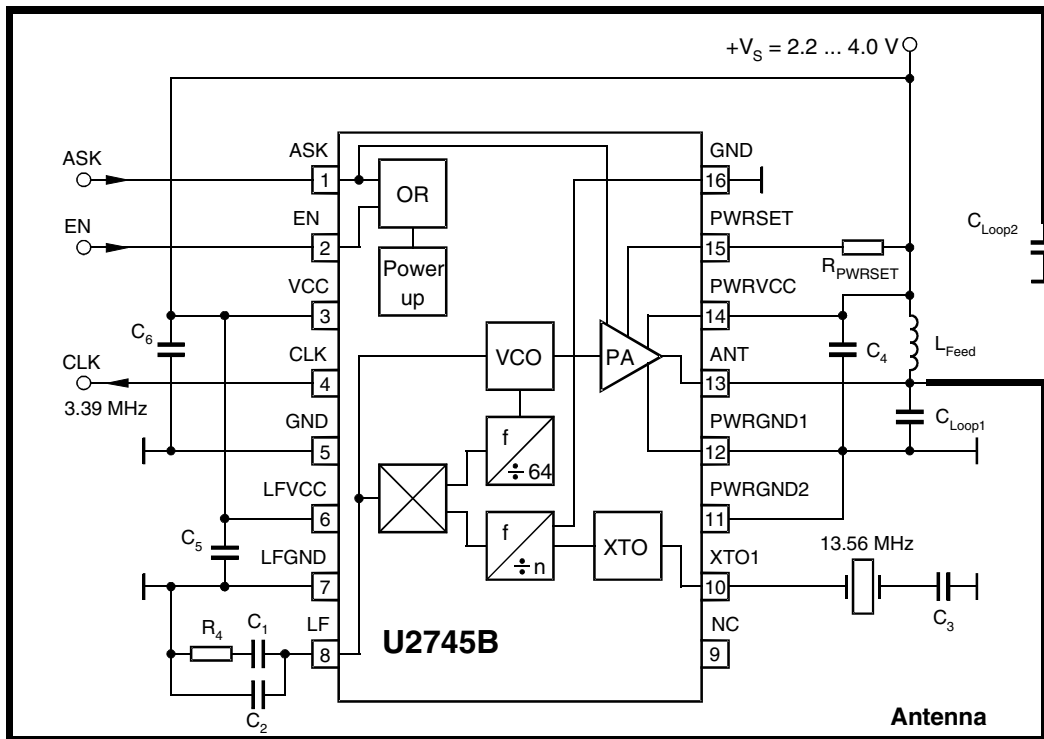


Figure 5. Application Circuit



## Absolute Maximum Ratings

Stresses beyond those listed under “Absolute Maximum Ratings” may cause permanent damage to the device. This is a stress rating only and functional operation of the device at these or any other conditions beyond those indicated in the operational sections of this specification is not implied. Exposure to absolute maximum rating conditions for extended periods may affect device reliability.

Parameters	Symbol	Min.	Max.	Unit
Supply voltage	$V_S$		6	V
Power dissipation	$P_{tot}$		250	mW
Junction temperature	$T_j$		150	°C
Storage temperature	$T_{stg}$	-55	125	°C
Ambient temperature	$T_{amb}$	-40	85	°C

## Thermal Resistance

Parameters	Symbol	Value	Unit
Junction ambient	$R_{thJA}$	180	K/W

## Electrical Characteristics

All parameters are referred to GND (pin 5),  $V_S = 3\text{ V}$ ,  $T_{amb} = 25^\circ\text{C}$ , unless otherwise specified

The possible operating ranges refer to different circuit conditions:  $V_S = 2.2\text{ V}$  to  $4.0\text{ V}$  at  $T_{amb} = -40^\circ\text{C}$  to  $+85^\circ\text{C}$

Parameters	Test Conditions	Symbol	Min.	Typ.	Max.	Unit
Supply current (power down)	$V_{ASK}, V_{FSK} \leq 0.3\text{ V}$ , $V_S < 3.6\text{ V}$	$I_{Soff}$		2	10	$\mu\text{A}$
Supply current (power up, output OFF)	$V_{ASK} = \text{GND}$ , $V_{EN} = V_S$ , $V_S = 3\text{ V}$	$I_{Son}$		4.7	6.2	mA
Supply current (power up, output ON)	$V_{ASK} = V_S$ , $V_S = 3\text{ V}$ , $R_{PWRSET} = 1.2\text{ k}\Omega$	$I_{Stransmit}$		10	12.5	mA
Output power	$V_S = 3\text{ V}$ , $T_{amb} = 25^\circ\text{C}$ , $f = 433.92\text{ MHz}$ $R_{PWRSET} = 1.2\text{ k}\Omega$	$P_{Ref}$	1	3	5	dBm
Output power variation for $f = 315\text{ MHz}$ compared to $f = 433.92\text{ MHz}$	$f = 315\text{ MHz}$ $P_{out} = P_{Ref} + \Delta P_{Ref}$	$\Delta P_{Ref}$		1.5		dB
Maximum peak output antenna voltage	at $P_{out} = 2.0\text{ mW}$ , the load impedance must be selected to meet the $V_{out}$ maximum requirement, the supply current is not dependent on the load impedance tolerance	$V_{outmax}$		$V_S - 0.7\text{ V}$		$V_{(peak)}$
Spurious emission	$f_o \pm (n \times f_{PC})$ where $f_{PC} = 6.78\text{ MHz}$ Load capacitance at CLK $\leq 3\text{ pF}$ $f = 230\text{ MHz}$ to $470\text{ MHz}$ $f < 230\text{ MHz}$ , $f > 470\text{ MHz}$	$E_m$ $E_m$			-40 -58	dBc dBc
Oscillator frequency XTO	Crystal frequency = $13.56\text{ MHz}$	$f_{XTO}$	13.56 - 30 ppm	13.56	13.56 + 30 ppm	MHz
Loop bandwidth	For best LO noise Loop filter components: $C_2 = 3.9\text{ nF}$ , $C_1 = 15\text{ nF}$ , $R_4 = 220\ \Omega$	$B_{Loop}$		100		kHz
Phase noise PLL	Referring to the phase comparator $f_{PC} = 6.78\text{ MHz}$	$PN_{PLL}$		-111	-105	dBc/Hz
Phase noise VCO	at $1\text{ MHz}$ at $36\text{ MHz}$	$PN_{VCO}$ $PN_{VCO}$		-90 -122		dBc/Hz

## Electrical Characteristics (Continued)

All parameters are referred to GND (pin 5),  $V_S = 3\text{ V}$ ,  $T_{amb} = 25^\circ\text{C}$ , unless otherwise specified

The possible operating ranges refer to different circuit conditions:  $V_S = 2.2\text{ V}$  to  $4.0\text{ V}$  at  $T_{amb} = -40^\circ\text{C}$  to  $+85^\circ\text{C}$

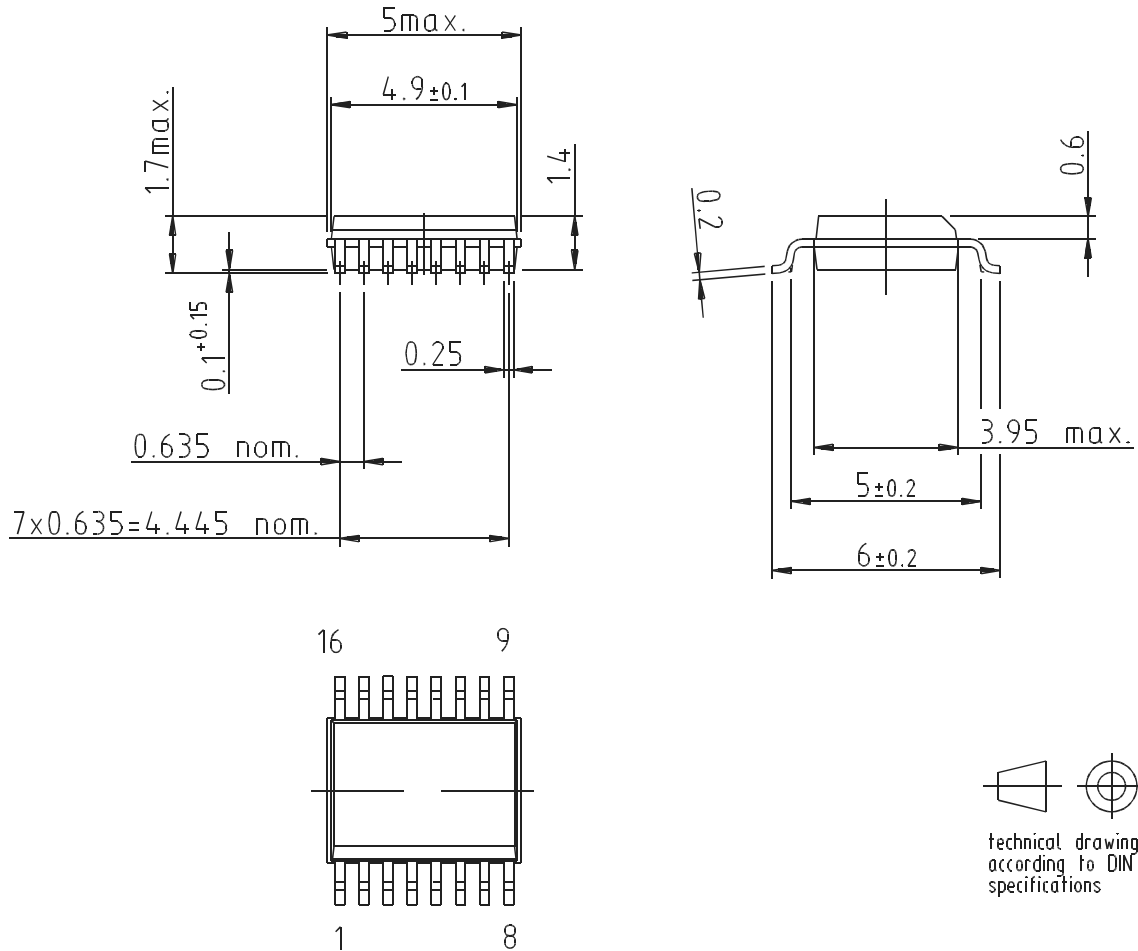
Parameters	Test Conditions	Symbol	Min.	Typ.	Max.	Unit
Frequency range of the VCO		$f_{VCO}$	310		440	MHz
Clock output (CMOS microcontroller compatible)		$Clk_{out}$		$f_{out}/128$		MHz
Load capacitance at CLK		$C_{CLK}$			10	pF
Series resonance R of the crystal	$f_{XTO} = 13.56\text{ MHz}$ $f_{XTO} = 9.84\text{ MHz}$	$R_s$ $R_s$			80 100	$\Omega$
ASK modulation frequency rate	Duty cycle of the modulation signal = 50%	$f_{modASK}$	0		20	kHz
CLK output - Output current Low - Output current Low - Output current High - Output current High	$V_{CLK} = 0.2 \times V_S$ $V_{CLK} = 0.3 \times V_S$ $V_{CLK} = 0.8 \times V_S$ $V_{CLK} = 0.7 \times V_S$	$I_{ol}$ $I_{ol}$ $I_{oh}$ $I_{oh}$	150 200 -150 -200		100	$\mu\text{A}$ $\mu\text{A}$ $\mu\text{A}$ $\mu\text{A}$
ASK input - Low level input voltage - High level input voltage - Input current High		$V_{ASKl}$ $V_{ASKh}$ $I_{ASKh}$	1.7		0.3 140	V V $\mu\text{A}$
Enable ASK - Low level input voltage - High level input voltage - Input current High		$V_{EN}$ $V_{FSKl}$ $V_{FSKh}$ $I_{FSKh}$	1.7		0.3 140	V V $\mu\text{A}$



## Ordering Information

Extended Type Number	Package	Remarks
U2745B-MFB	SSO16	Tube
U2745B-MFBG3	SSO16	Taped and reeled

## Package Information



Drawing refers to following types: SSO16  
 Package acc. JEDEC MO 137 AB



## Atmel Corporation

2325 Orchard Parkway  
San Jose, CA 95131, USA  
Tel: 1(408) 441-0311  
Fax: 1(408) 487-2600

## Regional Headquarters

### Europe

Atmel Sarl  
Route des Arsenalux 41  
Case Postale 80  
CH-1705 Fribourg  
Switzerland  
Tel: (41) 26-426-5555  
Fax: (41) 26-426-5500

### Asia

Room 1219  
Chinachem Golden Plaza  
77 Mody Road Tsimshatsui  
East Kowloon  
Hong Kong  
Tel: (852) 2721-9778  
Fax: (852) 2722-1369

### Japan

9F, Tonetsu Shinkawa Bldg.  
1-24-8 Shinkawa  
Chuo-ku, Tokyo 104-0033  
Japan  
Tel: (81) 3-3523-3551  
Fax: (81) 3-3523-7581

## Atmel Operations

### Memory

2325 Orchard Parkway  
San Jose, CA 95131, USA  
Tel: 1(408) 441-0311  
Fax: 1(408) 436-4314

### Microcontrollers

2325 Orchard Parkway  
San Jose, CA 95131, USA  
Tel: 1(408) 441-0311  
Fax: 1(408) 436-4314

La Chantrerie  
BP 70602  
44306 Nantes Cedex 3, France  
Tel: (33) 2-40-18-18-18  
Fax: (33) 2-40-18-19-60

### ASIC/ASSP/Smart Cards

Zone Industrielle  
13106 Rousset Cedex, France  
Tel: (33) 4-42-53-60-00  
Fax: (33) 4-42-53-60-01

1150 East Cheyenne Mtn. Blvd.  
Colorado Springs, CO 80906, USA  
Tel: 1(719) 576-3300  
Fax: 1(719) 540-1759

Scottish Enterprise Technology Park  
Maxwell Building  
East Kilbride G75 0QR, Scotland  
Tel: (44) 1355-803-000  
Fax: (44) 1355-242-743

### RF/Automotive

Theresienstrasse 2  
Postfach 3535  
74025 Heilbronn, Germany  
Tel: (49) 71-31-67-0  
Fax: (49) 71-31-67-2340

1150 East Cheyenne Mtn. Blvd.  
Colorado Springs, CO 80906, USA  
Tel: 1(719) 576-3300  
Fax: 1(719) 540-1759

### Biometrics/Imaging/Hi-Rel MPU/ High Speed Converters/RF Datacom

Avenue de Rochepleine  
BP 123  
38521 Saint-Egreve Cedex, France  
Tel: (33) 4-76-58-30-00  
Fax: (33) 4-76-58-34-80

---

### Literature Requests

[www.atmel.com/literature](http://www.atmel.com/literature)

**Disclaimer:** Atmel Corporation makes no warranty for the use of its products, other than those expressly contained in the Company's standard warranty which is detailed in Atmel's Terms and Conditions located on the Company's web site. The Company assumes no responsibility for any errors which may appear in this document, reserves the right to change devices or specifications detailed herein at any time without notice, and does not make any commitment to update the information contained herein. No licenses to patents or other intellectual property of Atmel are granted by the Company in connection with the sale of Atmel products, expressly or by implication. Atmel's products are not authorized for use as critical components in life support devices or systems.

© Atmel Corporation 2003. All rights reserved.

Atmel® and combinations thereof are the registered trademarks of Atmel Corporation or its subsidiaries.

Other terms and product names may be the trademarks of others.



Printed on recycled paper.