

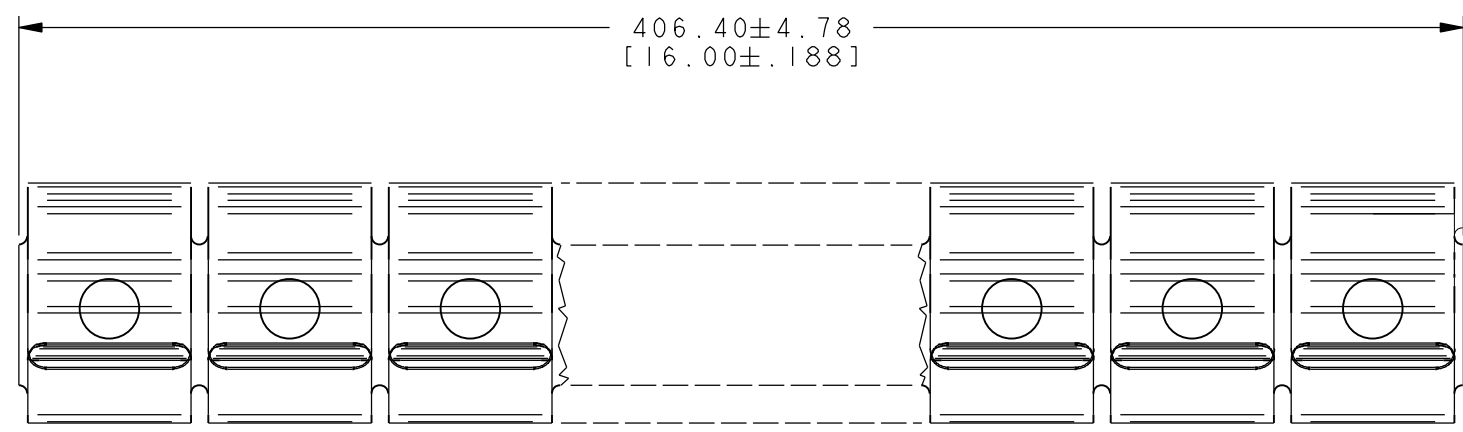
## 阅读申明

- 1.本站收集的数据手册和产品资料都来自互联网，版权归原作者所有。如读者和版权方有任何异议请及时告之，我们将妥善解决。
- 2.本站提供的中文数据手册是英文数据手册的中文翻译，其目的是协助用户阅读，该译文无法自动跟随原稿更新，同时也可能存在翻译上的不当。建议读者以英文原稿为参考以便获得更精准的信息。
- 3.本站提供的产品资料，来自厂商的技术支持或者使用者的心得体会等，其内容可能存在描述上的差异，建议读者做出适当判断。
- 4.如需与我们联系，请发邮件到marketing@iczoom.com，主题请标有“数据手册”字样。

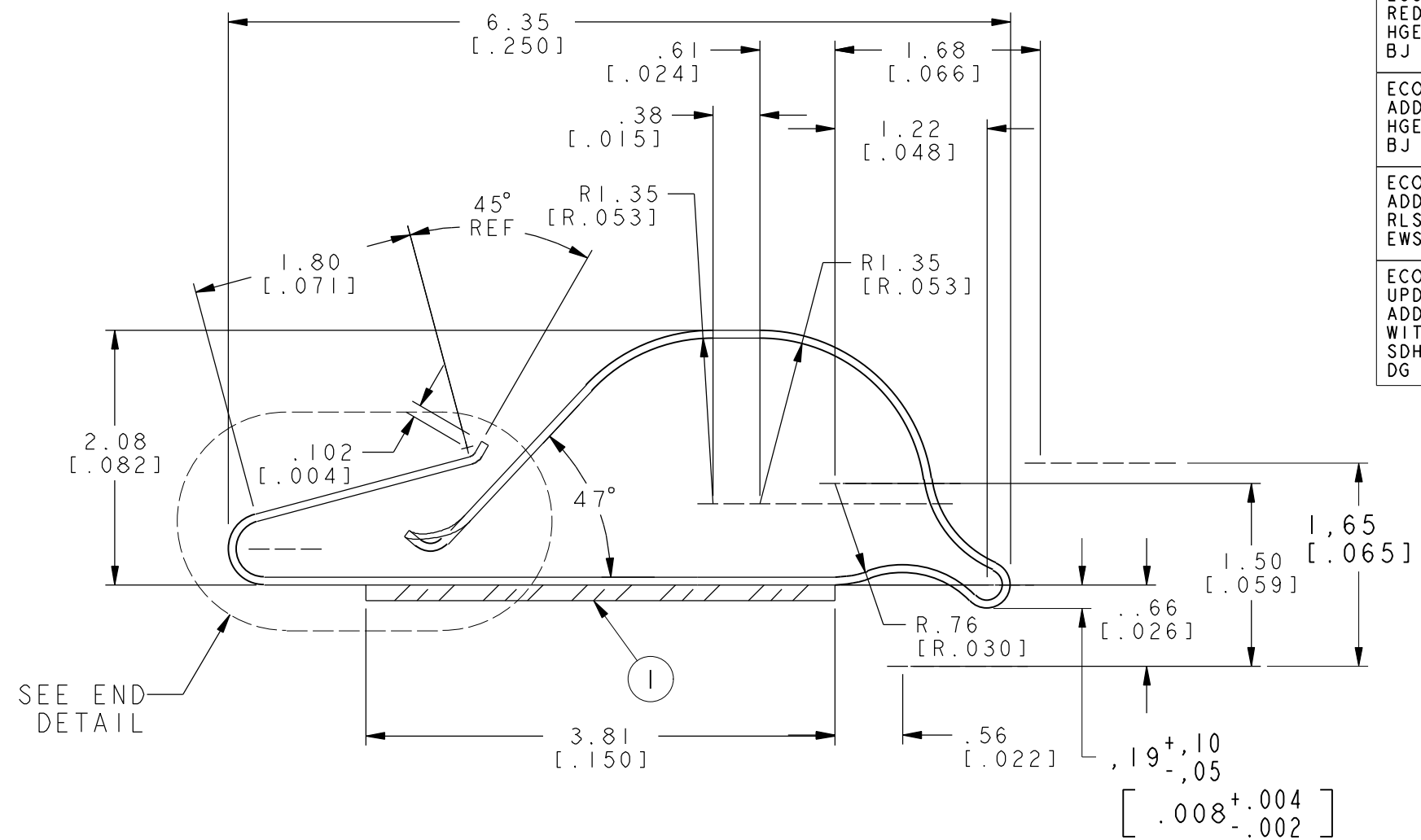
## Read Statement

1. The datasheets and other product information on the site are all from network reference or other public materials, and the copyright belongs to the original author and original published source. If readers and copyright owners have any objections, please contact us and we will deal with it in a timely manner.
2. The Chinese datasheets provided on the website is a Chinese translation of the English datasheets. Its purpose is for reader's learning exchange only and do not involve commercial purposes. The translation cannot be automatically updated with the original manuscript, and there may also be improper translations. Readers are advised to use the English manuscript as a reference for more accurate information.
3. All product information provided on the website refer to solutions from manufacturers' technical support or users the contents may have differences in description, and readers are advised to take the original article as the standard.
4. If you have any questions, please contact us at marketing@iczoom.com and mark the subject with "Datasheets" .

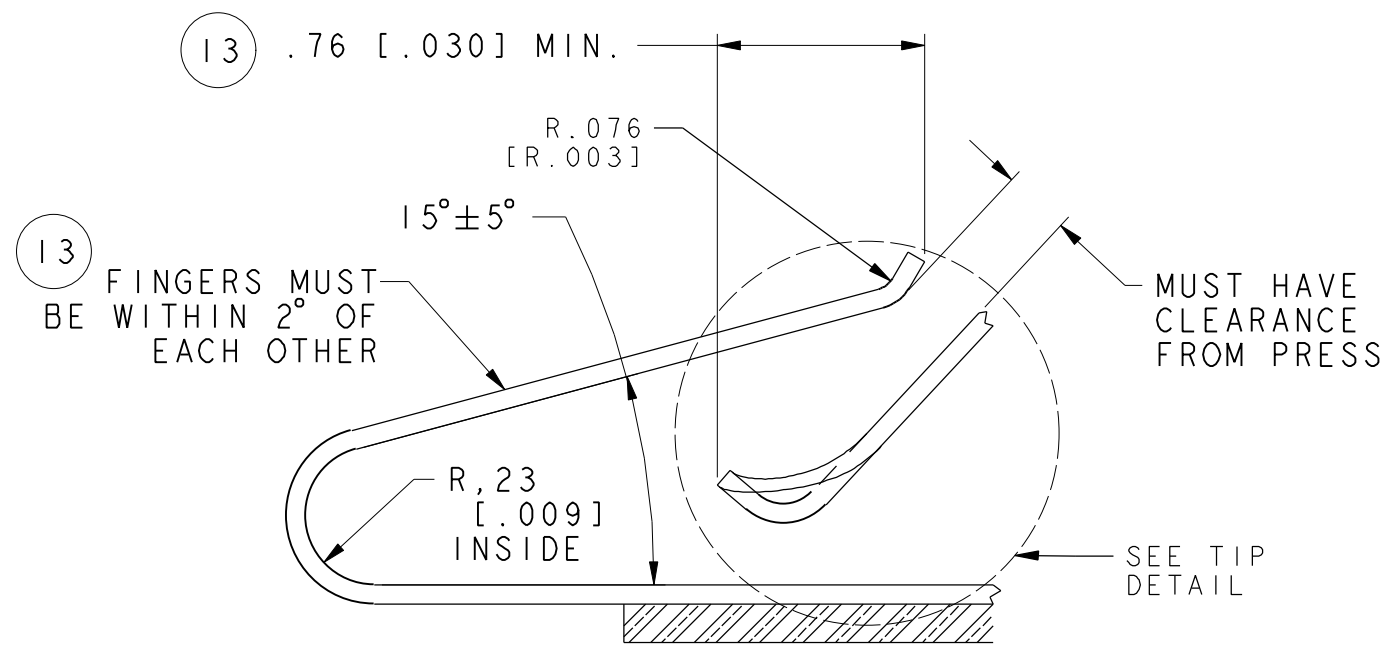
DWG NO:	0097-0542
REVISIONS	
ECO-E4047 REDRAWN, .LBS/M WAS 10.6 HGE 04/19/89 BJ 04/19/89	10
ECO-E4572 ADDED MAT'L TEST NOTE HGE 09/12/89 BJ 09/12/89	11
ECO-E4929 ADDED DIMENSIONS RLS 01/30/90 EWS 01/30/90	12
ECO-E5167 UPDATED FORMAT ADDED .030 MIN DIM AND WITHIN 2° NOTE SDH 09/27/05 DG 09/27/05	13



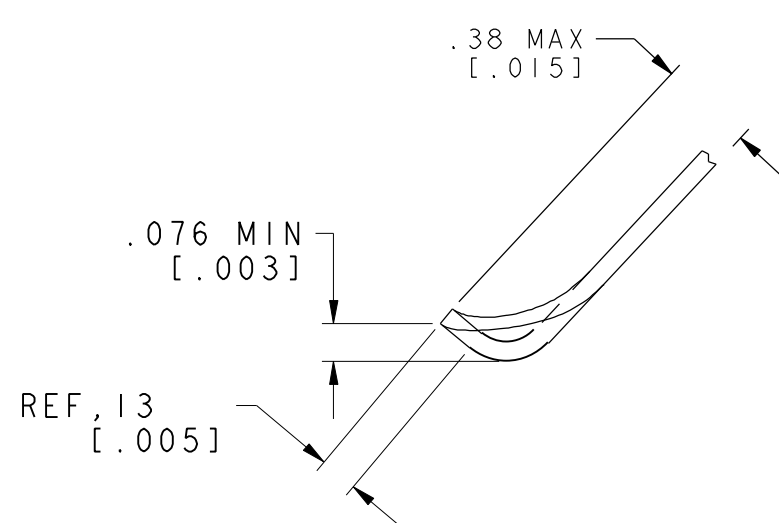
TOP FORMED VIEW



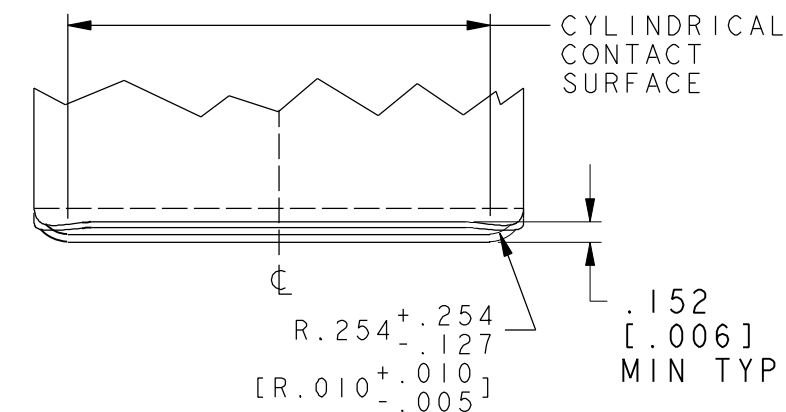
PART END PROFILE



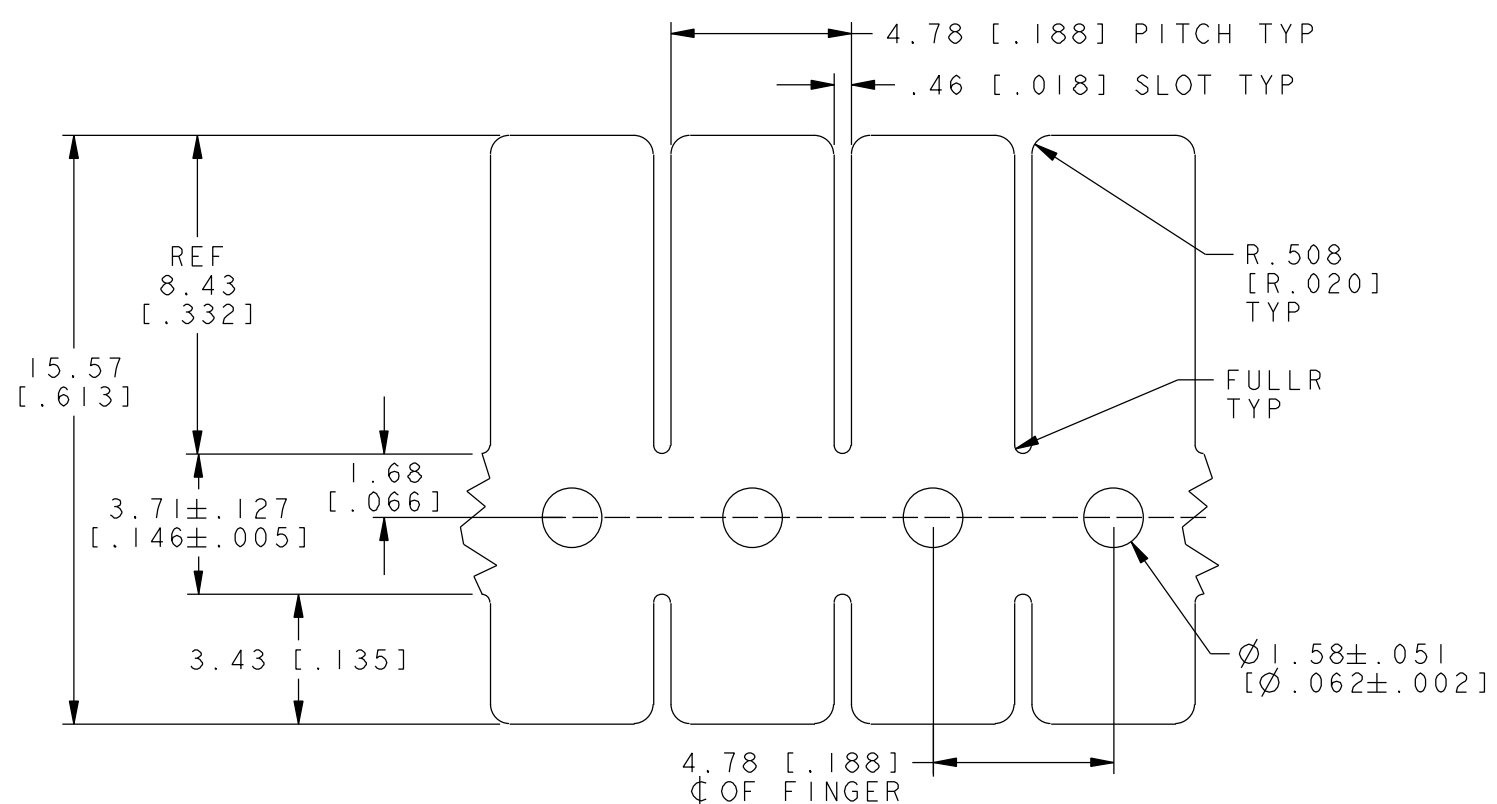
END DETAIL



TIP DETAIL



FINGER DETAIL



FLAT PATTERN

NOTE: WHEN SUPPLIED IN 25 FT. LENGTH CUT FROM PRESS TO BE 25 FT. 2.5 IN. ± 2 IN.

MATERIAL TEST: (11)  
CUT 6.35 [0.250] WIDE SPECIMEN ACROSS STRIP, BEND 90° WITH WIPING MOTION AROUND 3.18 [0.125] DIA PIN. WHEN RELEASED THE RADIUS OF THE BEND SHALL BE 2.29-2.54 [0.090-.100] OR TENSILE STRENGTH, 70,000-80,000 PSI

1	3.81 [0.150] PRESSURE SENSITIVE TAPE (SEE DWG 0097- 0446)
ITEM	DESCRIPTION
MATERIAL:	.064 ± .005 THICK [0.0025 ± .0002] BeCu ALLOY 25 1/4 HARD
HEAT TREAT:	TO MEET PERFORMANCE TEST (DPH 373 USING 200 GRAM LOAD)
THICKNESS AFTER:	CLEANING AND BEFORE PLATING: .053 [0.0021] MIN
FINISH:	AS REQUIRED
TOLERANCES NOT SHOWN	
DECIMAL 2 PL'S ± .508 [0.020]	
DECIMAL 3 PL'S ± .254 [0.010]	
ANGULAR ± 3°	
THIRD ANGLE PROJECTION	
UNITS: MM [INCH] SCALE: NTS	
DRAWN BY: HGE DATE: 04/19/89	
CHECKED: BJ DATE: 05/11/89	
APPROVED: BJ DATE: 05/11/89	
LAIRD STANDARD	
REF. DWG. NO. DOUBLE FOLDED SHIELDING STRIP	
DWG. NO. 0097-0542 REV 13	
SHEET 1 OF 1	