

## 阅读申明

- 1.本站收集的数据手册和产品资料都来自互联网，版权归原作者所有。如读者和版权方有任何异议请及时告之，我们将妥善解决。
- 2.本站提供的中文数据手册是英文数据手册的中文翻译，其目的是协助用户阅读，该译文无法自动跟随原稿更新，同时也可能存在翻译上的不当。建议读者以英文原稿为参考以便获得更精准的信息。
- 3.本站提供的产品资料，来自厂商的技术支持或者使用者的心得体会等，其内容可能存在描述上的差异，建议读者做出适当判断。
- 4.如需与我们联系，请发邮件到marketing@iczoom.com，主题请标有“数据手册”字样。

## Read Statement

1. The datasheets and other product information on the site are all from network reference or other public materials, and the copyright belongs to the original author and original published source. If readers and copyright owners have any objections, please contact us and we will deal with it in a timely manner.
2. The Chinese datasheets provided on the website is a Chinese translation of the English datasheets. Its purpose is for reader's learning exchange only and do not involve commercial purposes. The translation cannot be automatically updated with the original manuscript, and there may also be improper translations. Readers are advised to use the English manuscript as a reference for more accurate information.
3. All product information provided on the website refer to solutions from manufacturers' technical support or users the contents may have differences in description, and readers are advised to take the original article as the standard.
4. If you have any questions, please contact us at marketing@iczoom.com and mark the subject with "Datasheets" .

## Features

- Identification Transponder in Plastic Cube
- Basic Component: e5530 IDIC<sup>®</sup>
- Includes Coil and Capacitor for Tuned Circuit Antenna
- Carrier Frequency: 125 kHz

## Application

- Car Immobilizer
- Access Control
- Alarm Systems
- Other Identification Systems

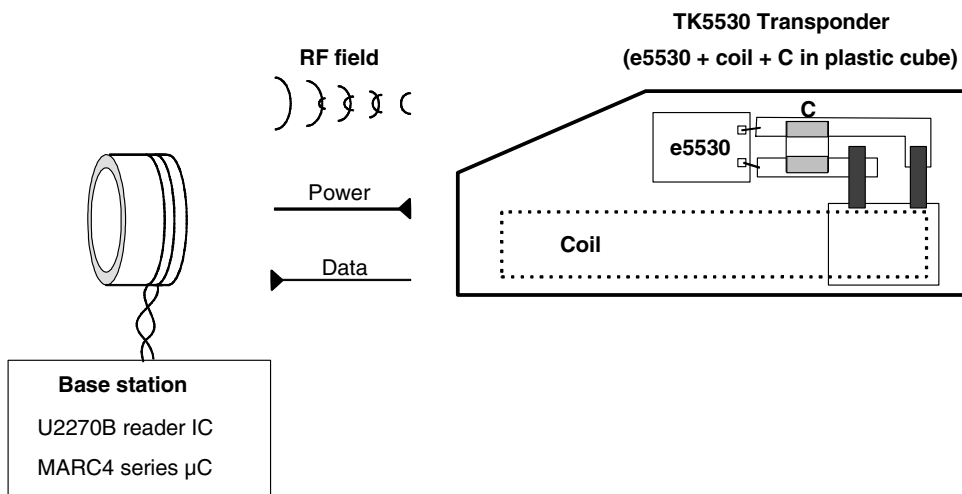
## Description

The TK5530 is a complete transponder, which implements all important functions for immobilizer and identification systems. It consists of a plastic cube which accommodates the read-only **IDentification Integral Circuit (IDIC<sup>®</sup>)** e5530 and the antenna is realized by a LC-circuit.

The identifying data are stored in a 128 bit PROM on the e5530, realized as an array of laser-programmable fuses. The logic block diagram for the e5530 is shown in Figure 1. The data are sent bit-serially as a code.

Any attempt to fake the base station with a wrong transponder will be recognized immediately.

## System Block Diagram



## Read-only Transponder

## TK5530

## General

The transponder consists of a plastic cube which accommodates following components:

- Read-only IDIC<sup>®</sup> with ROM (e5530)
- Antenna realized as tuned LC-circuit

## Read-Only IDIC<sup>®</sup> with ROM (e5530)

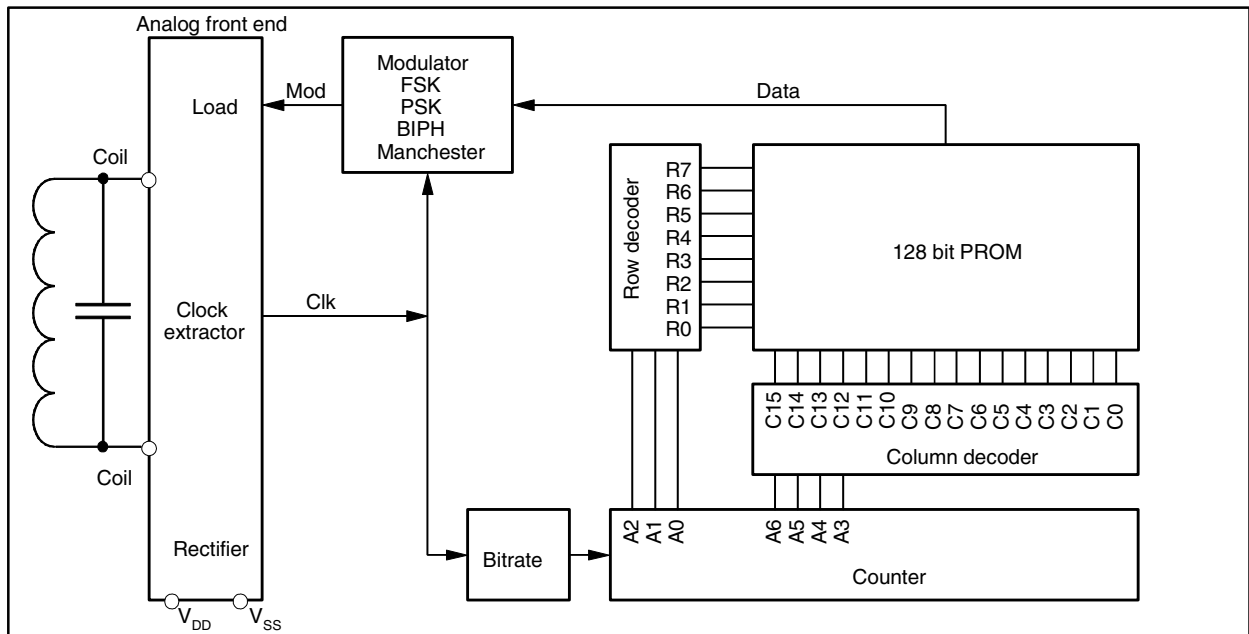
The e5530 is part of a closed coupled identification system (see 'System Block Diagram'). It receives power from a RF transmitter (reader) which is coupled inductively to the IDIC. The TK5530 transponder operates at a nominal frequency of 125 kHz. Receiving RF, the IDIC responds with a data stream by damping the incoming RF via an internal load. This damping in turn can be detected by the reader. The identifying data are stored in a 128-bit PROM on the e5530, which is factory programmed with a unique code (see specification of the e5530).

The e5530 has several possible options regarding modulation, bitrate, memory size etc.

## Antenna

The antenna consists of a coil and a capacitor for tuning the circuit to the nominal carrier frequency of 125 kHz. The coil has a ferrite-core for improving the readout distance.

Figure 1. Block Diagram



## Absolute Maximum Ratings

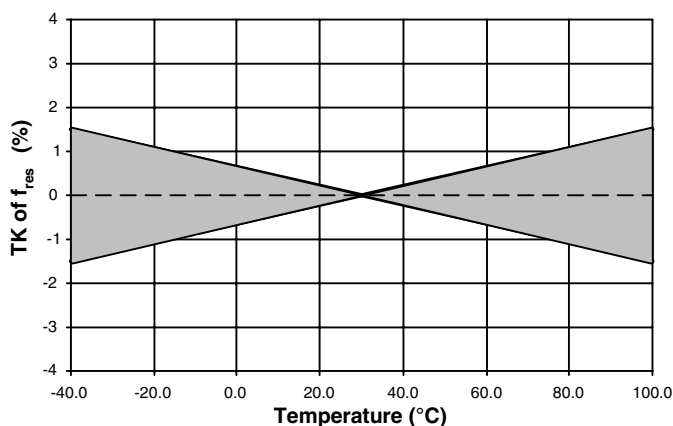
Parameter	Symbol	Value	Unit
Operating temperature range	$T_{amb}$	-40 to +85	°C
Storage temperature range	$T_{stg}$	-40 to +125	°C
Assembly temperature $t < 5$ min	$T_{ass}$	170	°C
Magnetic field strength at 125 kHz	$H_{pp}$	1000	A/m

## Operating Characteristics Transponder

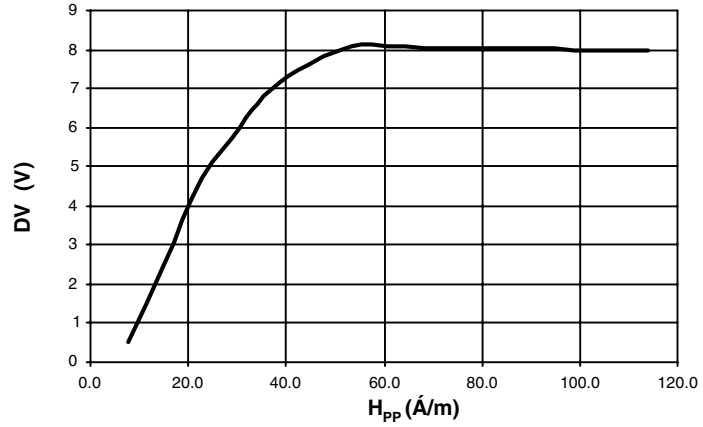
$T_{amb} = 25^{\circ}\text{C}$ ,  $f = 125$  kHz unless otherwise specified

Parameters	Test Conditions	Symbol	Min.	Typ.	Max.	Unit
Inductance		L		3.95		mH
<b>LC circuit, <math>H_{pp} = 20</math> A/m</b>						
Resonance frequency	Room temperature	$f_r$	121.4	125	129.2	kHz
Resonance frequency	$T_{amb} = -40$ to $+85^{\circ}\text{C}$	$f_r$	120.0		131.0	kHz
Quality factor		$Q_{LC}$		13		
<b>Magnetic Field Strength (H)</b>						
Max. field strength where tag does not modulate	No influence to other tags in the field	$H_{pp\ not}$		2		A/m
Field strength for operation	$T_{amb} = -40^{\circ}\text{C}$	$H_{pp\ -40}$		30		A/m
Field strength for operation	$T_{amb} = 25^{\circ}\text{C}$	$H_{pp\ 25}$		18		A/m
Field strength for operation	$T_{amb} = 85^{\circ}\text{C}$	$H_{pp\ 85}$		17		A/m
Maximum field strength		$H_{pp\ max}$			600	A/m
<b>Modulation Range (see also H-DV curve)</b>						
Modulation range	$H_{pp} = 20$ A/m $H_{pp} = 30$ A/m $H_{pp} = 50$ A/m $H_{pp} = 100$ A/m	DV		4.0 6.0 8.0 8.0		V

Figure 2. Typical  $T_K$ -range of Resonance Frequency

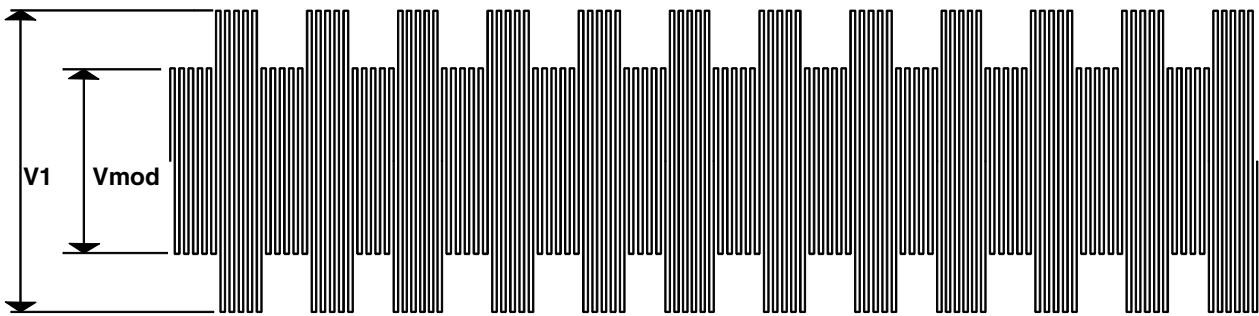


**Figure 3. Typical H-DV Curve**



**Figure 4. Measurement of the Modulation Range DV**

**Output voltage of the testing application (see figure 6 and 7)**

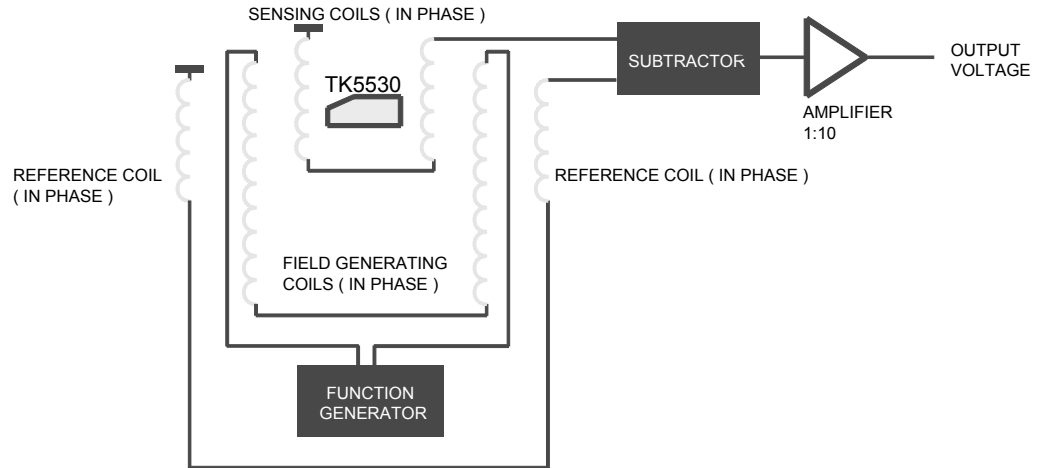


**$DV = V1 - V_{mod}$**

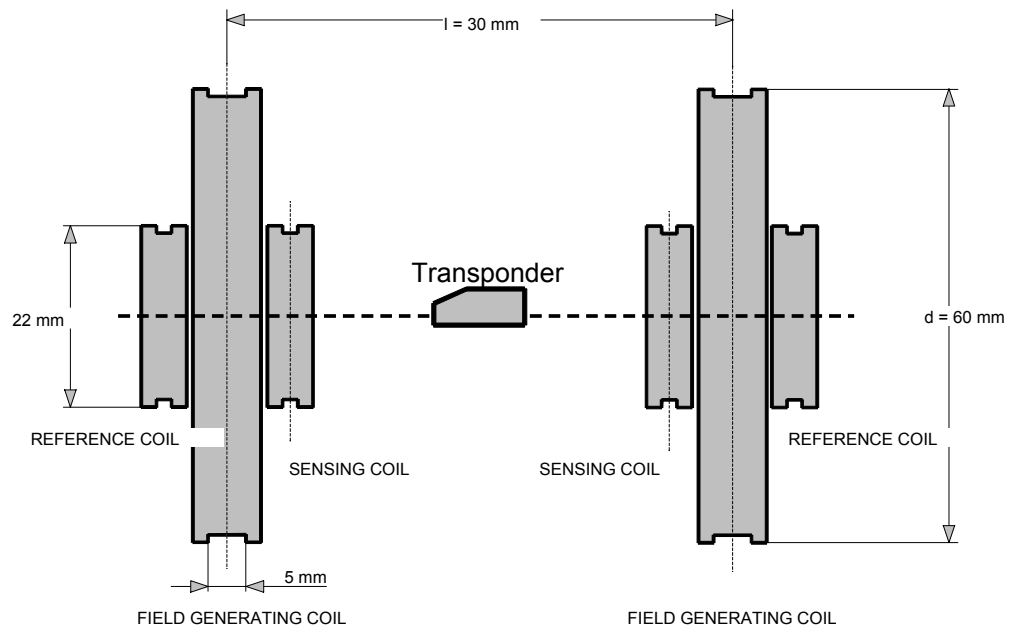
## Measurement Assembly

All parameters are measured in a Helmholtz-arrangement, which generates a homogeneous magnetic field (see Figure 5 and Figure 6). A function generator drives the field generating coils, so the magnetic field can be varied in frequency and field strength.

**Figure 5. Testing Application**



**Figure 6. Testing Geometry**





## IDIC® (Reference Data Sheet e5530)

Memory size maximum	128 Bit (details see “Coding”)
Memory type	ROM
Programming	Laser cutting
Data rate	RF/32 - RF/64
Encoding	Manchester or Bi-phase
Modulation	AM
Maximum coil voltage (internally limited) $V_{pp}$ (I = 5 mA)	16 V

## Coding

The memory of the TK5530 can be selected to be a 64- or 128-bit rolling code. In the non-standard version, the first 8 bits are a customer-specific pattern. This can be selected by the customer, provided that Atmel agrees to the customer’s proposal. This pattern is unique within the serial rolling code data stream. The ID code and further bit informations following the 8-bit header can also be defined within the customer’s specification.

The set-up of a suitable coding scheme can be provided on customer’s request.

## Read Distance

The maximum distance between the base station and the TK5530 mainly depends on the base station, the coil geometries and the modulation options chosen (see U2270B Antenna Design Hints and the U2270B data sheet). When generating an appropriate field with a suitable reader technique, a distance of 10 cm and more can be obtained. When using the Atmel U2270B demo board, the typical distances in the range of 0 to 5 cm can be achieved. Maximum distance values which are generally valid can not be given in this data sheet. The exact measuring of the maximum distance should be carried out with the TK5530 being integrated into the specific application.

## Ordering Information

Extended Type Number	Modul.	Data Rate	Con-figuration	Check-sum	Header	ID Code	SPQ (Minimum Volume)	Minimum Order Volume
TK5530HM-232-PP	Manch.	RF/32	64 bit	no check-sum	E6	fixed and unique code	10 kpcs	>1 kpcs (per order, from stock)
TK5530HM-zzz-PP	defined by customer							> 300 kpcs p.a.

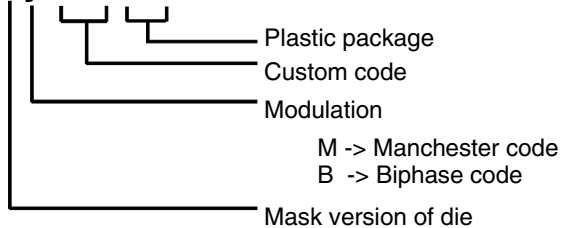
- Note:
- 1) Definition of customized part number basing on orders for first year volume (300 kpcs)
  - 2) Definition of header, ID code, checksum etc. according to customers data base
  - 3) 8.000 US\$ initial cost for metal mask
  - 4) Lead time 5 month
  - 5) Low volume customized application can be covered by TK5550F-PP programming, for identical application, as TK5530H-zzz-PP.

Ordering Number for Standard Version

TK5530HM-232-PP

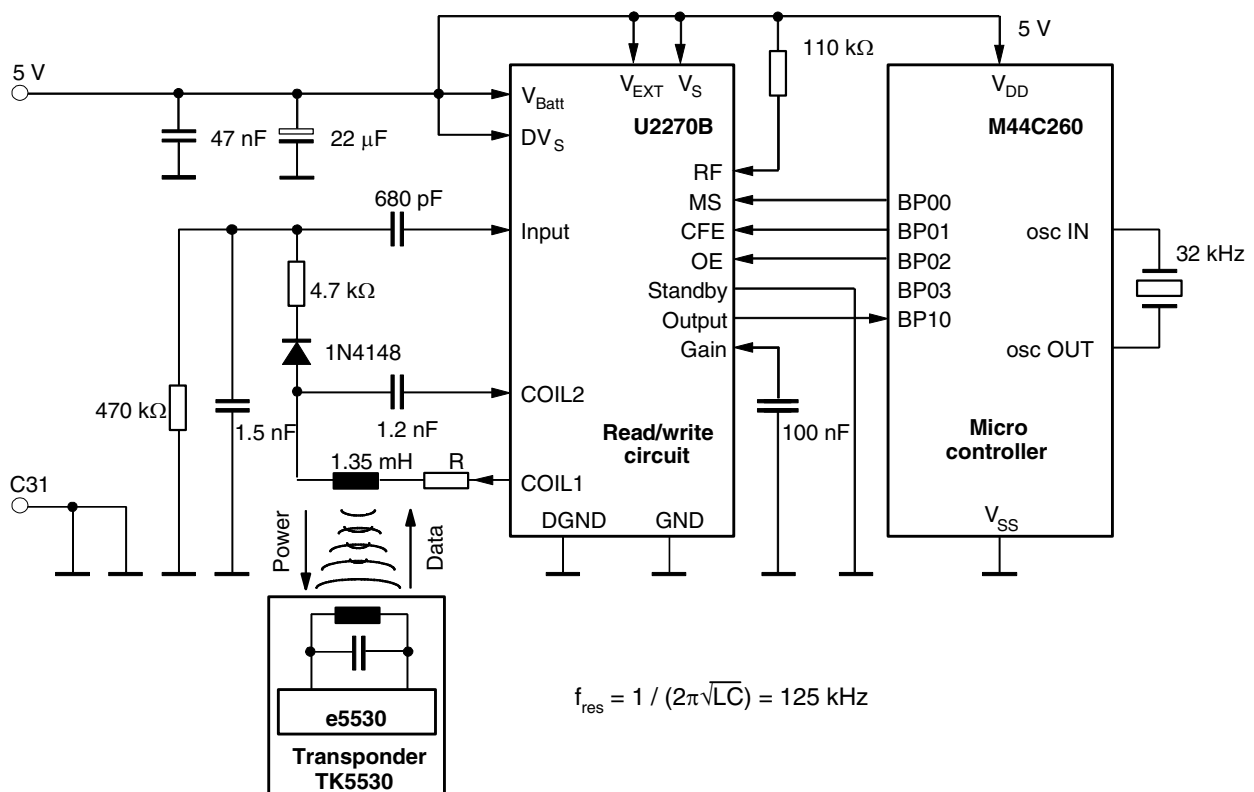
Ordering Number for Customized Version

TK5530xy-zzz-PP



Application

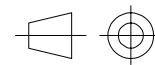
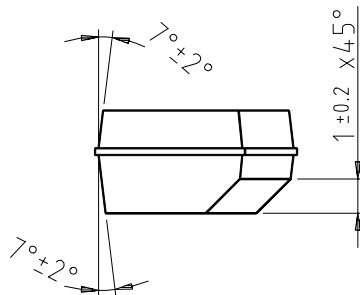
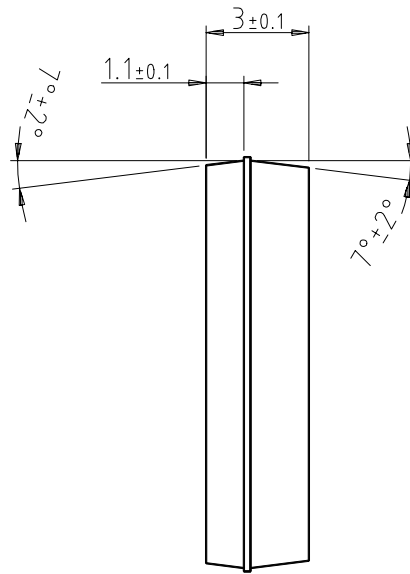
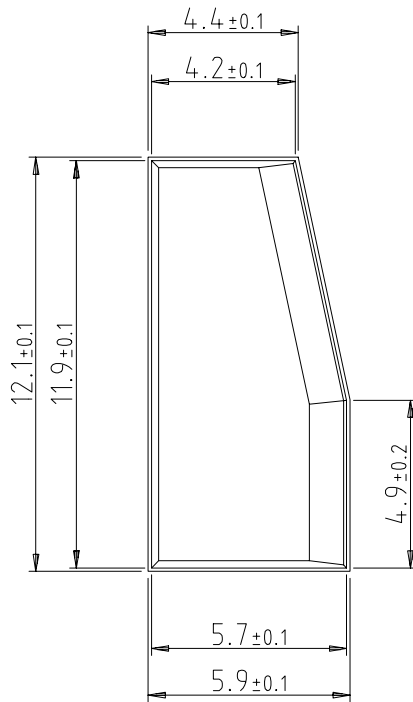
Figure 7. Complete Transponder System with the Read/Write Base-station IC U2270B





# Package Information

Dimensions in mm



technical drawings  
according to DIN  
specifications



## Atmel Headquarters

**Corporate Headquarters**  
2325 Orchard Parkway  
San Jose, CA 95131  
TEL 1(408) 441-0311  
FAX 1(408) 487-2600

### Europe

Atmel Sarl  
Route des Arsenaux 41  
Case Postale 80  
CH-1705 Fribourg  
Switzerland  
TEL (41) 26-426-5555  
FAX (41) 26-426-5500

### Asia

Room 1219  
Chinachem Golden Plaza  
77 Mody Road Tsimhatsui  
East Kowloon  
Hong Kong  
TEL (852) 2721-9778  
FAX (852) 2722-1369

### Japan

9F, Tonetsu Shinkawa Bldg.  
1-24-8 Shinkawa  
Chuo-ku, Tokyo 104-0033  
Japan  
TEL (81) 3-3523-3551  
FAX (81) 3-3523-7581

## Atmel Operations

### Memory

2325 Orchard Parkway  
San Jose, CA 95131  
TEL 1(408) 441-0311  
FAX 1(408) 436-4314

### Microcontrollers

2325 Orchard Parkway  
San Jose, CA 95131  
TEL 1(408) 441-0311  
FAX 1(408) 436-4314

La Chantrerie  
BP 70602  
44306 Nantes Cedex 3, France  
TEL (33) 2-40-18-18-18  
FAX (33) 2-40-18-19-60

### ASIC/ASSP/Smart Cards

Zone Industrielle  
13106 Rousset Cedex, France  
TEL (33) 4-42-53-60-00  
FAX (33) 4-42-53-60-01

1150 East Cheyenne Mtn. Blvd.  
Colorado Springs, CO 80906  
TEL 1(719) 576-3300  
FAX 1(719) 540-1759

Scottish Enterprise Technology Park  
Maxwell Building  
East Kilbride G75 0QR, Scotland  
TEL (44) 1355-803-000  
FAX (44) 1355-242-743

### RF/Automotive

Theresienstrasse 2  
Postfach 3535  
74025 Heilbronn, Germany  
TEL (49) 71-31-67-0  
FAX (49) 71-31-67-2340

1150 East Cheyenne Mtn. Blvd.  
Colorado Springs, CO 80906  
TEL 1(719) 576-3300  
FAX 1(719) 540-1759

### Biometrics/Imaging/Hi-Rel MPU/ High Speed Converters/RF Datacom

Avenue de Rochepleine  
BP 123  
38521 Saint-Egreve Cedex, France  
TEL (33) 4-76-58-30-00  
FAX (33) 4-76-58-34-80

---

### e-mail

[literature@atmel.com](mailto:literature@atmel.com)

### Web Site

<http://www.atmel.com>

### © Atmel Corporation 2003.

Atmel Corporation makes no warranty for the use of its products, other than those expressly contained in the Company's standard warranty which is detailed in Atmel's Terms and Conditions located on the Company's web site. The Company assumes no responsibility for any errors which may appear in this document, reserves the right to change devices or specifications detailed herein at any time without notice, and does not make any commitment to update the information contained herein. No licenses to patents or other intellectual property of Atmel are granted by the Company in connection with the sale of Atmel products, expressly or by implication. Atmel's products are not authorized for use as critical components in life support devices or systems.

Atmel® is the registered trademark of Atmel.

IDIC® stands for IDentification Integrated Circuit and is a trademark of Atmel Germany GmbH.

Other terms and product names may be the trademarks of others.



Printed on recycled paper.