

阅读申明

- 1.本站收集的数据手册和产品资料都来自互联网，版权归原作者所有。如读者和版权方有任何异议请及时告之，我们将妥善解决。
- 2.本站提供的中文数据手册是英文数据手册的中文翻译，其目的是协助用户阅读，该译文无法自动跟随原稿更新，同时也可能存在翻译上的不当。建议读者以英文原稿为参考以便获得更精准的信息。
- 3.本站提供的产品资料，来自厂商的技术支持或者使用者的心得体会等，其内容可能存在描述上的差异，建议读者做出适当判断。
- 4.如需与我们联系，请发邮件到marketing@iczoom.com，主题请标有“数据手册”字样。

Read Statement

1. The datasheets and other product information on the site are all from network reference or other public materials, and the copyright belongs to the original author and original published source. If readers and copyright owners have any objections, please contact us and we will deal with it in a timely manner.
2. The Chinese datasheets provided on the website is a Chinese translation of the English datasheets. Its purpose is for reader's learning exchange only and do not involve commercial purposes. The translation cannot be automatically updated with the original manuscript, and there may also be improper translations. Readers are advised to use the English manuscript as a reference for more accurate information.
3. All product information provided on the website refer to solutions from manufacturers' technical support or users the contents may have differences in description, and readers are advised to take the original article as the standard.
4. If you have any questions, please contact us at marketing@iczoom.com and mark the subject with "Datasheets" .

BMA120

Digital, triaxial acceleration sensor

Bosch Sensortec



BOSCH
Invented for life

General description

The BMA120 is a triaxial, low-g acceleration sensor with digital interfaces, aiming for low-power consumer market applications.

The BMA120 allows measurement of accelerations in 3 perpendicular axes. An evaluation circuitry converts the output of a three-channel micromechanical acceleration sensing structure that works according to the differential capacitance principle.

The BMA120 senses tilt, motion, shock and vibration in cell phones, handhelds, computer peripherals, man-machine interfaces, virtual reality features and game controllers.

BMA120 target applications

- ▶ Display profile switching (e.g. portrait/landscape)
- ▶ Tap/Double-tap function
- ▶ Menu scrolling
- ▶ Gaming
- ▶ Advanced power management for mobile devices
- ▶ Drop protection for warranty logging
- ▶ Shock detection
- ▶ Pedometer/step counting

Sensor operation

The BMA120 represents a new generation of digital acceleration sensors. The BMA120 integrates a multitude of features that facilitates its use especially in the area of motion detection applications, such as device orientation detection, gaming, HMI and menu browser control.

Key features BMA120

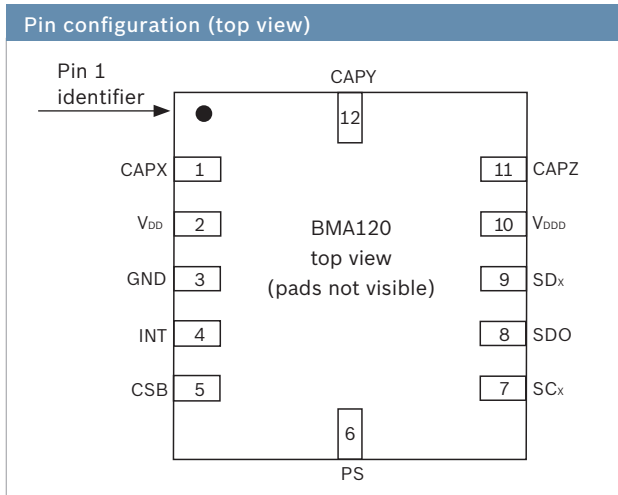
- ▶ User programmable g-range and bandwidth
- ▶ Low-power consumption
- ▶ SPI (3-wire/4-wire) and I²C interface
- ▶ User programmable interrupt engine
- ▶ Ultra-low-power self-wake-up mode
- ▶ Very small package
- ▶ RoHS compliant, halogen-free

The BMA 120 is highly configurable in order to give the designer full flexibility when integrating the sensor into his system. All features can be set by software via the digital interface.

As already introduced with the successful BMA150 and SMB380 acceleration sensors, also for the BMA120 g-ranges and bandwidths can be user programmed via the serial digital interface. Here the user can choose between an I²C and an SPI (3-wire/4-wire) interface modes.

One of the key elements of the BMA120 is the intelligent interrupt engine that gives the hard- and software designer full control. Various motion detection scenarios can be identified by the BMA120 and signaled to the system via a simple interrupt pin. By using the digital serial interface, the exact details of the motion event that triggered the interrupt can be read-out from the BMA120.

Technical data	BMA120
Sensitivity axes	x/y/z
Measurement range	±2g, ±4g, ±8g, ±16g (switchable via SPI/I ² C)
Sensitivity (calibrated)	2g: 16LSB/g 4g: 8LSB/g 8g: 4LSB/g 16g: 2LSB/g
Resolution	6bit ⇒ 62.5mg (±2g range)
Nonlinearity	±2% FS
Zero-g offset	±100 mg (typ.)
Bandwidth	50Hz, 75Hz, 150Hz, 250Hz, 600Hz, 1kHz (switchable via SPI/I ² C)
Digital input/output	SPI & I ² C, interrupt pin
Supply voltage (V _{DD} / V _{DDIO})	1.8V (±10%)
Temperature range	-20°C ... +70°C
LGA package	3 mm x 3 mm x 0.9mm



Pin No.	Name	Function
1	CAPX	Do not connect! (recommended)
2	V _{DD}	Power supply analog
3	GND	Shared ground
4	INT	Interrupt output
5	CSB	SPI chip-select
6	PS	Protocol select pin
7	SCL SCK	I ² C(SCL) / SPC(SCK) serial clock
8	SDO	SPI serial data output
9	SDA, SDI, SDO	I ² C/SPI serial data in/out
10	V _{DDD}	Power supply digital
11	CAPZ	Do not connect! (recommended)
12	CAPY	Do not connect! (recommended)

Following motion detection scenarios are supported by the interrupt engine:

- ▶ Any-motion (slope) detection
- ▶ Tap sensing
- ▶ Orientation change recognition
- ▶ Low-g / high-g detection
- ▶ Data-ready
- ▶ Self-wake-up

The interrupts can be configured by the user and thus perfectly support the integration of the BMA120 into the user's system environment.

Another important feature of the BMA120 acceleration sensor is the power management module. This module allows for optimizing the sensor's power consumption in-line with the specific user requirements. Thus, it is not necessary to operate the sensor at full power for all application scenarios all the time. For some uses cases the power consumption drastically shrinks to just a fraction of what would be required in full performance mode.

The power modes the BMA120 supports are:

Mode	Wake-up time	Current consumption @ 1.8V V _{DD}
Power-off	only 1 ms	0 μA
Suspend	≤ 400 μs	1 μA (typ.)
Low-power (sleep)	≤ 400 μs	2 μA (typ.)
Full performance	–	430 μA

The BMA120 also features self-test capability, allowing for testing of the complete signal evaluation path including the micromachined sensor structure and the evaluation ASIC.

Headquarters

Bosch Sensortec GmbH

Gerhard-Kindler-Strasse 8
72770 Reutlingen · Germany
Telephone +49 7121 3535 900
Fax +49 7121 3535 909
contact@bosch-sensortec.com
www.bosch-sensortec.com