

## 阅读申明

- 1.本站收集的数据手册和产品资料都来自互联网，版权归原作者所有。如读者和版权方有任何异议请及时告之，我们将妥善解决。
- 2.本站提供的中文数据手册是英文数据手册的中文翻译，其目的是协助用户阅读，该译文无法自动跟随原稿更新，同时也可能存在翻译上的不当。建议读者以英文原稿为参考以便获得更精准的信息。
- 3.本站提供的产品资料，来自厂商的技术支持或者使用者的心得体会等，其内容可能存在描述上的差异，建议读者做出适当判断。
- 4.如需与我们联系，请发邮件到marketing@iczoom.com，主题请标有“数据手册”字样。

## Read Statement

1. The datasheets and other product information on the site are all from network reference or other public materials, and the copyright belongs to the original author and original published source. If readers and copyright owners have any objections, please contact us and we will deal with it in a timely manner.
2. The Chinese datasheets provided on the website is a Chinese translation of the English datasheets. Its purpose is for reader's learning exchange only and do not involve commercial purposes. The translation cannot be automatically updated with the original manuscript, and there may also be improper translations. Readers are advised to use the English manuscript as a reference for more accurate information.
3. All product information provided on the website refer to solutions from manufacturers' technical support or users the contents may have differences in description, and readers are advised to take the original article as the standard.
4. If you have any questions, please contact us at marketing@iczoom.com and mark the subject with "Datasheets" .

---

*Fully Integrated, Hall Effect-Based Linear Current Sensor IC  
with High Voltage Isolation and a Low-Resistance Current Conductor*

---

## **Discontinued Product**

This device is no longer in production. The device should not be purchased for new design applications. Samples are no longer available.

Date of status change: November 2, 2009

### **Recommended Substitutions:**

*For existing customer transition, and for new customers or new applications, refer to the [ACS756](#) and [ACS758](#).*

---

NOTE: For detailed information on purchasing options, contact your local Allegro field applications engineer or sales representative.

---

*Allegro MicroSystems, Inc. reserves the right to make, from time to time, revisions to the anticipated product life cycle plan for a product to accommodate changes in production capabilities, alternative product availabilities, or market demand. The information included herein is believed to be accurate and reliable. However, Allegro MicroSystems, Inc. assumes no responsibility for its use; nor for any infringements of patents or other rights of third parties which may result from its use.*

---

## Fully Integrated, Hall Effect-Based Linear Current Sensor IC with High Voltage Isolation and a Low-Resistance Current Conductor

### Features and Benefits

- Monolithic Hall IC for high reliability
- Single +5 V supply
- 3 kV<sub>RMS</sub> isolation voltage between terminals 4/5 and pins 1/2/3 for up to 1 minute
- 35 kHz bandwidth
- Automotive temperature range
- End-of-line factory-trimmed for gain and offset
- Ultra-low power loss: 100 μΩ internal conductor resistance
- Ratiometric output from supply voltage
- Extremely stable output offset voltage
- Small package size, with easy mounting capability
- Output proportional to AC and DC currents

### Package: 5 pin package (leadform PFF)



### Description

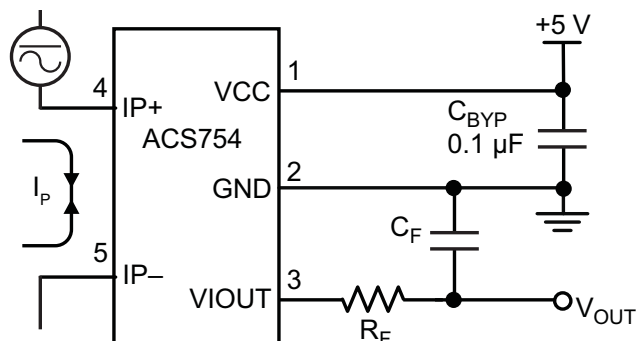
The Allegro ACS75x family of current sensor ICs provides economical and precise solutions for current sensing in industrial, automotive, commercial, and communications systems. The device package allows for easy implementation by the customer. Typical applications include motor control, load detection and management, power supplies, and overcurrent fault protection.

The device consists of a precision, low-offset linear Hall circuit with a copper conduction path located near the die. Applied current flowing through this copper conduction path generates a magnetic field which the Hall IC converts into a proportional voltage. Device accuracy is optimized through the close proximity of the magnetic signal to the Hall transducer. A precise, proportional voltage is provided by the low-offset, chopper-stabilized BiCMOS Hall IC, which is programmed for accuracy at the factory.

The output of the device has a positive slope ( $>V_{CC}/2$ ) when an increasing current flows through the primary copper conduction path (from terminal 4 to terminal 5), which is the path used for current sampling. The internal resistance of this conductive path is typically 100 μΩ, providing low power loss. The thickness of the copper conductor allows survival of the device at up to

*Continued on the next page...*

### Typical Application



Application 1. The ACS754 outputs an analog signal,  $V_{OUT}$ , that varies linearly with the uni- or bi-directional AC or DC primary sampled current,  $I_P$ , within the range specified.  $C_F$  is recommended for noise management, with values that depend on the application.

**Description (continued)**

5× overcurrent conditions. The terminals of the conductive path are electrically isolated from the signal leads (pins 1 through 3). This allows the ACS75x family of sensor ICs to be used in applications requiring electrical isolation without the use of opto-isolators or other costly isolation techniques.

The device is fully calibrated prior to shipment from the factory. The ACS75x family is lead (Pb) free. All pins are coated with 100% matte tin, and there is no lead inside the package. The heavy gauge leadframe is made of oxygen-free copper.

**Selection Guide**

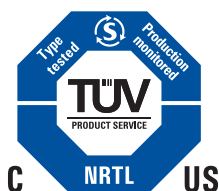
| Part Number                              | T <sub>OP</sub> (°C) | Primary Sampled Current, I <sub>P</sub> (A) | Sensitivity Sens (Typ.) (mV/A) | Package   |             | Packing <sup>1</sup> |
|--|----------------------|---|--------------------------------|-----------|-------------|----------------------|
|  |                      |   |                                | Terminals | Signal Pins |                      |
| <del>ACS754LCB-130-PFF<sup>2</sup></del> | -40 to 150           | ±130  | 15                             | Formed    | Formed      | Bulk, 170 pieces/bag |
| <del>ACS754LCB-130-PSF<sup>2</sup></del> | -40 to 150           | ±130  | 15                             | Straight  | Formed      |                      |
| <del>ACS754SCB-130-PFF<sup>2</sup></del> | -20 to 85            | ±130  | 15                             | Formed    | Formed      |                      |
| <del>ACS754SCB-130-PSF<sup>2</sup></del> | -20 to 85            | ±130  | 15                             | Straight  | Formed      |                      |

<sup>1</sup>Contact Allegro for additional packing options.

<sup>2</sup>Variant is in production but has been determined to be LAST TIME BUY. This classification indicates that the variant is obsolete and notice has been given. Sale of the variant is currently restricted to existing customer applications. The variant should not be purchased for new design applications because of obsolescence in the near future. Samples are no longer available. Status date change May 4, 2009. Deadline for receipt of LAST TIME BUY orders is November 4, 2009.

**Absolute Maximum Ratings**

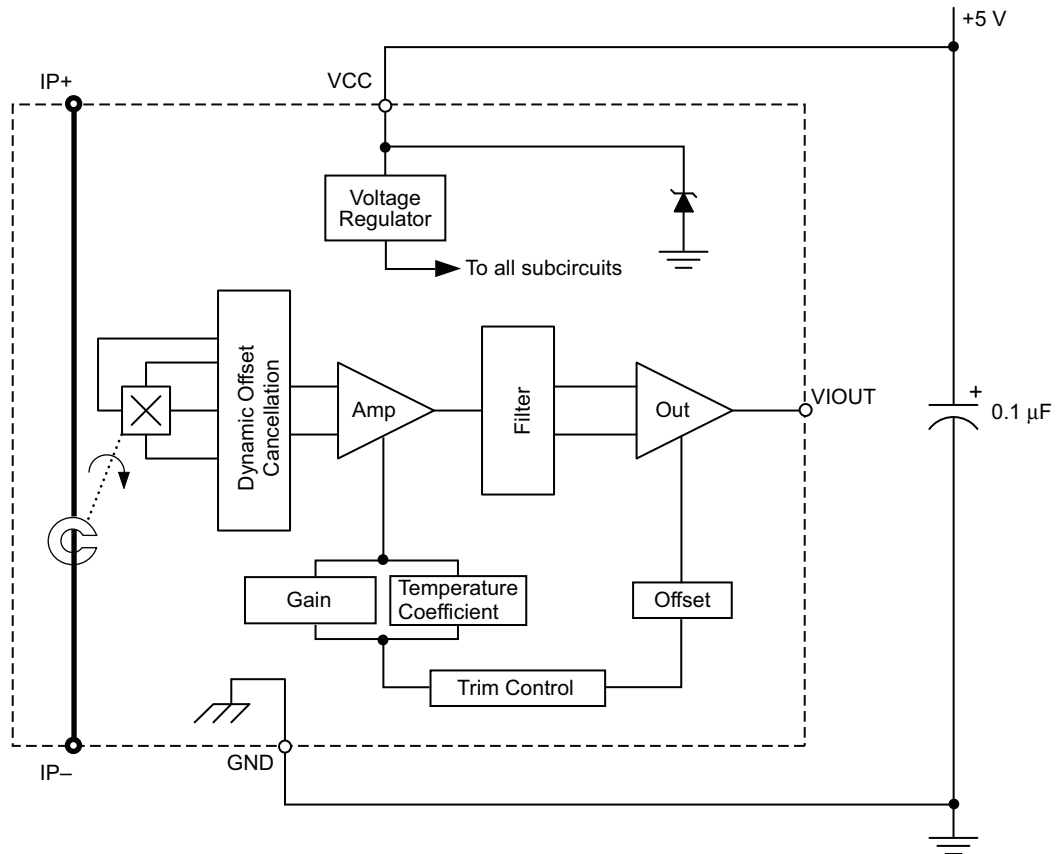
| Characteristic                        | Symbol                   | Notes   | Rating                               | Units |
|---------------------------------------|--------------------------|---------|--------------------------------------|-------|
| Supply Voltage                        | V <sub>CC</sub>          |         | 16                                   | V     |
| Reverse Supply Voltage                | V <sub>RCC</sub>         |         | -16                                  | V     |
| Output Voltage                        | V <sub>IOUT</sub>        |         | 16                                   | V     |
| Reverse Output Voltage                | V <sub>RIOUT</sub>       |         | -0.1                                 | V     |
| Maximum Basic Isolation Voltage       | V <sub>ISO</sub>         |         | 353 VAC, 500 VDC, or V <sub>pk</sub> | V     |
| Maximum Rated Input Current           | I <sub>IN</sub>          |         | 200                                  | A     |
| Output Current Source                 | I <sub>OUT(SOURCE)</sub> |         | 3                                    | mA    |
| Output Current Sink                   | I <sub>OUT(SINK)</sub>   |         | 10                                   | mA    |
| Nominal Operating Ambient Temperature | T <sub>A</sub>           | Range L | -40 to 150                           | °C    |
|                                       |                          | Range S | -20 to 85                            | °C    |
| Maximum Junction                      | T <sub>J(max)</sub>      |         | 165                                  | °C    |
| Storage Temperature                   | T <sub>stg</sub>         |         | -65 to 170                           | °C    |



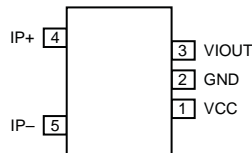
|   |   |
|---|---|
| TÜV America<br>Certificate Number:<br>U8V 04 11 54214 001 | Fire and Electric Shock<br>EN60950-1:2001 |
|---|---|



Functional Block Diagram



Pin-out Diagram



Terminal List Table

| Number | Name  | Description                        |
|--------|-------|------------------------------------|
| 1      | VCC   | Device power supply pin            |
| 2      | GND   | Signal ground pin                  |
| 3      | VIOUT | Analog output signal pin           |
| 4      | IP+   | Terminal for current being sampled |
| 5      | IP-   | Terminal for current being sampled |

**ELECTRICAL CHARACTERISTICS, over operating ambient temperature range unless otherwise stated**

| Characteristic               | Symbol        | Test Conditions                       | Min. | Typ. | Max. | Units       |
|------------------------------|---------------|---------------------------------------|------|------|------|-------------|
| Primary Sampled Current      | $I_P$         |                                       | -130 | -    | 130  | A           |
| Supply Voltage               | $V_{CC}$      |                                       | 4.5  | 5.0  | 5.5  | V           |
| Supply Current               | $I_{CC}$      | $V_{CC} = 5.0$ V, output open         | 6.5  | 8    | 10   | mA          |
| Output Resistance            | $R_{OUT}$     | $I_{OUT} = 1.2$ mA                    | -    | 1    | 2    | $\Omega$    |
| Output Capacitance Load      | $C_{LOAD}$    | VOUT to GND                           | -    | -    | 10   | nF          |
| Output Resistive Load        | $R_{LOAD}$    | VOUT to GND                           | 4.7  | -    | -    | k $\Omega$  |
| Primary Conductor Resistance | $R_{PRIMARY}$ | $I_P = \pm 100$ A; $T_A = 25^\circ$ C | -    | 100  | -    | $\mu\Omega$ |
| Isolation Voltage            | $V_{ISO}$     | Pins 1-3 and 4-5; 60 Hz, 1 minute     | 3.0  | -    | -    | kV          |

**PERFORMANCE CHARACTERISTICS, -20°C to +85°C,  $V_{CC} = 5$  V unless otherwise specified**

|  |                |  |      |            |            |         |
|--|----------------|--|------|------------|------------|---------|
| Propagation time   | $t_{PROP}$     | $I_P = \pm 50$ A, $T_A = 25^\circ$ C                 | -    | 4          | -          | $\mu$ s |
| Response time  | $t_{RESPONSE}$ | $I_P = \pm 50$ A, $T_A = 25^\circ$ C                 | -    | 11         | -          | $\mu$ s |
| Rise time  | $t_r$          | $I_P = \pm 50$ A, $T_A = 25^\circ$ C                 | -    | 10         | -          | $\mu$ s |
| Frequency Bandwidth  | f              | -3 dB, $T_A = 25^\circ$ C                            | -    | 35         | -          | kHz     |
| Sensitivity  | Sens           | Over full range of $I_P$ , $T_A = 25^\circ$ C        | -    | 15         | -          | mV/A    |
|  |                | Over full range of $I_P$                             | 14.2 | -          | 15.8       | mV/A    |
| Noise  | $V_{NOISE}$    | Peak-to-peak, $T_A = 25^\circ$ C, no external filter | -    | 40         | -          | mV      |
| Linearity  | $E_{LIN}$      | Over full range of $I_P$                             | -    | -          | $\pm 0.8$  | %       |
| Symmetry   | $E_{SYM}$      | Over full range of $I_P$                             | 98   | 100        | 102        | %       |
| Zero Current Output Voltage                                | $V_{OUT(Q)}$   | $I = 0$ A, $T_A = 25^\circ$ C                        | -    | $V_{CC}/2$ | -          | V       |
| Electrical Offset Voltage<br>(Magnetic error not included) | $V_{OE}$       | $I = 0$ A, $T_A = 25^\circ$ C                        | -10  | -          | 10         | mV      |
|  |                | $I = 0$ A  | -20  | -          | 20         | mV      |
| Magnetic Offset Error                                      | $I_{ERROM}$    | $I = 0$ A, after excursion of 130 A                  | -    | $\pm 0.1$  | $\pm 0.40$ | A       |
| Total Output Error<br>(Including all offsets)              | $E_{TOT}$      | Over full range of $I_P$ , $T_A = 25^\circ$ C        | -    | $\pm 1.0$  | -          | %       |
|  |                | Over full range of $I_P$                             | -    | -          | $\pm 5.0$  | %       |

**PERFORMANCE CHARACTERISTICS, -40°C to +150°C,  $V_{CC} = 5$  V unless otherwise specified**

|  |                |  |      |            |            |         |
|--|----------------|--|------|------------|------------|---------|
| Propagation time   | $t_{PROP}$     | $I_P = \pm 50$ A, $T_A = 25^\circ$ C                 | -    | 4          | -          | $\mu$ s |
| Response time  | $t_{RESPONSE}$ | $I_P = \pm 50$ A, $T_A = 25^\circ$ C                 | -    | 11         | -          | $\mu$ s |
| Rise time  | $t_r$          | $I_P = \pm 50$ A, $T_A = 25^\circ$ C                 | -    | 10         | -          | $\mu$ s |
| Frequency Bandwidth  | f              | -3 dB, $T_A = 25^\circ$ C                            | -    | 35         | -          | kHz     |
| Sensitivity  | Sens           | Over full range of $I_P$ , $T_A = 25^\circ$ C        | -    | 15         | -          | mV/A    |
|  |                | Over full range of $I_P$                             | 13.8 | -          | 16.2       | mV/A    |
| Noise  | $V_{NOISE}$    | Peak-to-peak, $T_A = 25^\circ$ C, no external filter | -    | 40         | -          | mV      |
| Linearity  | $E_{LIN}$      | Over full range of $I_P$                             | -    | -          | $\pm 1.5$  | %       |
| Symmetry   | $E_{SYM}$      | Over full range of $I_P$                             | 98   | 100        | 102        | %       |
| Zero Current Output Voltage                                | $V_{OUT(Q)}$   | $I = 0$ A, $T_A = 25^\circ$ C                        | -    | $V_{CC}/2$ | -          | V       |
| Electrical Offset Voltage<br>(Magnetic error not included) | $V_{OE}$       | $I = 0$ A, $T_A = 25^\circ$ C                        | -10  | -          | 10         | mV      |
|  |                | $I = 0$ A  | -35  | -          | 35         | mV      |
| Magnetic Offset Error                                      | $I_{ERROM}$    | $I = 0$ A, after excursion of 130 A                  | -    | $\pm 0.1$  | $\pm 0.40$ | A       |
| Total Output Error<br>(Including all offsets)              | $E_{TOT}$      | Over full range of $I_P$ , $T_A = 25^\circ$ C        | -    | $\pm 1.0$  | -          | %       |
|  |                | Over full range of $I_P$                             | -    | -          | $\pm 8.0$  | %       |

## Definitions of Accuracy Characteristics

**Sensitivity (Sens).** The change in device output in response to a 1 A change through the primary conductor. The sensitivity is the product of the magnetic circuit sensitivity (G/A) and the linear IC amplifier gain (mV/G). The linear IC amplifier gain is programmed at the factory to optimize the sensitivity (mV/A) for the full-scale current of the device.

**Noise ( $V_{NOISE}$ ).** The product of the linear IC amplifier gain (mV/G) and the noise floor for the Allegro Hall effect linear IC ( $\approx 1$  G). The noise floor is derived from the thermal and shot noise observed in Hall elements. Dividing the noise (mV) by the sensitivity (mV/A) provides the smallest current that the device is able to resolve.

**Linearity ( $E_{LIN}$ ).** The degree to which the voltage output from the IC varies in direct proportion to the primary current through its full-scale amplitude. Nonlinearity in the output can be attributed to the saturation of the flux concentrator approaching the full-scale current. The following equation is used to derive the linearity:

$$100 \left\{ 1 - \left[ \frac{\Delta \text{ gain} \times \% \text{ sat} (V_{IOUT\_full-scale \text{ amperes}} - V_{IOUT(Q)})}{2 (V_{IOUT\_half-scale \text{ amperes}} - V_{IOUT(Q)})} \right] \right\}$$

where

$\Delta$  gain = the gain variation as a function of temperature changes from 25°C,

% sat = the percentage of saturation of the flux concentrator, which becomes significant as the current being sampled approaches full-scale  $\pm I_P$ , and

$V_{IOUT\_full-scale \text{ amperes}}$  = the output voltage (V) when the sampled current approximates full-scale  $\pm I_P$ .

**Symmetry ( $E_{SYM}$ ).** The degree to which the absolute voltage output from the IC varies in proportion to either a positive or negative full-scale primary current. The following equation is used to derive symmetry:

$$100 \left( \frac{V_{IOUT\_+ \text{ full-scale amperes}} - V_{IOUT(Q)}}{V_{IOUT(Q)} - V_{IOUT\_ - \text{ full-scale amperes}}} \right)$$

**Quiescent output voltage ( $V_{IOUT(Q)}$ ).** The output of the device when the primary current is zero. For a unipolar supply voltage, it nominally remains at  $V_{CC}/2$ . Thus,  $V_{CC} = 5$  V translates into  $V_{IOUT(Q)} = 2.5$  V. Variation in  $V_{OUT(Q)}$  can be attributed to the resolution of the Allegro linear IC quiescent voltage trim, magnetic hysteresis, and thermal drift.

**Electrical offset voltage ( $V_{OE}$ ).** The deviation of the device output from its ideal quiescent value of  $V_{CC}/2$  due to nonmagnetic causes.

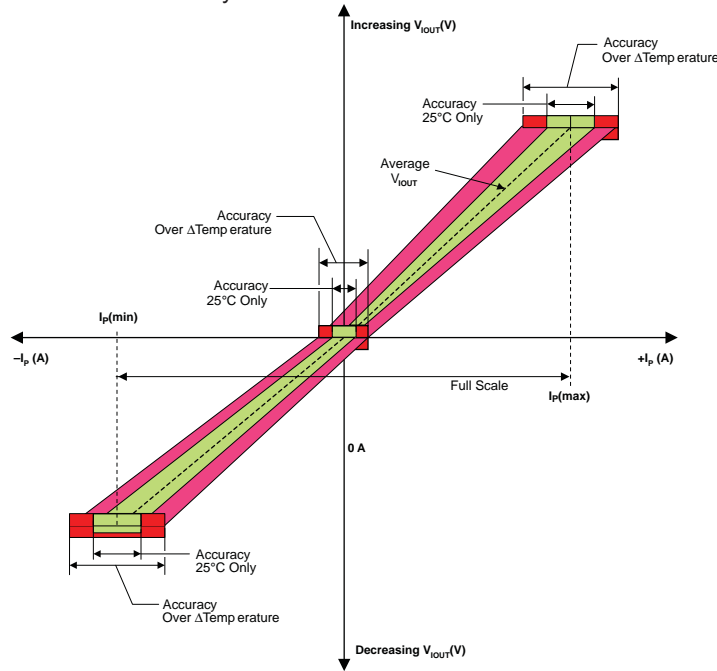
**Magnetic offset error ( $I_{ERROM}$ ).** The magnetic offset is due to the residual magnetism (remnant field) of the core material. The magnetic offset error is highest when the magnetic circuit has been saturated, usually when the device has been subjected to a full-scale or high-current overload condition. The magnetic offset is largely dependent on the material used as a flux concentrator. The larger magnetic offsets are observed at the lower operating temperatures.

**Accuracy ( $E_{TOT}$ ).** The accuracy represents the maximum deviation of the actual output from its ideal value. This is also known as the total output error. The accuracy is illustrated graphically in the output voltage versus current chart on the following page.

Accuracy is divided into four areas:

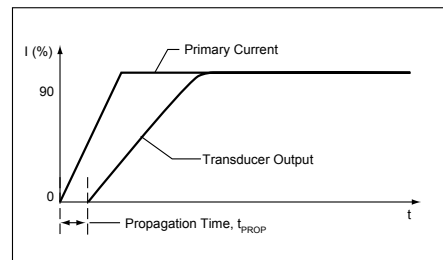
- **0 A at 25°C.** Accuracy at the zero current flow at 25°C, without the effects of temperature.
- **0 A over  $\Delta$  temperature.** Accuracy at the zero current flow including temperature effects.
- **Full-scale current at 25°C.** Accuracy at the the full-scale current at 25°C, without the effects of temperature.
- **Full-scale current over  $\Delta$  temperature.** Accuracy at the full-scale current flow including temperature effects.

Output Voltage versus Sampled Current  
Accuracy at 0 A and at Full-Scale Current

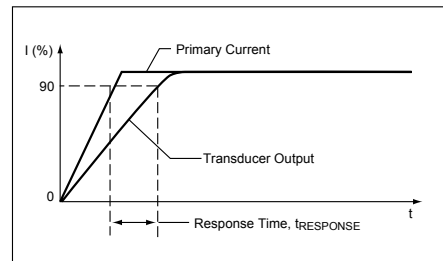


Definitions of Dynamic Response Characteristics

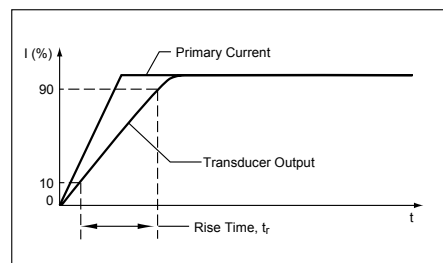
**Propagation delay ( $t_{PROP}$ ).** The time required for the device output to reflect a change in the primary current signal. Propagation delay is attributed to inductive loading within the linear IC package, as well as in the inductive loop formed by the primary conductor geometry. Propagation delay can be considered as a fixed time offset and may be compensated.



**Response time ( $t_{RESPONSE}$ ).** The time interval between a) when the primary current signal reaches 90% of its final value, and b) when the device reaches 90% of its output corresponding to the applied current.

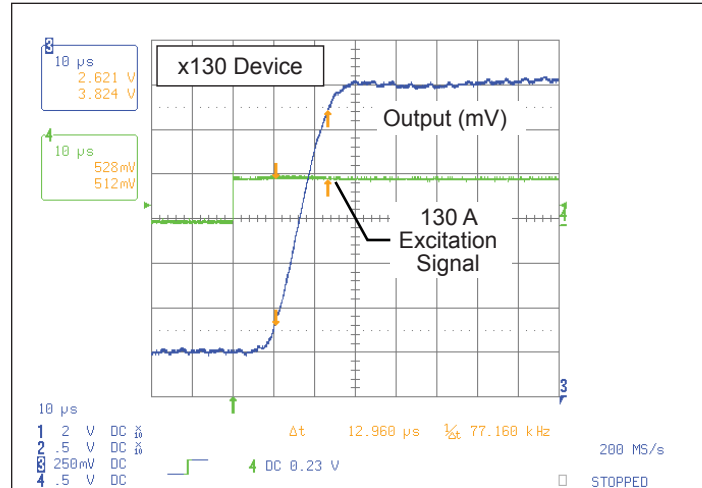


**Rise time ( $t_r$ ).** The time interval between a) when the device reaches 10% of its full scale value, and b) when it reaches 90% of its full scale value. The rise time to a step response is used to derive the bandwidth of the device, in which  $f(-3 \text{ dB}) = 0.35/t_r$ . Both  $t_r$  and  $t_{RESPONSE}$  are detrimentally affected by eddy current losses observed in the conductive IC ground plane.

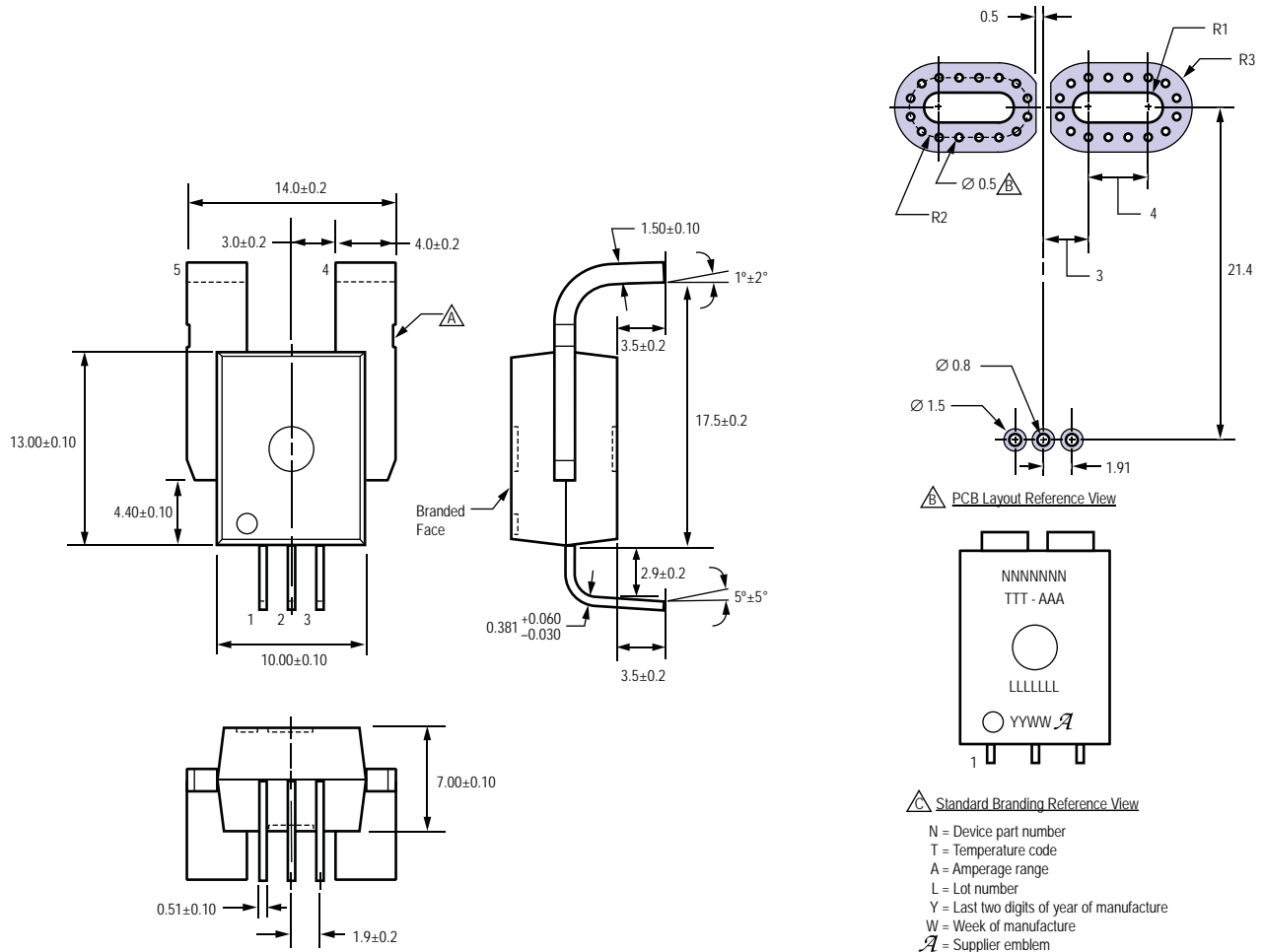




Step Response  
No external filter,  $T_A=25^\circ\text{C}$



Package CB, 5-pin package  
Leadform PFF



Creepage distance, current terminals to signal pins: 7.25 mm  
Clearance distance, current terminals to signal pins: 7.25 mm  
Package mass: 4.63 g typical

For Reference Only; not for tooling use (reference DWG-9111, DWG-9110)  
Dimensions in millimeters  
Dimensions exclusive of mold flash, gate burrs, and dambar protrusions  
Exact case and lead configuration at supplier discretion within limits shown

- Dambar removal intrusion
- Perimeter through-holes recommended
- Branding scale and appearance at supplier discretion

Copyright ©2004-2009, Allegro MicroSystems, Inc.

The products described herein are manufactured under one or more of the following U.S. patents: 5,619,137; 5,621,319; 6,781,359; 7,075,287; 7,166,807; 7,265,531; 7,425,821; or other patents pending.

Allegro MicroSystems, Inc. reserves the right to make, from time to time, such departures from the detail specifications as may be required to permit improvements in the performance, reliability, or manufacturability of its products. Before placing an order, the user is cautioned to verify that the information being relied upon is current.

Allegro's products are not to be used in life support devices or systems, if a failure of an Allegro product can reasonably be expected to cause the failure of that life support device or system, or to affect the safety or effectiveness of that device or system.

The information included herein is believed to be accurate and reliable. However, Allegro MicroSystems, Inc. assumes no responsibility for its use; nor for any infringement of patents or other rights of third parties which may result from its use.

For the latest version of this document, visit our website:

[www.allegromicro.com](http://www.allegromicro.com)



Allegro MicroSystems, Inc.  
115 Northeast Cutoff  
Worcester, Massachusetts 01615-0036 U.S.A.  
1.508.853.5000; [www.allegromicro.com](http://www.allegromicro.com)