

阅读申明

- 1.本站收集的数据手册和产品资料都来自互联网，版权归原作者所有。如读者和版权方有任何异议请及时告之，我们将妥善解决。
- 2.本站提供的中文数据手册是英文数据手册的中文翻译，其目的是协助用户阅读，该译文无法自动跟随原稿更新，同时也可能存在翻译上的不当。建议读者以英文原稿为参考以便获得更精准的信息。
- 3.本站提供的产品资料，来自厂商的技术支持或者使用者的心得体会等，其内容可能存在描述上的差异，建议读者做出适当判断。
- 4.如需与我们联系，请发邮件到marketing@iczoom.com，主题请标有“数据手册”字样。

Read Statement

1. The datasheets and other product information on the site are all from network reference or other public materials, and the copyright belongs to the original author and original published source. If readers and copyright owners have any objections, please contact us and we will deal with it in a timely manner.
2. The Chinese datasheets provided on the website is a Chinese translation of the English datasheets. Its purpose is for reader's learning exchange only and do not involve commercial purposes. The translation cannot be automatically updated with the original manuscript, and there may also be improper translations. Readers are advised to use the English manuscript as a reference for more accurate information.
3. All product information provided on the website refer to solutions from manufacturers' technical support or users the contents may have differences in description, and readers are advised to take the original article as the standard.
4. If you have any questions, please contact us at marketing@iczoom.com and mark the subject with "Datasheets" .

AEAT-6010/6012 Magnetic Encoder

10 or 12 bit Angular Detection Device

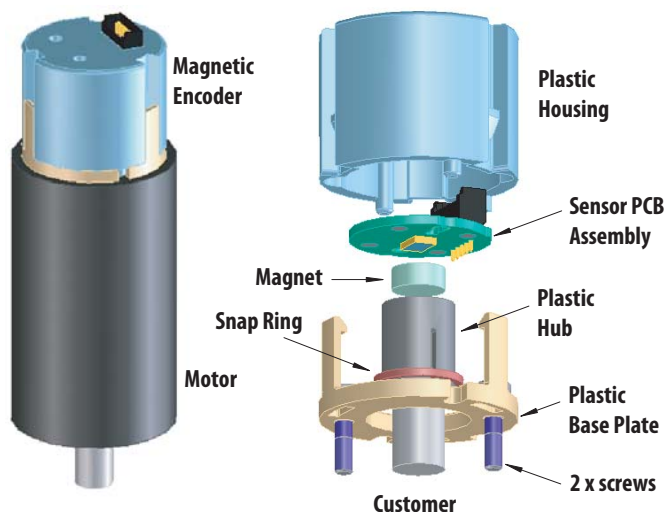


Data Sheet

Description

Avago Technologies' AEAT-60xx series of magnetic encoders provides an integrated solution for angular detection. With ease of use in mind, these magnetic encoders are ideal for angular detection within 360°. Based on magnetic technologies, the device is non-contact and ensures reliable operations. It is able to provide absolute angle detection upon power-up, with a resolution of 0.0879°(12 bits version) or 0.35°(10bits version), which is equivalent to 4096 and 1024 positions per revolution respectively. The positional data is provided in serial bit stream. There is no upper speed limit; the only restriction is that there will be fewer samples per revolution as the speed increases.

Exploded View



Features

- 10 or 12 bits resolution
- Contactless sensing technologies
- Wide temperature range from -40° to 125°C
- Absolute angular position detection
- Synchronous serial interface (SSI) output for absolute position data (binary format)
- Code monotony error = ± 1 LSB
- 5V supply
- Easy Assembly, No Signal Adjustment required
- RoHS compliant

Applications

- Flow meter
- Angular detection
- Knob control
- Rotary encoder

Note: "This product is not specifically designed or manufactured for use in any specific device. Customers are solely responsible for determining the suitability of this product for its intended application and solely liable for all loss, damage, expense or liability in connection with such use."

Device Selection Guide [1]

| Part Number | Resolution (bit) | Operating Temperature (°C) | Output Communication | DC Supply Voltage (V), V _{DD} |
|---------------|------------------|----------------------------|----------------------|--|
| AEAT-6012-A06 | 12 | -40 to +125 | Serial | +5.0 |
| AEAT-6010-A06 | 10 | -40 to +125 | Serial | +5.0 |

Notes:

- For other options of Magnetic Encoder, please refer to factory.

Table 1. Absolute Maximum Ratings [2, 3]

| Parameter | Symbol | Limits | Units | Notes |
|---|------------------|------------------------------|-------|-------|
| DC Supply Voltage at pin V _{DD} = 5V | V _{DD} | -0.3 to +7 | V | |
| Input Voltage | V _i | -0.3 to V _{DD} +0.3 | V | |
| Storage Temperature | T _{STG} | -40 to 125 | °C | |

Notes:

- Stresses greater than those listed under Absolute Maximum Ratings may cause permanent damage to the device. This is stress rating only and functional operation of the device at these or any other conditions above those indicated in the operational sections of this specification is not implied.
- Exposure to absolute maximum rating conditions for extended periods may affect reliability.

Table 2. Recommended Operating Condition

| Parameter | Symbol | Values | Units | Notes |
|---|------------------|-------------|-------|--------|
| DC Supply Voltage at pin V _{DD} = 5V | V _{DD} | +4.5 / +5.5 | V | |
| Ambient Temperature | T _{amb} | -40 to +125 | °C | |
| Maximum Read-out Frequency | f _{CLK} | ≤1 | MHz | >0 MHz |

Table 3. DC Characteristics

DC Characteristics over Recommended Operating Range, typical at 25 °C

| Parameter | Symbol | Condition | Values | | | Units | Notes |
|-----------------------------|-----------------|-----------|----------------------|------|----------------------|-------|----------------------------|
| | | | Min | Typ. | Max | | |
| VDD Supply Current | I _{DD} | | | 16 | 20 | mA | |
| Output High Voltage D0 | V _{OH} | | V _{DD} -0.5 | | | V | |
| Output Low Voltage D0 | V _{OL} | | | | V _{SS} +0.4 | V | |
| Output Current D0 | I _O | | | | 4 | mA | V _{DD} pin = 4.5V |
| Input High Voltage CLK, CSn | V _{IH} | | 0.7*V _{DD} | | | | 4 |
| Input Low Voltage CLK, CSn | V _{IL} | | | | 0.3*V _{DD} | | |

Note:

- CSn is internal pull-up.

Package Dimensions

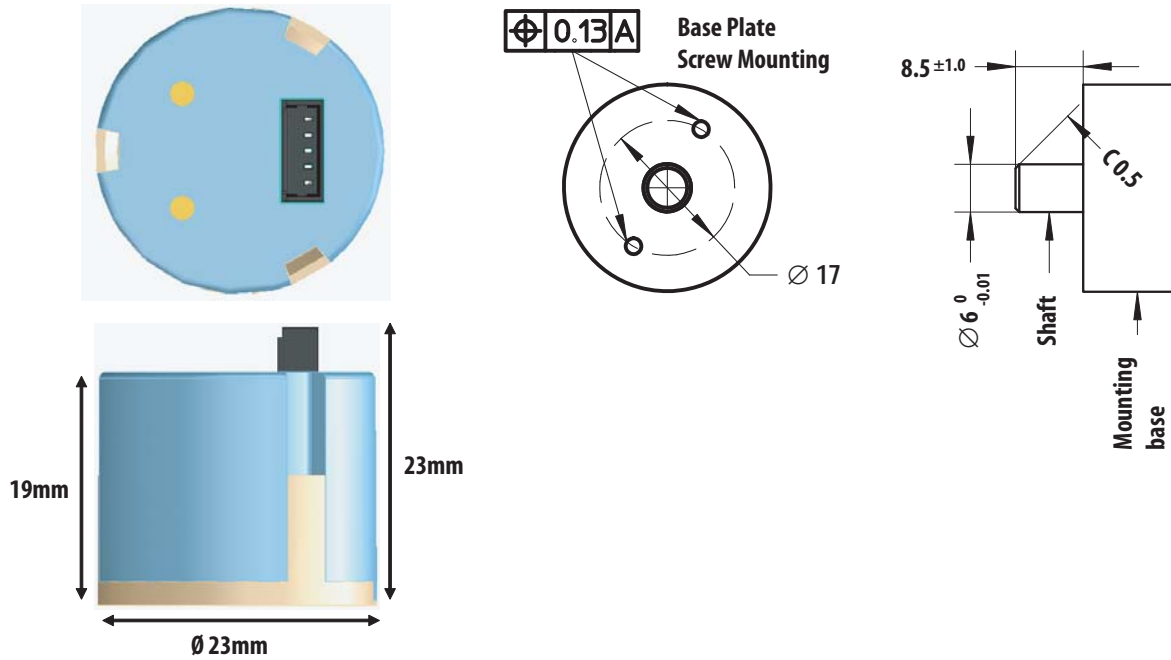


Figure 1. Package and recommended mounting dimension

Parameters

| No. | Parameter | Value |
|-----|-------------------------------------|---|
| 1 | Operating Temp(°C) | - 40 to +125 |
| 2 | Shaft axial play (mm) | ± 0.08 |
| 3 | Shaft TIR (mm) | 0.05 |
| 4 | Mechanical speed (rpm) | 12,000 |
| 5 | Shaft diameter (mm) | 6 + 0 / -0.01 |
| 6 | Moment inertia (g-cm ²) | 0.104 |
| 7 | Shaft length – (mm) | 8.5 ± 1.0 |
| 8 | Mounting screw size (mm) | M2 x 0.4 x 8 (socket head cap screw, head $\varnothing 3.8 \pm 0.18$ mm) |
| 9 | Recommended screw torque | 0.6 lb.inch |
| 10 | Encoder base plate thickness (mm) | 2 |
| 11 | Bolt circle | ± 0.13 |

* Note:- For high temperature application, it is highly recommended that adhesive be applied at least to the screw and the base plate interface. Refer Application Note for further details.

Table 4. Timing Characteristics

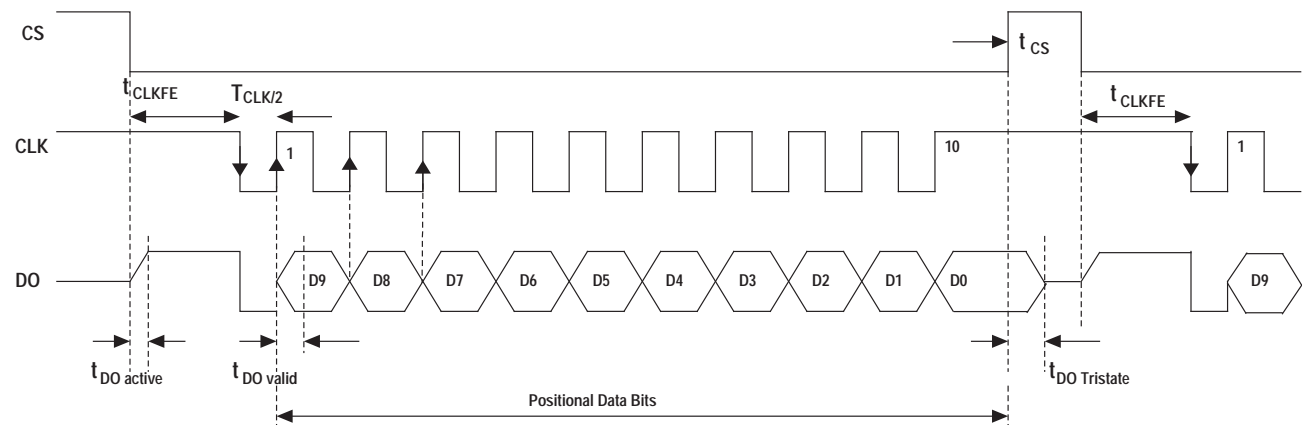
Timing Characteristics over Recommended Operating Range, typical at 25 °C

| Parameter | Symbol | Condition | Values | | | Units | Notes |
|---------------------------------------|--------------------|-----------|--------|-------|-------|-------|-------|
| | | | Min | Typ. | Max | | |
| Data output activated (logic high) | $T_{DO\ active}$ | | | | 100 | ns | 1 |
| First data shifted to output register | $t_{CLK\ FE}$ | | 500 | | | ns | 2 |
| Start of data output | $T_{CLK/2}$ | | 500 | | | ns | 3 |
| Data output valid | $T_{DO\ valid}$ | | | | 375 | ns | 4 |
| Data output tristate | $T_{DO\ tristate}$ | | | | 100 | ns | 5 |
| Pulse width of CSn | T_{CSn} | | 500 | | | ns | 6 |
| Sampling rate for absolute output | f_{abs} | | 9.9 | 10.42 | 10.94 | kHz | 7 |
| Power-up time | t_{CF} | | | | | | 8 |
| 10-bit version | | | - | - | 50 | ms | |
| 12-bit version | | | - | - | 20 | ms | |

Notes:

1. Time between falling edge of CSn and data output activated
2. Time between falling edge of CSn and first falling edge of CLK
3. Rising edge of CLK shifts out one bit a time
4. Time between rising edge of CLK and data output valid
5. After the last bit DO changes back to "tristate"
6. CSn=high; To initiate read-out of next angular position
7. Internal sampling rate.
8. Until internal compensation finished

Timing Characteristics



Notes:

1. Please refer to Table 4 for Timing Characteristics.
2. For 12 bits version; the Positional Data Bits will start with D11 instead and end at D0.

Figure 2. Timing Diagram for 10 bit Magnetic Encoder

Table 5. Linearity

| Parameter | Symbol | Min. | Typ. | Max | Units | Notes |
|----------------------------|--------|------|---------------|---------------|-------|------------------|
| Integral Non-Linearity | INL | - | ± 0.8 [1] | ± 2.4 [2] | Deg. | |
| Differential Non-Linearity | | | | | | |
| 10-bit version | DNL | - | - | ± 0.176 | Deg. | No missing codes |
| 12-bit version | | - | - | ± 0.044 | Deg. | No missing codes |

Notes:

1. Average value at typical operating and mounting conditions.
2. Maximum value over recommended operating range and over radial & axial mounting tolerances.

Linearity Definitions

Integral non-linearity

Integral non-linearity (INL) is the maximum deviation between actual angular position and the position indicated by the encoder's output count, over one revolution. It is defined as the most positive linearity error +INL or the most negative linearity error -INL from the best fit line, whichever is larger.

Differential non-linearity

Differential non-linearity (DNL) is the maximum deviation of the step length from one position to the next.

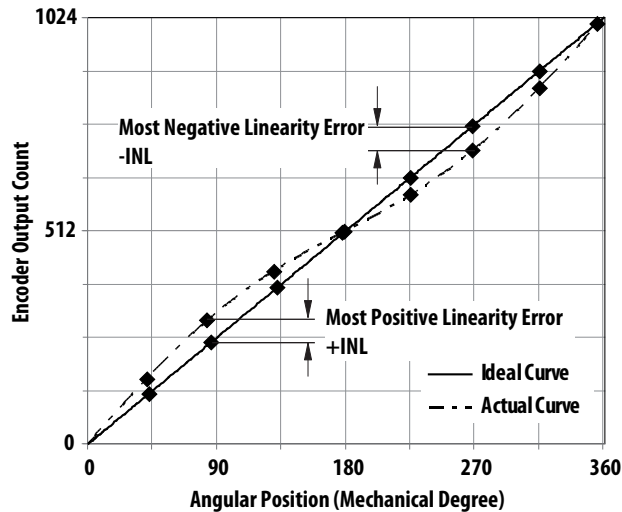


Figure 3. Integral non-linearity

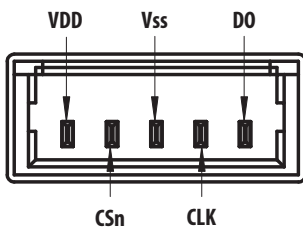
Table 6. Environmental Specifications

| Parameter | Reference Standard | Test Conditions | Level |
|--|--------------------|---|---------|
| Electromagnetic Compatibility (EMC) [1] | | | |
| Electrostatic discharge (ESD) immunity | IEC/EN 61000-4-2 | 8kV | |
| Power frequency magnetic field immunity | IEC/EN 61000-4-8 | 30 A/m (continuous field) 300 A/m (short duration field) | Level 4 |
| Pulse magnetic field immunity | IEC/EN 61000-4-97 | 1000 A/m | Level 5 |
| Damped oscillatory magnetic field immunity | IEC/EN 61000-4-10 | 100 A/m | Level 5 |
| Mechanical Durability | | | |
| Vibration (Operating) | IEC/EN 60068-2-6 | 10-500Hz at 5G | |
| Shock | IEC/EN 60068-2-27 | 6ms at 200G | |

Notes:

1. Suitable for applications in Industrial Environment Class 4.

Electrical Connections



| Pin | Symbol | Description |
|-----|--------|--------------------------------------|
| 1 | VDD | 5V Supply Voltage |
| 2 | CSn | Chip Select – Input (See Figure 2) |
| 3 | VSS | Supply Ground |
| 4 | CLK | Serial Clock - Input (See Figure 2) |
| 5 | DO | Serial Data - Output. (See Figure 2) |

Figure 4. Electrical Connections

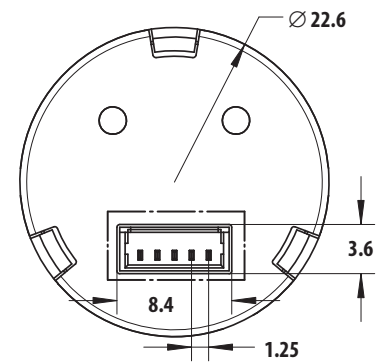
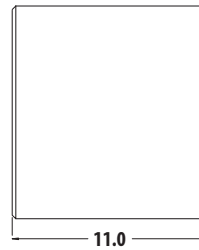
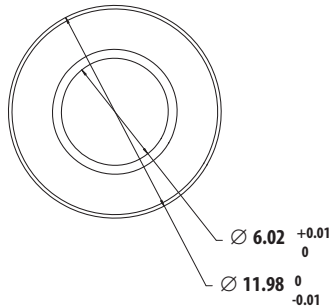
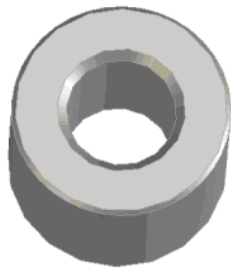


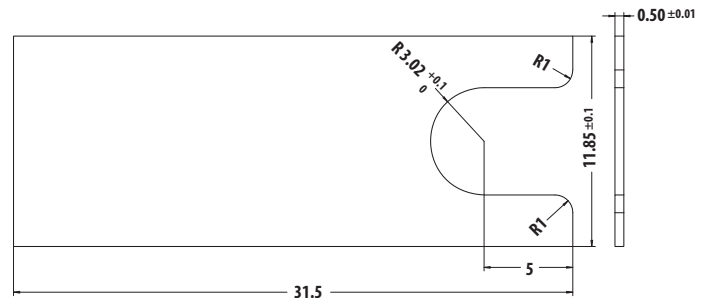
Figure 5. Basic connector dimensions

Alignment Tool Set - Part number HEDS-8934

This optional alignment tool set consists of a gap setting plate and a centering jig. Refer to Application Note 5317 for the assembly guide.



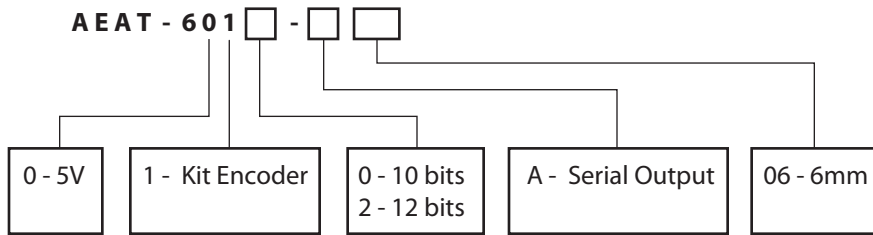
Centering Jig



Gap Setting Plate

Figure 6. Alignment tool set and recommended dimensions

Ordering Information



For product information and a complete list of distributors, please go to our web site: www.avagotech.com

Avago, Avago Technologies, and the A logo are trademarks of Avago Technologies in the United States and other countries. Data subject to change. Copyright © 2005-2011 Avago Technologies. All rights reserved.
AV02-0188EN - August 12, 2011

Avago
TECHNOLOGIES