

阅读申明

- 1.本站收集的数据手册和产品资料都来自互联网，版权归原作者所有。如读者和版权方有任何异议请及时告之，我们将妥善解决。
- 2.本站提供的中文数据手册是英文数据手册的中文翻译，其目的是协助用户阅读，该译文无法自动跟随原稿更新，同时也可能存在翻译上的不当。建议读者以英文原稿为参考以便获得更精准的信息。
- 3.本站提供的产品资料，来自厂商的技术支持或者使用者的心得体会等，其内容可能存在描述上的差异，建议读者做出适当判断。
- 4.如需与我们联系，请发邮件到marketing@iczoom.com，主题请标有“数据手册”字样。

Read Statement

1. The datasheets and other product information on the site are all from network reference or other public materials, and the copyright belongs to the original author and original published source. If readers and copyright owners have any objections, please contact us and we will deal with it in a timely manner.
2. The Chinese datasheets provided on the website is a Chinese translation of the English datasheets. Its purpose is for reader's learning exchange only and do not involve commercial purposes. The translation cannot be automatically updated with the original manuscript, and there may also be improper translations. Readers are advised to use the English manuscript as a reference for more accurate information.
3. All product information provided on the website refer to solutions from manufacturers' technical support or users the contents may have differences in description, and readers are advised to take the original article as the standard.
4. If you have any questions, please contact us at marketing@iczoom.com and mark the subject with "Datasheets" .

Incremental Hollow Shaft Encoder

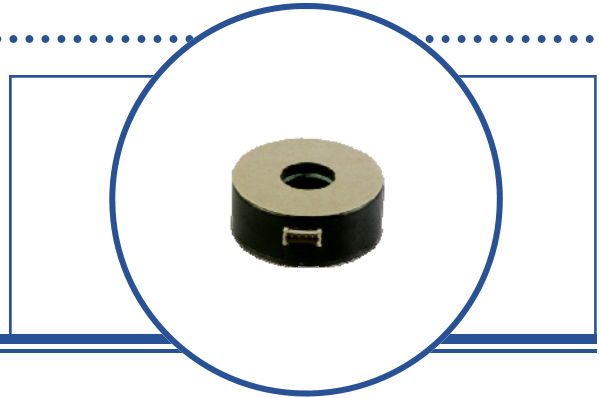
OPE1275H Single Channel (Tachometer)

OPE2275H Dual Channel



Features:

- O.D. = 28mm [1.10"]
- Motor Shaft Diameter 2 mm [0.079"]
- Motor Shaft length 3.8 mm [0.150"] minimum
- Pulses per revolution 256 maximum
- Analog Output
- 100 - 5,000 RPM



Description:

The **OPE1275H** and **OPE2275H** are designed for small shafted motors with a shaft diameter of 2 mm [0.079"] and a minimum length of 3.8 mm [0.150"]. The **OPE1275H** provides a single channel analog output for speed of rotation while the **OPE2275H** provides a dual channel analog output for speed and direction of rotation.

The output of the **OPE1275H** provides a rise and fall pulse providing the designer two slopes for each pulse doubling the count capability. The **OPE2275H** provides quadrature rise and fall pulse patterns providing the design engineer 4 times the pulse per revolution count.

The **OPE1275H** and **OPE2275H** are very easy to assemble on your motor shaft using a #1 Phillips screwdriver.

Power requirements are 5 volts \pm .5 volts.

Electrical connection is achieved with a 4-pin Molex 53048-0410 connector providing V+, Ground and Output pins. The mating connector is a 4-pin Molex 51021-0400 (Terminal pin 50058 or 50079) or equivalent.

Mounting of the hollow shaft version of the **OPE1275** and **OPE2275** is achieved with a stick-on transfer adhesive pre-applied to the back of the housing. Just peel off the protective base and press the encoder to your motor.

Frequency response is from DC to 25 kHz providing a maximum of 256 cycles per revolution (CPR)

This product is designed for general encoding for low-speed applications.

Applications:

- Printer motors
- Machine automation
- Machine safety

Ordering Information

OPE X 275 H - ZZZ

OPTEK Product Encoder

Channels:

- 1 = Single channel
- 2 = Dual Channel

Motor Diameter- 27.5mm

Resolution per revolution:

- 128 holes per revolution
- 256 holes per revolution

Shaft Configuration:

H = Hollow Shaft

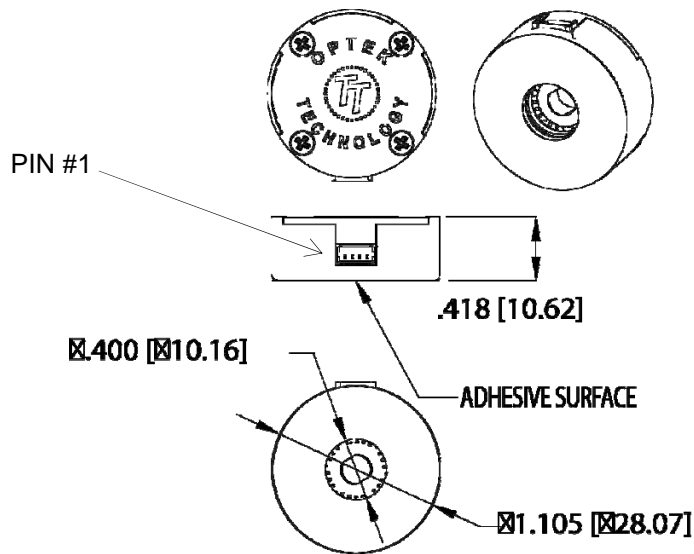


RoHS

OPTEK reserves the right to make changes at any time in order to improve design and to supply the best product possible.

Incremental Hollow Shaft Encoder
 OPE1275H Single Channel (Tachometer)
 OPE2275H Dual Channel

OPE1275H
 OPE2275H



Pin Out			
1	2	3	4
V _{CC}	CH A	CH B	GND

OPTEK reserves the right to make changes at any time in order to improve design and to supply the best product possible.

Incremental Hollow Shaft Encoder

OPE1275H Single Channel (Tachometer)

OPE2275H Dual Channel



Absolute Maximum Ratings ($T_A=25^\circ\text{C}$ unless otherwise noted)

	Maximum	Units
Storage Temperature Range	-40°C to $+85^\circ$	C
Operating Temperature Range	0°C to $+85^\circ$	C
Power Supply Voltage V_{CC}	4.5 to 5.5	V_{DC}
Power Dissipation ⁽²⁾	250	mW
Vibration (5 Hz to 2 kHz)	20	g
Shaft Axial Play	± 0.51 mm [0.02"]	
Off-Axis Mounting Tolerance	0.254 mm [0.01"]	
Acceleration	250,000	rad/sec ²

Mechanical Specifications:

	Dimensions	Units
Moment of Inertia	6.48×10^{-5}	OZ-IN-S ²
Shaft Length	0.3 to 0.7	Inches

Electrical Characteristics ($T_A = 25^\circ\text{C}$ unless otherwise noted — for reference only)

SYMBOL	PARAMETER	MIN	TYP	MAX	UNITS	TEST CONDITIONS
V_{CC}	Supply Voltage	4.5	5.0	5.5	V	
I_{CC}	Supply Current	-	21	27	mA	$V_{CC} = 5.0$ volts
V_{OH}	High Level Output Voltage	$V_{CC}-0.5$	-	-	V	$I_C = 100 \mu\text{A}$
V_{OL}	Low Level Output Voltage	-	-	0.4	V	$I_C = 20$ mA
TR	Rise Time	-	500	-	ns	10% to 90%, $V_{CC} = 5.0$ volts
TF	Fall Time	-	100	-	ns	10% to 90%, $V_{CC} = 5.0$ volts
FR	Frequency Response	-	-	60	kHz	
H.S.	Hole Size	0.10	-	-	inch	
Rotation	Maximum speed of rotation with 1024 holes per rotation	-	-	100	rev/sec	

Encoding Characteristics:

SE	Symmetry Error	0	16	75	°e	
QE	Quadrature Error—OPE2275H only	0	12	60		

Notes:

- All parameters measured using pulse technique, $V_{CC} = 5.0$ volts and $T_A = 25^\circ\text{C}$.

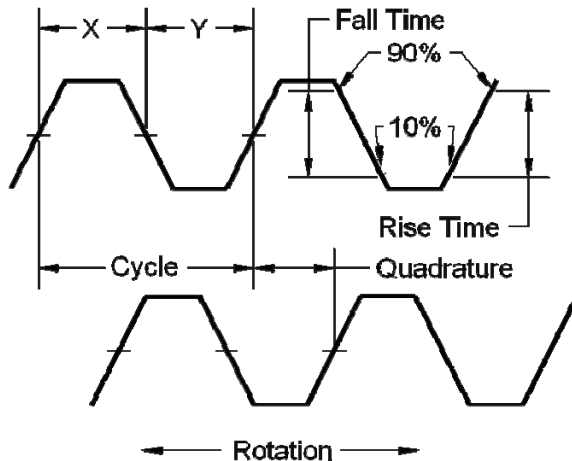
OPTEK reserves the right to make changes at any time in order to improve design and to supply the best product possible.

Incremental Hollow Shaft Encoder

OPE1275H Single Channel (Tachometer)

OPE2275H Dual Channel

Timing Diagram:



Timing Definitions:

PPR = Pulses Per Revolution

Electrical Degree ($^{\circ}e$) = 1/360th of 1 cycle

Cycle = 360 electrical degrees ($^{\circ}e$)

Symmetry = Relationship between X & Y in electrical degrees ($^{\circ}e$).

Position Error = The difference between the actual shaft position and the position indicated by the encoder cycle count.

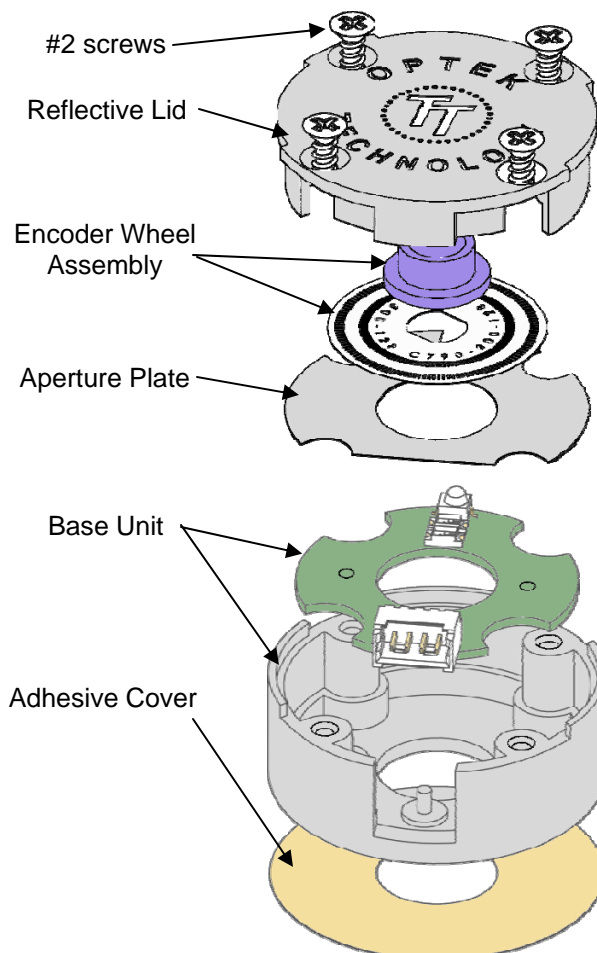
Quadrature: The lead or lag difference between channels "A" and "B" in electrical degrees (normally $90^{\circ}e$)

Cycle Error = The difference between the actual shaft rotational position and the cycle count rotational position.

Rise Time = Time required to switch between 10% and 90% of the highest to lowest signal levels.

Fall Time = Time required to switch between 90% and 10% of the highest to lowest signal levels.

Hollow Shaft Assembly Instructions:



Make sure the kit has all required parts:

- 1 each Base Unit
- 1 each Base Unit Alignment Tool
- 1 each Aperture Plate
- 1 each Encoder Wheel Assembly
- 1 each Wheel Assembly Alignment Tool
- 1 each Reflective Lid
- 4 each #2-56 self tapping screws

1. Peel the protective covering from the adhesive on the back of the Base Unit.
2. To center the Base unit, carefully slide the Base Unit over the flange on the motor and press firmly.
3. Place the Aperture Plate on the Base Unit.
4. Slide the Encoder Wheel Assembly over the motor shaft until it almost touches the Aperture Plate.
5. Carefully place the Reflective Lid on the encoder (rotate as necessary to align) and attach with 4 #2 self tapping screws (provided).
6. Connect the electrical interface to the encoder.

OPTeK reserves the right to make changes at any time in order to improve design and to supply the best product possible.