

## 阅读申明

- 1.本站收集的数据手册和产品资料都来自互联网，版权归原作者所有。如读者和版权方有任何异议请及时告之，我们将妥善解决。
- 2.本站提供的中文数据手册是英文数据手册的中文翻译，其目的是协助用户阅读，该译文无法自动跟随原稿更新，同时也可能存在翻译上的不当。建议读者以英文原稿为参考以便获得更精准的信息。
- 3.本站提供的产品资料，来自厂商的技术支持或者使用者的心得体会等，其内容可能存在描述上的差异，建议读者做出适当判断。
- 4.如需与我们联系，请发邮件到marketing@iczoom.com，主题请标有“数据手册”字样。

## Read Statement

1. The datasheets and other product information on the site are all from network reference or other public materials, and the copyright belongs to the original author and original published source. If readers and copyright owners have any objections, please contact us and we will deal with it in a timely manner.
2. The Chinese datasheets provided on the website is a Chinese translation of the English datasheets. Its purpose is for reader's learning exchange only and do not involve commercial purposes. The translation cannot be automatically updated with the original manuscript, and there may also be improper translations. Readers are advised to use the English manuscript as a reference for more accurate information.
3. All product information provided on the website refer to solutions from manufacturers' technical support or users the contents may have differences in description, and readers are advised to take the original article as the standard.
4. If you have any questions, please contact us at marketing@iczoom.com and mark the subject with "Datasheets" .

## AEDT-9140 Series

High Temperature 115°C

Three Channel Optical Incremental Encoder Modules

100 CPR to 1000 CPR



## Data Sheet



### Description

The AEDT-9140 series are three channel optical incremental encoder modules. When used with a codewheel, these low cost modules detect rotary position. Each module consists of a lensed LED source and a detector IC enclosed in a small plastic package. Due to a highly collimated light source and a unique photodetector array, these modules are extremely tolerant to mounting misalignment.

The AEDT-9140 has two channel quadrature outputs plus a third channel index output. This index output is a 90 electrical degree high true index pulse which is generated once for each full rotation of the codewheel.

The AEDT-9140 optical encoder is designed for use with a codewheel which has an optical radius of 11.00 mm (0.433 inch) for 100 CPR to 1000 CPR and 11.68 mm (0.460 inch) for 1000 CPR.

The quadrature signals and the index pulse are accessed through five 0.46 mm square pins located on 1.27 mm (pitch) centers.

### Features

- Two channel quadrature output with index pulse
- Resolution from 100 CPR to 1000 CPR (Cycles Per Revolution)
- Low cost
- Easy to mount
- No signal adjustment required
- Small size
- -40°C to 115°C operating temperature
- TTL compatible
- Single 5V supply

### Applications

Typical applications include:

- Printers
- Plotters
- Tape drives
- Machine tools
- Industrial and factory automation equipment.

Note: Avago Technologies encoders are not recommended for use in safety critical applications. Eg. ABS braking systems, power steering, life support systems and critical care medical.

## Theory of Operation

The AEDT-9140 is an emitter/detector module. Coupled with a codewheel, these modules translates rotary motion of a shaft into a three-channel digital output.

As seen in Figure 1, the modules contain a single Light Emitting Diode (LED) as its light source. The light is collimated into a parallel beam by means of a single polycarbonate lens located directly over the LED. Opposite the emitter is the integrated detector circuit. This IC consists of multiple sets of photodetectors and the signal processing circuitry necessary to produce the digital waveforms.

The codewheel rotates between the emitter and detector, causing the light beam to be interrupted by the pattern of spaces and bars on the codewheel.

The photodiodes which detect these interruptions are arranged in a pattern that corresponds to the radius and design of the code-wheel. These detectors are also spaced such that a light period on one pair of detectors corresponds to a dark period on the adjacent pair of detectors.

The photodiode outputs are then fed through the signal processing circuitry resulting in A, A-bar, B, B-bar, I and I-bar. Comparators receive these signals and produce the final output for channels A and B. Due to this integrated phasing technique, the digital output of channel A is in quadrature with that of channel B (90 degrees out of phase).

## Definitions

Note: Refer to Figure 2

**Cycles (N):** The number of electrical cycles per revolution (CPR). Note: CPR refers to the raw signal from encoder, that is the cycles before 4x decode.

**One Cycle (C):** 360 electrical degrees ( $^{\circ}$ e).

**One Shaft Rotation:** 360 mechanical degrees, N cycles.

**Cycle Error ( $\Delta$ C):** An indication of cycle uniformity. The difference between an observed shaft angle which gives rise to one electrical cycle, and the nominal angular increment of  $1/N$  of a revolution.

**Pulse Width (S):** The number of electrical degrees that an output is high during 1 cycle. This value is nominally  $180^{\circ}$ e or  $1/2$  cycle.

**Pulse Width Error ( $\Delta$ P):** The deviation, in electrical degrees, of the pulse width from its ideal value of  $180^{\circ}$ e.

**State Width (S):** The number of electrical degrees between a transition in the output of channel A and the neighboring transition in the output of channel B. There are 4 states per cycle, each nominally  $90^{\circ}$ e.

**State Width Error ( $\Delta$ S):** The deviation, in electrical degrees, of each state width from its ideal value of  $90^{\circ}$ e.

**Phase Error ( $\Delta\phi$ ):** The deviation of the phase from its ideal value of  $90^{\circ}$ e.

**Direction of Rotation:** When the codewheel rotates in the clockwise direction viewing from top of the module (direction from V to G), channel A will lead channel B. If the codewheel rotates in the opposite direction, channel B will lead channel A.

**Optical Radius (Rop):** The distance from the codewheel's center of rotation to the optical center (O.C) of the encoder module.

**Index Pulse Width (Po):** The number of electrical degrees that an index is high during one full shaft rotation. This value is nominally  $90^{\circ}$ e or  $1/4$  cycle.

### Block Diagram

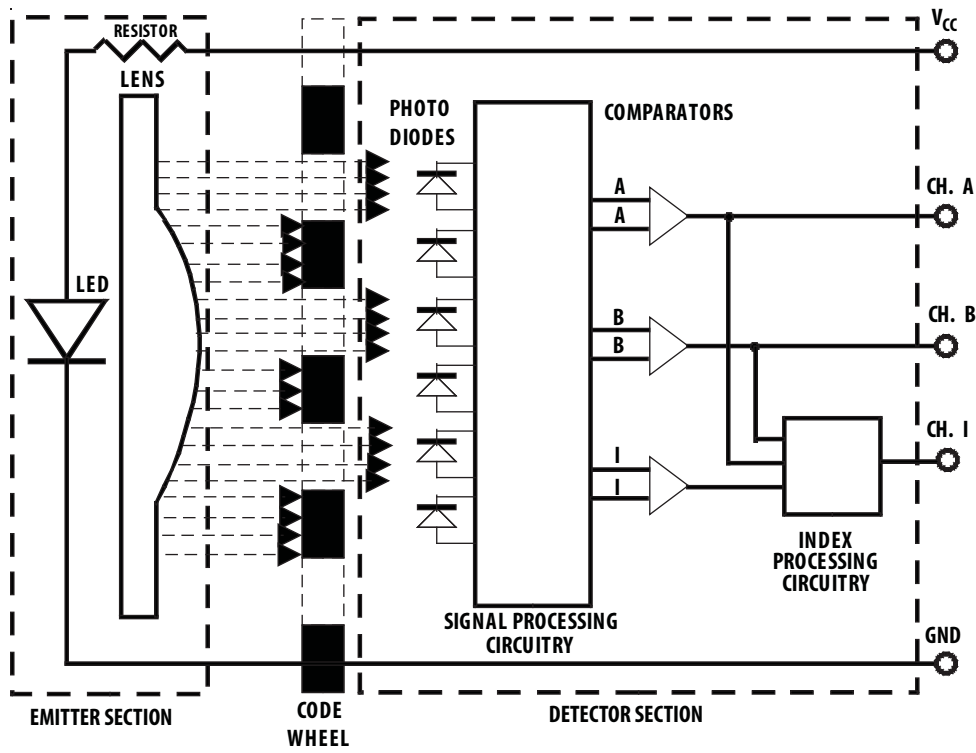


Figure 1.

### Output Waveforms

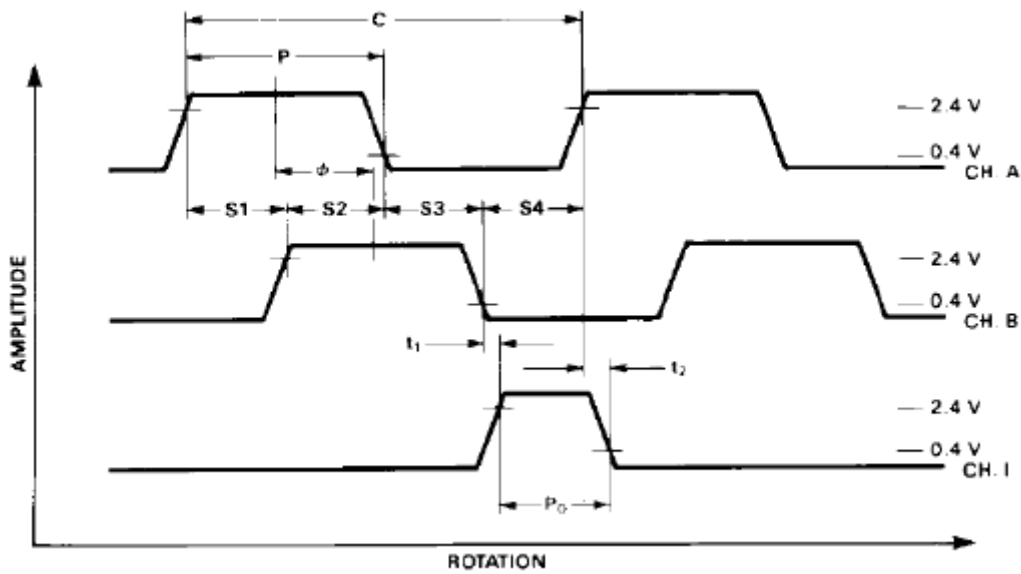


Figure 2.

## AEDT-9140 Technical Specifications

### Absolute Maximum Ratings

Parameter	Symbol	Min.	Max.	Units	Notes
Storage Temperature	T <sub>S</sub>	-40	115	°C	
Operating Temperature	T <sub>A</sub>	-40	115	°C	
Supply Voltage	V <sub>CC</sub>	-0.5	7	Volts	
Output Voltage	V <sub>O</sub>	-0.5	V <sub>CC</sub>	Volts	
Output Current per Channel, I <sub>OUT</sub>	I <sub>OUT</sub>	-1.0	18	mA	

### Recommended Operating Conditions

Parameter	Symbol	Min.	Typ.	Max.	Units	Notes
Temperature	T <sub>A</sub>	-40		115	°C	
Supply Voltage	V <sub>CC</sub>	4.5	5.0	5.5	Volts	Ripple < 100mVp-p
Load Capacitance	C <sub>L</sub>			100	pF	2.7 kΩ pull-up
Frequency	f			100	kHz	Velocity (rpm) x N/60
Shaft Perpendicularity Plus Axial Play				± 0.20 (± 0.008)	mm (in.)	Refer to Mounting Consideration
Shaft Eccentricity Plus Radial Play				0.04 (0.0015)	mm (in.)	Refer to Mounting Consideration

### Electrical Characteristics

Electrical characteristics over recommend operating range, typical at 25°C.

Parameter	Symbol	Min.	Typ	Max.	Units	Notes
Supply Current	I <sub>CC</sub>	30	57	85	mA	
High Level Output Voltage	V <sub>OH</sub>	2.4			V	Typ. I <sub>OH</sub> = -0.5 mA
Low Level Output Voltage	V <sub>OL</sub>			0.4	V	Typ. I <sub>OL</sub> = 10 mA
Rise Time	t <sub>r</sub>		180		ns	C <sub>L</sub> = 25 pF
Fall Time	t <sub>f</sub>		50		ns	R <sub>L</sub> = 2.7 kΩ pull-up

Note: Typical values specified at V<sub>CC</sub> = 5.0 V and 25 °C

## Encoding Characteristics

### AEDT-9140 (except – B0B)

Encoding Characteristics over the recommended operating conditions and recommended mounting tolerances unless otherwise specified.

Parameter	Symbol	Min.	Typ.	Max.	Units	
Cycle Error	$\Delta_C$		3	15	°e	
Pulse Width Error	$\Delta_P$		7	30	°e	
Logic State Width Error	$\Delta_S$		5	30	°e	
Phase Error	$\Delta_\phi$		2	15	°e	
Position Error	$\Delta_\theta$		10	40	min. of arc	
Index Pulse Width	$P_o$	60	90	120	°e	
CH I rise after CH B or CH A fall	$t_1$	-40°C to + 115°C	10	100	1000	ns
CH I rise after CH A or CH B rise	$t_2$	-40°C to + 115°C	10	300	1000	ns

## Encoding Characteristics

### AEDT-9140-B0B & AEDT-9140-B00

Encoding characteristics over the recommended operating conditions and recommended mounting tolerances unless otherwise specified.

Parameter	Symbol	Min.	Typ.	Max.	Units	
Cycle Error - B0B option	$\Delta_C$		3	15	°e	
- B00 option			6	20		
Pulse Width Error	$\Delta_P$		7	50	°e	
Logic State Width Error	$\Delta_S$		5	50	°e	
Phase Error	$\Delta_\phi$		2	15	°e	
Position Error	$\Delta_\theta$		10	40	min. of arc	
Index Pulse Width	$P_o$	40	90	120	°e	
CH I rise after CH B or CH A fall	$t_1$	-40°C to + 115°C	10	450	1500	ns
CH I rise after CH A or CH B rise	$t_2$	-40°C to + 115°C	10	250	1500	ns

## Electrical Interface

To ensure reliable encoding performance, the AEDT-9140 three channel encoder modules require 2.7 kΩ (± 10%) pull-up resistors on output pins 2, 3, and 5 (Channels A, I and B) as shown in Figure 3. These pull-up resistors should

be located as close to the encoder module as possible (within 4 feet). Each of the three encoder module outputs can drive a single TTL load in this configuration.

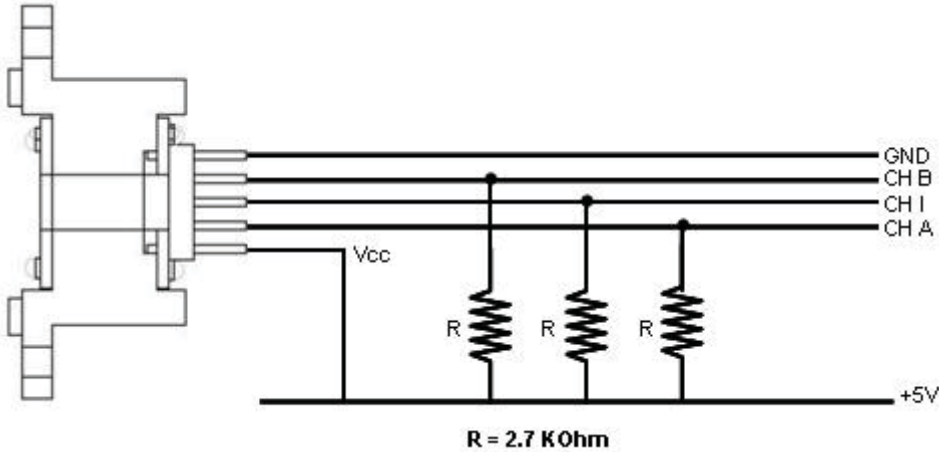


Figure 3.

## Customized Solutions

Customization of codewheel CPR is possible. It has to be based on the encoder LPI table given below.

Part Number	LPI
AEDT-9140-C00	36.7
AEDT-9140-E00	73.5
AEDT-9140-F00	94
AEDT-9140-G00	132.3
AEDT-9140-H00	147
AEDT-9140-A00	183
AEDT-9140-I00	188
AEDT-9140-B0B	346
AEDT-9140-B00	367.5

## CPR calculation formula:

$$\text{CPR} = \frac{\text{LPI} \times 2 \times \pi \times \text{ROP}}{25.4}$$

Where:

CPR = Counts Per Revolution

LPI = Encoder LPI provided in the table

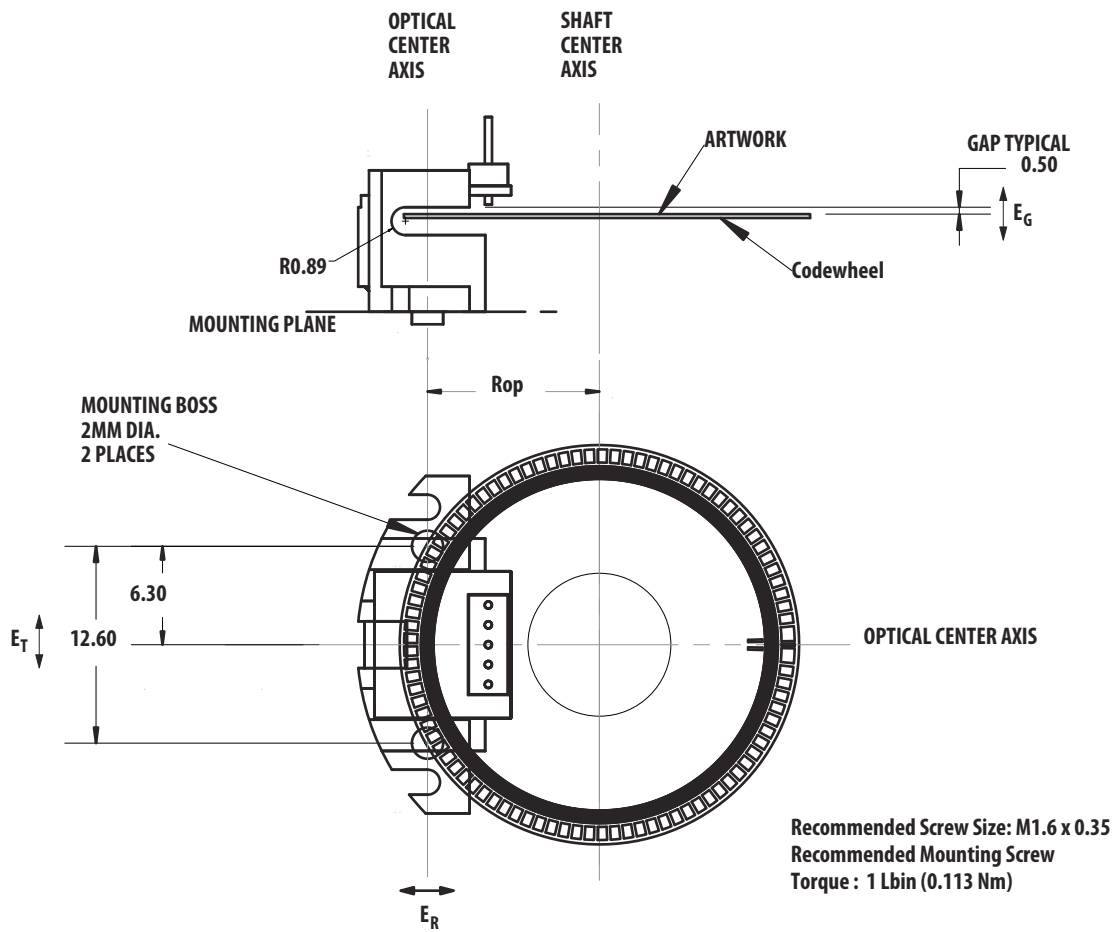
ROP = Encoder Optical Radius in mm

\* Recommended maximum codewheel diameter should not exceed 30mm.

Note: The customization of the codewheel method is valid from theoretical standpoint. However Avago strongly recommends a full characterization to be done to determine the actual performance of the encoder with customized codewheel.

Characterization means validating the encoding performance (consist of cycle error, pulse width error, logic state width error, phase error, position error & index pulse width, index channel rise and fall time over the recommended operating conditions and recommended mounting tolerances.

## Mounting Considerations



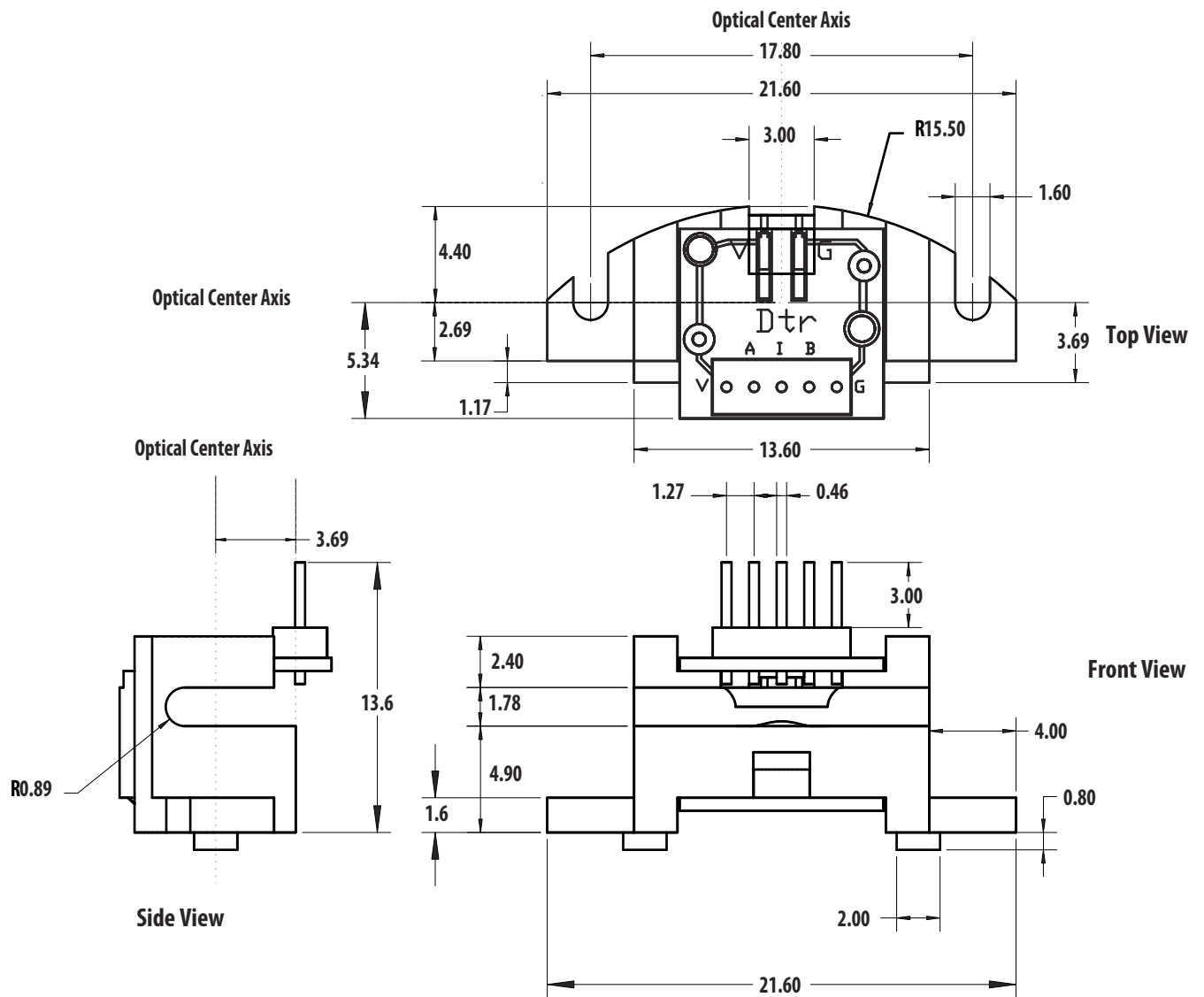
Note:

These dimensions include shaft endplay and codewheel warp. All dimension for mounting the module and codewheel should be measured with respect to two mounting boss, as shown above.

Error	$R_{op} = 11\text{mm}$	Unit	Notes
$E_G$ Gap	$\pm 0.20$	mm	Recommend to mount the codewheel closer to the detector side (upper side) for optimum encoder performance.
$E_R$ Radial	$\pm 0.13$	mm	
$E_T$ Tangential	$\pm 0.13$	mm	

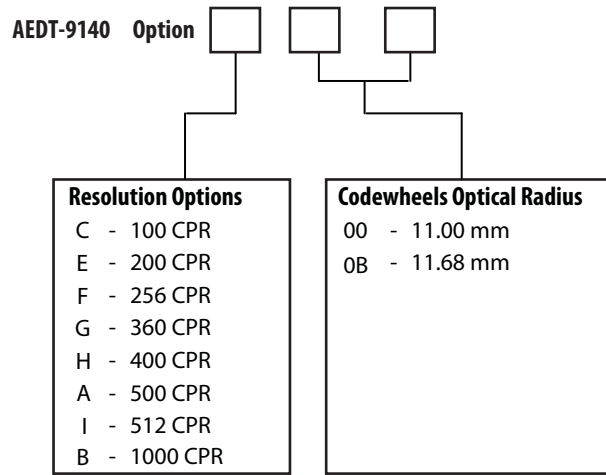


# Package Dimension



TYPICAL DIMENSIONS IN MILLIMETERS

## Ordering Information



For product information and a complete list of distributors, please go to our web site: [www.avagotech.com](http://www.avagotech.com)

Avago, Avago Technologies, and the A logo are trademarks of Avago Technologies in the United States and other countries.  
Data subject to change. Copyright © 2005-2009 Avago Technologies. All rights reserved.  
AV02-1101EN - November 10, 2009

**AVAGO**  
TECHNOLOGIES