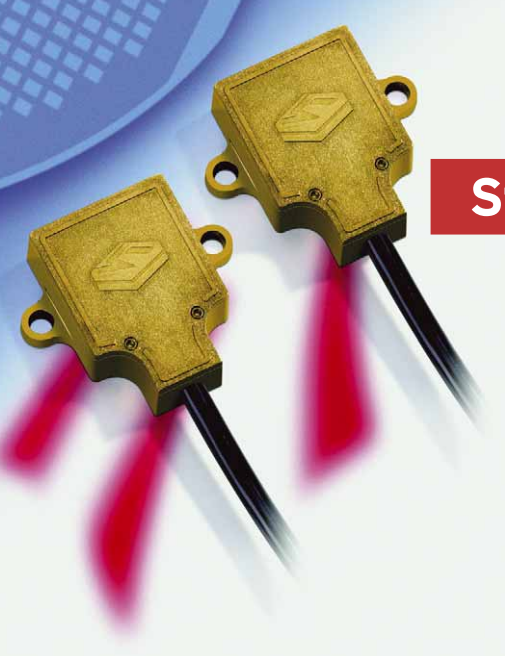


## 阅读申明

- 1.本站收集的数据手册和产品资料都来自互联网，版权归原作者所有。如读者和版权方有任何异议请及时告之，我们将妥善解决。
- 2.本站提供的中文数据手册是英文数据手册的中文翻译，其目的是协助用户阅读，该译文无法自动跟随原稿更新，同时也可能存在翻译上的不当。建议读者以英文原稿为参考以便获得更精准的信息。
- 3.本站提供的产品资料，来自厂商的技术支持或者使用者的心得体会等，其内容可能存在描述上的差异，建议读者做出适当判断。
- 4.如需与我们联系，请发邮件到marketing@iczoom.com，主题请标有“数据手册”字样。

## Read Statement

1. The datasheets and other product information on the site are all from network reference or other public materials, and the copyright belongs to the original author and original published source. If readers and copyright owners have any objections, please contact us and we will deal with it in a timely manner.
2. The Chinese datasheets provided on the website is a Chinese translation of the English datasheets. Its purpose is for reader's learning exchange only and do not involve commercial purposes. The translation cannot be automatically updated with the original manuscript, and there may also be improper translations. Readers are advised to use the English manuscript as a reference for more accurate information.
3. All product information provided on the website refer to solutions from manufacturers' technical support or users the contents may have differences in description, and readers are advised to take the original article as the standard.
4. If you have any questions, please contact us at marketing@iczoom.com and mark the subject with "Datasheets" .



# SCA111T and SCA121T Series

## Stand Alone Inclinometer

Single or Dual Axis Analog Output

### FEATURES

- Silicon 3D MEMS sensor
- 0,1° accuracy
- Resolution < 0,001°
- Operating temperature range -40...+85 °C
- Long term stability < 0,02°
- Shock resistance >20 000 g
- Sensing element -3 dB @ 18 Hz
- Main dimensions: 30x30x13 mm size, single or dual axis
- Voltage output
- RoHS compatible

### BENEFITS

- Excellent long term stability
- Sensing element controlled frequency response
- Outstanding shock durability
- Harsh environment robustness

### APPLICATIONS

- Platform tilt measurement
- Equipment and instrument condition monitoring
- Inclination based position measurement
- Rotational orientation measurement (dual axis)

For customised product please contact VTI Technologies

### ELECTRICAL CHARACTERISTICS

Parameter	Condition	Min.	Typ	Max.	Units	
Supply voltage	Unregulated or regulated ratiometric	7	16	35	V	Applies to: -D02, -D03, -D07 Applies to: -D04, -D05
		4.75	5	5.25	V	
Current consumption			5		mA	
Output load	Resistive	10			kΩ	
	Capacitive			20	nF	

### PERFORMANCE CHARACTERISTICS

Parameter	Condition	SCA111T-D02	SCA121T-D03	SCA121T-D07	SCA111T-D04	SCA121T-D05	Units
Measuring range <sup>(1)</sup>		±30	±90	±30	±90	±90	°
Supply voltage		7 ...35	7 ...35	7 ...35	5 ±0.25	5 ±0.25	V
Measuring axis	(see "Directions")	X	X-Y	X-Y	X	X-Y	
Offset <sup>(2,5)</sup>	Output at 0°	2.5	2.5	2.5	2.5	2.5	V
Offset zero point error <sup>(5)</sup>	Max. deviation	1	1	1	1	1	°
Offset temperature error	0...70 °C	±0.2	±0.2	±0.2	±0.2	±0.2	°
	-25...85 °C	±0.6	±0.6	±0.6	±0.6	±0.6	°
Sensitivity	Sine of inclination	70	35	70	35	35	mV/°(@offset pos.)
Sensitivity temperature error <sup>(5)</sup>	0...70 °C	-0.8 ...0.3	-0.8 ...0.3	-0.8 ...0.3	-0.8 ...0.3	-0.8 ...0.3	%
	-25...85 °C	-1.5 ...0.5	-1.5 ...0.5	-1.5 ...0.5	-1.5 ...0.5	-1.5 ...0.5	%
Nonlinearity	Sinus output	0.1	N/A	0.1	N/A	N/A	°
Frequency response -3 dB <sup>(3)</sup>		18	18	18	18	18	Hz
Cross-axis sensitivity <sup>(4)</sup>		3	3	3	3	3	%

**Typical values unless otherwise specified.**

Note 1 The measuring range is limited by the sensitivity and offset.

Note 2 Offset specified as Output @ 0°.

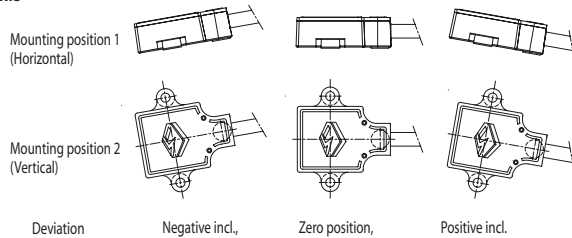
Note 3 The frequency response is determined by the sensing element's internal gas damping. The output has true DC (0 Hz) response.

Note 4 The cross-axis sensitivity determines how much inclination, perpendicular to the measuring axis, couples to the output.

Note 5 For optimum zero point accuracy, mounting angle of the part can be adjusted.

### MEASURING DIRECTIONS

#### X-axis



#### Y-axis

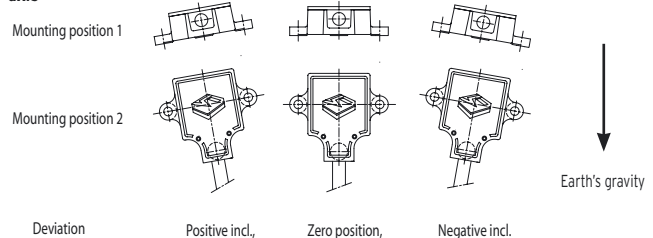


Figure 1. Positions

#### Notes:

- It is important that the part is parallel to the mounting plane, and that the output equals the zero value when sensor is in zero position.
- Zero position: Please note the picture above which provides information on how the output of the accelerometer behaves in different circumstances when assembled. Please also note that you can rotate the part around the measuring plane for optimum mounting location.

## ELECTRICAL CONNECTION

### SCA121T series

Wire color	Name	Function
Blue	GND	Ground
Red	V <sub>cc</sub>	Power supply
Yellow	Out X	X-axis output
Green	Out Y	Y-axis output
White		Not connected

### SCA111T series

Wire color	Name	Function
Blue	GND	Ground
Red	V <sub>cc</sub>	Power supply
Yellow		Not connected
Green		Not connected
White	Output	X-axis output

## MECHANICAL SPECIFICATION

Cable length: -D02, -D03, -D07 30 cm.  
 -D04, -D05 110 cm  
 Total weight: Approx. 60 grams  
 Protection class: IP66  
 Housing: Zinc casting with passivation

## MOUNTING

The sensor module is to be mounted on a flat and smooth surface with 2 screws, dimension M4. Mounting torque 5 ±1 Nm.

## SENSOR DIMENSIONS

Dimensions in mm.

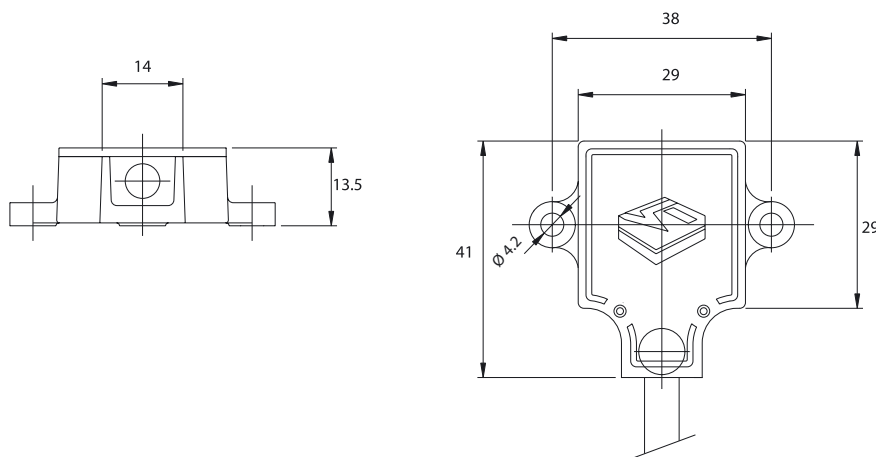


Figure 2.

## ORDERING INFORMATION

SCA1X1T-DOY

