

阅读申明

- 1.本站收集的数据手册和产品资料都来自互联网，版权归原作者所有。如读者和版权方有任何异议请及时告之，我们将妥善解决。
- 2.本站提供的中文数据手册是英文数据手册的中文翻译，其目的是协助用户阅读，该译文无法自动跟随原稿更新，同时也可能存在翻译上的不当。建议读者以英文原稿为参考以便获得更精准的信息。
- 3.本站提供的产品资料，来自厂商的技术支持或者使用者的心得体会等，其内容可能存在描述上的差异，建议读者做出适当判断。
- 4.如需与我们联系，请发邮件到marketing@iczoom.com，主题请标有“数据手册”字样。

Read Statement

1. The datasheets and other product information on the site are all from network reference or other public materials, and the copyright belongs to the original author and original published source. If readers and copyright owners have any objections, please contact us and we will deal with it in a timely manner.
2. The Chinese datasheets provided on the website is a Chinese translation of the English datasheets. Its purpose is for reader's learning exchange only and do not involve commercial purposes. The translation cannot be automatically updated with the original manuscript, and there may also be improper translations. Readers are advised to use the English manuscript as a reference for more accurate information.
3. All product information provided on the website refer to solutions from manufacturers' technical support or users the contents may have differences in description, and readers are advised to take the original article as the standard.
4. If you have any questions, please contact us at marketing@iczoom.com and mark the subject with "Datasheets" .

REFERENCE

Product name : OPTICAL DATA COMMUNICATION TRANSCEIVER

Model No. : GP2W0116YP0F

1. These specification sheets include materials protected under copyright of Sharp Corporation ("Sharp"). Please do not reproduce or cause anyone to reproduce them without Sharp's consent.
2. When using this product, please observe the absolute maximum ratings and the instructions for use outlined in these specification sheets, as well as the precautions mentioned below. Sharp assumes no responsibility for any damage resulting from use of the product which does not comply with the absolute maximum ratings and the instructions included in these specification sheets, and the precautions mentioned below.

(Precautions)

- (1) This product is designed for use in the following application areas ;

(· OA equipment Audio visual equipment · Home appliances
· Telecommunication equipment (Terminal) · Measuring equipment
· Tooling machines · Computers)

If the use of the product in the above application areas is for equipment listed in paragraphs (2) or (3), please be sure to observe the precautions given in those respective paragraphs.

- (2) Appropriate measures, such as fail-safe design and redundant design considering the safety design of the overall system and equipment, should be taken to ensure reliability and safety when this product is used for equipment which demands high reliability and safety in function and precision, such as ;

(· Transportation control and safety equipment (aircraft, train, automobile etc.)
· Traffic signals · Gas leakage sensor breakers · Rescue and security equipment
· Other safety equipment)

- (3) Please do not use this product for equipment which require extremely high reliability and safety in function and precision, such as ;

(· Space equipment · Telecommunication equipment (for trunk lines)
· Nuclear power control equipment · Medical equipment)

- (4) Please contact and consult with a Sharp sales representative if there are any questions regarding interpretation of the above three paragraphs.

3. Please contact and consult with a Sharp sales representative for any questions about this product.

1. Application

This specification applies to the outline and characteristics of IrDA1.2 type (Data rate 2.4kbps to 115.2kbps, Low Power Option compliant) Optical Data communication transceiver, Model No. GP2W0116YP0F.

2. Outline Refer to the attached drawing No. CY11906i02, page 6.

3. Ratings and characteristics Refer to the attached sheet, page 7 to 9.

4. Reliability Refer to the attached sheet, page 10.

5. Outgoing inspection Refer to the attached sheet, page 11.

6. Supplements

- 1) This optical data communication transceiver is satisfied with each characteristics of item 3.3, in the optical system shown in ※3, ※5.
- 2) This product is built-in photodiode.
- 3) This device confirms eye safety IEC60825-1 class 1.
- 4) This product shall not contain the following materials.
Also, the following materials shall not be used in the production process for this product.

Materials for ODS : CFCs, Halon, Carbon tetrachloride
1.1.1- Trichloroethane (Methylchloroform)

5) Brominated flame retardants

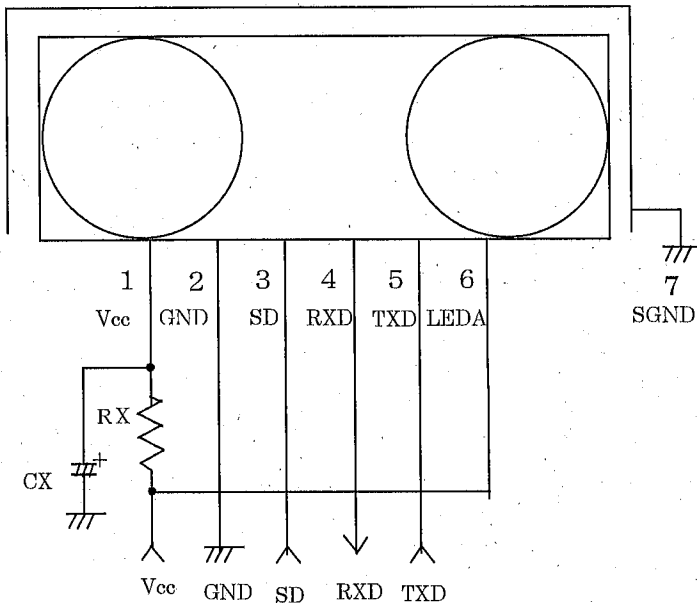
Specific brominated flame retardants such as the PBBOs and PBBs are not used in this device at all.

- 6) This product and packaging material shall not contain lead material.
- 7) Product mass : Approx. 0.07g
- 8) Package specifications : Refer to the attached sheet, page 13 to 17.

7. Notes

- 1) If the surface of detector is smeared with dust or dirt, it may cause faulty operation. Caution shall be taken to avoid this.
And do not touch the detector surface.
- 2) Cleaning conditions :
Solvent cleaning : Solvent temperature 45°C or less, Immersion for 3 min or less
Ultrasonic cleaning : The effect to device by ultrasonic cleaning differs by cleaning bath size, ultrasonic power output, cleaning time, PCB size or device mounting condition etc. Please test it in actual using condition and confirm that doesn't occur any defect before starting the ultrasonic cleaning.
The cleaning shall be carried out with solvent below.
Solvent : Ethyl alcohol, Methyl alcohol, Isopropyl alcohol
- 3) In order to prevent electrostatic discharge of integrated circuit, human body and soldering iron, etc. shall be grounded.
- 4) In case that things touch to the device after mounting, such external force is applied to the device, there is possibility to be caused the mounting defect such as terminal coming off. Please be careful for handling.
- 5) Precautions for Soldering Refer to the attached, page 12.

- 7) When the system (program) is designed, the Turn Around Time shall be designed by considering 500 μ s or more that is specified by IrDA. Then, this Turn Around Time means the time when this device does not temporarily defect the signal light, since the transmitted light from the transceiver reaches the detector side of the same transceiver.
- 8) As it is necessary 200 μ s or more (at Ta=25°C, no input signal) to return from shut-down mode to ready-operation mode, please consider this point at the system (program) designing. Also, please confirm thoroughly the operation in accrual application.
- 9) When there is much external disturbing light or the light source is located near this transceiver and the detector face receives much external disturbing light, there is a case that the pulse other than signal output is generated as noise on output terminal of this transceiver. Please consider the lay-out and structure to reduce disturbing light on the detector face.
- 10) In case that this sensor is adopted in IR communication system, please use it according to the signal method which is specified by 『Serial Infrared Physical Layer Link Specification Version 1.3』 published by the Infrared Data Association. Faulty operation may happen, if different signal method than specified one is used.
- 11) RXD pin out remains at High level output (pull up output) in shutdown mode.
- 12) In circuit designing, make allowance for the degradation of the light emitting diode output that results from long continuous operation. (50% degradation/ 5 years)
- 13) Recommended external circuit



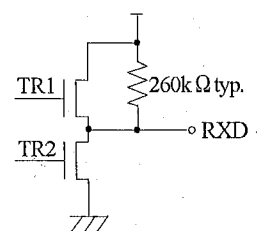
Components	Recommended values
CX	1 μ F/ 6.3V
RX	1 to 15 Ω

(Note) Please choose the most suitable CX according to the noise level and noise frequency of power supply. Depend on noise level and noise frequency of power supply, CX does not work well. There are cases that some pulse noises from RXD other than signal will occur in certain communication area. Please check by finish product that there are no problem at all communication area and data rate. If there are any problem, please check by inserting RX (1 to 15 Ω) in the circuit drawing.

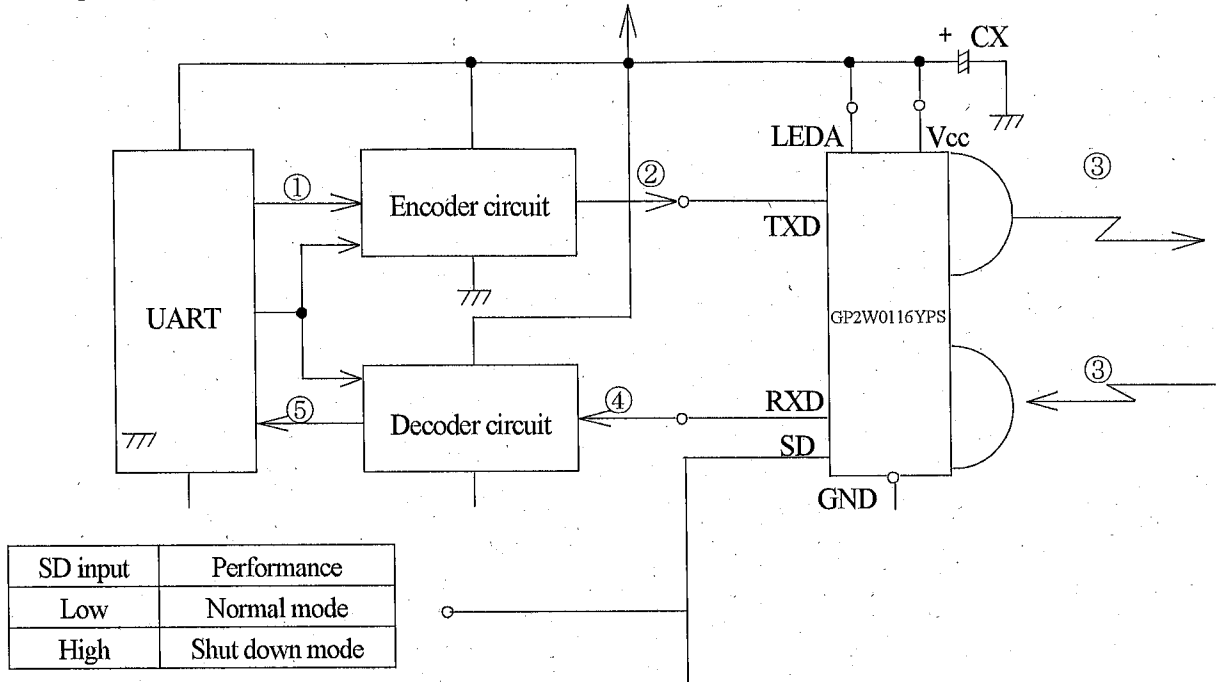
* I/O Logic table

SD	TXD	LED	Receiver	TR1	TR2	RXD
Low	High	on	Don't Care	—	—	Not Valid
	Low	off	IrDA Signal	off	on	Low
			No Signal	on	off	High
High	Don't Care	off	Don't Care	off	off	pull-up

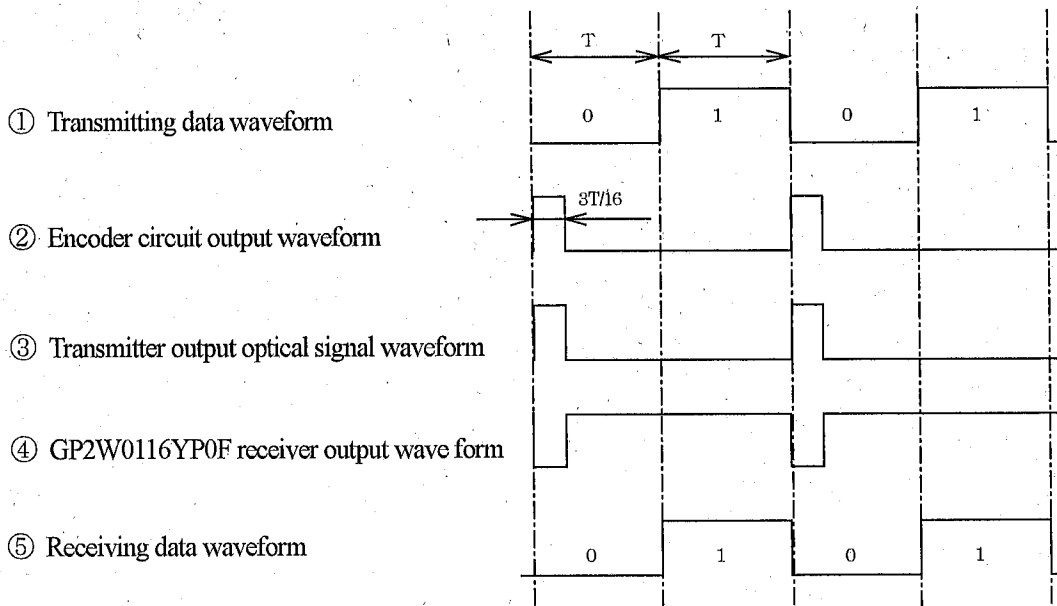
* RXD Equipment circuit



14) Example of system



15) Example of signal waveform

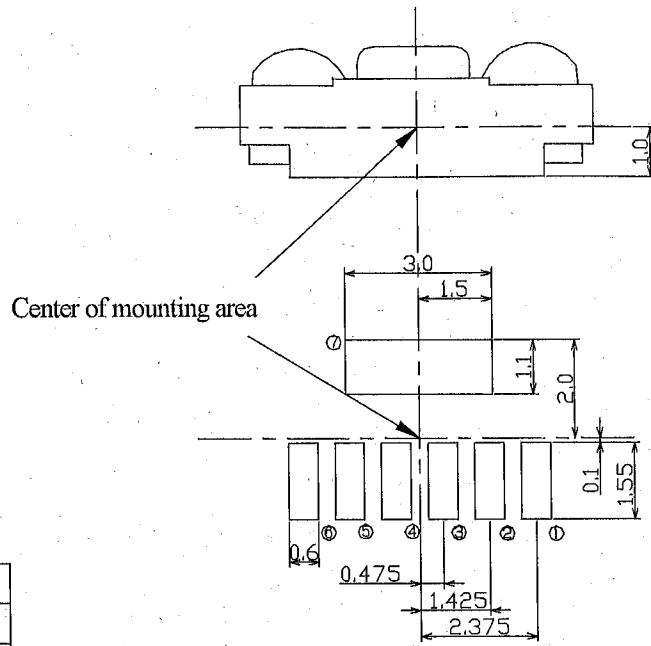


$$T = \frac{1}{\text{Data rate}}$$

Data rate : 2.4kbps, 9.6kbps
 19.2kbps, 38.4kbps
 57.6kbps, 115.2kbps

16) Foot pattern of PCB

- (1) Dimension are shown for reference.
- (2) Unit: mm

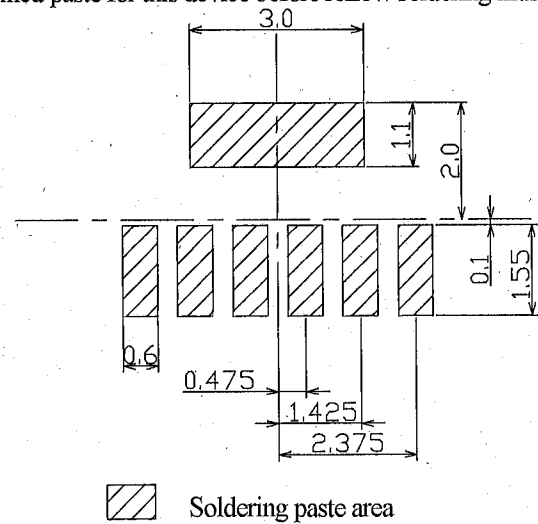


Pin	Pin name	Symbol
①	V _{CC}	V _{CC}
②	Ground	GND
③	Shutdown	SD
④	Receiver Data Output	RXD
⑤	Transmitter Data Input	TXD
⑥	LED Anode	LEDA
⑦	Shield Ground	SGND

* Connect foot pattern of shield case to GND pattern.

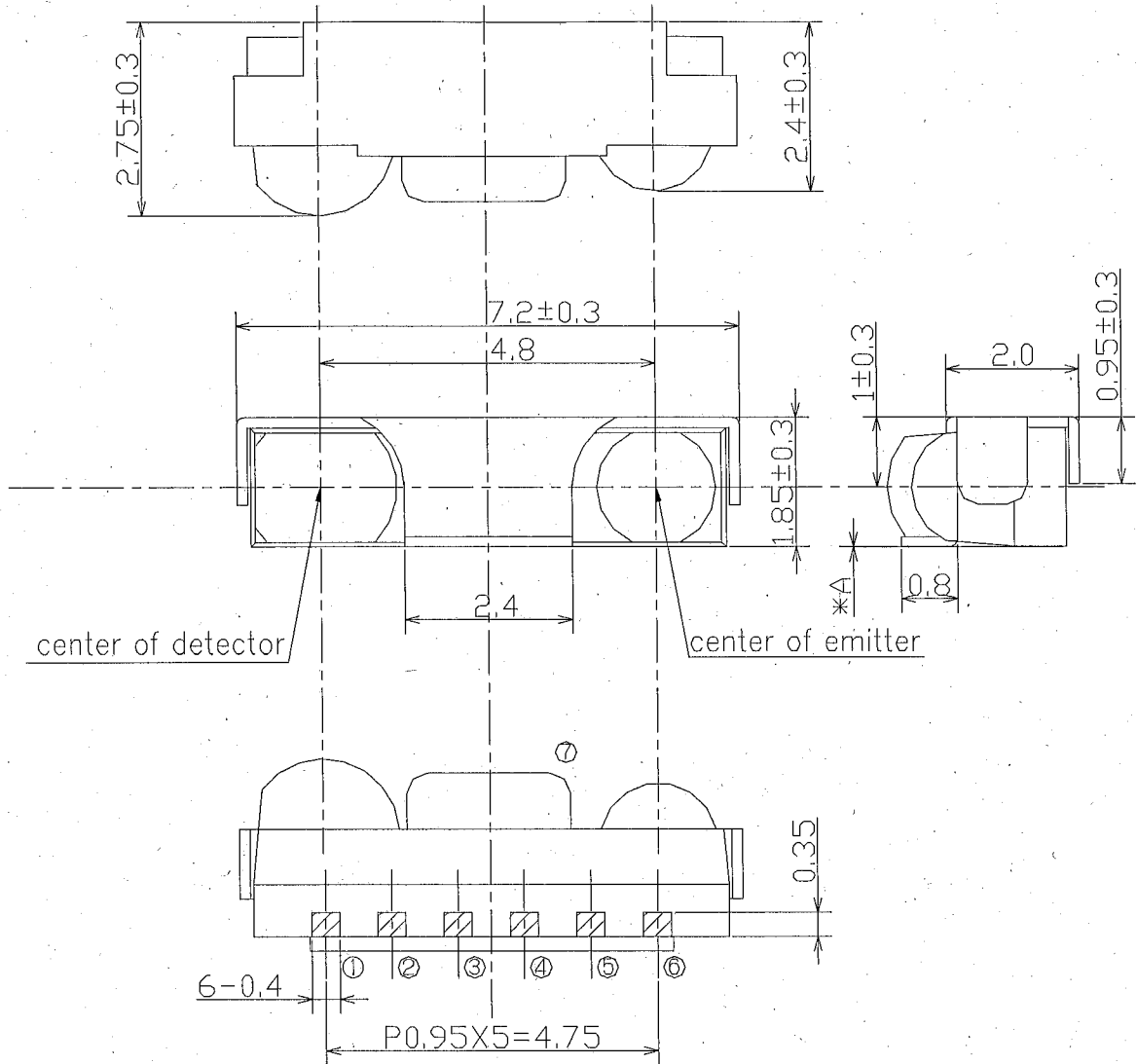
17) Recommendable size of solder creamed paste (Reference)

Please open the solder mask as below so that the size of solder creamed paste for this device before reflow soldering must be as large as one of the foot pattern land indicated at 16).

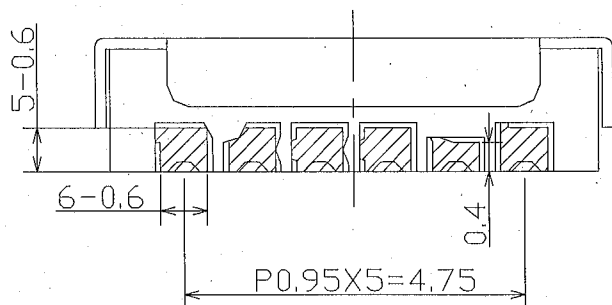


Soldering paste area

※ Dimension are shown for reference.
 Unit: mm



*A : Distance between PCB of the transceiver and bottom side of the shield case shall be less than 0.1mm for both up and downward direction.



Pin	Pin name	Symbol
①	Vcc	Vcc
②	Ground	GND
③	Shutdown	SD
④	Receiver Data Output	RXD
⑤	Transmitter Data Input	TXD
⑥	LED Anode	LEDA
⑦	Shield Ground	SGND

- 1) area : Au plating
- 2) Unspecified tolerance shall be ± 0.2 .
- 3) Adhesion of resin to the terminal area shall be allowed Max. 0.2mm.

Name	GP2W0116YP0F Outline Dimensions
Scale	Unit
10/1	1=1/1mm
Drawing No.	CY11906i02

3. Ratings and characteristics

3.1 Absolute maximum ratings

Parameter	Symbol	Ratings	Unit	Remark
Supply voltage	V _{CC}	0 to 6.0	V	
LED Supply voltage	V _{LEDA}	0 to 7.0	V	
Peak forward current	I _{FM}	60	mA	Pulse width : 78.1 μs, Duty ratio : 3/16
Operating temperature	Topr	-40 to +85	°C	
Storage temperature	Tstg	-40 to +85	°C	
Soldering temperature	Tsol	260	°C	Soldering reflow time : 10s

3.2 Recommended operating conditions

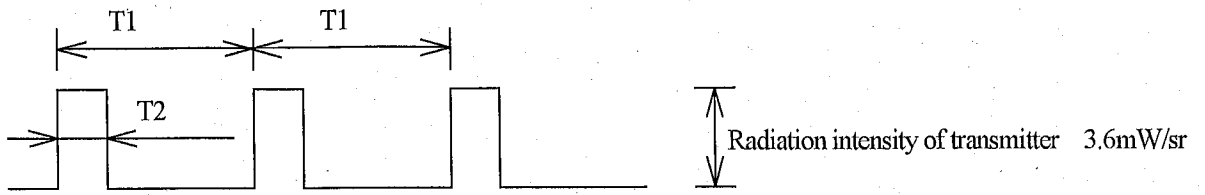
Parameter	Symbol	Operating condition	Unit	Remark
Supply voltage	V _{CC}	2.0 to 3.6	V	
LED Supply voltage	V _{LEDA}	2.0 to 6.0	V	
Operating temperature	Topr	-25 to +85	°C	
Data rate	BR	2.4 to 115.2	kbps	
SD terminal input voltage Logic High	V _{IHS} D	V _{CC} × 0.67 to V _{CC}	V	Shut down mode
SD terminal input voltage Logic Low	V _{ILSD}	0.0 to V _{CC} × 0.1	V	Normal mode
TXD high level input voltage	V _{IHTXD}	V _{CC} × 0.8 to V _{CC}	V	LED ON ※6
TXD low level input voltage	V _{ILTXD}	0.0 to V _{CC} × 0.2	V	LED OFF ※6

3.3 Electrical characteristics

(Unless otherwise specified Topr=-25°C, Vcc=3.3V)

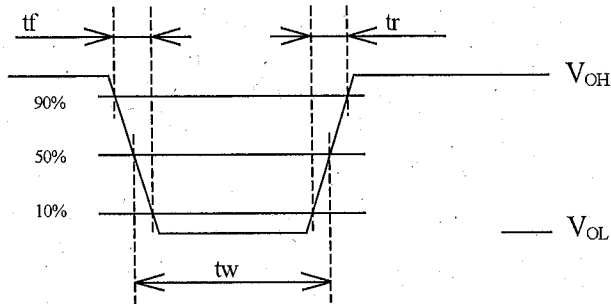
Parameter	Symbol	MIN.	TYP.	MAX.	Unit	Remark
Current consumption at no input signal	I _{CC}	-	90	120	μA	No input signal, V _{IHS} D=0V, Output terminal OPEN
Current consumption at Shut-down mode	I _{CC-S}	-	0.001	0.1	μA	No input signal, V _{IHS} D=V _{CC} , Output terminal OPEN
High level output voltage	V _{OH}	V _{CC} -0.4	-	-	V	I _{OH} =-200 μA, V _{CC} =2.0 to 3.6V ※1, 2, 3
Low level output voltage	V _{OL}	-	-	0.45	V	I _{OL} =200 μA, V _{CC} =2.0 to 3.6V ※1, 2, 3
Low level pulse width	t _w	1.28	-	6.0	μs	BR=115.2kbps, φ ≤ 15° ※1, 2, 3 C _L =10pF
Rise time	t _r	-	-	0.06	μs	
Fall time	t _f	-	-	0.06	μs	
Maximum reception distance	L	21	-	-	cm	BR=115.2kbps, φ ≤ 15° ※1, 2, 3
Input irradiance	E _e	-	-	0.081	W/m ²	
Receiver Latency	t _l	-	25	300	μs	
Receiver wakeup time	t _{sdw}	-	-	200	μs	No input signal
Radiant intensity	I _B	4.0	-	25	mW/sr	BR=115.2kbps, φ ≤ 15° V _{IHTXD} =2.8V ※4, 5, 6
LED peak current	I _{LED}	25	32	44	mA	
Rise time	t _r	-	-	0.6	μs	
Fall time	t _f	-	-	0.6	μs	
Peak emission wavelength	λ _p	850	870	900	nm	
Maximum optical pulse width	t _{OPWM}	20	-	300	μs	TXD pin stuck high

※1 Input signal waveform (Detector side)

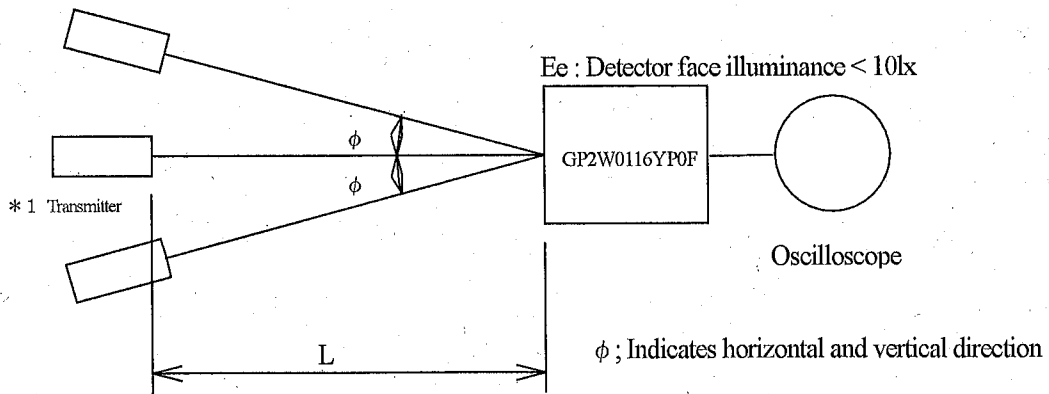


At BR= 2.4kbps : $T1=416.7\ \mu\text{s}$, $T2=78.1\ \mu\text{s}$
 At BR=115.2kbps : $T1=8.68\ \mu\text{s}$, $T2=1.63\ \mu\text{s}$

※2 Output waveform specification (Detector side)

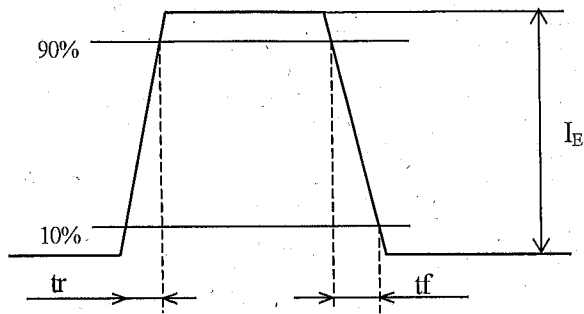


※3 Standard optical system (Detector side)

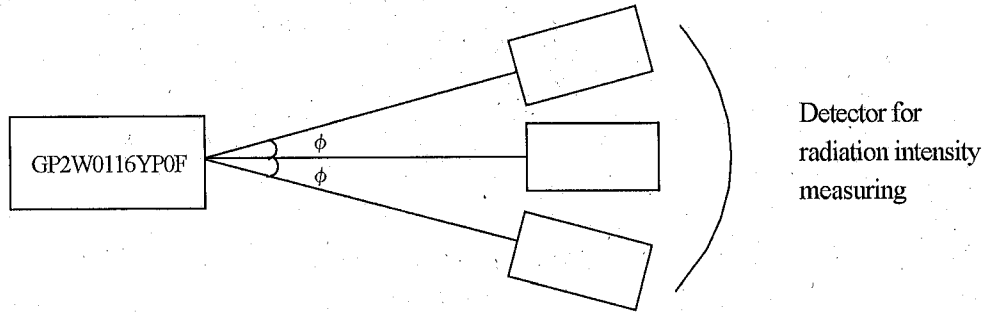


*1 Transmitter shall use GP2W0116YP0F ($\lambda_p=870\text{nm}$ TYP) which is adjusted the radiation intensity at 3.6mW/sr .

※4 Output waveform specification (Emitter side)

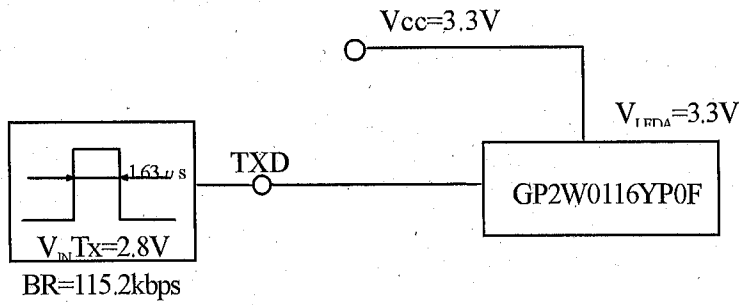


※5 Standard optical system (Emitter side)



ϕ : Indicates horizontal and vertical directions

※6 Recommended circuit (Emitter side)



4. Reliability

The reliability of products shall satisfy items listed below.

Confidence level : 90%
LTPD : 10 or 20

Test Items	Test Conditions	Failure Judgement Criteria	Samples (n)
			Defective(C)
* Temperature cycling	1 cycle -40°C to +85°C (30min) (30min) 20 cycles test	$I_{CC} > U_p \times 1.2$ $L < Low \times 0.8$ $I_E < Low \times 0.8$ $I_E > U_p \times 1.2$ U_p : Upper specification limit L_{ow} : Lower specification limit	n=22, c=0
* High temp. and high humidity storage	+40°C, 90%RH, 240h		n=22, c=0
* High temp. storage	+85°C, 240h		n=22, c=0
* Low temp. storage	-40°C, 240h		n=22, c=0
* Operation life	+25°C, $V_{CC}=LEDA=3.3V$, 240h Pulse width 78.1 μs , Duty ratio 3/16		n=11, c=0
Mechanical shock	1000m/s ² , 6ms 3 times/ $\pm X, \pm Y, \pm Z$ direction		n=11, c=0
Variable frequency vibration	200m/s ² , 100 to 2000 to 100Hz/ Approx. for 4min, 48min/ X, Y, Z direction		n=11, C=0
Reflow solder heat	260°C, 10s, 2 times Regarding temperature profile, Refer to attached soldering notes.		n=11, c=0

In the test *mark above, the sample to be tested shall be left at normal temperature and humidity for 2h after it is taken out of the chamber. (No dew point)

5. Outgoing inspection

(1) Inspection lot

Inspection shall be carried out per each delivery lot.

(2) Inspection method

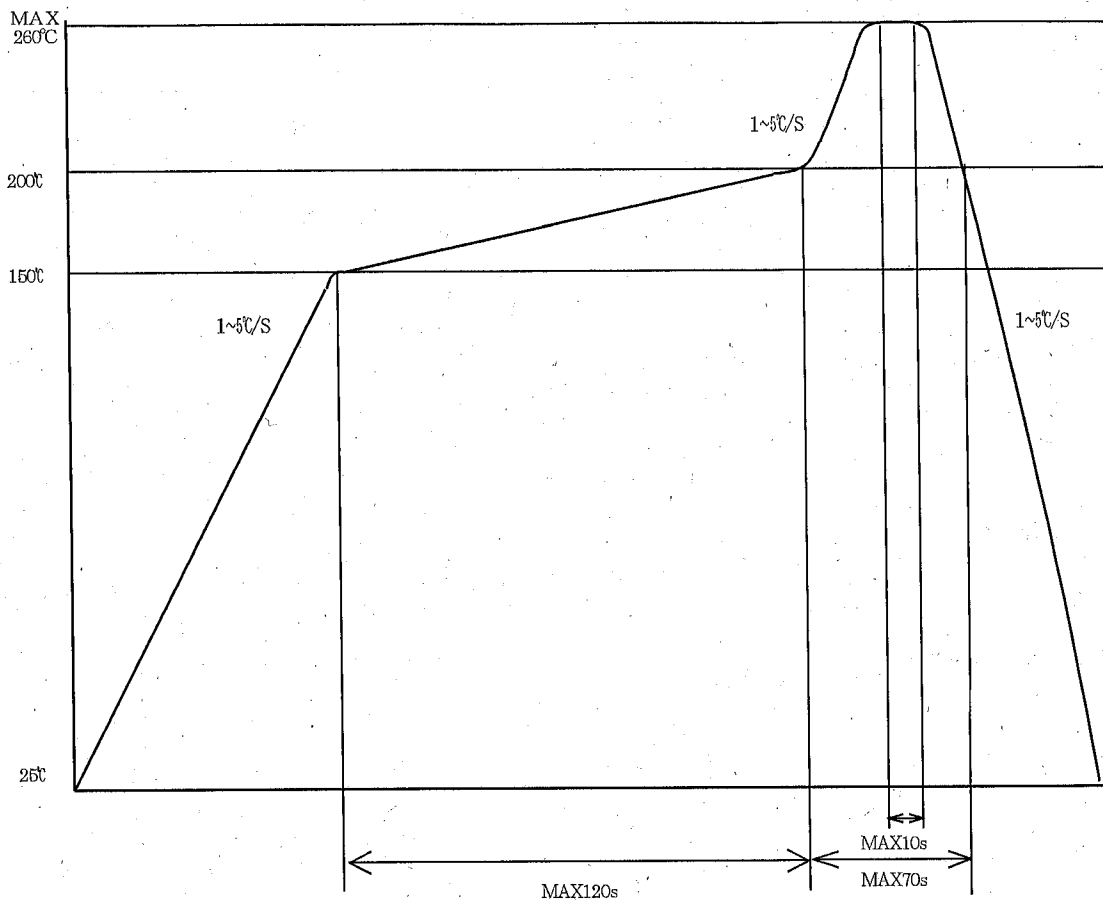
A single sampling plan, normal inspection level II based on ISO 2859 shall be adopted.

Parameter	Inspection items and test method		AQL(%)	
Major defect	1	Disconnection, short	0.1	
	2	Inverse polarity on terminal		
	3	Soldering defect		
	4	Electrical characteristic defect in parameter 3.3.		
Minor defect	1	Appearance defect	0.25	
		Parameter		Judgement criteria
		Split, Chip, Scratch, Stain, Blur		One which affects the characteristics of parameter 3.3 shall be defect.

Precautions for Soldering

1. In case of solder reflow

Please carry out only two times soldering at the temperature and the time within the temperature profile as shown in the figure below. Reflow interval shall be within three days under conditions, 10 to 30°C, 70%RH or less.



2. Other precautions

An infrared lamp used to heat up for soldering may cause a localized temperature rise in the resin. So keep the package temperature within that specified in Item 1. Also avoid immersing the resin part in the solder. Even if within the temperature profile above, there is the possibility that the gold wire in package is broken in case that the deformation of PCB gives the affection to lead pins. Please use after confirmation the conditions fully by actual solder reflow machine.

3. Soldering

- Soldering iron shall be less than 25W, and temperature of point of soldering iron shall use at less than 300°C.
- Soldering time shall be within 5s.
- Soldered product shall treat at normal temperature.
- Solder: 6/4 solder or included Ag solder.

Taping specifications

1. Application

This packing specification sheets specify the taping specifications for GP2W0116YP0F.

2. Taping method

2-1. Taping material

Name	Material	Counter measure for ESD
Reel	PPE	Conductive type
Carrier tape	PC	Conductive type
Cover tape	PET	Conductive type

2-2. Tape structure and Dimensions (Refer to the attached sheet, page 15.)

The tape shall have a structure in which a cover tape is sealed heat-pressed on the carrier tape of conductive PC.

2-3. Reel structure and Dimensions (Refer to the attached sheet, page 16.)

The taping reel shall be conductive PPE with its dimensions as shown in the attached drawing.

2-4. Direction of product insertion (Refer to the attached sheet, page 16.)

Product direction in carrier tape shall be that electrode side of product places on the pull-out side of the tape and lens side of product places on the cover tape side.

2-5. The way to repair taped failure devices

The way to repair taped failure devices cut a bottom of carrier tape with a cutter, and after replacing to good devices, the cutting portion shall be sealed with adhesive tape. In this case, device will not be refilled.

3. Adhesiveness of cover tape

The exfoliation force between carrier tape and cover tape shall be 0.2N to 1N for the angle from 160° to 180°.

4. Rolling method and quantity

Wind the tape back on the reel so that the cover tape will be outside the tape.

Attach more than 20cm of blank tape to the trailer and the leader of the tape and fix the both ends with adhesive tape.

One reel shall contain 2000pcs, except for the item 2-5 above.

Continuous lack of components more than 2 shall not be acceptable.

5. Safety protection during shipping

There shall be no deformation of component or degradation of electrical characteristics due to shipping.

Taping moisture-proof packing

1. Application

This packing specification sheets apply to the moist-proof packing for the GP2W0116YP0F in the taping package.

2. Packaging specifications

2.1 Packaging material

Name	Material	Counter measure for ESD	Q'ty
Aluminum laminate bag	Aluminum polyethylene	Conductive type	Refer to 2.2
Label	Paper(-made)	Non	
Siccative	-	Non	
Packing case	Paper	Non	
Pads	Paper	Non	
Indicator	Paper	Non	

2.2 Packaging method

- (1) Seal the aluminum laminated bag that contains tape reel (contains 2,000 devices per reel) and siccative.
- (2) Fill necessary information to the label and paste it on the aluminum laminate bag.
- (3) Pack 4 aluminum laminated bags (contains 1 reel each) into the designated packing case, where paper pads are placed on the bottom and top of the packing case, as well as each layer of the aluminum laminated bags.

Package shape	Product	Q'ty	Moisture-proof sack Q'ty
Tape reel (φ 330mm)	1 model	2000pcs. /reel *	1reel / laminated bag

Minimum order/shipment q'ty should be 1 laminated bag.

- (4) The packing case would be then sealed with the craft tape, with indication of model name quantity, and outgoing inspection date on the case.
(Total of 8,000pcs. per carton) * Except for the case that device is removed.

3. Storage and Treatment after Unsealed

3.1 Storage conditions The delivered product should be stored with the conditions shown below;

Storage temperature : 10 to 30°C

Humidity : below 70%RH

The warranty term for the shipped product shall be for 1 year after shipping to the designated place by the ordered customer.

3.2 Treatment after open

- (1) After unsealed, devices should be mounted under the temperature condition of 10 to 30°C, at the humidity condition of below 70%RH, within 3 days.
- (2) In case that long term storage is needed, devices should either be stored in dry box, or re-sealed to moist-proof bag with siccative and leave them in the environment where the temperature is 10 to 30°C, at the humidity condition of below 70%RH. Devices must be mounted within 2 weeks.

3.3 Baking before mounting

In the event that the devices are not maintained in the storage conditions described above, or the enclosed siccative indicator already turned its color to pink, baking must be applied before devices are to be mounted.

The case that GP2W0116YP0F was not mounted under the temperature condition of 10 to 30°C, at humidity condition of 70%RH or lower within 3 days after 1st time reflow, baking process must be applied before 2nd time reflow.:

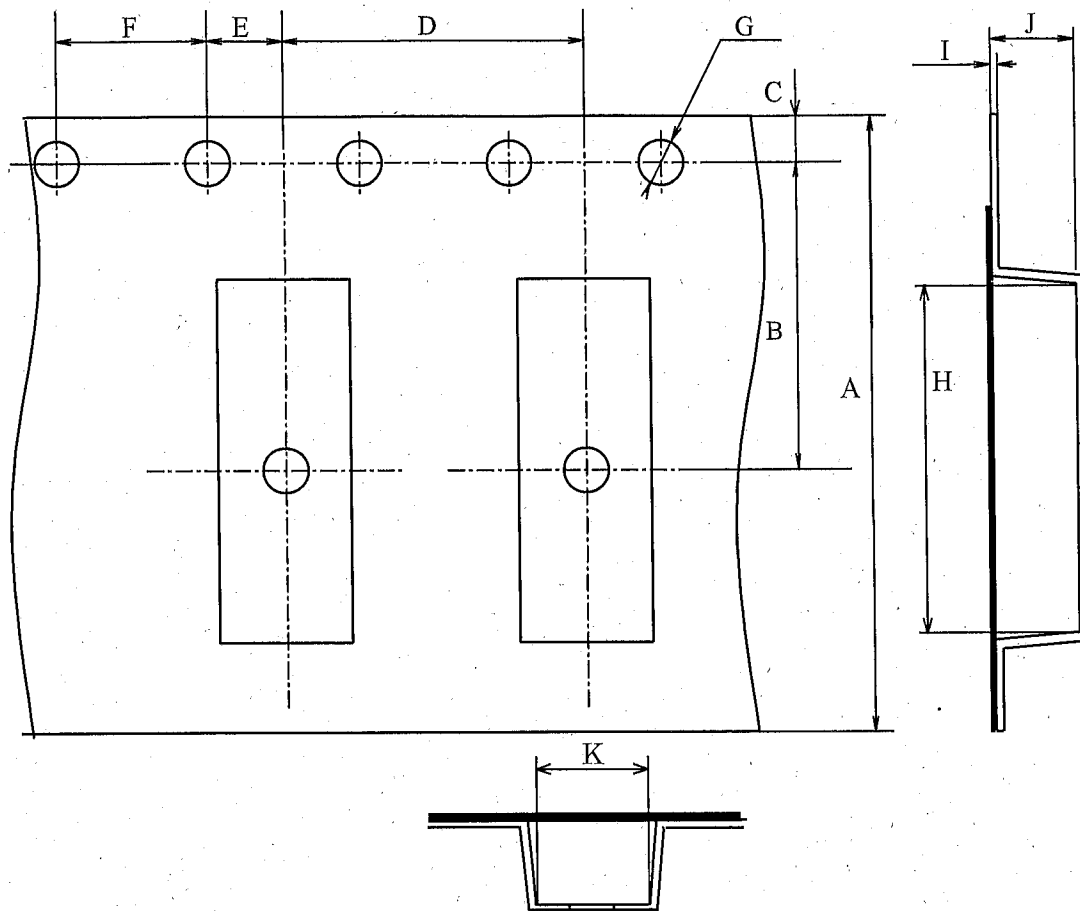
Please also note that baking should only be applied once.

Recommended condition : 100 to 110°C, 12 to 24 hours

※ Baking will not properly done in packing condition. To complete the baking properly, devices should either be temporary mounted to PCB with adhesive, or placed to the metal tray.

(The temporary mounting shall not be done by soldering, but by adhesive etc.)

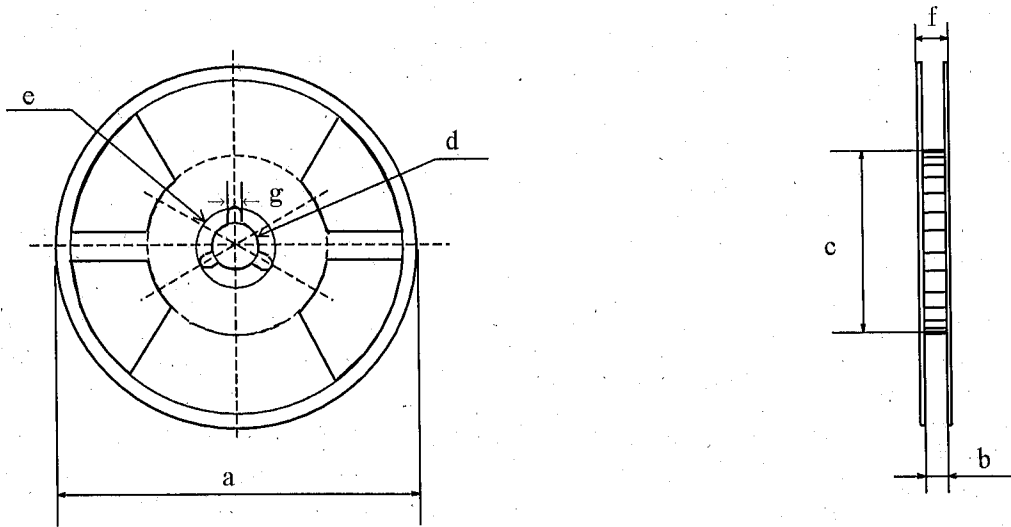
2-1. Tape structure and Dimensions



Symbol	A	B	C	D	E	F
Unit						
mm	± 0.3 16.0	± 0.1 7.5	± 0.1 1.75	± 0.1 8.0	± 0.1 2.0	± 0.1 4.0

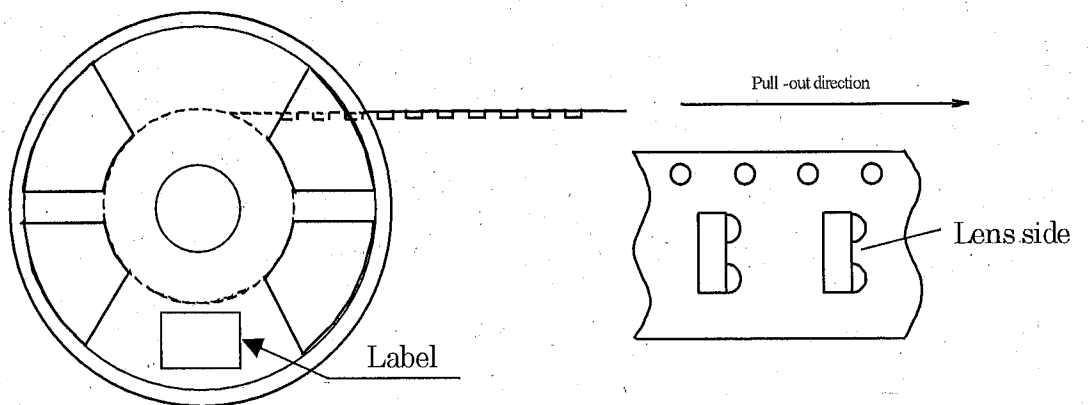
Symbol	G	H	I	J	K
Unit					
mm	$\begin{matrix} +0.1 \\ \phi 1.5 \\ -0.0 \end{matrix}$	± 0.1 7.45	± 0.05 0.32	± 0.1 2.1	± 0.1 2.8

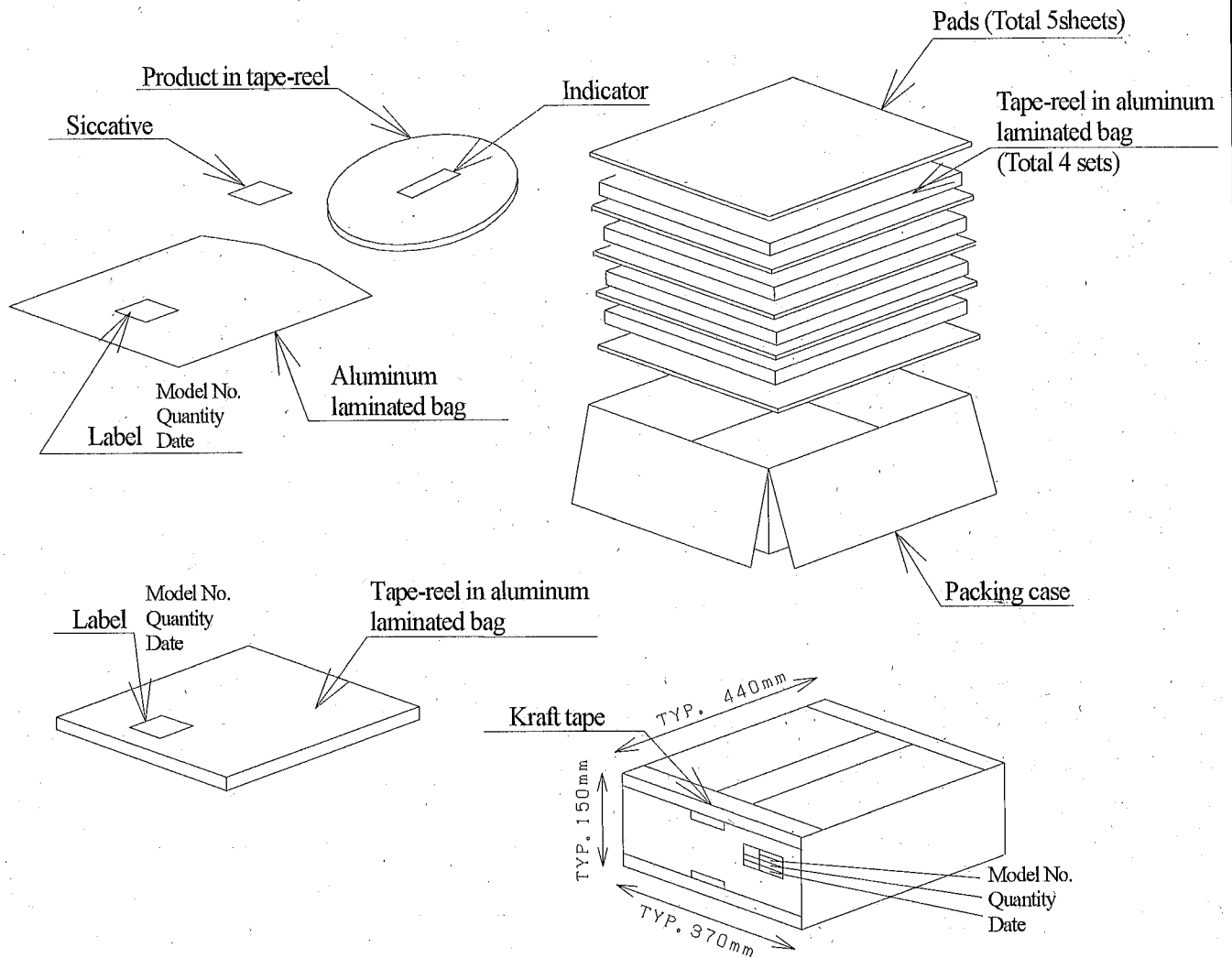
2-2. Reel structure and Dimensions



Symbol Unit	Check word						
	a	b	c	d	e	f	g
mm	330±2	17.5±1.0	100±1	13±0.2	21±0.8	22.4±1.0	2±0.5

2-3. Direction of product insertion





Package method

- (1) Seal the aluminum laminated bag included the tape reel with 2000pcs. and siccative.
- (2) Fill up the model name, quantity etc. in the blank of label and paste on the bag.
- (3) Put the four moisture-proof laminated bag in the ruled case.
Put the pad between the bags, and top and bottom.
- (4) The case seals with kraft tape, and indicate model No., quantity and date.
(8000pcs./package)

Total packaged mass : Approx 3.3kg

Name	GP2W0116YP0F Packing specification
------	---------------------------------------