

## 阅读申明

- 1.本站收集的数据手册和产品资料都来自互联网，版权归原作者所有。如读者和版权方有任何异议请及时告之，我们将妥善解决。
- 2.本站提供的中文数据手册是英文数据手册的中文翻译，其目的是协助用户阅读，该译文无法自动跟随原稿更新，同时也可能存在翻译上的不当。建议读者以英文原稿为参考以便获得更精准的信息。
- 3.本站提供的产品资料，来自厂商的技术支持或者使用者的心得体会等，其内容可能存在描述上的差异，建议读者做出适当判断。
- 4.如需与我们联系，请发邮件到marketing@iczoom.com，主题请标有“数据手册”字样。

## Read Statement

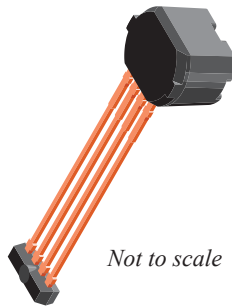
1. The datasheets and other product information on the site are all from network reference or other public materials, and the copyright belongs to the original author and original published source. If readers and copyright owners have any objections, please contact us and we will deal with it in a timely manner.
2. The Chinese datasheets provided on the website is a Chinese translation of the English datasheets. Its purpose is for reader's learning exchange only and do not involve commercial purposes. The translation cannot be automatically updated with the original manuscript, and there may also be improper translations. Readers are advised to use the English manuscript as a reference for more accurate information.
3. All product information provided on the website refer to solutions from manufacturers' technical support or users the contents may have differences in description, and readers are advised to take the original article as the standard.
4. If you have any questions, please contact us at marketing@iczoom.com and mark the subject with "Datasheets" .

## Dual Output Differential Speed and Direction Sensor IC

### Features and Benefits

- Two independent digital outputs representing the sensed target's mechanical profile
- Optional output with high resolution position and direction detection information
- Air gap independent switch points
- Integrated back-biasing magnetic circuit
- Immunity to external magnetic interference
- Wide operating voltage range
- Single chip IC for high reliability
- Robust test coverage and reliability using Scan and IDDQ test methodologies
- Optional Double-Bandwidth configuration

### Package: 4-pin SIP (suffix SG)



### Description

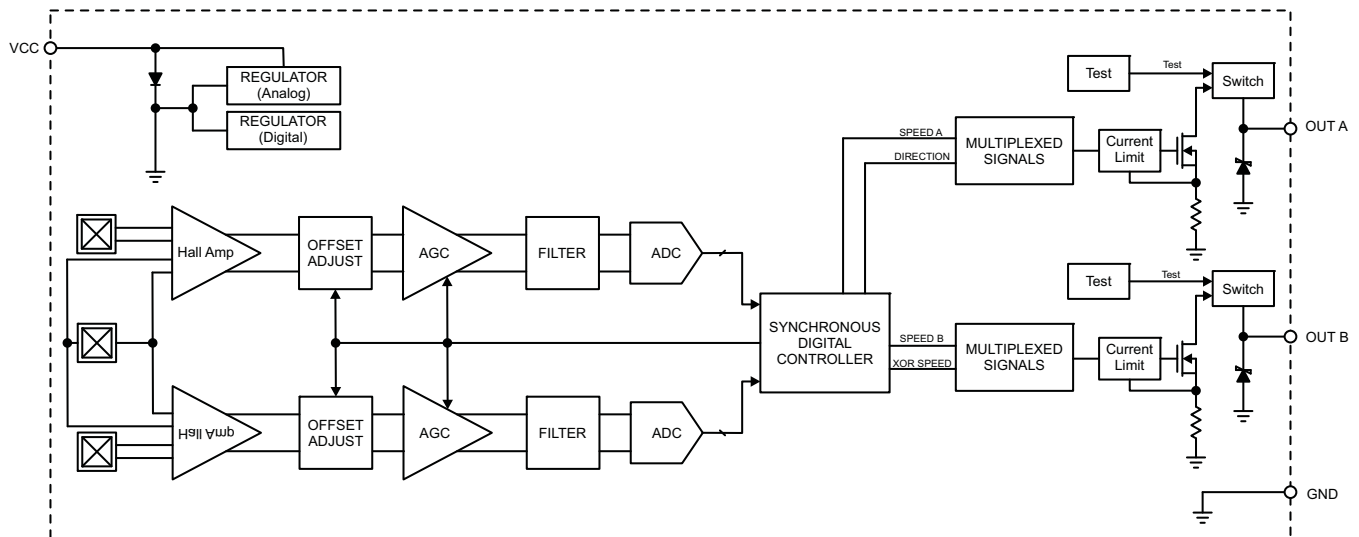
The ATS605LSG provides a single IC solution to rotational position sensing applications with a ferrous gear target. The SG package incorporates a rare earth pellet for ease of manufacturing, consistent performance over temperature, and enhanced reliability.

Three Hall elements are incorporated to create two independent differential channels. These channels are processed by the IC which contains a sophisticated digital circuit designed to eliminate the detrimental effects of magnet and system offsets. Hall differential signals are used to produce a highly accurate speed output and, if desired, provide information on the direction of rotation.

Advanced calibration techniques are used to optimize signal offset and amplitude. This calibration, combined with the digital tracking of the signal, results in accurate switch-points over air gap, speed, and temperature. The open-drain outputs provide voltage output signals which mirror the sensed target's shape, with a phase separation between the two channels proportionate to the size of the target teeth vs. the Hall element spacing. This sensor IC system is optimized for a variety of applications requiring dual phase gear speed and position information or simultaneous high-resolution gear speed and direction information.

The ATS605 is offered in a lead (Pb) free 4-pin SIP package with an integrated back-biasing magnet with a 100% matte tin plated leadframe.

### Functional Block Diagram



## Selection Guide

Part Number	Operating Ambient Temperature Range $T_A$ , (°C)	Output Configuration	Operational Frequency (kHz)	Packing*
ATS605LSGTM-S-T	-40 to 150	Speed (OUTA); Speed (OUTB)	20	800 pieces per 13-in. reel
ATS605LSGTM-S-H-T	-40 to 150	Speed (OUTA); Speed (OUTB)	40	800 pieces per 13-in. reel
ATS605LSGTM-F-T	-40 to 150	Direction (OUTA); XOR Speed (OUTB)	20	800 pieces per 13-in. reel
ATS605LSGTM-F-H-T	-40 to 150	Direction (OUTA); XOR Speed (OUTB)	40	800 pieces per 13-in. reel
ATS605LSGTM-R-T	-40 to 150	Inverse Direction (OUTA); XOR Speed (OUTB)	20	800 pieces per 13-in. reel
ATS605LSGTM-R-H-T	-40 to 150	Inverse Direction (OUTA); XOR Speed (OUTB)	40	800 pieces per 13-in. reel

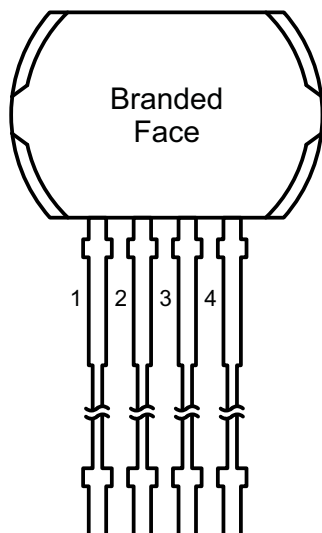


\*Contact Allegro™ for additional packing options.

## Absolute Maximum Ratings

Characteristic	Symbol	Notes	Rating	Unit
Supply Voltage	$V_{CC}$	Refer to Power Derating section	28	V
Reverse Supply Voltage	$V_{RCC}$		-18	V
Reverse Supply Current	$I_{RCC}$		-50	mA
Reverse Output Voltage	$V_{ROUT}$		-0.5	V
Forward Output Voltage	$V_{OUT}$		28	V
Output Sink Current	$I_{OUTSINK}$	Internal current limiting is intended to protect the device from output short circuits, but is not intended for continuous operation.	25	mA
Operating Ambient Temperature	$T_A$	L temperature range	-40 to 150	°C
Maximum Junction Temperature	$T_{J(max)}$		165	°C
Storage Temperature	$T_{stg}$		-65 to 170	°C

Pin-out Diagram



Terminal List Table

Number	Name	Description
1	VCC	Supply voltage
2	OUTB	Option [-S]: Speed (OUTB) Option [-F]: XOR Speed Option [-R]: XOR Speed
3	OUTA	Option [-S]: Speed (OUTA) Option [-F]: Default Direction Option [-R]: Inverse Direction
4	GND	Ground

## OPERATING CHARACTERISTICS: over operating voltage and temperature range, unless otherwise noted

Characteristic	Symbol	Test Conditions	Min.	Typ. <sup>1</sup>	Max.	Unit
<b>Electrical Characteristics</b>						
Supply Voltage	$V_{CC}$	Operating, $T_J < T_{J(max)}$	4.0	–	24	V
Reverse Supply Voltage	$V_{RCC}$		–18	–	–	V
Under Voltage Lockout	$V_{CC(UV)}$	$V_{CC}$ from 0 → 5 V or 5 → 0 V	–	–	3.95	V
Reverse Supply Current	$I_{RCC}$	$V_{CC} = -18$ V	–	–	–10	mA
Supply Zener Clamp Voltage	$V_{Zsupply}$	$I_{CC} = I_{CC(max)} + 3$ mA, $T_A = 25^\circ\text{C}$	28	–	–	V
Supply Current	$I_{CC}$	Output OFF ( $V_{OUT} = \text{High}$ )	–	8.5	13	mA
		Output ON ( $V_{OUT} = \text{Low}$ )	–	8.5	13	mA
<b>Power-On State Characteristics</b>						
Power-On State	POS	$V_{OUTA}$ , $V_{OUTB}$ , as connected in Figure 7	–	High	–	
Power On Time <sup>2,3</sup>	$t_{PO}$	$f_{OP} < 200$ Hz	–	–	2	ms
<b>Output Stage for Each Output Pin</b>						
Low Output Voltage	$V_{OUT(SAT)}$	$I_{OUT} = 10$ mA, Output = ON	–	165	350	mV
Output Zener Clamp Voltage	$V_{Zoutput}$	$I_{OUT} = 3$ mA, $T_A = 25^\circ\text{C}$	28	–	–	V
Output Current Limit	$I_{OUT(LIM)}$	Output = ON ( $V_{OUT} = \text{Low}$ ), measured with $R_{PULLUP} = 0 \Omega$ , $T_J < T_{J(MAX)}$	30	55	85	mA
Output Leakage Current	$I_{OUT(OFF)}$	Output = OFF, $V_{OUT} = 24$ V	–	–	10	$\mu\text{A}$
Output Rise Time	$t_r$	10% - 90%, $V_{PU} = 12$ V, $R_{PULLUP} = 1$ k $\Omega$ , $C_L = 4.7$ nF	–	10	–	$\mu\text{s}$
Output Fall Time	$t_f$	90% - 10%, $V_{PU} = 12$ V, $R_{PULLUP} = 1$ k $\Omega$ , $C_L = 4.7$ nF	–	0.6	–	$\mu\text{s}$
<b>DAC Characteristics</b>						
Allowable User-Induced Magnetic Offset <sup>4,5</sup>	$B_{DIFFEXT}$	User induced differential offset	–60	–	60	G
<b>Switch Point Characteristics</b>						
Minimum Operational Frequency	$f_{OPmin}$	Allegro® reference target	0	–	–	kHz
Maximum Operational Frequency	$f_{OPmax}$	Allegro® reference target	–	20	–	kHz
		Allegro® reference target, double-bandwidth option, suffix “-H”	–	40	–	kHz
Analog Signal Bandwidth	$f_{-3dB}$	Cutoff frequency for low-pass filter	–	20	–	kHz
		Cutoff frequency for low-pass filter, double-bandwidth option	–	40	–	kHz
Operate Point	$B_{OP}$	% of $V_{PROC(PKPK)}$ , Output OFF to ON	–	70	–	%
Release Point	$B_{RP}$	% of $V_{PROC(PKPK)}$ , Output ON to OFF	–	30	–	%
Lockout Enable	$V_{LOE}$	$V_{PROC(PKPK)} < V_{LOE} = \text{Output Switching Disabled}$	–	250	–	mV
Lockout Release	$V_{LOR}$	$V_{PROC(PKPK)} > V_{LOE} = \text{Output Switching Enabled}$	–	350	–	mV

Continued on the next page...

<sup>1</sup>Typical data is at  $V_{CC} = 12$  V and  $T_A = +25^\circ\text{C}$ . Performance may vary for individual units, within the specified maximum and minimum limits.

<sup>2</sup>Power-On Time is the time required to complete the internal automatic offset adjust; the registers are then ready for peak acquisition.

<sup>3</sup>High speed power-on compliant, however several missing output transitions are possible.

<sup>4</sup>1 G (gauss) = 0.1 mT (millitesla).

<sup>5</sup>The device compensates for magnetic and installation offsets. Offsets greater than specification in gauss may cause inaccuracies in the output.

**OPERATING CHARACTERISTICS** (continued) Valid throughout full operating and temperature ranges; using Reference Target 60-0; unless otherwise specified

Characteristic	Symbol	Test Conditions	Min.	Typ. <sup>7</sup>	Max.	Unit
<b>Calibration</b>						
First Output Edge	–	$f_{OP} < 600 \text{ Hz}$ , $V_{CC} > V_{CC(MIN)}$	–	1	–	tooth
Initial Calibration <sup>8</sup>	CAL <sub>I</sub>		–	3	8	edge
<b>Operating Characteristics (with Allegro 60-0 reference target)</b>						
Operational Air Gap Range <sup>9</sup>	AG		0.75	–	3	mm
Direction Output Delay	$t_d$	Delay between first XOR SPEED output transition and reported direction change	–	400	–	ns
Maximum Sudden Air Gap Change / Signal Reduction <sup>10</sup>	$\Delta B_{IN}$	Differential magnetic signal reduction due to instantaneous air gap change; symmetrical signal reduction, $f_{OP} < 500 \text{ Hz}$ , $V_{PROC(PKPK)} > V_{LOE}$ after sudden air gap change	–	40	–	% pk-pk
Duty Cycle Variation	$\Delta D$	Valid for SPEED(OUTA) and SPEED(OUTB)	40	50	60	%
Minimum Operating Signal <sup>11</sup>	$B_{IN}$	$f_{OP} < 10,000 \text{ Hz}$ , Output switching (no missed edges)	–	30	–	G
		$f_{OP} \geq 10,000 \text{ Hz}$ , Output switching (no missed edges)	–	60	–	G

<sup>7</sup>Typical data is at VCC = 12 V and TA = +25°C. Performance may vary for individual units, within the specified maximum and minimum limits.

<sup>8</sup>Possible reduced edge accuracy,  $\Delta D$  not guaranteed. Edges are sensed target mechanical edges (see Definitions of Terms for Switchpoints).

<sup>9</sup>Operating air gap is dependent on the available magnetic field. The available field is target geometry and material dependent and should be independently characterized.

<sup>10</sup>Maximum single outward sudden allowable air gap change is in outward direction (increase in air gap).

<sup>11</sup>Minimum operating signal, for either operating frequency range, is the differential magnetic field.

Definitions of Terms for Switchpoints

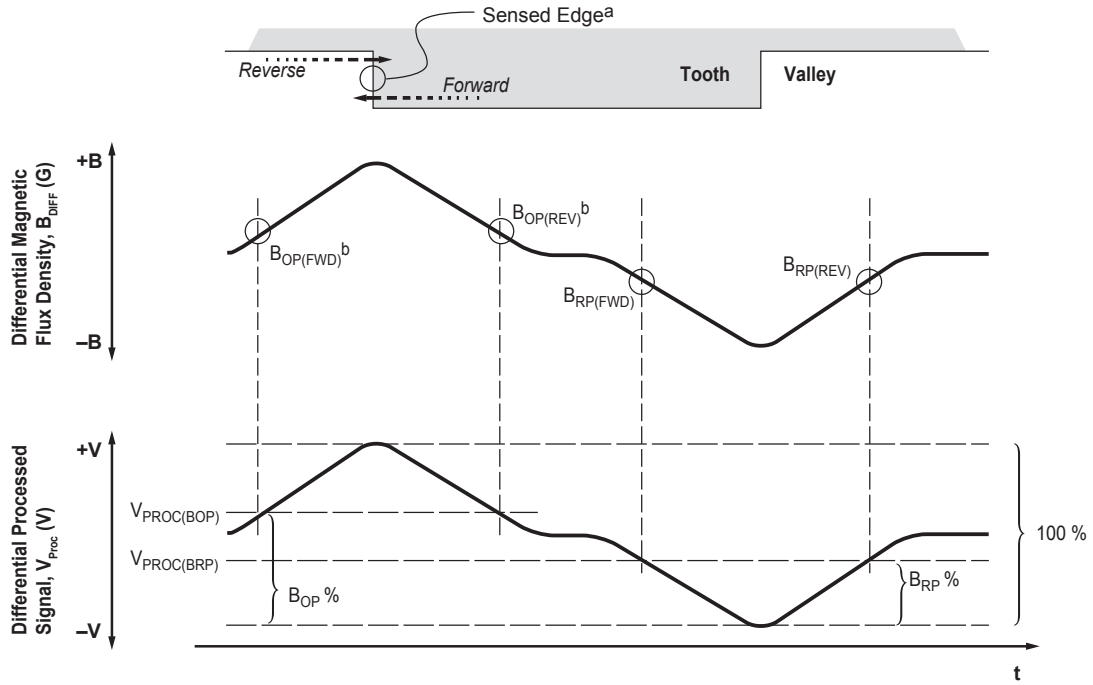


Figure 1: (a) Sensed Edge: leading (rising) mechanical edge in forward rotation, trailing (falling) mechanical edge in reverse rotation; (b)  $B_{OP(FWD)}$  triggers the output transition during forward rotation, and  $B_{OP(REV)}$  triggers the output transition during reverse rotation.

**REFERENCE TARGET CHARACTERISTICS 60-0 (60 Tooth Target)**

Characteristics	Symbol	Test Conditions	Typ.	Unit	Symbol Key
Outside Diameter	$D_o$	Outside Diameter of Target	120	mm	
Face Width	F	Breadth of tooth, with respect to sensor IC	6	mm	
Circular Tooth Length	t	Length of tooth, with respect to sensor IC; measured at $D_o$	3	deg	
Circular Valley Width	$t_v$	Length of valley, with respect to sensor IC; measured at $D_o$	3	deg	
Tooth Whole Depth	$h_t$		3	mm	
Material		Low Carbon Steel	-	-	

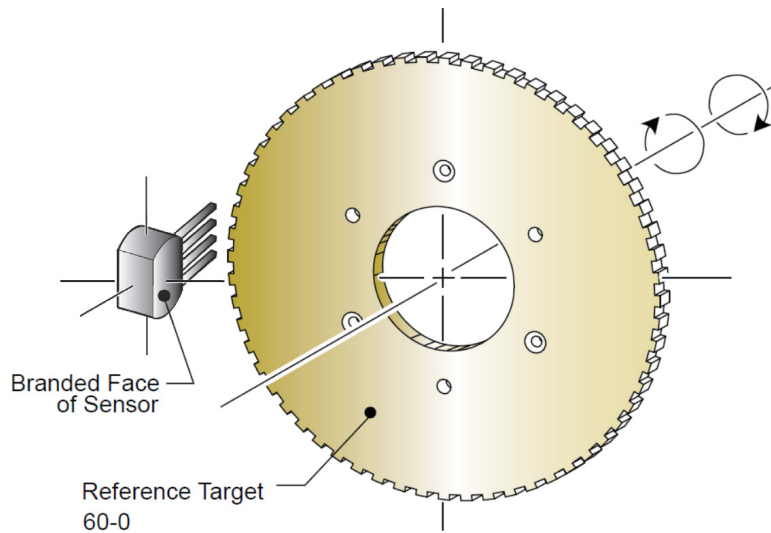


Figure 2: Example of Allegro Reference Gear



Functional Description

Sensing Technology

The ATS605 module contains a single-chip, dual differential Hall-effect sensor IC, a rare earth pellet, and a flat ferrous pole piece (concentrator). As shown in Figure 4, the Hall IC supports three Hall elements, which sense the magnetic profile of the ferrous gear target simultaneously, but at different points (each channel spaced at a 1.75 mm pitch), generating two differential internal analog voltages,  $V_{PROC}$ , that is processed for precise switching of the digital output signals.

The Hall IC is self-calibrating and also possesses a temperature compensated amplifier and offset cancellation circuitry. Its voltage regulator provides supply noise rejection throughout the operating voltage range. Changes in temperature do not greatly affect this device due to the stable amplifier design and the offset rejection circuitry. The Hall transducers and signal processing electronics are integrated on the same silicon substrate, using a proprietary BiCMOS process.

Target Profiling During Operation

An operating device is capable of providing digital information that is representative of the mechanical features of a rotating gear. The waveform diagram in Figure 4 presents the automatic translation of the mechanical profile, through the magnetic profile that it induces, to the digital output signal of the ATS605. No additional optimization is needed and minimal processing circuitry is required. This ease of use reduces design time and incremental assembly costs for most applications.

Operating Modes:

Calibration

Once the power-on time has elapsed, the sensor IC internally detects the magnetic profile of the target. The output becomes active at the first detected switchpoint.

The gain of the sensor IC is adjusted during the Calibration period, normalizing the internal signal amplitude for the air gap range of the device. This Automatic Gain Control (AGC) feature ensures that operational characteristics are isolated from the effects of installation air gap variation.

Automatic Offset Adjustment (AOA) is circuitry that compensates for the effects of chip, magnet, and installation offsets. (For capability, see Allowable User-Induced Magnetic Offset, in the Operating Characteristics table.) This circuitry works with the AGC during calibration to help center  $V_{PROC}$  in the dynamic range to allow for DAC acquisition of signal peaks.

Calibration also allows for the peak detecting DACs to properly acquire the magnetic signal, so that Running Mode switchpoints can be accurately computed.

Running Mode

After calibration is complete, direction information is available. This information is communicated through the available output option.

Peak-tracking DAC algorithms allow tracking of signal drift over temperature changes, as well as tracking of target variations, such as tooth-to-tooth variation and effective runout. The sensor's dynamic monitoring of these signal peaks is updated on each tooth and valley edge.

Automatic Offset Adjust remains active, allowing the IC to compensate for offsets induced by temperature variations over time.

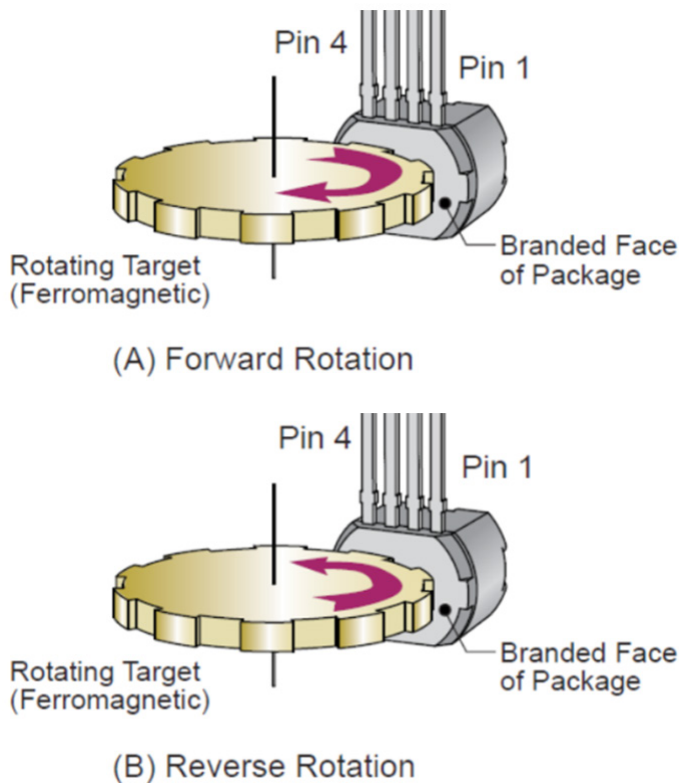


Figure 3: Target Rotation for Default Sensing Configuration. (A) Pin 4 to pin 1 is forward, and (B) pin 1 to pin 4 is reverse.



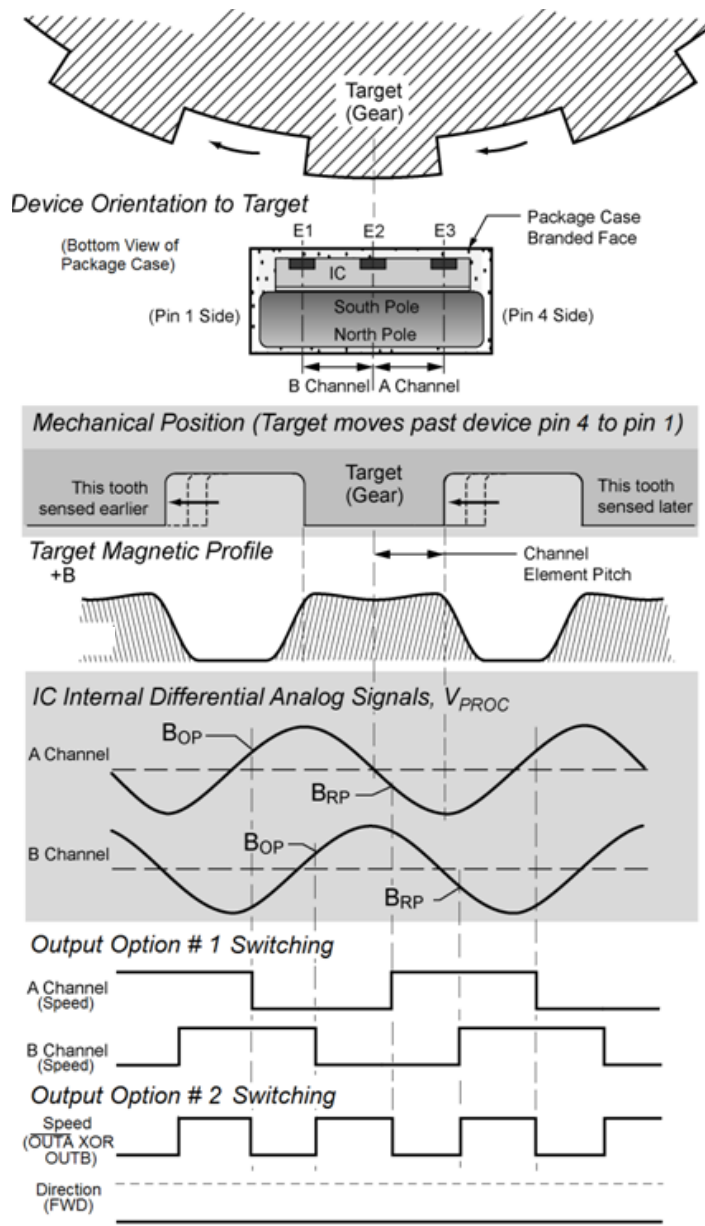


Figure 4: The magnetic profile reflects the geometry of the target, allowing the ATS605 to present an accurate digital output response. Please see Figure 5 for more detailed output switching.

**Output**

The device provides three outputs (DIRECTION, XOR SPEED, and SPEED), available in two combinations: *Option #1 (-S)* is SPEED (Ch. A) and SPEED (Ch. B), and *Option #2 (-F)* is XOR SPEED and DIRECTION. DIRECTION provides the target rotation direction relative to the device. XOR SPEED provides an XOR'd output of the two speed channels (Ch. A and Ch. B), which results in double the speed data rate without requiring changes to be made to the controller. SPEED will be updated before DIRECTION and is updated at every transition of both Channel A and Channel B allowing the use of up-down counters without the loss of pulses.

**Output Polarity**

In Figure 4, the top panel, labeled *Mechanical Position*, represents the mechanical features of the target gear and orientation to the device. The bottom panel, labeled *Output Option # 1*, the -S variant, displays the square waveforms corresponding to the digital SPEED output signals for channels A and B for a rotating gear in the forward rotation direction (gear tooth passing from the pin 4 side to the pin 1 side, Figure 3). The end result is the sensor output switching from high state to low state as the leading edge of a tooth (a rising mechanical edge, as detected by the sensor) passes the sensor face. If the direction of rotation is reversed so that the gear rotates from the pin 1 side to the pin 4 side (Figure 3), then the output polarity inverts (i.e., the output signal goes high when a rising edge is detected, and a tooth is the nearest feature to the sensor).

The *Output Option #2* panel refers to the -F variant, for which DIRECTION polarity is defined as ON (low) when the target crosses the sensor face in the forward direction (from the pin 4 side to the pin 1 side), and OFF (high) for the reverse direction (from the pin 1 side to the pin 4 side). There is an option, ATS605LSGTN-R-T, that inverts this DIRECTION output signal polarity (SPEED output polarity is unaffected and remains as defined above). XOR SPEED polarity is defined as SPEED A XOR SPEED B.

**Table 1: Output Pin Descriptions**

Option	Pin 2 / OUTB	Pin 3 / OUTA
Option 1 ("-S")	SPEED B	SPEED A
Option 2 ("-F")	XOR SPEED	DIRECTION
Option 2 ("-R")	XOR SPEED	Inverted DIRECTION

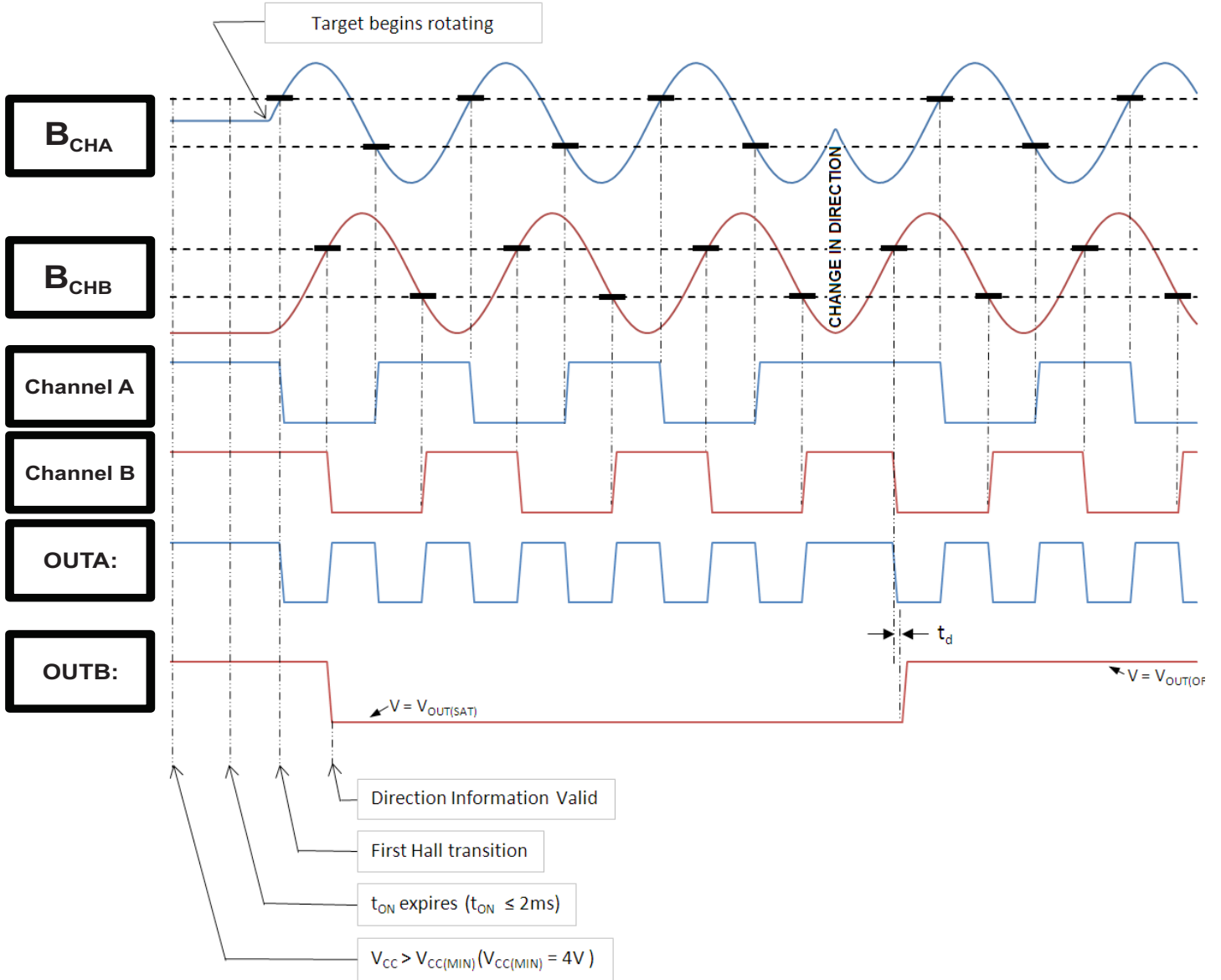


Figure 5: Direction change, first showing the default forward rotation output polarity and then for the same output configuration, the reverse direction polarity is shown (Pin 4 to Pin 1 is FWD).

## Device Features

### Under Voltage Lockout

When the supply voltage falls below the under voltage lockout voltage, UVLO, the device enters Reset, where the output state returns to the Power-On State (POS) until sufficient  $V_{CC}$  is supplied.  $I_{CC}$  levels may not meet datasheet limits when  $V_{CC} < V_{CC}(\min)$ . This lockout feature prevents false signals, caused by under voltage conditions, from propagating to the output of the sensor.

### Power Supply Protection

The device contains an on-chip regulator and can operate over a wide  $V_{CC}$  range. For devices that need to operate from an unregulated power supply, transient protection must be added externally. For applications using a regulated line, EMI/RFI protection may still be required. Contact Allegro MicroSystems for information on the circuitry needed for compliance with various EMC specifications. Refer to Figure 7 for an example of a basic application circuit.

### Automatic Gain Control (AGC)

This feature allows the device to operate with an optimal internal electrical signal, regardless of the air gap (within the AG specification). At power-on, the device determines the peak-to-peak amplitude of the signal generated by the target. The gain of the sensor is then automatically adjusted. Figure 6 illustrates the effect of this feature.

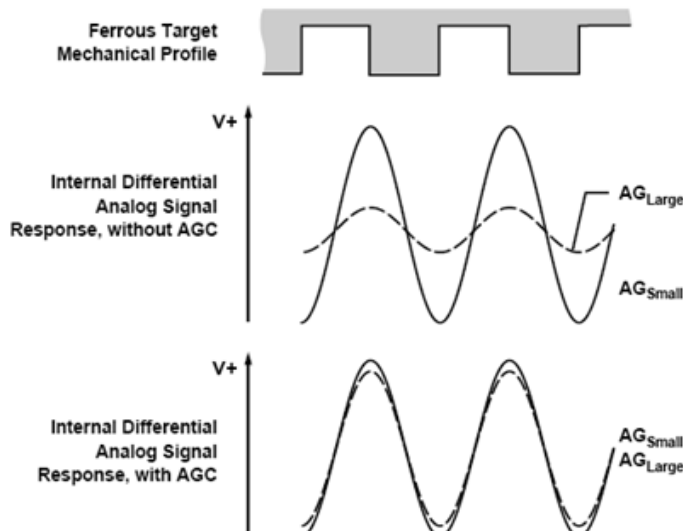


Figure 6: Automatic Gain Control (AGC). The AGC function corrects for variances in the air gap. Differences in the air gap cause differences in the magnetic field at the device, but AGC prevents that from affecting device performance, as shown in the lower panel.

### Automatic Offset Adjust (AOA)

The AOA circuitry automatically compensates for the effects of chip, magnet, and installation offsets. (For capability, see Allowable User-Induced Magnetic Offset, in the Operating Characteristics table.) This circuitry is continuously active, including both during power-on mode and running mode, compensating for any offset drift (within Allowable User-Induced Magnetic Offset). Continuous operation also allows it to compensate for offsets induced by temperature variations over time.

### Lockout

The ATS605 has a lockout feature to prevent switching on small signals that are characteristic of vibration signals. The internal logic of the chip will consider small signal amplitudes below a certain level to be vibration. The output will then be held to the state prior to lockout until the amplitude of the signal returns to normal operational levels. Lockout is independent between speed channels for the SPEED and SPEED output configuration, allowing one channel to continue switching without the other. The alternative XOR SPEED and DIRECTION configuration requires both channels to exceed the lockout release value before enabling these output signals.

### Assembly Description

The ATS605 is integrally molded into a plastic body that has been optimized for size, ease of assembly, and manufacturability. High operating temperature materials are used in all aspects of construction.

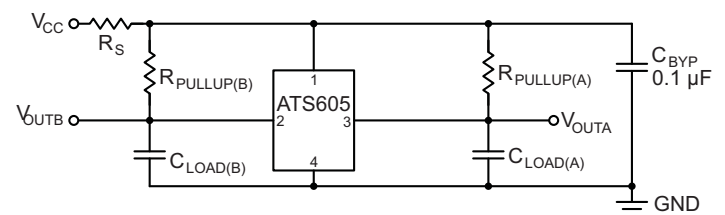


Figure 7: Typical Application Circuit

## Start Mode Hysteresis

This feature helps to ensure optimal self-calibration by rejecting electrical noise and low-amplitude target vibration during initialization. This prevents AGC from calibrating the IC on such spurious signals. Calibration can be performed using the actual target features.

A typical scenario is shown in Figure 8. The Start Mode Hysteresis,  $PO_{HYS}$ , is a minimum level of the peak-to-peak amplitude of the internal analog electrical signal,  $V_{PROC}$ , that must be exceeded before the ATS605 starts to compute switchpoints.

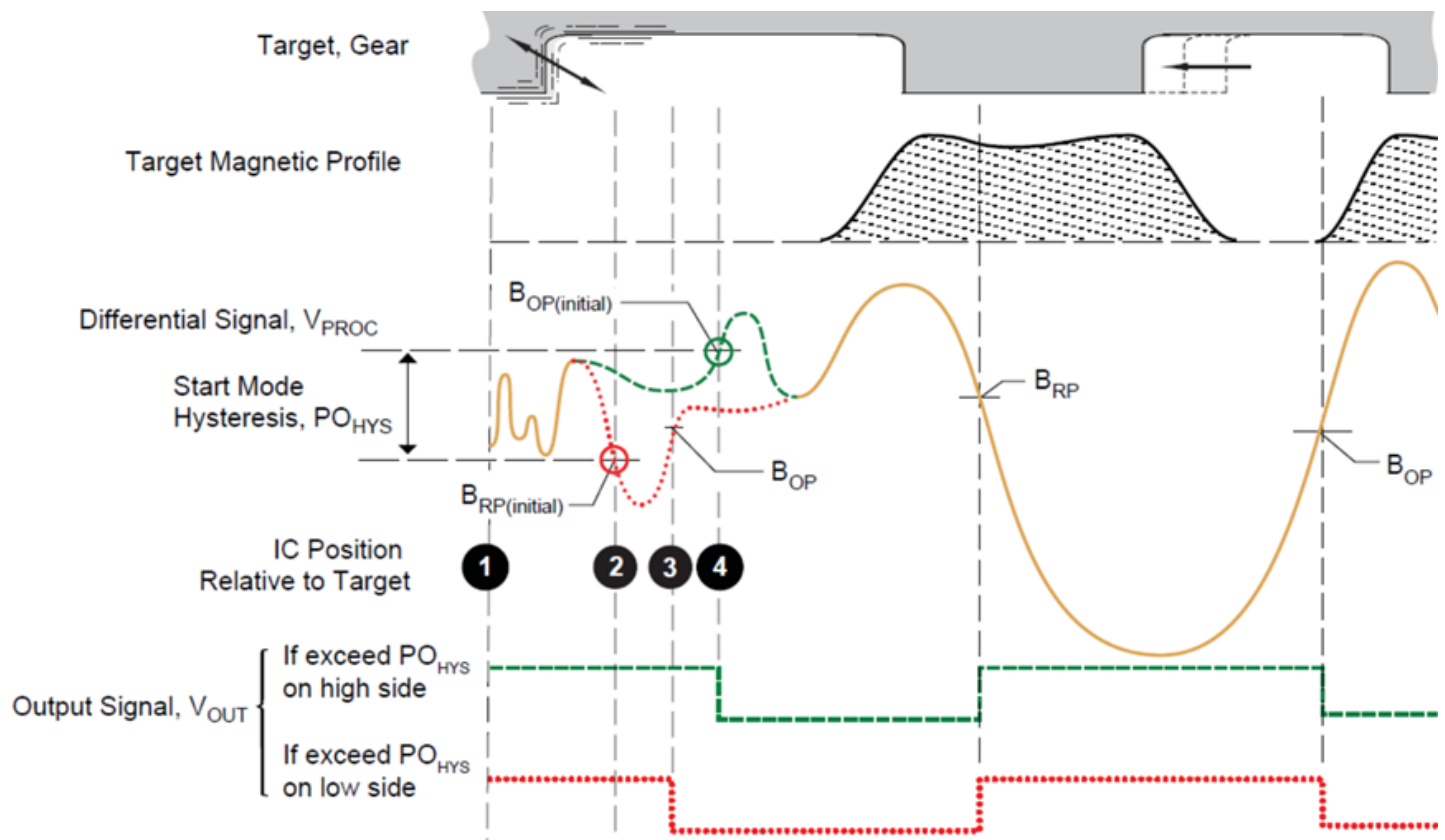
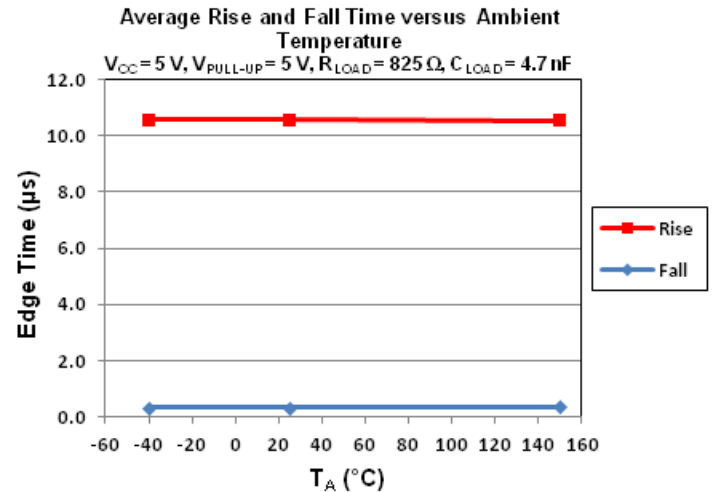
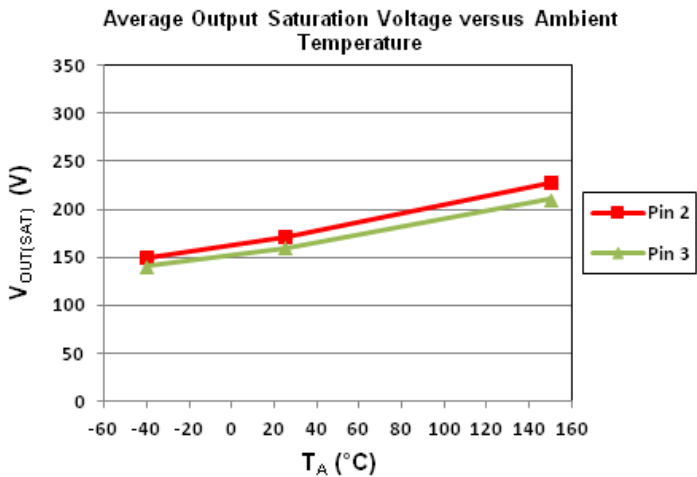
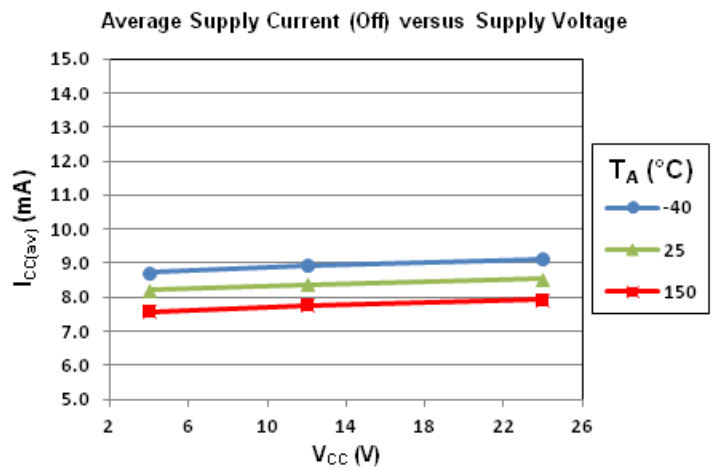
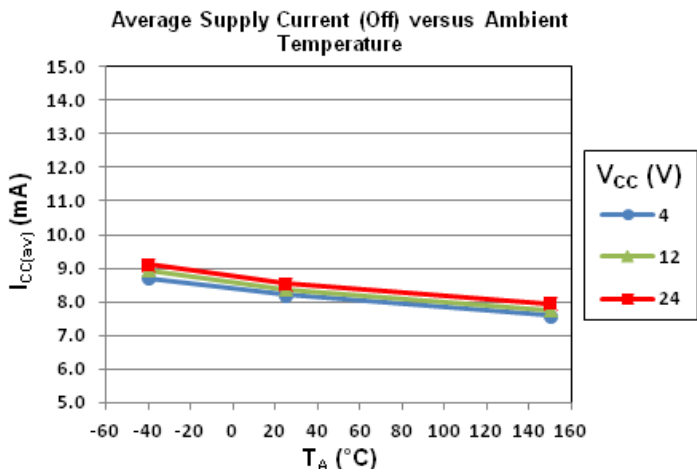
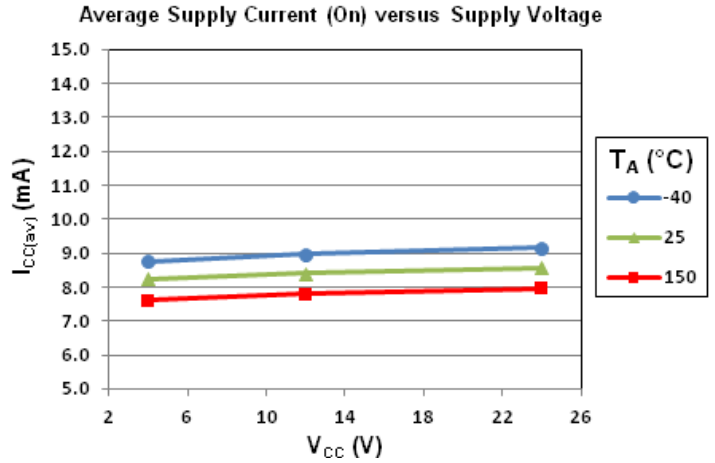
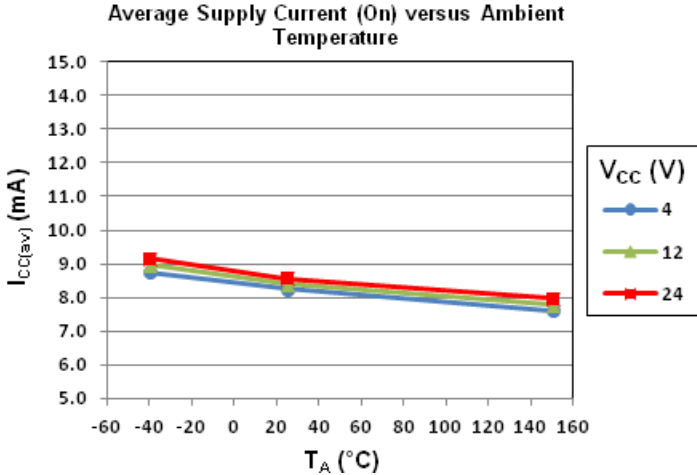


Figure 8: Operation of Start Mode Hysteresis

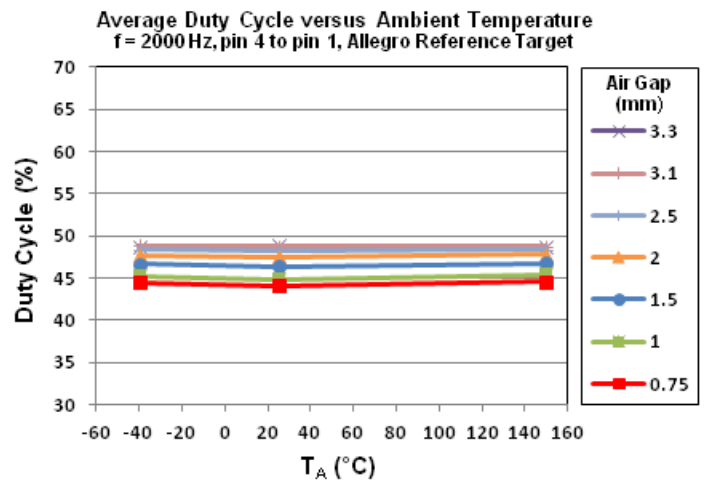
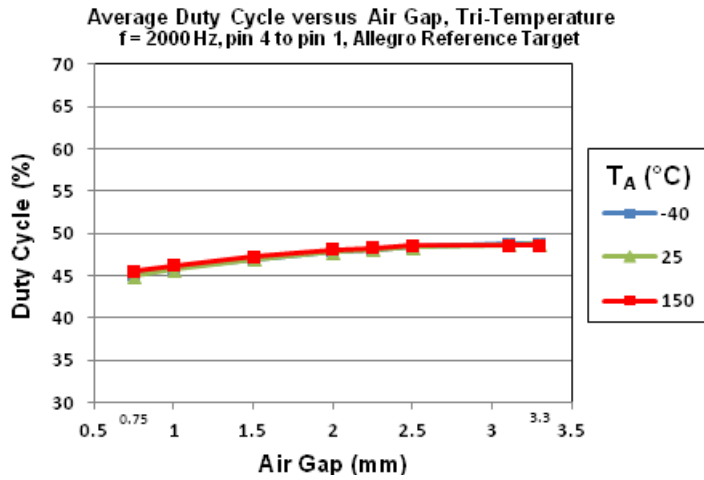
- At power-on (position 1), the ATS605 begins sampling  $V_{PROC}$ .
- At the point where the Start Mode Hysteresis,  $PO_{HYS}$ , is exceeded, the device establishes an initial switching threshold, by using the Continuous Update algorithm. If  $V_{PROC}$  is falling through the limit on the low side (position 2), the switchpoint is  $B_{RP}$ , and if  $V_{PROC}$  is rising through the limit on the high side (position 4), it is  $B_{OP}$ . After this point, Start Mode Hysteresis is no longer a consideration. Note that a valid  $V_{PROC}$  value exceeding the Start Mode Hysteresis can be generated either by a legitimate target feature or by excessive vibration.
- In either case, because the switchpoint is immediately passed as soon as it is established, the ATS605 enables switching:
  - If on the low side, at  $B_{RP}$  (position 2) the output would switch from low to high. However, because output is already high, no output switching occurs.
  - At the next switchpoint, where  $B_{OP}$  is passed (position 3), the output switches from high to low.
  - If on the high side, at  $B_{OP}$  (position 4) the output switches from high to low.

As this example demonstrates, initial output switching occurs with the same polarity, regardless of whether the Start Mode Hysteresis is exceeded on the high side or on the low side

Characteristic Performance



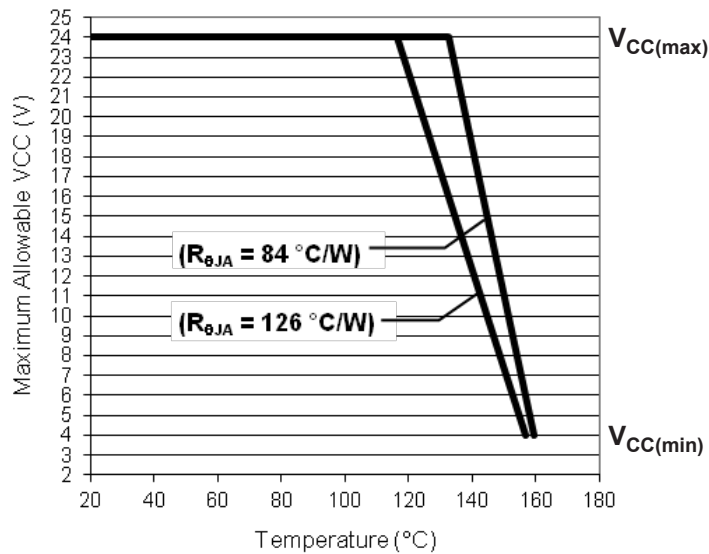
Characteristic Performance, continued



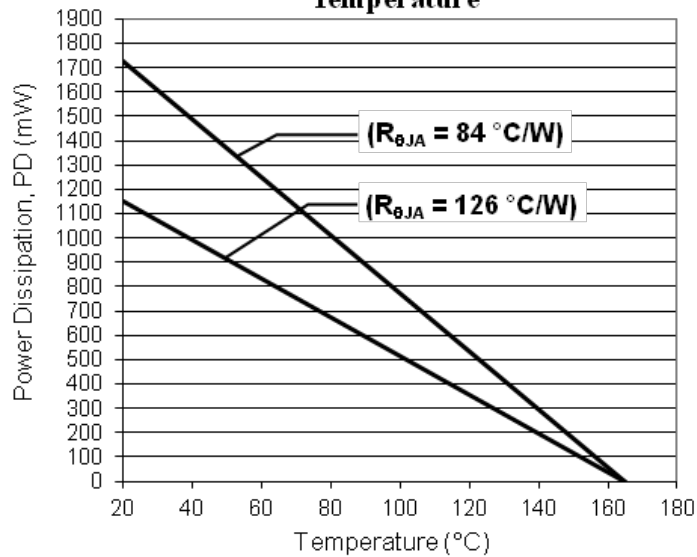
## Thermal Characteristics

Characteristic	Symbol	Test Conditions	Value	Unit
Package Thermal Resistance	$R_{\theta JA}$	Minimum-K PCB, single-layer, single-sided, with copper limited to solder pads)	126	$^{\circ}\text{C}/\text{W}$
		Low-K PCB, single-layer, single-sided with copper limited to solder pads and 3.57 in.2 (23.03 cm <sup>2</sup> ) of copper area each side	84	$^{\circ}\text{C}/\text{W}$

**Power Derating Curve**



**Power Dissipation versus Ambient Temperature**





## Power Derating

The device must be operated below the maximum junction temperature of the device,  $T_{J(max)}$ . Under certain combinations of peak conditions, reliable operation may require derating supplied power or improving the heat dissipation properties of the application. This section presents a procedure for correlating factors affecting operating  $T_J$ . (Thermal data is also available on the Allegro MicroSystems Web site.)

The Package Thermal Resistance,  $R_{\theta JA}$ , is a figure of merit summarizing the ability of the application and the device to dissipate heat from the junction (die), through all paths to the ambient air. Its primary component is the Effective Thermal Conductivity,  $K$ , of the printed circuit board, including adjacent devices and traces. Radiation from the die through the device case,  $R_{\theta JC}$ , is relatively small component of  $R_{\theta JA}$ . Ambient air temperature,  $T_A$ , and air motion are significant external factors, damped by overmolding.

The effect of varying power levels (Power Dissipation,  $P_D$ ), can be estimated. The following formulas represent the fundamental relationships used to estimate  $T_J$ , at  $P_D$ .

$$P_D = V_{IN} \times I_{IN}$$

$$\Delta T = P_D \times R_{\theta JA}$$

$$T_J = T_A + \Delta T$$

For example, given common conditions such as:

$T_A = 25^\circ\text{C}$ ,  $V_{CC} = 12\text{ V}$ ,  $R_{\theta JA} = 126^\circ\text{C/W}$ , and

$I_{CC} = 8.5\text{ mA}$ , then:

$$P_D = V_{CC} \times I_{CC} = 12\text{ V} \times 8.5\text{ mA} = 102\text{ mW}$$

$$\Delta T = P_D \times R_{\theta JA} = 102\text{ mW} \times 126^\circ\text{C/W} = 12.9^\circ\text{C}$$

$$T_J = T_A + \Delta T = 25^\circ\text{C} + 12.9^\circ\text{C} = 37.9^\circ\text{C}$$

A worst-case estimate,  $P_{D(max)}$ , represents the maximum allowable power level ( $V_{CC(max)}$ ,  $I_{CC(max)}$ ), without exceeding  $T_{J(max)}$ , at a selected  $R_{\theta JA}$  and  $T_A$ .

Example: Reliability for  $V_{CC}$  at  $T_A = 150^\circ\text{C}$ , package SG, using single-layer PCB.

Observe the worst-case ratings for the device, specifically:

$R_{\theta JA} = 126^\circ\text{C/W}$ ,  $T_{J(max)} = 165^\circ\text{C}$ ,  $V_{CC(max)} = 24\text{ V}$ , and

$I_{CC} = 13\text{ mA}$ .

Calculate the maximum allowable power level,  $P_{D(max)}$ . First, invert equation 3:

$$\Delta T_{max} = T_{J(max)} - T_A = 165^\circ\text{C} - 150^\circ\text{C} = 15^\circ\text{C}$$

This provides the allowable increase to  $T_J$  resulting from internal power dissipation. Then, invert equation 2:

$$P_{D(max)} = \Delta T_{max} \div R_{\theta JA} = 15^\circ\text{C} \div 126^\circ\text{C/W} = 119\text{ mW}$$

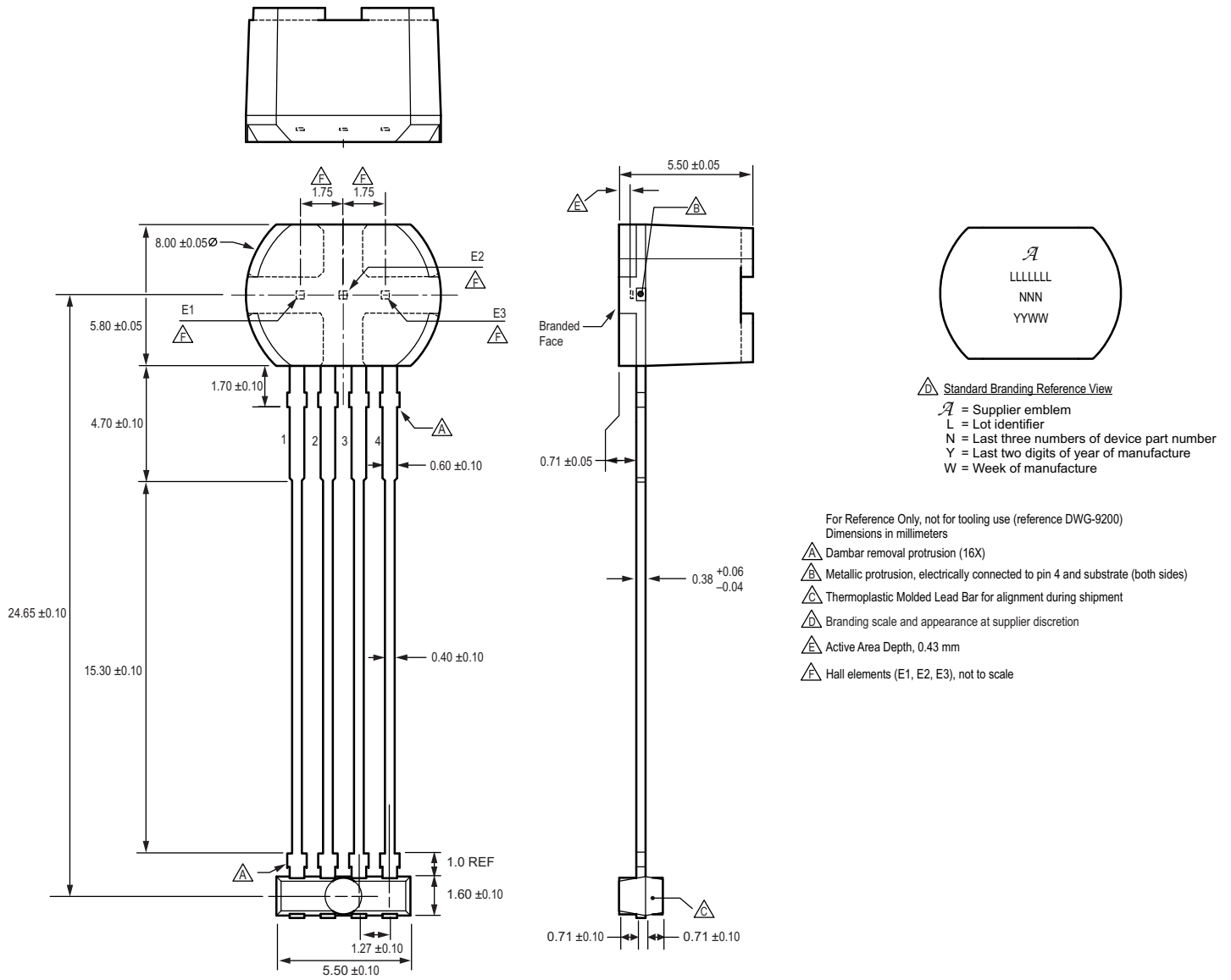
Finally, invert equation 1 with respect to voltage:

$$(1) \quad V_{CC(est)} = P_{D(max)} \div I_{CC(max)} = 119\text{ mW} \div 13\text{ mA} = 9.2\text{ V}$$

- (2) The result indicates that, at  $T_A$ , the application and device can dissipate adequate amounts of heat at voltages  $\leq V_{CC(est)}$ .
- (3)

Compare  $V_{CC(est)}$  to  $V_{CC(max)}$ . If  $V_{CC(est)} \leq V_{CC(max)}$ , then reliable operation between  $V_{CC(est)}$  and  $V_{CC(max)}$  requires enhanced  $R_{\theta JA}$ . If  $V_{CC(est)} \geq V_{CC(max)}$ , then operation between  $V_{CC(est)}$  and  $V_{CC(max)}$  is reliable under these conditions.

## Package SG, 4-Pin SIP



Copyright ©2014, Allegro MicroSystems, LLC

Allegro MicroSystems, LLC reserves the right to make, from time to time, such departures from the detail specifications as may be required to permit improvements in the performance, reliability, or manufacturability of its products. Before placing an order, the user is cautioned to verify that the information being relied upon is current.

Allegro's products are not to be used in any devices or systems, including but not limited to life support devices or systems, in which a failure of Allegro's product can reasonably be expected to cause bodily harm.

The information included herein is believed to be accurate and reliable. However, Allegro MicroSystems, LLC assumes no responsibility for its use; nor for any infringement of patents or other rights of third parties which may result from its use.