

## 阅读申明

- 1.本站收集的数据手册和产品资料都来自互联网，版权归原作者所有。如读者和版权方有任何异议请及时告之，我们将妥善解决。
- 2.本站提供的中文数据手册是英文数据手册的中文翻译，其目的是协助用户阅读，该译文无法自动跟随原稿更新，同时也可能存在翻译上的不当。建议读者以英文原稿为参考以便获得更精准的信息。
- 3.本站提供的产品资料，来自厂商的技术支持或者使用者的心得体会等，其内容可能存在描述上的差异，建议读者做出适当判断。
- 4.如需与我们联系，请发邮件到marketing@iczoom.com，主题请标有“数据手册”字样。

## Read Statement

1. The datasheets and other product information on the site are all from network reference or other public materials, and the copyright belongs to the original author and original published source. If readers and copyright owners have any objections, please contact us and we will deal with it in a timely manner.
2. The Chinese datasheets provided on the website is a Chinese translation of the English datasheets. Its purpose is for reader's learning exchange only and do not involve commercial purposes. The translation cannot be automatically updated with the original manuscript, and there may also be improper translations. Readers are advised to use the English manuscript as a reference for more accurate information.
3. All product information provided on the website refer to solutions from manufacturers' technical support or users the contents may have differences in description, and readers are advised to take the original article as the standard.
4. If you have any questions, please contact us at marketing@iczoom.com and mark the subject with "Datasheets" .

# PNA4611M Series (PNA4611M/4612M/4613M/4614M/4620M)

Bipolar Integrated Circuit with Photodetection Function

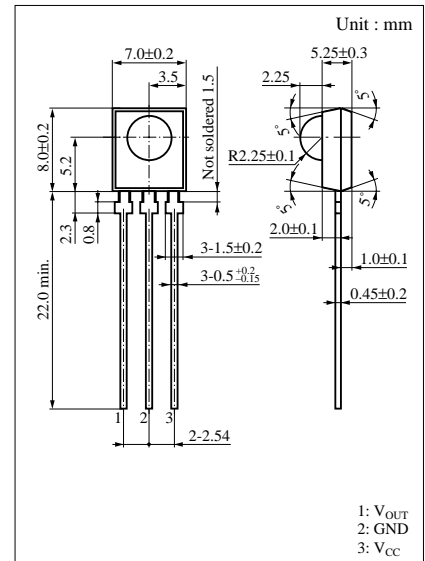
For infrared remote control systems

## ■ Features

- High sensitivity (extension distance is 11 m or more)
- External parts not required
- Resin to cutoff visible light is used
- Supports various metal holders with improved electromagnetic noise resistance

## ■ Absolute Maximum Ratings (Ta = 25°C)

Parameter	Symbol	Ratings	Unit
Power supply voltage	V <sub>CC</sub>	-0.5 to +7	V
Power dissipation	P <sub>D</sub>	200	mW
Operating ambient temperature	T <sub>opr</sub>	-20 to +75	°C
Storage temperature	T <sub>stg</sub>	-40 to +100	°C



## ■ Main Characteristics (Ta = 25°C V<sub>CC</sub> = 5V)

Parameter	Symbol	Conditions	min	typ	max	Unit
Operating supply voltage	V <sub>CC</sub>		4.7	5.0	5.3	V
Current consumption	I <sub>CC</sub>	Note 3	1.8	2.4	3.0	mA
Maximum reception distance	L <sub>max</sub>	Note 1	11	16		m
Low-level output voltage	V <sub>OL</sub>	Note 2		0.35	0.5	V
High-level output voltage	V <sub>OH</sub>	Note 3	4.8	5.0	V <sub>CC</sub>	V
Low-level pulse width	T <sub>WL</sub>	Note 1	200	400	600	μs
High-level pulse width	T <sub>WH</sub>	Note 1	200	400	600	μs
Carrier frequency	PNA4611M	f <sub>0</sub>		36.7		kHz
	PNA4612M			38.0		
	PNA4613M			40.0		
	PNA4614M			56.9		
	PNA4620M			33.3		

Note 1) Fig.1 burst wave, L=L<sub>max</sub>, 16 pulses

Note 2) Fig.2 continuous wave, L ≤ L<sub>max</sub>

Note 3) Light shut off condition

Carrier wave : f<sub>0</sub>

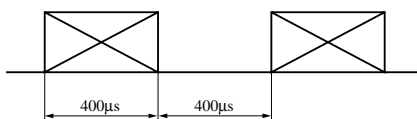


Fig.1

Carrier wave : f<sub>0</sub>

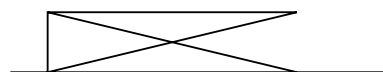
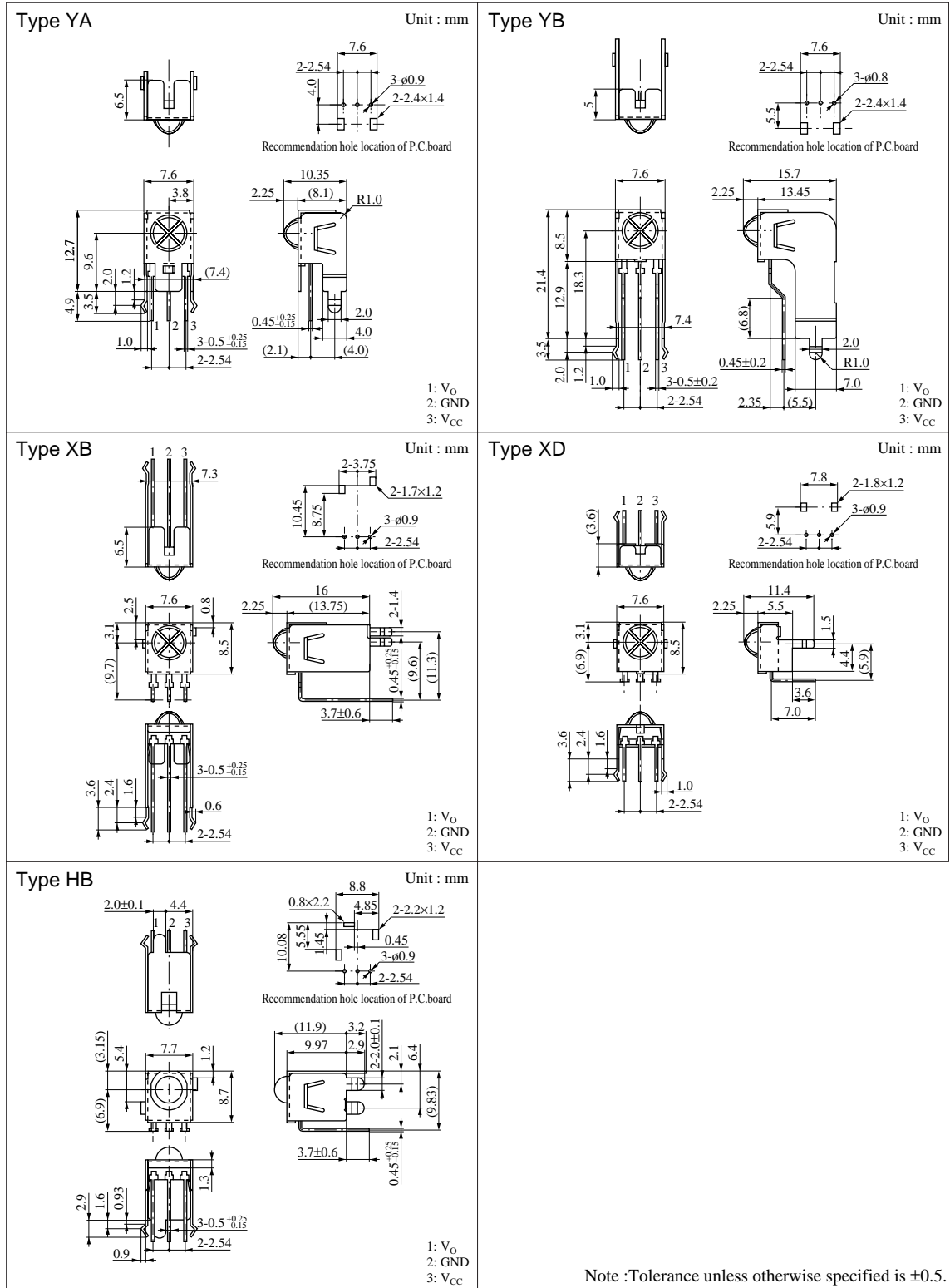
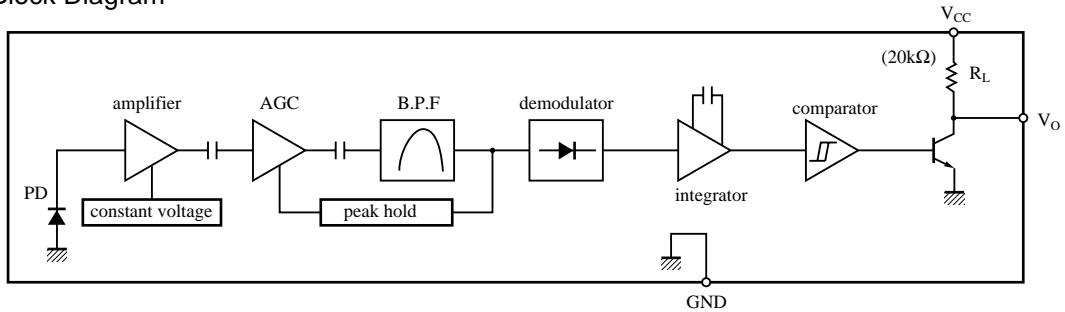


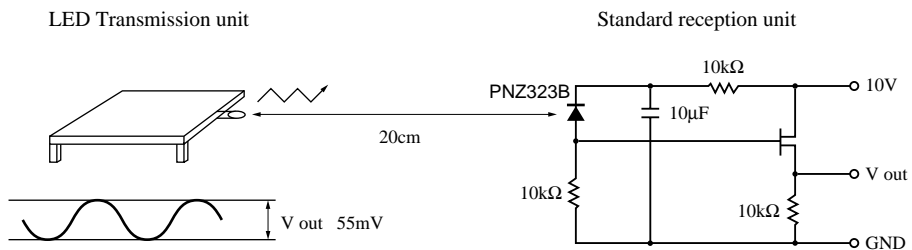
Fig.2



■ Block Diagram

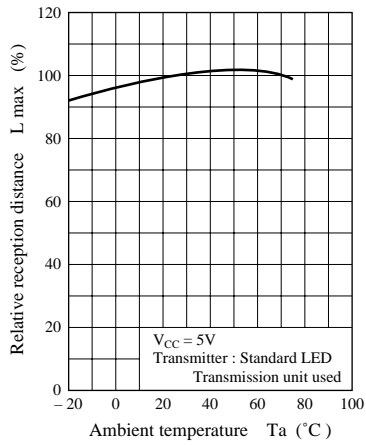


■ Panasonic Transmitter Specifications

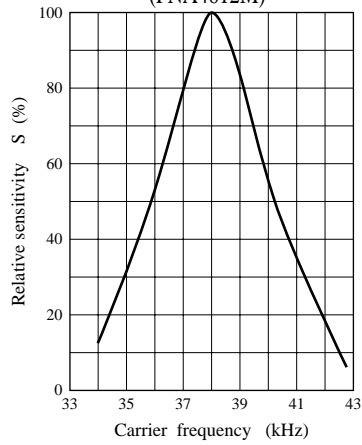


- The light output of the LED transmission unit is adjusted so that the transmission output (V out) of the standard reception unit will be 55 mV when the transmission waveform (duty = 50%) is output from the LED transmission unit. Here, infrared sensitivity (SIR) of PNZ323B is 0.53  $\mu\text{A}$  when emission illuminance (H) is 12.45  $\mu\text{W}/\text{cm}^2$ .
- The maximum reception distance under these specifications is an assurance that  $T_{WH}$  and  $T_{WL}$  values will be within the tolerance ranges when 16 consecutive pulses of an optical output equivalent to the maximum reception distance are transmitted by the above transmission unit (The maximum reception distance is measured in the dark without external disturbance noise.)

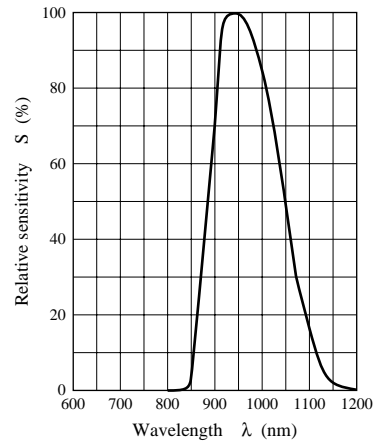
L max — Ta



B.P.F frequency characteristics (PNA4612M)\*

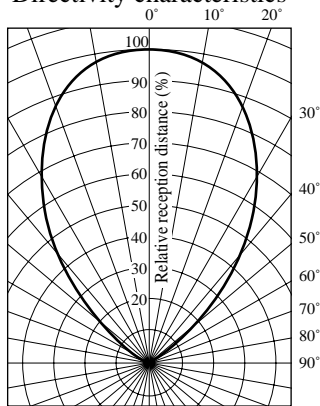


Spectral sensitivity characteristics



\* The peaks for PNA4611M, PNA4613M, PNA4614M, and PNA4620M are all at  $f_0$ .

Directivity characteristics



## Request for your special attention and precautions in using the technical information and semiconductors described in this material

- (1) An export permit needs to be obtained from the competent authorities of the Japanese Government if any of the products or technologies described in this material and controlled under the "Foreign Exchange and Foreign Trade Law" is to be exported or taken out of Japan.
- (2) The technical information described in this material is limited to showing representative characteristics and applied circuit examples of the products. It does not constitute the warranting of industrial property, the granting of relative rights, or the granting of any license.
- (3) The products described in this material are intended to be used for standard applications or general electronic equipment (such as office equipment, communications equipment, measuring instruments and household appliances).  
Consult our sales staff in advance for information on the following applications:
  - Special applications (such as for airplanes, aerospace, automobiles, traffic control equipment, combustion equipment, life support systems and safety devices) in which exceptional quality and reliability are required, or if the failure or malfunction of the products may directly jeopardize life or harm the human body.
  - Any applications other than the standard applications intended.
- (4) The products and product specifications described in this material are subject to change without notice for reasons of modification and/or improvement. At the final stage of your design, purchasing, or use of the products, therefore, ask for the most up-to-date Product Standards in advance to make sure that the latest specifications satisfy your requirements.
- (5) When designing your equipment, comply with the guaranteed values, in particular those of maximum rating, the range of operating power supply voltage and heat radiation characteristics. Otherwise, we will not be liable for any defect which may arise later in your equipment.  
Even when the products are used within the guaranteed values, redundant design is recommended, so that such equipment may not violate relevant laws or regulations because of the function of our products.
- (6) When using products for which dry packing is required, observe the conditions (including shelf life and after-unpacking standby time) agreed upon when specification sheets are individually exchanged.
- (7) No part of this material may be reprinted or reproduced by any means without written permission from our company.

## Please read the following notes before using the datasheets

- A. These materials are intended as a reference to assist customers with the selection of Panasonic semiconductor products best suited to their applications.  
Due to modification or other reasons, any information contained in this material, such as available product types, technical data, and so on, is subject to change without notice.  
Customers are advised to contact our semiconductor sales office and obtain the latest information before starting precise technical research and/or purchasing activities.
- B. Panasonic is endeavoring to continually improve the quality and reliability of these materials but there is always the possibility that further rectifications will be required in the future. Therefore, Panasonic will not assume any liability for any damages arising from any errors etc. that may appear in this material.
- C. These materials are solely intended for a customer's individual use.  
Therefore, without the prior written approval of Panasonic, any other use such as reproducing, selling, or distributing this material to a third party, via the Internet or in any other way, is prohibited.