

阅读申明

- 1.本站收集的数据手册和产品资料都来自互联网，版权归原作者所有。如读者和版权方有任何异议请及时告之，我们将妥善解决。
- 2.本站提供的中文数据手册是英文数据手册的中文翻译，其目的是协助用户阅读，该译文无法自动跟随原稿更新，同时也可能存在翻译上的不当。建议读者以英文原稿为参考以便获得更精准的信息。
- 3.本站提供的产品资料，来自厂商的技术支持或者使用者的心得体会等，其内容可能存在描述上的差异，建议读者做出适当判断。
- 4.如需与我们联系，请发邮件到marketing@iczoom.com，主题请标有“数据手册”字样。

Read Statement

1. The datasheets and other product information on the site are all from network reference or other public materials, and the copyright belongs to the original author and original published source. If readers and copyright owners have any objections, please contact us and we will deal with it in a timely manner.
2. The Chinese datasheets provided on the website is a Chinese translation of the English datasheets. Its purpose is for reader's learning exchange only and do not involve commercial purposes. The translation cannot be automatically updated with the original manuscript, and there may also be improper translations. Readers are advised to use the English manuscript as a reference for more accurate information.
3. All product information provided on the website refer to solutions from manufacturers' technical support or users the contents may have differences in description, and readers are advised to take the original article as the standard.
4. If you have any questions, please contact us at marketing@iczoom.com and mark the subject with "Datasheets" .

Compact Sensor Offers Long Sensing Distance and Superior Noise-Immunity

- Photo-IC provides long sensing distance: 15 m for through-beam, 4 m for retroreflective, and 1 m for diffuse
- Integrated Photo-IC improves noise immunity to interference from inverters and other inductive loads
- New injection molding technology assures IP67 rating to withstand water and dust
- Switch-selectable, Light-ON/Dark-ON operation
- M8 connector-ready and 2-m, pre-wired models
- NPN or PNP output models available



Ordering Information

■ SENSORS

| Sensing method | Light source | Appearance | Connection method | Sensing distance | Part number | |
|---------------------------|--------------|------------|-------------------|---|----------------|----------------|
| | | | | | NPN output | PNP output |
| Through-beam | IR | | Pre-wired | 15 m | E3Z-T61 | E3Z-T81 |
| | | | Connector | | E3Z-T66 | E3Z-T86 |
| Polarized retroreflective | RED | | Pre-wired | 100 mm to 4 m 100 mm to 3 m (See Note 2.) | E3Z-R61 | E3Z-R81 |
| | | | Connector | | E3Z-R66 | E3Z-R86 |
| Diffuse reflective | IR | | Pre-wired | 5 to 100 mm (wide view) | E3Z-D61 | E3Z-D81 |
| | | | Connector | | E3Z-D66 | E3Z-D86 |
| | | | Pre-wired | 1 m | E3Z-D62 | E3Z-D82 |
| | | | Connector | | E3Z-D67 | E3Z-D87 |

Note: 1. The Reflector is sold separately. Select the Reflector model most suited to the application.

2. Sensing distance can be extended to 4 meters when the E39-R1S reflector is used. The sensing distance is 3 meters when the E39-R1 reflector is used.

■ ACCESSORIES (ORDER SEPARATELY)

Slit for Through-beam Models (E3Z-T□□)

Order a slit for each emitter and receiver.




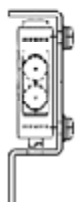
| Slit width | Sensing distance (typical) | Minimum sensing object (typical) | Part number |
|-------------|----------------------------|----------------------------------|-----------------|
| 0.5 mm dia. | 50 mm | 0.5 mm dia. | E39-S65A |
| 1 mm dia. | 200 mm | 1 mm dia. | E39-S65B |
| 2 mm dia. | 800 mm | 2 mm dia. | E39-S65C |
| 0.5 × 10 mm | 1 m | 0.7 mm dia. | E39-S65D |
| 1 × 10 mm | 2.2 m | 1.2 mm dia. | E39-S65E |
| 2 × 10 mm | 5 m | 2.4 mm dia. | E39-S65F |

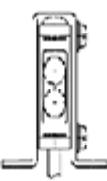
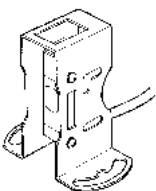
Reflectors for Retroreflective Models

| Name | Sensing distance (typical) | Part number |
|---------------------|----------------------------|----------------|
| Reflector | 100 mm to 3 m | E39-R1 |
| | 100 mm to 4 m | E39-R1S |
| | 100 mm to 5 m | E39-R2 |
| | 100 mm to 2.5 m | E39-R9 |
| | 100 mm to 3.5 m | E39-R10 |
| Miniature Reflector | 50 mm to 1.5 m | E39-R3 |
| Tape Reflector | 150 mm to 700 mm | E39-RS1 |
| | 150 mm to 1.1 m | E39-RS2 |
| | 150 mm to 1.4 m | E39-RS3 |

Note: The actual sensing distance may be reduced to approximately 70% of the typical sensing distance when using a Reflector other than the E39-R1 or the E39-R1S.

■ MOUNTING BRACKETS

| Appearance | Description | Part number |
|---|---|-----------------|
|  | L-bracket, horizontal | E39-L104 |
|  | L-bracket, vertical | E39-L44 |
|  | Open top, 20° angle adjustability | E39-L43 |
|  | Protected top 5° angle adjustability | E39-L144 |

| Appearance | Description | Part number |
|--|--|-----------------|
|  | Compact vertical protective cover bracket | E39-L142 |
|  | Vertical protective cover bracket | E39-L98 |
| | | |

Note: If a through-beam model is used, order two Mounting Brackets — one for the emitter and one for the receiver.

M8 Connectors

| Appearance | Cable type | | Part number |
|-------------|----------------|----------------|-----------------|
| Straight | 2 m (6.56 ft) | Four-wire type | XS3F-M421-402-A |
| | 5 m (16.40 ft) | | XS3F-M421-405-A |
| Right angle | 2 m (6.56 ft) | | XS3F-M422-402-A |
| | 5 m (16.40 ft) | | XS3F-M422-405-A |

Specifications

| Item | Sensing method | Through-beam | Polarized retroreflective | Diffuse reflective | |
|---|-----------------------|--|---|--|---------------------------------------|
| | | E3Z-T61/T66 | E3Z-R61/R66 | E3Z-D61/D66 | E3Z-D62/D67 |
| | | E3Z-T81/T86 | E3Z-R81/R86 | E3Z-D81/D86 | E3Z-D82/D87 |
| Sensing distance | | 15 m | 100 mm (4 m Note 1) (when using E39-R1S) 100 mm (3 m Note 2) (when using E39-R1) | White paper (100 × 100 mm): 100 mm | White paper (300 × 300 mm): 1 m |
| Standard sensing object | | Opaque: 12 mm (dia. min.) | Opaque: 75 mm (dia. min.) | --- | |
| Hysteresis | | --- | | 20% max. of setting distance | |
| Directional angle | | Both emitter and receiver: 3 to 15° | 2 to 10° | --- | |
| Light source (wave length) | | Infrared LED (860 nm) | Red LED (680 nm) | Infrared LED (860 nm) | |
| Power supply voltage | | 12 to 24 VDC ±10% including 10% (p-p) max. ripple | | | |
| Current consumption | | Emitter: 15 mA Receiver: 20 mA | 30 mA max. | | |
| Control output | | 100 mA max. at 26.4 VDC, open collector output (residual voltage: 1 V max.) L-ON/D-ON, switch selectable | | | |
| Circuit protection | | Load short-circuit and reversed power supply protection | Reversed power supply connection, output short-circuit, and mutual interference protection | | |
| Response time | | 1 ms max. | | | |
| Sensitivity adjustment | | One-turn potentiometer | | | |
| Ambient illumination (receiver side) | Incandescent lamp | 3,000 lux max. | | | |
| | Sunlight | 10,000 lux max. | | | |
| Ambient temperature | Operating | -25°C to 55°C (-13°F to 131°F) | | | |
| | Storage | -40°C to 70°C (-40°F to 158°F) with no icing or condensation | | | |
| Ambient humidity | Operating | 35% to 85% | | | |
| | Storage | 35% to 95% with no condensation | | | |
| Insulation resistance | | 20 MΩ min. at 500 VDC | | | |
| Dielectric strength | | 1,000 VAC, 50/60 Hz for 1 min | | | |
| Vibration resistance | | 10 to 55 Hz, 1.5-mm double amplitude or 300 m/s ² for 2 hours each in X, Y, and Z axes | | | |
| Shock resistance | Destruction | 500 m/s ² 3 times each in X, Y, and Z axes | | | |
| Enclosure rating | | IP67 (IEC60529) | | | |
| Approvals | | CE | | | |
| Connection method | | 2 m cable or M8 connector | | | |
| Indicator | | Operation indicator (orange) Stability indicator (green) Emitter has power indicator (orange) only | | | |
| Weight (packed state) | Pre-wired cable (2 m) | Approx. 120 g (4.2 oz) | Approx. 65 g (2.3 oz) | | |
| | Connector | Approx. 30 g (1.1 oz) | Approx. 20 g (0.7 oz) | | |
| Material | | Case: PBT (polybutylene terephthalate); Lens: Methacrylate resin | | | |
| Accessories | | Instruction manual (Order Reflector and Mounting Bracket separately.) | | | |

- Note:** 1. Sensing distance can be extended up to 4 meters when the E39-R1S reflector is used.
2. Sensing distance can be extended up to 3 meters when the E39-R1 reflector is used.

Nomenclature

Through-beam Models
E3Z-T6□ Receiver

Retroreflective Models
E3Z-R6□

Diffuse-reflective Models
E3Z-D6□



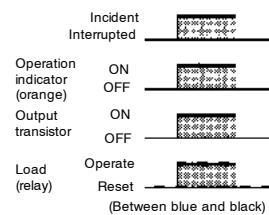
Operation

OUTPUT CIRCUITS

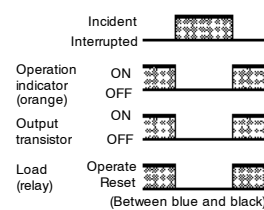
| | | |
|---------------------------|--|----------------------|
| Model | E3Z-T61/-T66/-R61/-R66/-D61/-D66/-D62/-D67 | |
| NPN output | Through-beam receiver Retroreflective model Diffuse reflective model | Through-beam emitter |
| | | |
| Model | E3Z-T81/-T86/-R86/-D81/-D86/-D82/-D87 | |
| PNP output | Through-beam receiver Retroreflective model Diffuse reflective model | Through-beam emitter |
| | | |
| Connector pin arrangement | | |

TIMING CHARTS

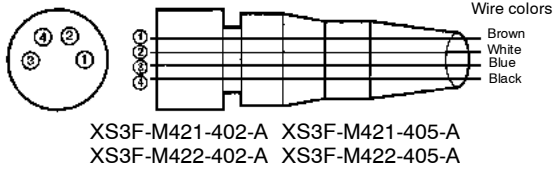
Light-ON (L-ON) Operation



Dark-ON (D-ON) Operation



CONNECTOR PIN-OUT



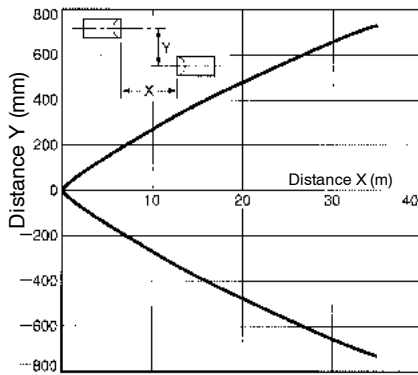
| Classification | Wire color | Connector pin No. | Use |
|----------------|------------|-------------------|--------------------|
| DC | Brown | A | Power supply (+V) |
| | White | B | Pin 2 is not used. |
| | Blue | C | Power supply (0 V) |
| | Black | D | Output |

Note: The through-beam emitter does not use pins 2 and 4.

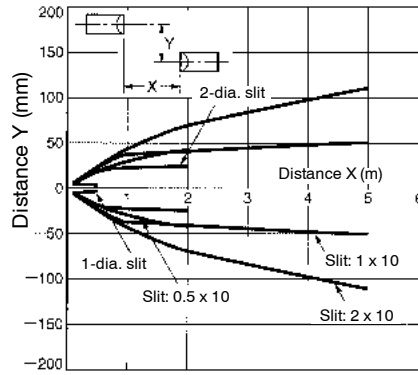
Engineering Data

PARALLEL OPERATING RANGE (TYPICAL)

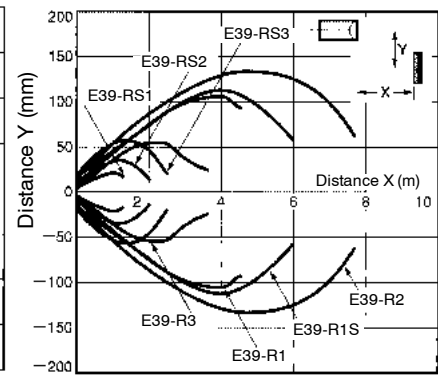
Through-beam Models
E3Z-T□1 (T□6)



Through-beam Models
E3Z-T□1 (T□6) and Slit

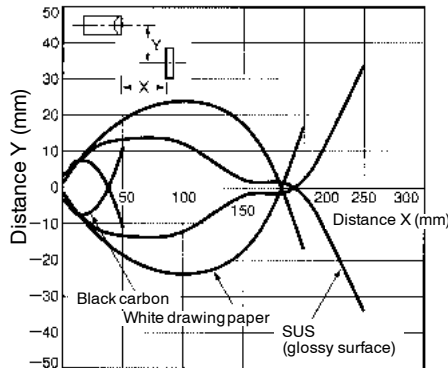


Retroreflective Models
E3Z-R□1 (R□6) and Reflector

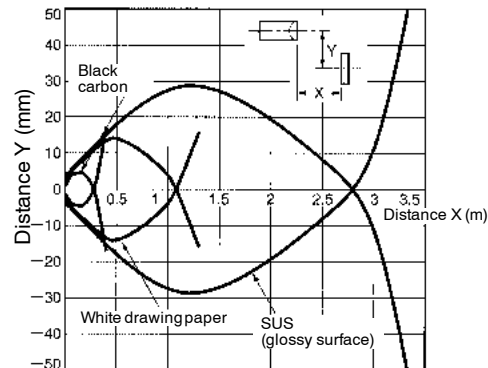


OPERATING RANGE (TYPICAL)

Diffuse Reflective Models
E3Z-D□1 (D□6)

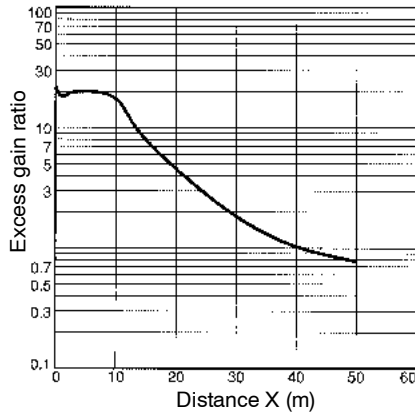


Diffuse Reflective Models
E3Z-D□2 (D□7)



■ EXCESS GAIN RATIO VS. DISTANCE (TYPICAL)

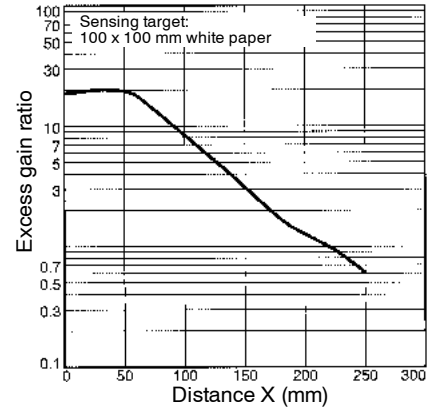
Through-beam Models
E3Z-T□1 (T□6)



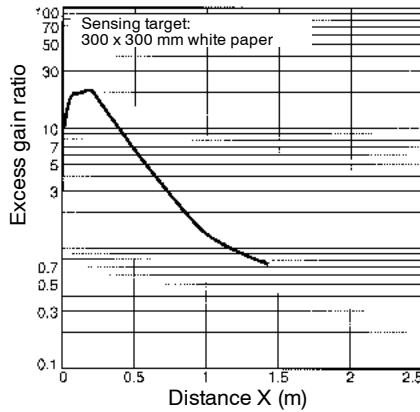
Retroreflective Models
E3Z-R□1 (R□6) and Reflector



Diffuse Reflective Models
E3Z-D□1 (D□6)

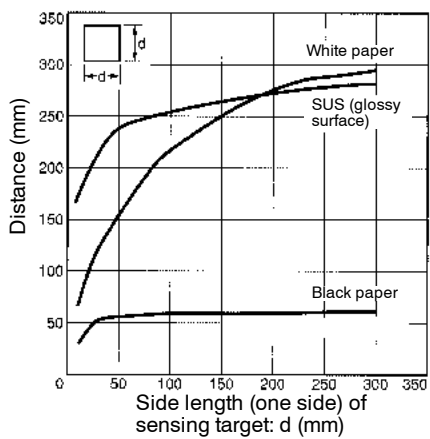


Diffuse Reflective Model
E3Z-D□2 (D□7)



Sensing Target Size vs. Sensing Distance (Typical)

Diffuse Reflective Models
E3Z-D□1 (D□6)



Diffuse Reflective Models
E3Z-D□2 (D□7)



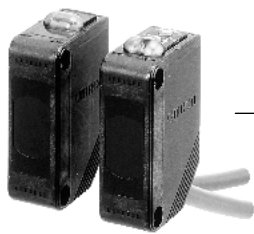
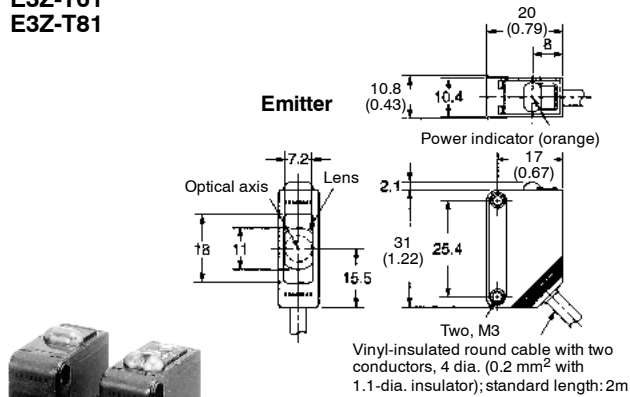
Dimensions

Unit: mm (inch)

SENSORS

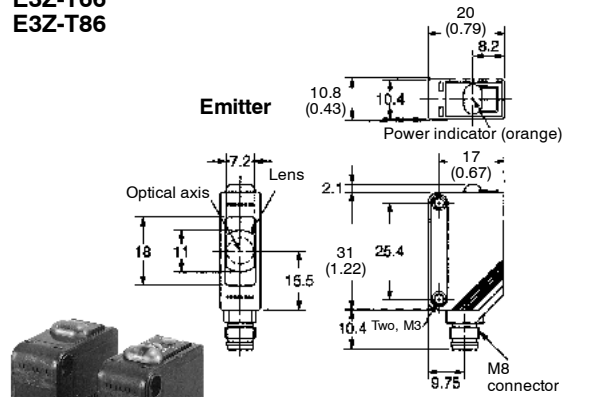
Through-beam (Pre-wired Models)

E3Z-T61
E3Z-T81



Through-beam (Connector Models)

E3Z-T66
E3Z-T86

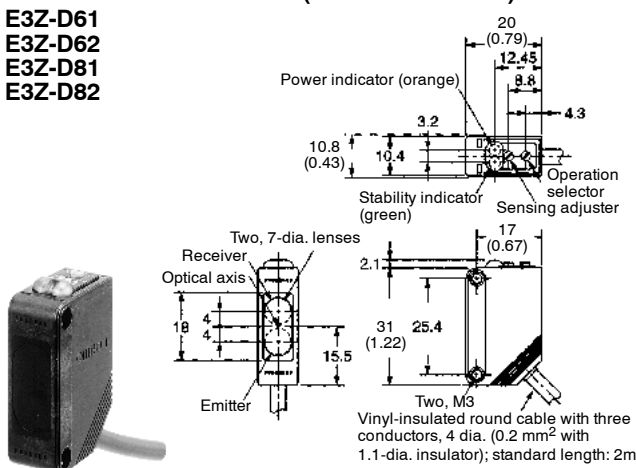


Retroreflective Models (Pre-wired Models)

E3Z-R61
E3Z-R81

Diffuse Reflective Models (Pre-wired Models)

E3Z-D61
E3Z-D62
E3Z-D81
E3Z-D82

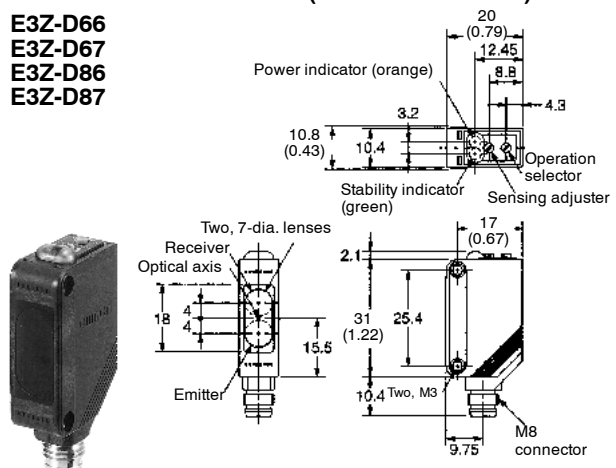


Retroreflective Models (Connector Models)

E3Z-R66
E3Z-R86

Diffuse Reflective Models (Connector Models)

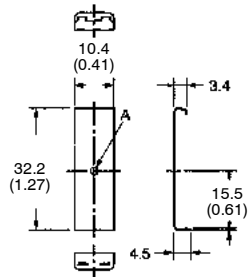
E3Z-D66
E3Z-D67
E3Z-D86
E3Z-D87



Unit: mm (inch)

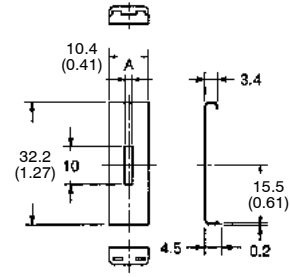
■ SLITS

E39-S65A
E39-S65B
E39-S65C



| Model | Side A | Material |
|----------|----------|------------------------|
| E39-S65A | 0.5 dia. | SUS301 stainless steel |
| E39-S65B | 1.0 dia. | |
| E39-S65C | 2.0 dia. | |

E39-S65D
E39-S65E
E39-S65F



| Model | Side A | Material |
|----------|--------|------------------------|
| E39-S65D | 0.5 | SUS301 stainless steel |
| E39-S65E | 1.0 | |
| E39-S65F | 2.0 | |

■ REFLECTORS

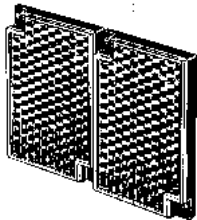
E39-R1
E39-R1S



Material
Surface: Acrylic resin
Backside: ABS resin



E39-R2



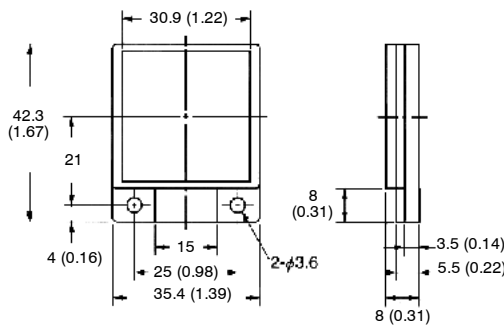
Material
Surface: Acrylic resin
Backside: ABS resin



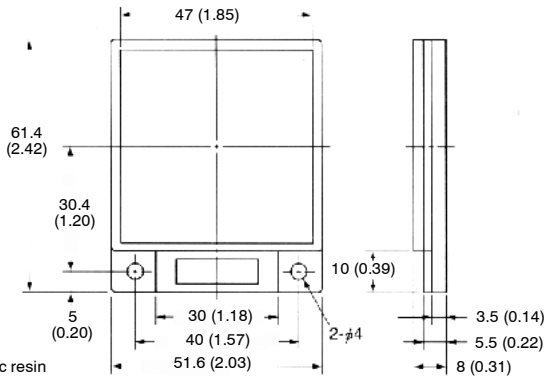
E39-R9



Material
Reflecting surface: Acrylic resin
Back: ABS resin



E39-R10



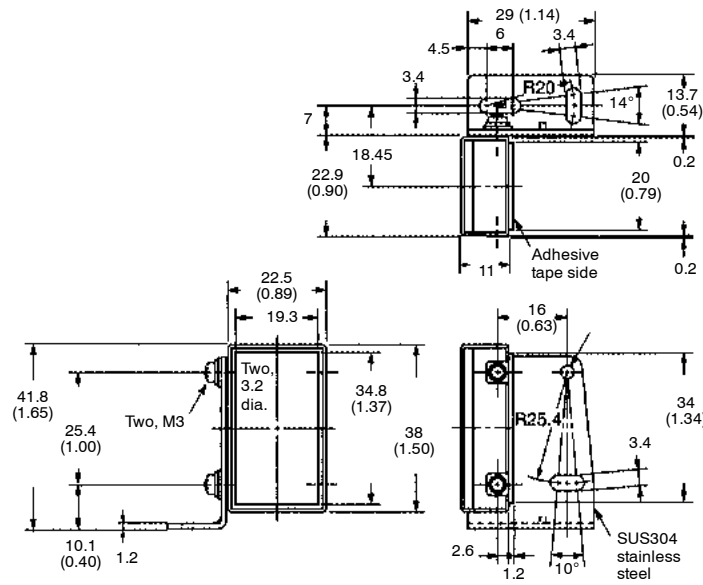
Material
 Reflecting surface: Acrylic resin
 Back: ABS resin

MINIATURE REFLECTOR

E39-R3



Material
 Surface: Acrylic resin
 Backside: ABS resin

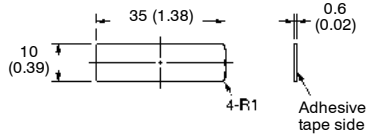


TAPE REFLECTORS

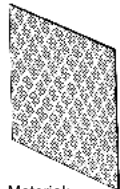
E39-RS1



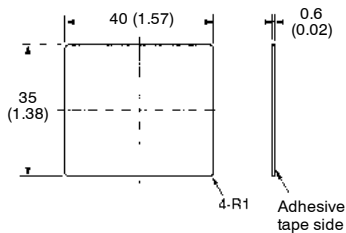
Material:
 Acrylic resin



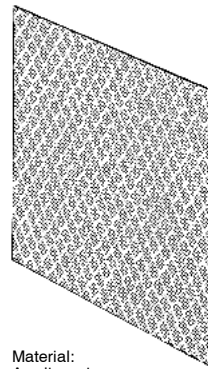
E39-RS2



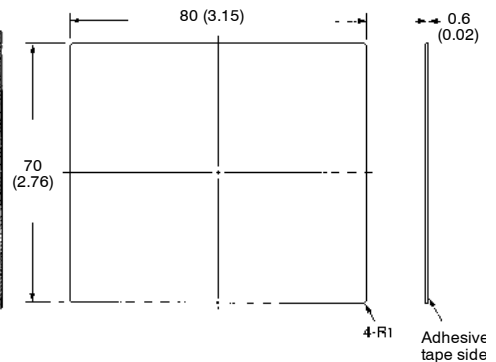
Material:
 Acrylic resin



E39-RS3



Material:
 Acrylic resin



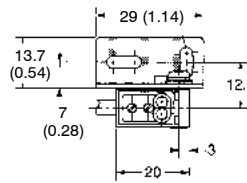
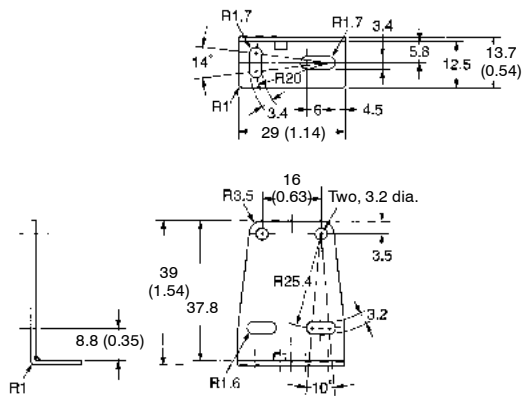
Unit: mm (inch)

■ MOUNTING BRACKETS

E39-L104



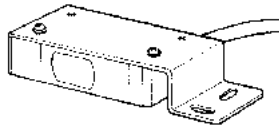
Material:
SUS304
stainless steel



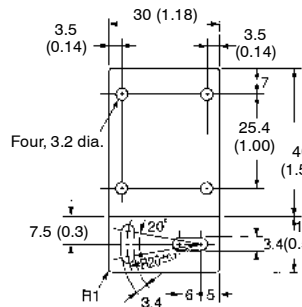
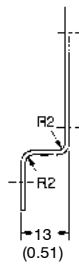
With Mounting Bracket
(E3Z-D62)



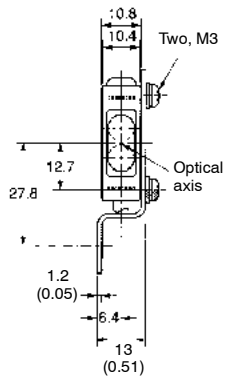
E39-L43



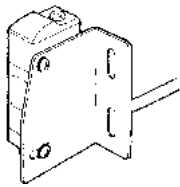
Material:
SUS304
stainless steel



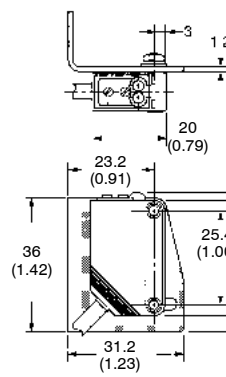
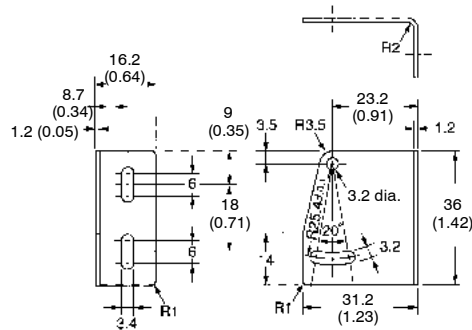
With Mounting Bracket
(E3Z-D62)



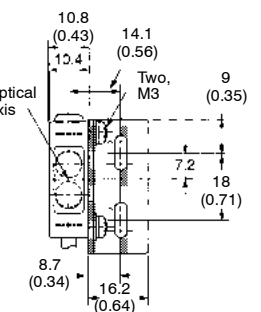
E39-L44



Material:
SUS304
stainless steel

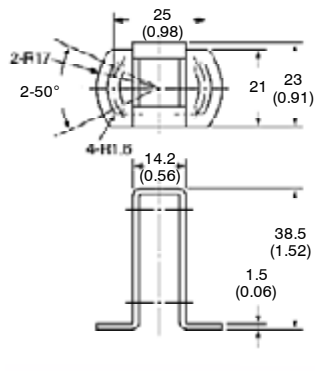


With Mounting Bracket
(E3Z-D62)

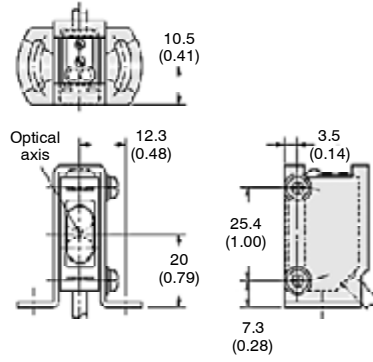


E39-L144

Material:
SUS304 stainless steel

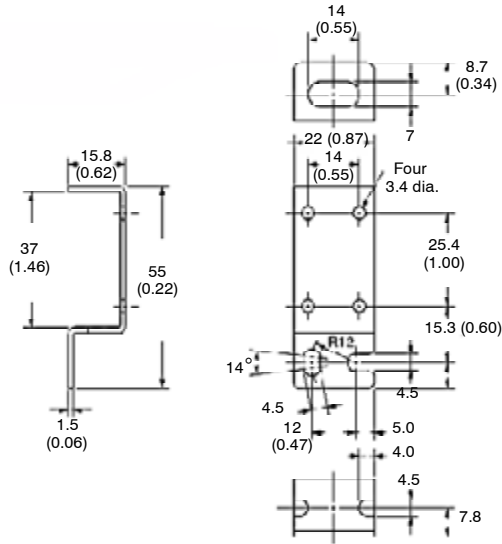


With Sensor
(Example: E3Z-L61)

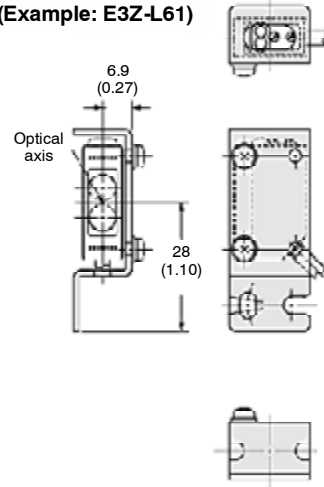


E39-L142

Material:
SUS304 stainless steel



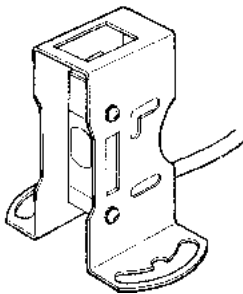
With Sensor
(Example: E3Z-L61)



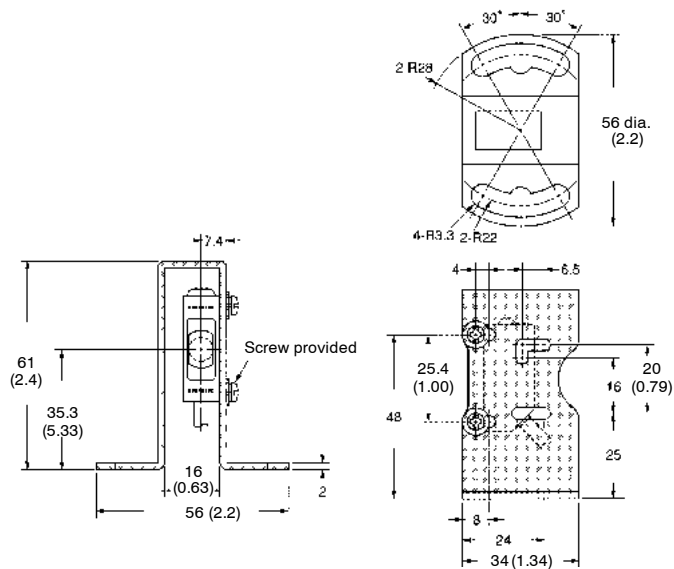
Unit: mm (inch)

E39-L93

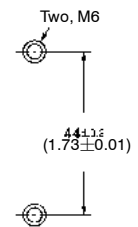
E39-L98



Material:
SUS304 stainless steel



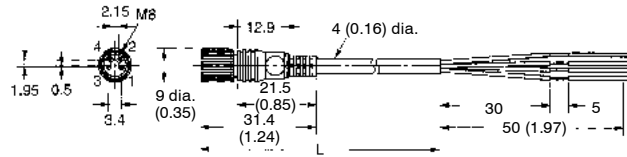
Mounting Holes



■ M8 CONNECTOR CORDSETS

Straight

XS3F-M421-402-A (L=2 m)
XS3F-M421-405-A (L=5 m)



Right Angle

XS3F-M422-402-A (L=2 m)
XS3F-M422-405-A (L=5 m)



Precautions

To ensure safe sensor operation, please follow the following precautions:

■ WIRING

Power Supply Voltage

Make sure that the power supply to the Sensor is within the rated voltage range.

Load Short-circuiting

Do not short-circuit the load, or the Sensor may be damaged.

Polarity

Correct polarity wiring is required to prevent damage to the sensor.

Connection Without Load

Do not connect power supply to the Sensor with no load connected, or the internal elements may explode or burn.

■ OPERATING ENVIRONMENT

Do not use the Sensor in locations with explosive or flammable gas.

■ SETTINGS

Power Reset Time

The Sensor is ready to operate 100 ms after the Sensor is turned ON. If the load and Sensor are connected to independent power supplies respectively, be sure to turn ON the Sensor before turning the load ON.

■ CONNECTIONS

M8 Metal Connector

- Turn off power before disconnecting the sensor.
- Remove the connector cover before connecting or disconnecting the metal connector.
- Secure the connector cover by hand. Do not use any pliers, or the connector may be damaged.
- The proper tightening torque range is between 0.3 and 0.4 N • m. Be sure to tighten the connector securely in order to maintain the the specified degree of protection and to keep the connector from loosening due to vibration.

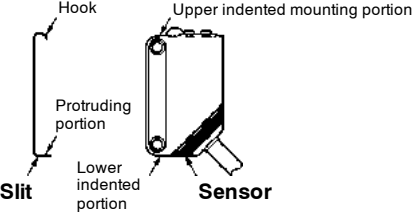
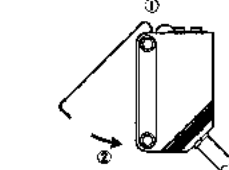
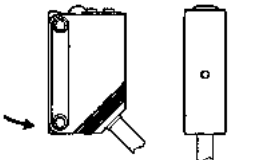
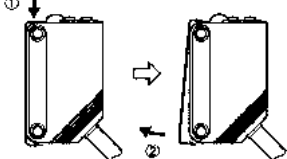
■ MOUNTING

Use M3 screws to mount the sensor and tighten each screw to a maximum torque of 0.53 N • m.



■ ADJUSTMENT

Slits for Through-beam Models (E39-S65A/B/C/D/E/F) Sold Separately

| | |
|---|---|
|  <p>Hook Upper indented mounting portion Protruding portion Lower indented portion Slit Sensor</p> | |
| <p>Mounting Method</p> <ol style="list-style-type: none"> Hook the upper protruding portion of the Slit to the upper indented mounting portion of the Sensor and adjust the position of the Slit so that the Slit will be in parallel to the lens side of the Sensor. Press the lower protruding portion of the Slit onto the indented mounting portion of the Sensor until the Slit snaps in. |  |
| <p>Mounting Condition</p> | <p>Side View Front View</p>  |
| <p>Removal Method</p> <ol style="list-style-type: none"> Press the upper portion of the Slit. Disconnect the lower protruding portion of the Slit from the Sensor and remove the Slit. |  |

NOTE: DIMENSIONS SHOWN ARE IN MILLIMETERS. To convert millimeters to inches divide by 25.4.

OMRON[®]
OMRON ELECTRONICS LLC
 One East Commerce Drive
 Schaumburg, IL 60173
1-800-55-OMRON

OMRON ON-LINE
 Global - <http://www.omron.com>
 USA - <http://www.omron.com/oei>
 Canada - <http://www.omron.com/oci>

OMRON CANADA, INC.
 885 Milner Avenue
 Scarborough, Ontario M1B 5V8
416-286-6465

NOTE: DIMENSIONS SHOWN ARE IN MILLIMETERS. To convert millimeters to inches divide by 25.4.

OMRON[®]

OMRON ELECTRONICS LLC

One East Commerce Drive
Schaumburg, IL 60173

1-800-55-OMRON

OMRON ON-LINE

Global - <http://www.omron.com>
USA - <http://www.omron.com/oei>
Canada - <http://www.omron.com/oci>

OMRON CANADA, INC.

885 Milner Avenue
Scarborough, Ontario M1B 5V8

416-286-6465