

阅读申明

- 1.本站收集的数据手册和产品资料都来自互联网，版权归原作者所有。如读者和版权方有任何异议请及时告之，我们将妥善解决。
- 2.本站提供的中文数据手册是英文数据手册的中文翻译，其目的是协助用户阅读，该译文无法自动跟随原稿更新，同时也可能存在翻译上的不当。建议读者以英文原稿为参考以便获得更精准的信息。
- 3.本站提供的产品资料，来自厂商的技术支持或者使用者的心得体会等，其内容可能存在描述上的差异，建议读者做出适当判断。
- 4.如需与我们联系，请发邮件到marketing@iczoom.com，主题请标有“数据手册”字样。

Read Statement

1. The datasheets and other product information on the site are all from network reference or other public materials, and the copyright belongs to the original author and original published source. If readers and copyright owners have any objections, please contact us and we will deal with it in a timely manner.
2. The Chinese datasheets provided on the website is a Chinese translation of the English datasheets. Its purpose is for reader's learning exchange only and do not involve commercial purposes. The translation cannot be automatically updated with the original manuscript, and there may also be improper translations. Readers are advised to use the English manuscript as a reference for more accurate information.
3. All product information provided on the website refer to solutions from manufacturers' technical support or users the contents may have differences in description, and readers are advised to take the original article as the standard.
4. If you have any questions, please contact us at marketing@iczoom.com and mark the subject with "Datasheets" .

EX SERIES

Amplifier Built-in Miniature-size Photoelectric Sensor

EQ-20

EQ-30

EX-40

RX

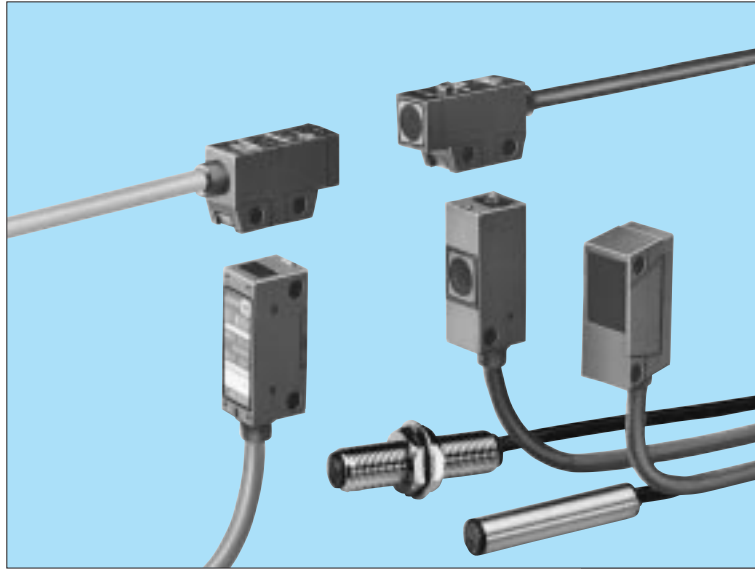
Amplifier Built-in Type

CY

EX

PX-2

RT-610



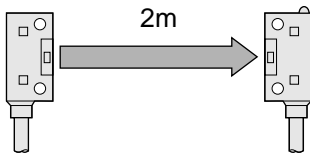
Amplifier Built-in Micro-size Type

CE Marked
Conforming to EMC Directive
(Excluding EX-D30S/D30M)

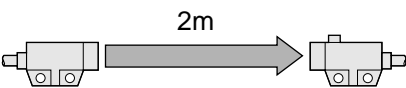
Remarkable Sensing Performance

Sufficient sensing range despite its micro-size.

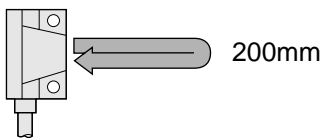
EX-M2E



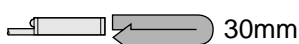
EX-M2



EX-D200E



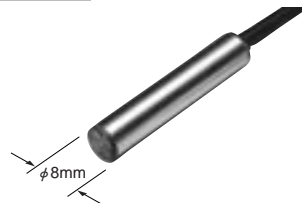
EX-D30S, EX-D30M



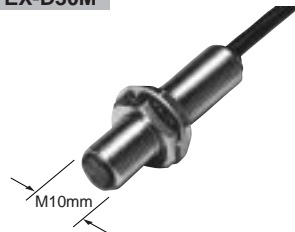
Micro-size

A micro-size, high performance, amplifier built-in sensor with strong noise resistance has been realized.

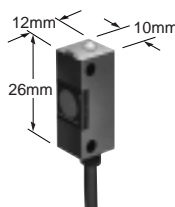
EX-D30S



EX-D30M



EX-M2E

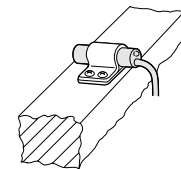


High-speed Response Time

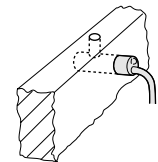
High-speed response time of 1/1,000 sec. makes it possible to reliably detect a moving object.

Versatile Mounting Cylindrical type

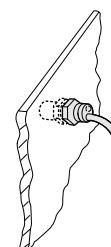
The cylindrical type sensor allows versatile mounting.



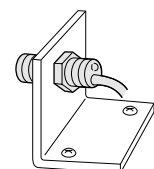
Fixed by the attached mounting bracket



Fixed by a set screw through a hole



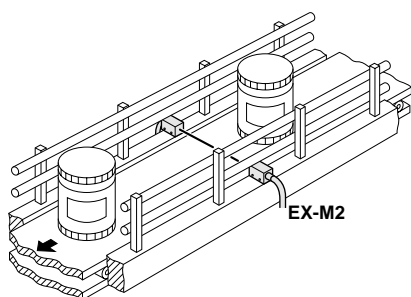
Fixed on an iron plate through a hole



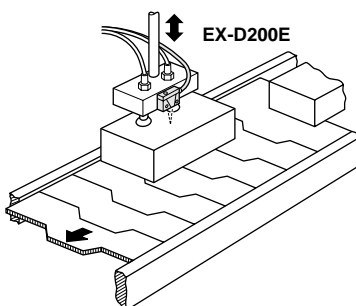
Mounting on a L bracket

APPLICATIONS

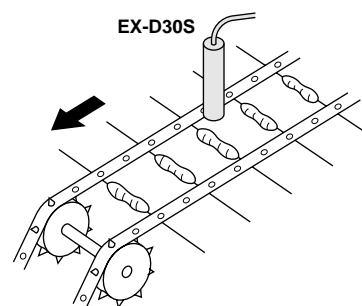
Counting of cans



Confirming chuck operation



Sensing taped components



ORDER GUIDE

Type	Appearance	Sensing range	Model No.	Sensitivity adjuster	Output operation
Thru-beam	Side sensing 	2m	EX-M2E	—	Selectable either Light-ON or Dark-ON by the control input
	Top sensing 		EX-M2		
Diffuse reflective	Side sensing 	200mm	EX-D200E	Incorporated	
	Cylindrical	30mm	Non-threaded type 	EX-D30S	
			Threaded type 	EX-D30M	

Amplifier Built-in Type

EQ-20

EQ-30

EX-40

RX

RX-LS200

CY

EX

PX-2

RT-610

OPTIONS

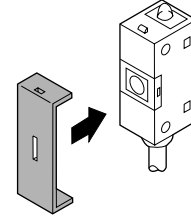
Designation	Model No.	Description
Slit mask (For EX-M2E only)	OS-EX-05 × 3E (Slit size 0.5 × 3mm)	Slit on one side • Sensing range: 0.5m • Min. sensing object: ϕ 7mm
		Slit on both sides • Sensing range: 0.1m • Min. sensing object: 0.5 × 3mm
	OS-EX-1 × 4E (Slit size 1 × 4mm)	Slit on one side • Sensing range: 1m • Min. sensing object: ϕ 7mm
		Slit on both sides • Sensing range: 0.4m • Min. sensing object: 1 × 4mm
	OS-EX-2 × 5E (Slit size 2 × 5mm)	Slit on one side • Sensing range: 1.5m • Min. sensing object: ϕ 7mm
		Slit on both sides • Sensing range: 1m • Min. sensing object: 2 × 5mm
Slit mask (For EX-M2 only)	OS-EX-05 × 2 (Slit size 0.5 × 2mm)	Slit on one side • Sensing range: 0.5m • Min. sensing object: ϕ 7mm
		Slit on both sides • Sensing range: 0.1m • Min. sensing object: 0.5 × 2mm
	OS-EX-1 × 3 (Slit size 1 × 3mm)	Slit on one side • Sensing range: 1m • Min. sensing object: ϕ 7mm
		Slit on both sides • Sensing range: 0.4m • Min. sensing object: 1 × 3mm
	OS-EX-2 × 4 (Slit size 2 × 4mm)	Slit on one side • Sensing range: 1.5m • Min. sensing object: ϕ 7mm
		Slit on both sides • Sensing range: 1m • Min. sensing object: 2 × 4mm
Sensor mounting bracket	MS-EX-3	Exclusive mounting bracket for EX-D30S
Sensor checker (Note)	CHX-SC2	It is useful for beam alignment of thru-beam type sensors. The optimum receiver position is given by indicators, as well as, an audio signal.

Note: Refer to P. 378~ for details of the sensor checker **CHX-SC2**.

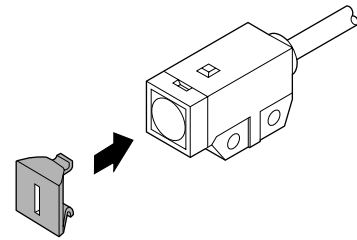
Slit mask

Fitted on the front lens with one-touch.

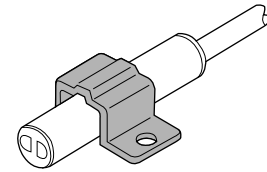
- For EX-M2E



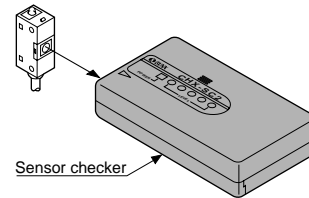
- For EX-M2



Sensor mounting bracket



Sensor checker



SPECIFICATIONS

Item	Model No.	Thru-beam		Diffuse reflective		
		Side sensing	Top sensing	Side sensing	Non-threaded type	Threaded type
		EX-M2E	EX-M2	EX-D200E	EX-D30S	EX-D30M
Sensing range		2m		200mm (Note 1)	30mm ± 15% (Note 1)	
Sensing object		φ 7mm or more opaque object (Note 2)		Opaque, translucent or transparent object	Opaque, translucent or transparent object (Min. sensing object: φ 0.7mm copper wire at a setting distance of 5mm)	
Hysteresis		_____		15% or less of operation distance	10% or less of operation distance	
Repeatability (perpendicular to sensing axis)		0.1mm or less	0.04mm or less	_____		
Supply voltage		12 to 24V DC ± 10% Ripple P-P 10% or less				
Current consumption		Emitter: 20mA or less, Receiver: 20mA or less		30mA or less	35mA or less	
Output		NPN open-collector transistor • Maximum sink current: 100mA • Applied voltage: 30V DC or less (between output and 0V) • Residual voltage: 1V or less (at 100mA sink current) 0.4V or less (at 16mA sink current)				
	Utilization category	DC-12 or DC-13			_____	
	Output operation	Selectable either Light-ON or Dark-ON by the control input			Light-ON	
	Short-circuit protection	Incorporated			_____	
Response time		1ms or less			Under light received condition: 1ms or less Under light interrupted condition: 1.5ms or less	
Operation indicator		Red LED (lights up when the output is ON)				
Sensitivity adjuster		_____		Continuously variable adjuster	_____	
Environmental resistance	Pollution degree	3 (Industrial environment)			_____	
	Protection	IP65 (IEC)			IP66 (IEC)	
	Ambient temperature	- 10 to + 60°C (No dew condensation or icing allowed), Storage: - 30 to + 70°C (EX-D30S and EX-D30M : - 10 to + 60°C)				
	Ambient humidity	35 to 85% RH, Storage: 35 to 85% RH				
	Ambient illuminance	Sunlight: 11,000 lx at the light-receiving face, Incandescent light: 3,500 lx at the light-receiving face				
	EMC	Emission: EN50081-2, Immunity: EN50082-2			_____	
	Voltage withstandability	1,000V AC for one min. between all supply terminals connected together and enclosure			600V AC for one min. between all supply terminals connected together and enclosure	
	Insulation resistance	20MΩ, or more, with 250V DC megger between all supply terminals connected together and enclosure			50MΩ, or more, with 500V DC megger between all supply terminals connected together and enclosure	
	Vibration resistance	10 to 55Hz frequency, 1.5mm amplitude in X, Y and Z directions for two hours each				
Shock resistance	100m/s ² acceleration (10G approx.) in X, Y and Z directions for three times each					
Emitting element		Infrared LED (modulated)				
Material		Enclosure: PBT (glass fiber reinforced) Lens: Polycarbonate			Enclosure: Stainless steel Resin part: Polycarbonate	Enclosure: Brass (Nickel plated) Resin part: Polycarbonate
Cable		0.14mm ² 4-core (thru-beam type emitter: 2-core) oil, heat and cold resistant cabtyre cable, 3m long			0.18mm ² 3-core cabtyre cable, 3m long	
Cable extension		Extension up to total 100m is possible with 0.3mm ² , or more, cable (thru-beam type: both emitter and receiver).				
Weight		Emitter: 60g approx. Receiver: 60g approx.	Emitter: 60g approx. Receiver: 65g approx.	65g approx.	65g approx.	70g approx. (including the nut and the washer)
Accessories		MS-EX-1E (Sensor mounting bracket): 2 sets	MS-EX-1 (Sensor mounting bracket): 2 sets	MS-EX-1E (Sensor mounting bracket): 1 set Adjusting screwdriver: 1 No. Adjuster cap: 1 No.	MS-SS8 (Sensor mounting bracket): 1 No.	Nut: 2 Nos. Toothed lock washer: 1 No.

Notes: 1) The sensing range of the diffuse reflective type sensor is specified for white non-glossy paper (**EX-D200E**: 200 × 200mm, **EX-D30S** and **EX-D30M**: 30 × 30mm) as the object.

2) If slit masks (optional) are fitted, an object of 0.5 × 3mm in case of **EX-M2E** and 0.5 × 2mm in case of **EX-M2** can be detected.

EQ-20

EQ-30

EX-40

RX

Amplifier Built-in Type

RX-LS200

CY

EX

PX-2

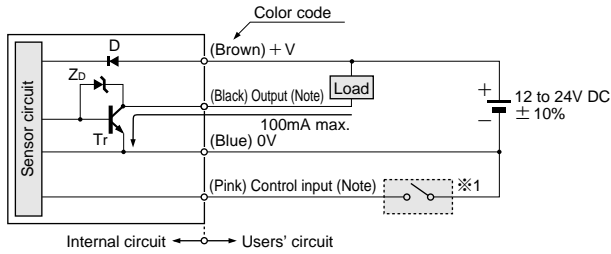
RT-610

EX

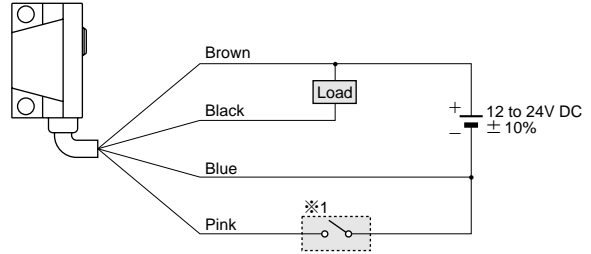
I/O CIRCUIT AND WIRING DIAGRAMS

EX-M2E EX-M2 EX-D200E

I/O circuit diagram



Wiring diagram



Note: The emitter of the thru-beam type sensor does not incorporate the output and the control input.

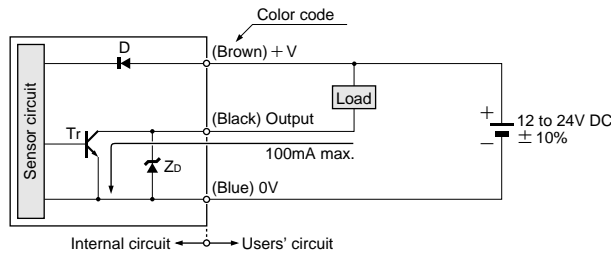
Symbols ... D: Reverse supply polarity protection diode
Zb: Surge absorption zener diode
Tr: NPN output transistor

※ Selecting output operation by control input (pink)

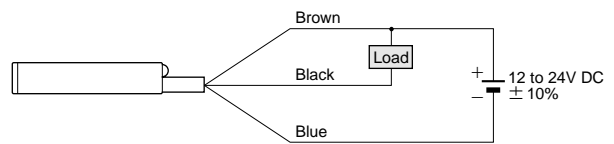
Connection	Model No.	EX-M2E	EX-M2	EX-D200E
Connected to 0V		Light-ON	Light-ON	Dark-ON
Connected to + V		Dark-ON	Dark-ON	Dark-ON
Open circuit		Dark-ON	Dark-ON	Light-ON

EX-D30S EX-D30M

I/O circuit diagram



Wiring diagram

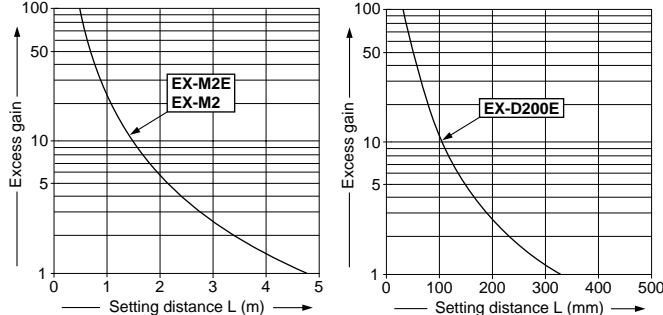


Symbols ... D: Reverse supply polarity protection diode
Zb: Surge absorption zener diode
Tr: NPN output transistor

SENSING CHARACTERISTICS (TYPICAL)

EX-M2E EX-M2 EX-D200E

Correlation between setting distance and excess gain

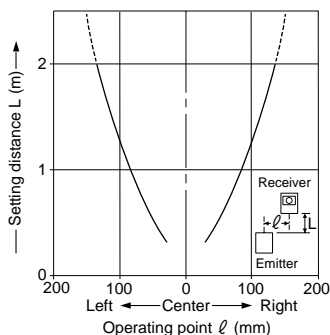


SENSING CHARACTERISTICS (TYPICAL)

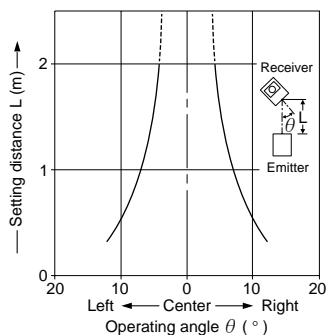
EX-M2E

Thru-beam type

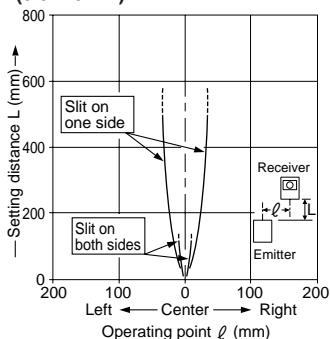
Parallel deviation



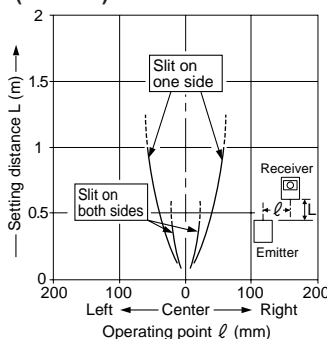
Angular deviation



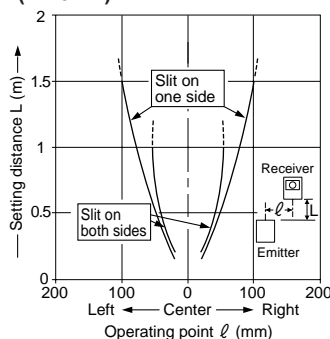
Parallel deviation with slit masks (0.5 X 3mm)



Parallel deviation with slit masks (1 X 4mm)



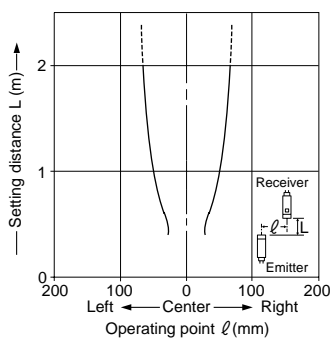
Parallel deviation with slit masks (2 X 5mm)



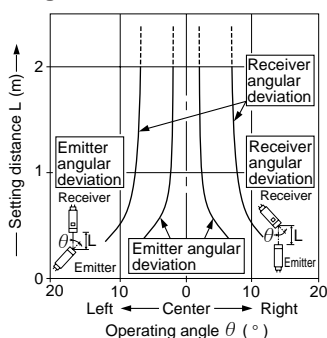
EX-M2

Thru-beam type

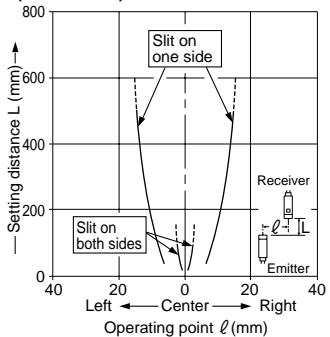
Parallel deviation



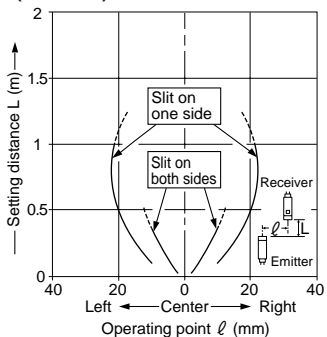
Angular deviation



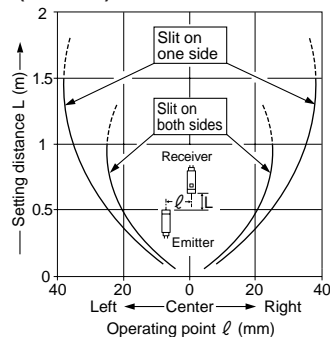
Parallel deviation with slit masks (0.5 X 2mm)



Parallel deviation with slit masks (1 X 3mm)



Parallel deviation with slit masks (2 X 4mm)



EQ-20

EQ-30

EX-40

RX

Amplifier Built-in Type

RX-LS200

CY

EX

PX-2

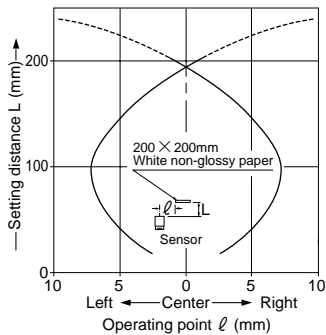
RT-610

EX

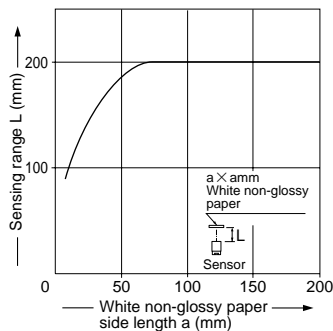
SENSING CHARACTERISTICS (TYPICAL)

EX-D200E Diffuse reflective type

Sensing field



Correlation between sensing object size and sensing range

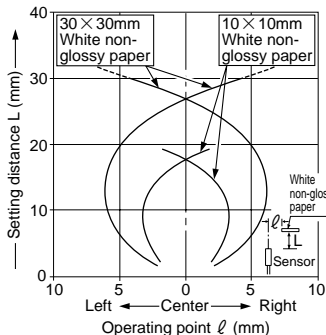


As the sensing object size becomes smaller than the standard size (white non-glossy paper 200×200mm), the sensing range shortens, as shown in the left graph.

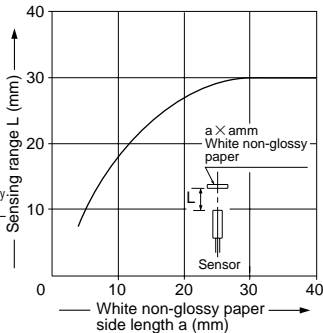
(For plotting the left graph, the sensitivity has been set such that a 200×200mm white non-glossy paper object is just detectable at a distance of 200mm.)

EX-D30S EX-D30M Diffuse reflective type

Sensing field



Correlation between sensing object size and sensing range



As the sensing object size becomes smaller than the standard size (white non-glossy paper 30×30mm), the sensing range shortens, as shown in the left graph.

PRECAUTIONS FOR PROPER USE

Refer to P.820~ for general precautions.



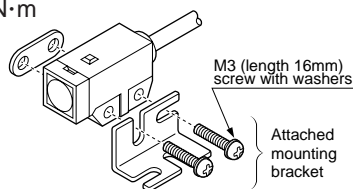
This product is not a safety sensor. Its use is not intended or designed to protect life and prevent body injury or property damage from dangerous parts of machinery. It is a normal object detection sensor.

Mounting

• The tightening torque should not exceed the value given below.

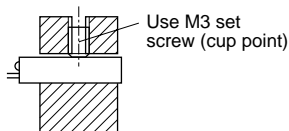
EX-M2E: 0.58N·m

EX-M2, EX-D200E: 0.39N·m



EX-D30S, EX-D30M

Mounting with a set screw

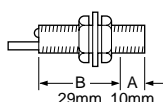


The tightening torque should be as follows.

EX-D30S: 0.24N·m

EX-D30M: 0.34N·m

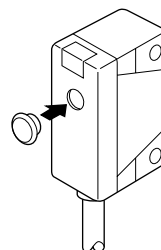
Mounting with nuts



A part	B part
2.45N·m	8.33N·m

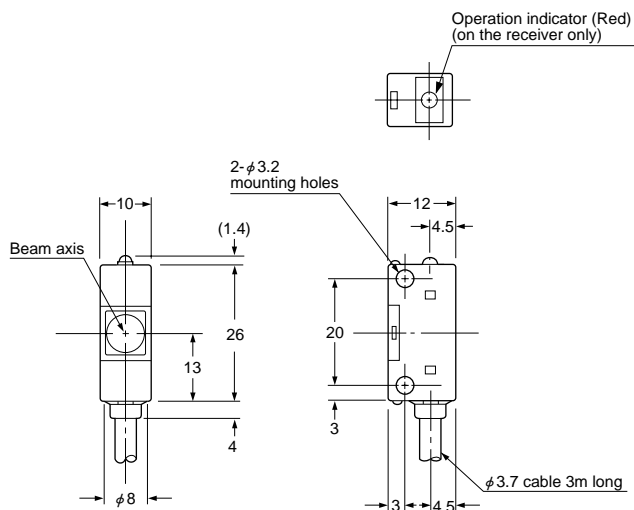
Others

- The output of **EX-D30S** and **EX-D30M** is not incorporated with a short-circuit protection circuit. Do not connect it directly to a power supply or a capacitive load.
- Do not use during the initial transient time (20ms) after the power supply is switched on.
- After the sensitivity is adjusted, fit the attached adjuster cap. (For **EX-D200E** only)

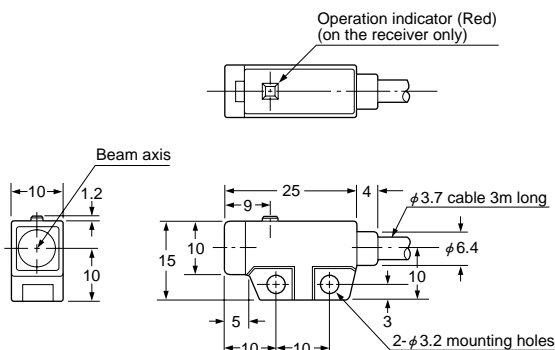


DIMENSIONS (Unit: mm)

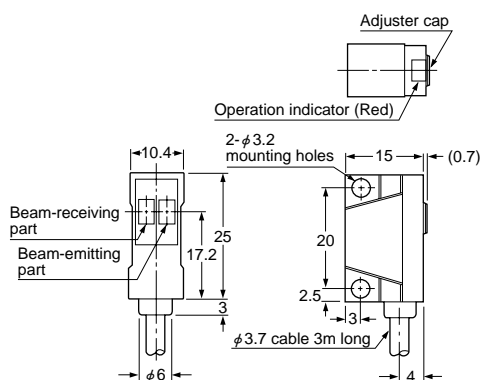
EX-M2E Sensor



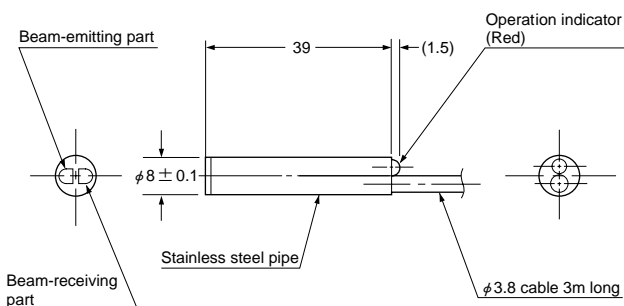
EX-M2 Sensor



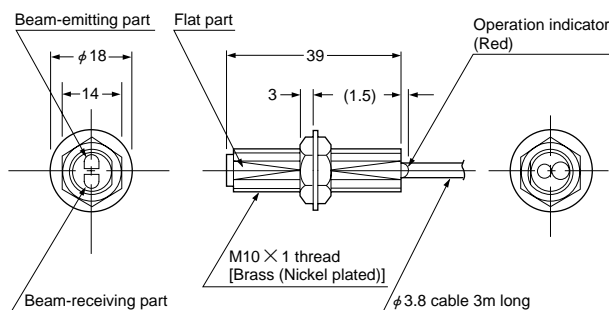
EX-D200E Sensor



EX-D30S Sensor



EX-D30M Sensor

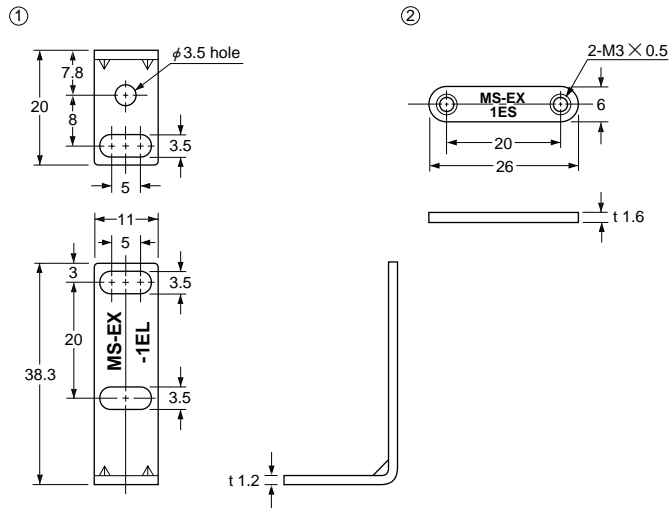


※Mounting hole cut-out dimensions: $\phi 9 \pm 0.5$ mm

※Mounting hole cut-out dimensions: $\phi 11 \pm 0.5$ mm

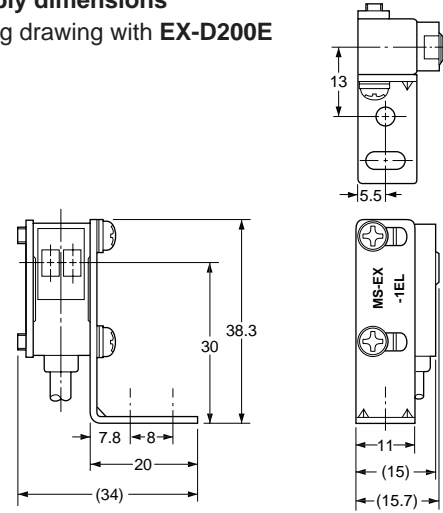
DIMENSIONS (Unit: mm)

MS-EX-1E Sensor mounting bracket (Accessory for EX-M2E and EX-D200E)

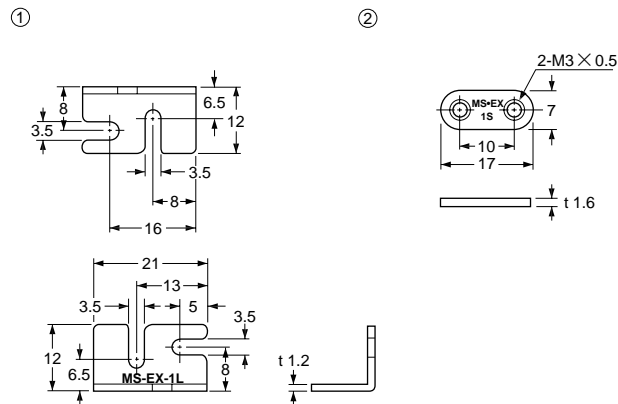


Material: Cold rolled carbon steel (SPCC)
(Uni-chrome plated)
Two M3 (length 16mm) screws with washers are attached.

Assembly dimensions Mounting drawing with EX-D200E

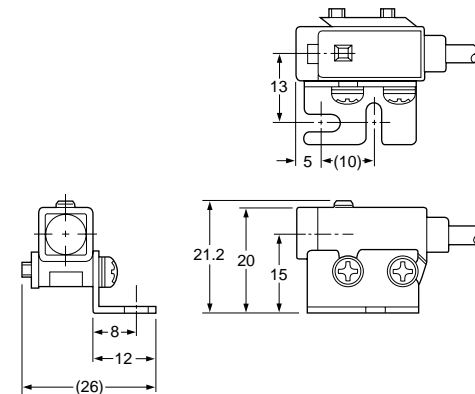


MS-EX-1 Sensor mounting bracket (Accessory for EX-M2)

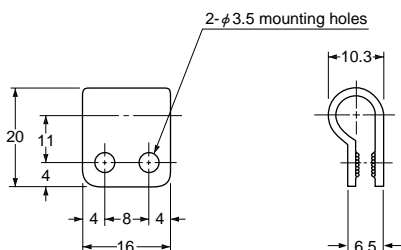


Material: Cold rolled carbon steel (SPCC)
(Uni-chrome plated)
Two M3 (length 16mm) screws with washers are attached.

Assembly dimensions

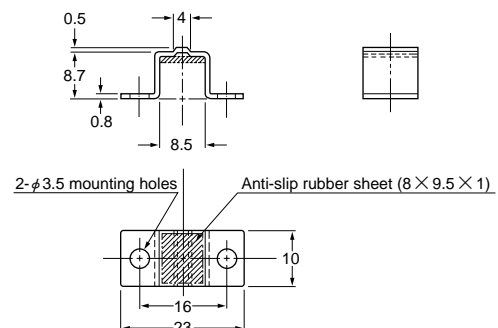


MS-SS8 Sensor mounting bracket (Accessory for EX-D30S)



Material: Nylon 66

MS-EX-3 Sensor mounting bracket for EX-D30S (Optional)



Material: Brass (Nickel plated)